



US00D951110S

(12) **United States Design Patent** (10) **Patent No.:** **US D951,110 S**
Menden et al. (45) **Date of Patent:** **** May 10, 2022**

(54) **CONTROLLER HOUSING**

- (71) Applicant: **Johnson Controls Technology Company**, Auburn Hills, MI (US)
- (72) Inventors: **Thomas J. Menden**, New Berlin, WI (US); **Mark A. Thoni**, Pewaukee, WI (US); **Hyunchul Kim**, Chicago, IL (US); **Thomas Richardson**, Chicago, IL (US); **Scott Thorne**, Chicago, IL (US)
- (73) Assignee: **Johnson Controls Tyco IP Holdings LLP**, Milwaukee, WI (US)
- (**) Term: **15 Years**
- (21) Appl. No.: **29/737,947**
- (22) Filed: **Jun. 12, 2020**

Related U.S. Application Data

- (62) Division of application No. 29/696,157, filed on Jun. 25, 2019, now Pat. No. Des. 888,589, which is a division of application No. 29/619,965, filed on Oct. 3, 2017, now Pat. No. Des. 853,865.
- (51) **LOC (13) Cl.** **10-04**
- (52) **U.S. Cl.**
USPC **D10/49; D13/158**
- (58) **Field of Classification Search**
USPC D10/49; D13/158
CPC H01H 2223/008; H01H 2223/01; H01H 2223/012; H01H 2223/014; H01H 2223/016; H01H 2223/018; H01H 2223/02; H01H 2223/022; H01H 2223/024; H01H 2223/026; H01H 2223/028; H01H 2223/00; H01H 2223/002; H01H 2223/003; H01H 2223/004; H01H 2223/006; H01H 2223/04

See application file for complete search history.

(56) **References Cited**

U.S. PATENT DOCUMENTS

- D394,842 S 6/1998 Kellstedt et al.
- D795,090 S 8/2017 Menden
- D829,573 S * 10/2018 Okazaki D10/49

OTHER PUBLICATIONS

Johnson Controls, Metasys System Field Equipment Controllers and Related Products Product Bulletin, Apr. 2016, 37 pages.

* cited by examiner

Primary Examiner — Antoine Duval Davis

(74) *Attorney, Agent, or Firm* — Foley & Lardner LLP

(57) **CLAIM**

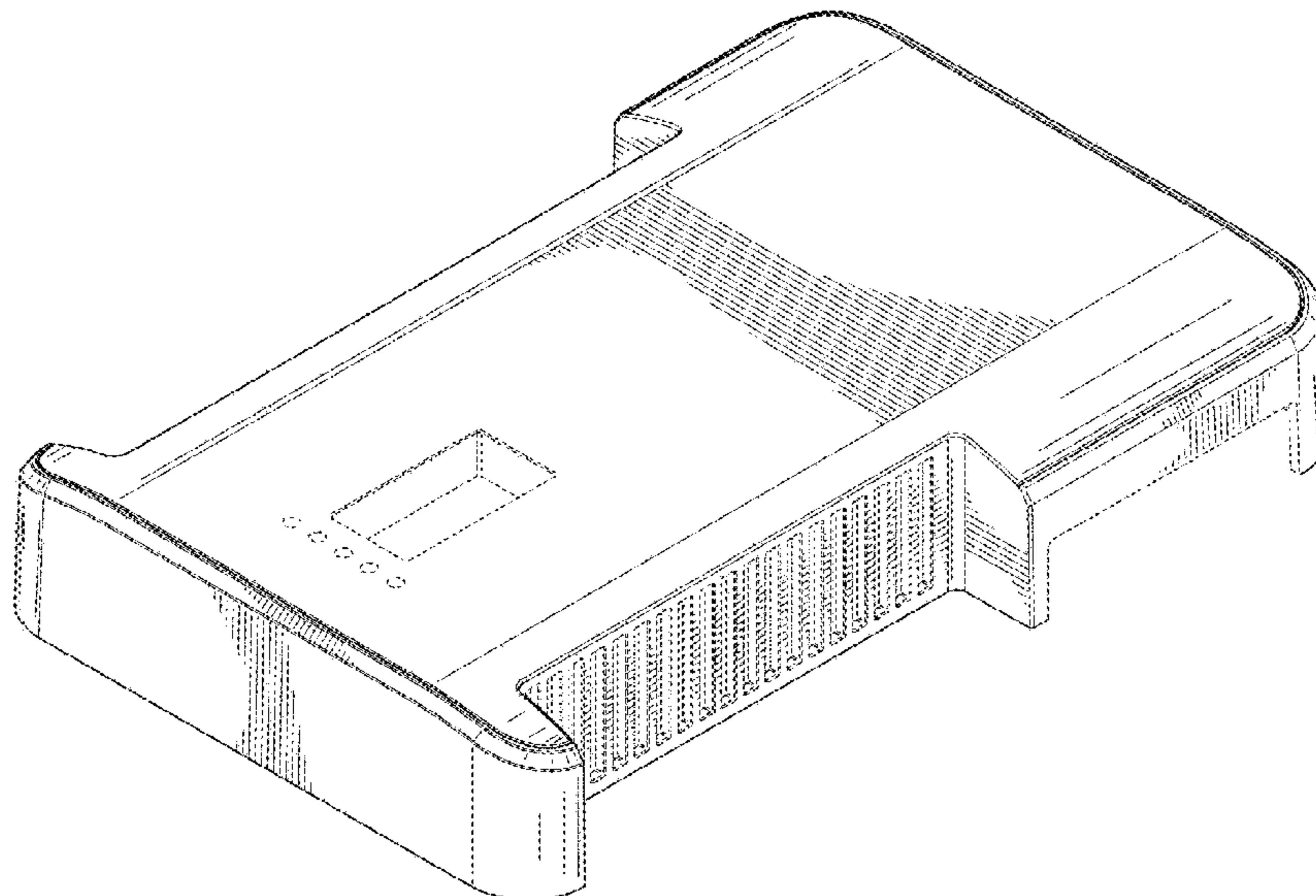
We claim the ornamental design for a controller housing, as shown and described.

DESCRIPTION

FIG. 1 is a top perspective view from above of the claimed design of a controller housing;
 FIG. 2 is a right side view of the claimed design of FIG. 1;
 FIG. 3 is a left side view of the claimed design of FIG. 1;
 FIG. 4 is a front side view of the claimed design of FIG. 1;
 FIG. 5 is a rear side view of the claimed design of FIG. 1;
 FIG. 6 is a top side view of the claimed design of FIG. 1;
 and,
 FIG. 7 is a bottom side view of the claimed design of FIG. 1.

Any portion of the article depicted in broken lines forms no part of the claimed design. Broken lines formed by equal length dashes show unclaimed portions of the design.

1 Claim, 5 Drawing Sheets



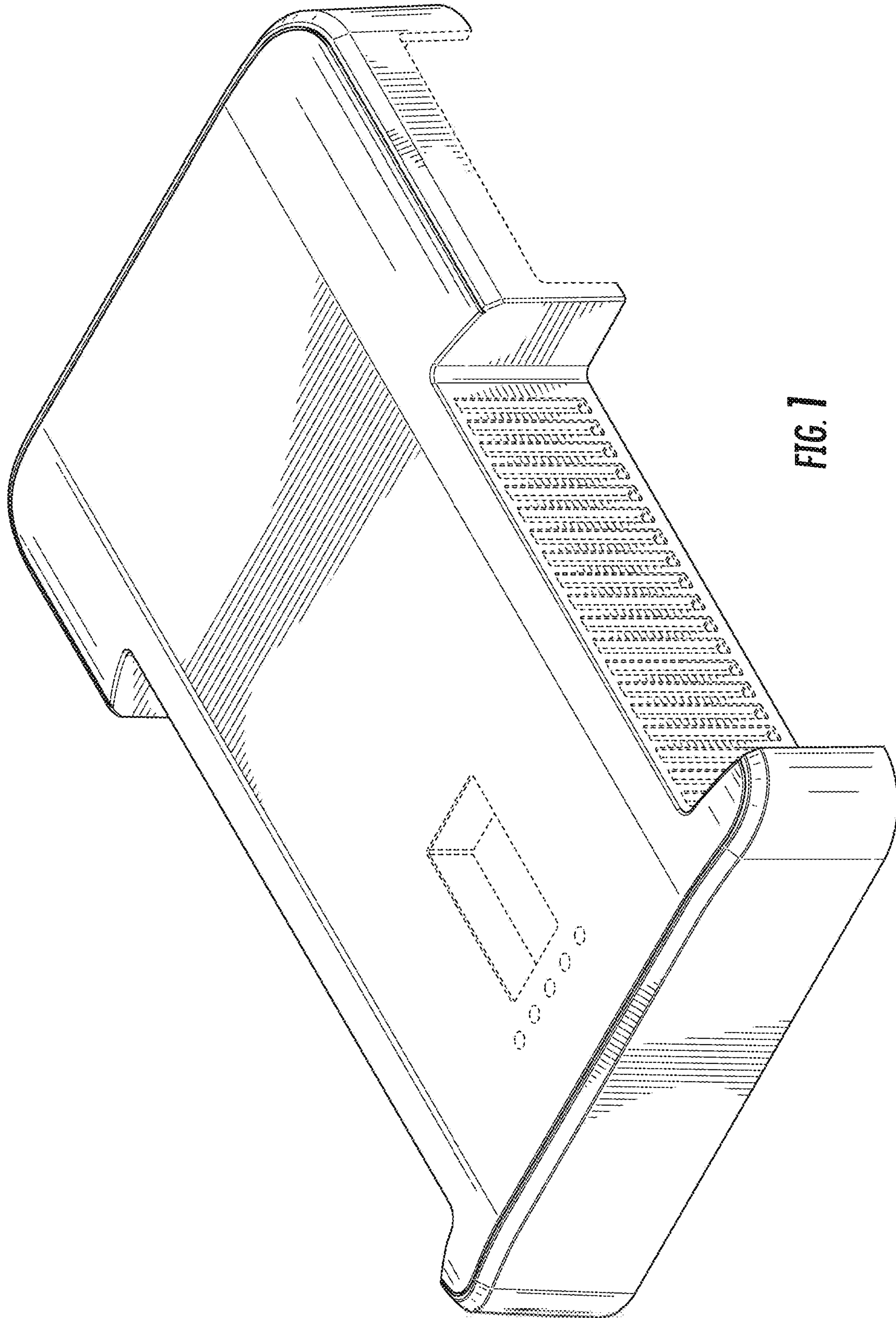


FIG. 1

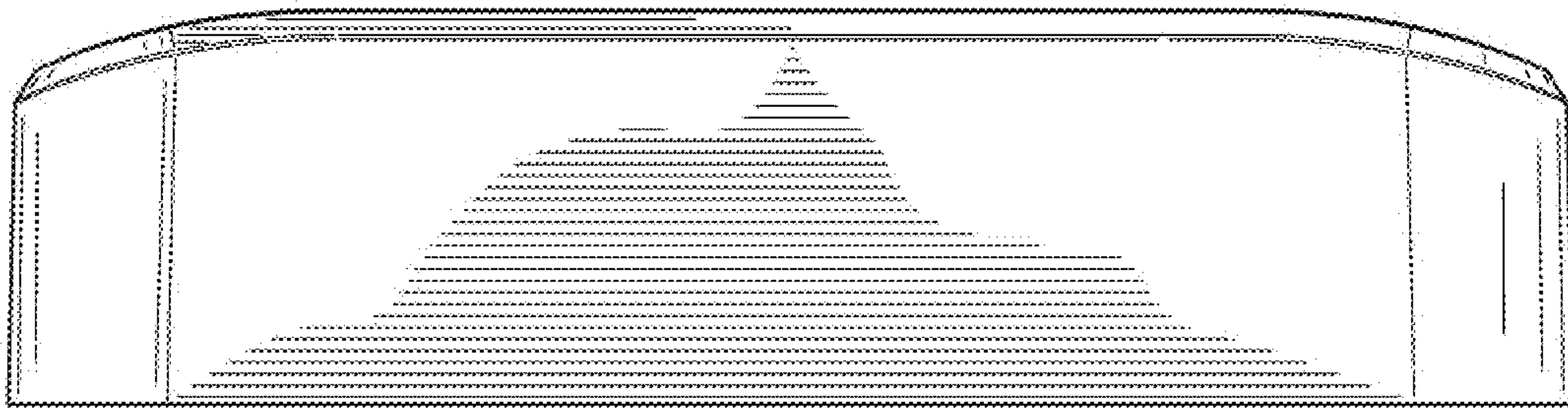


FIG. 2

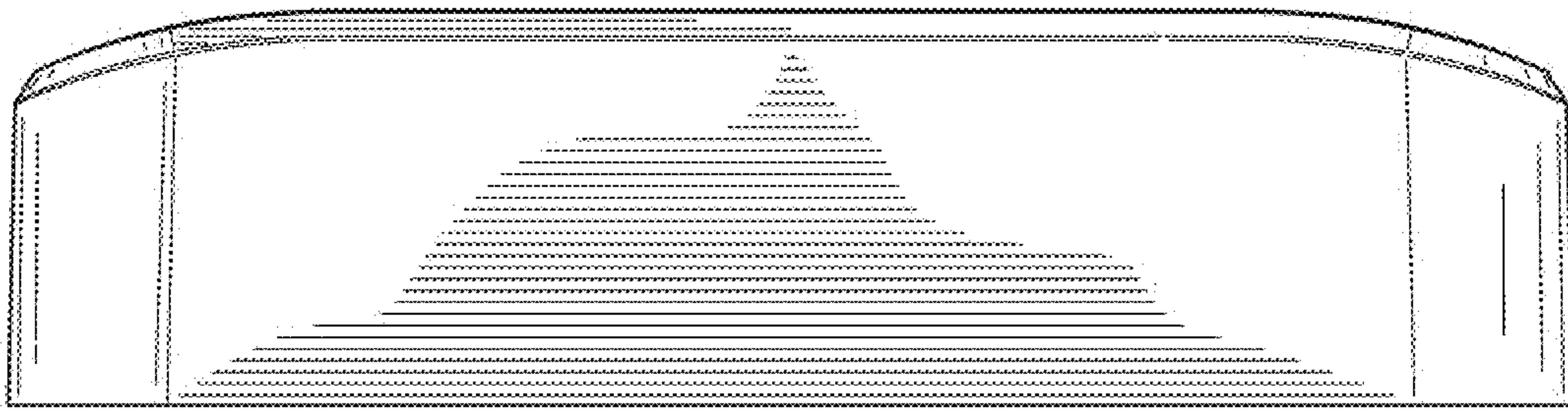


FIG. 3

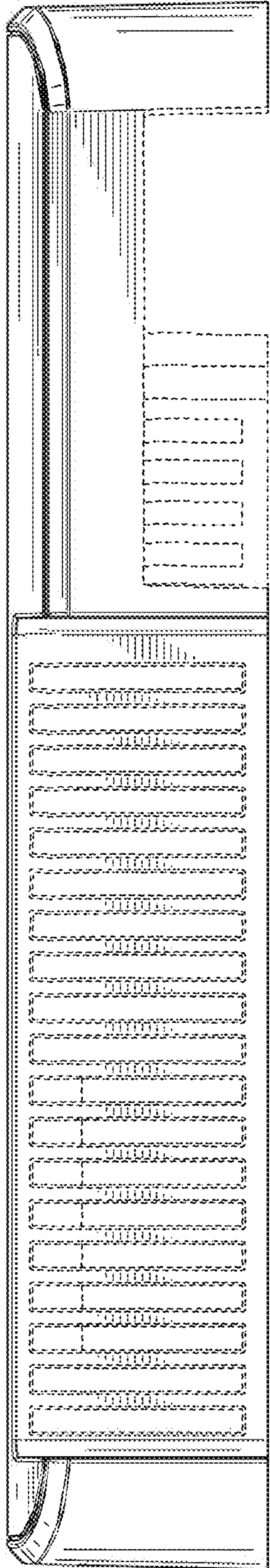


FIG. 4

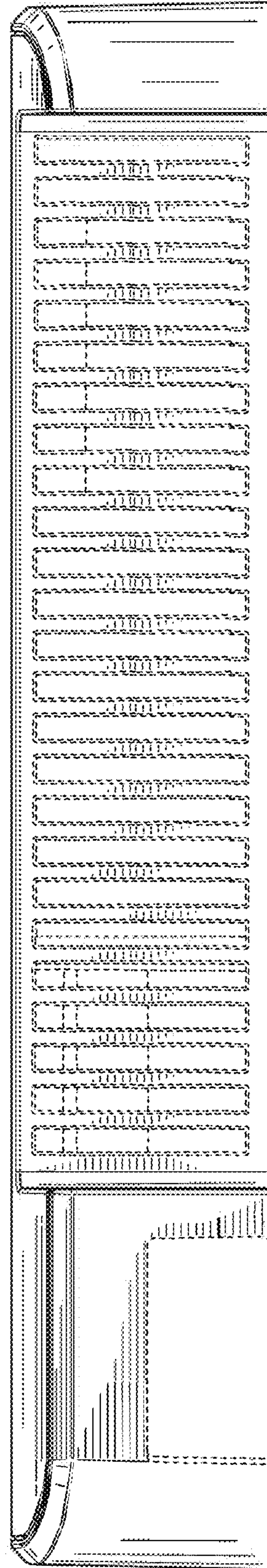


FIG. 5

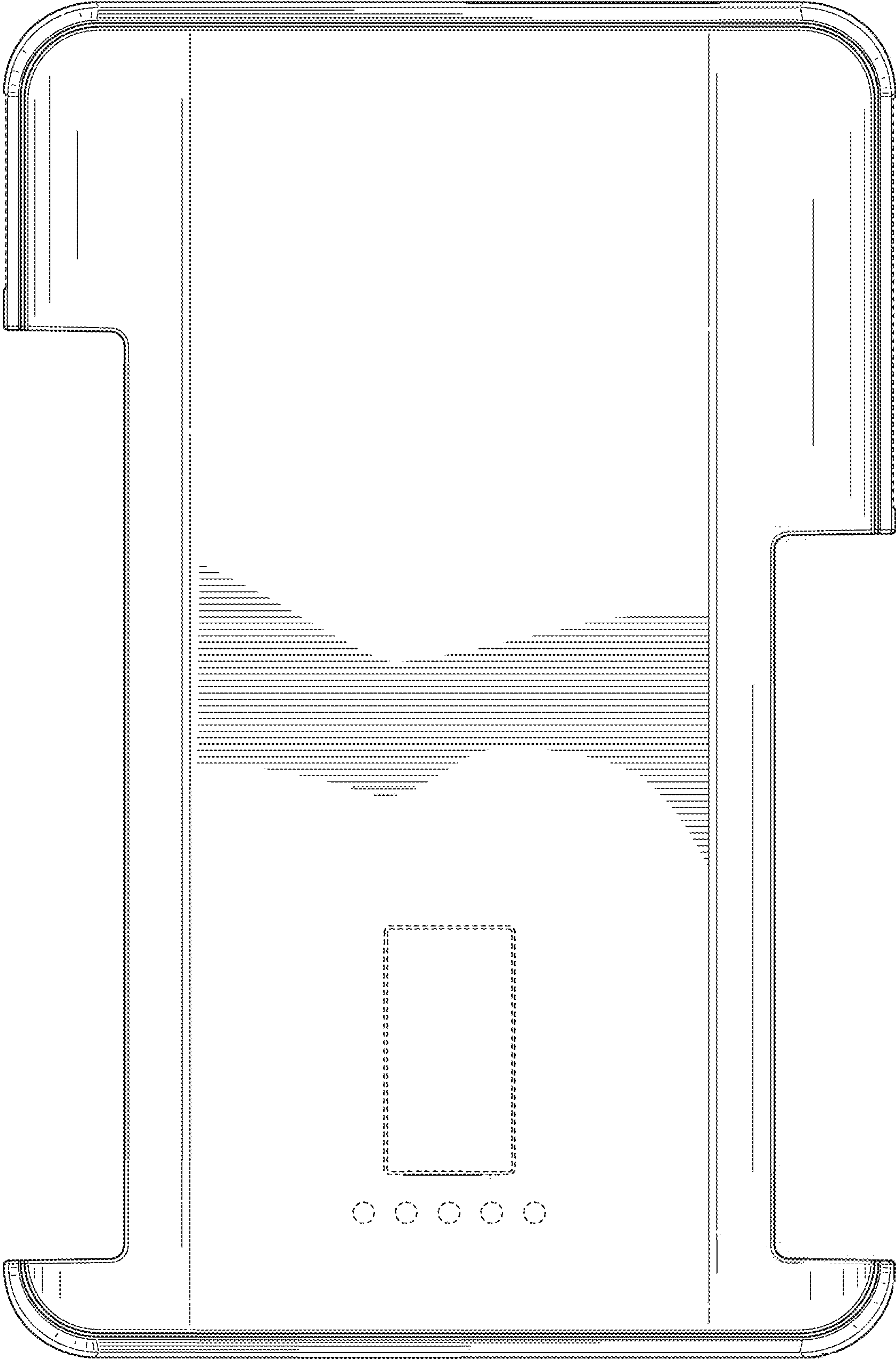


FIG. 6

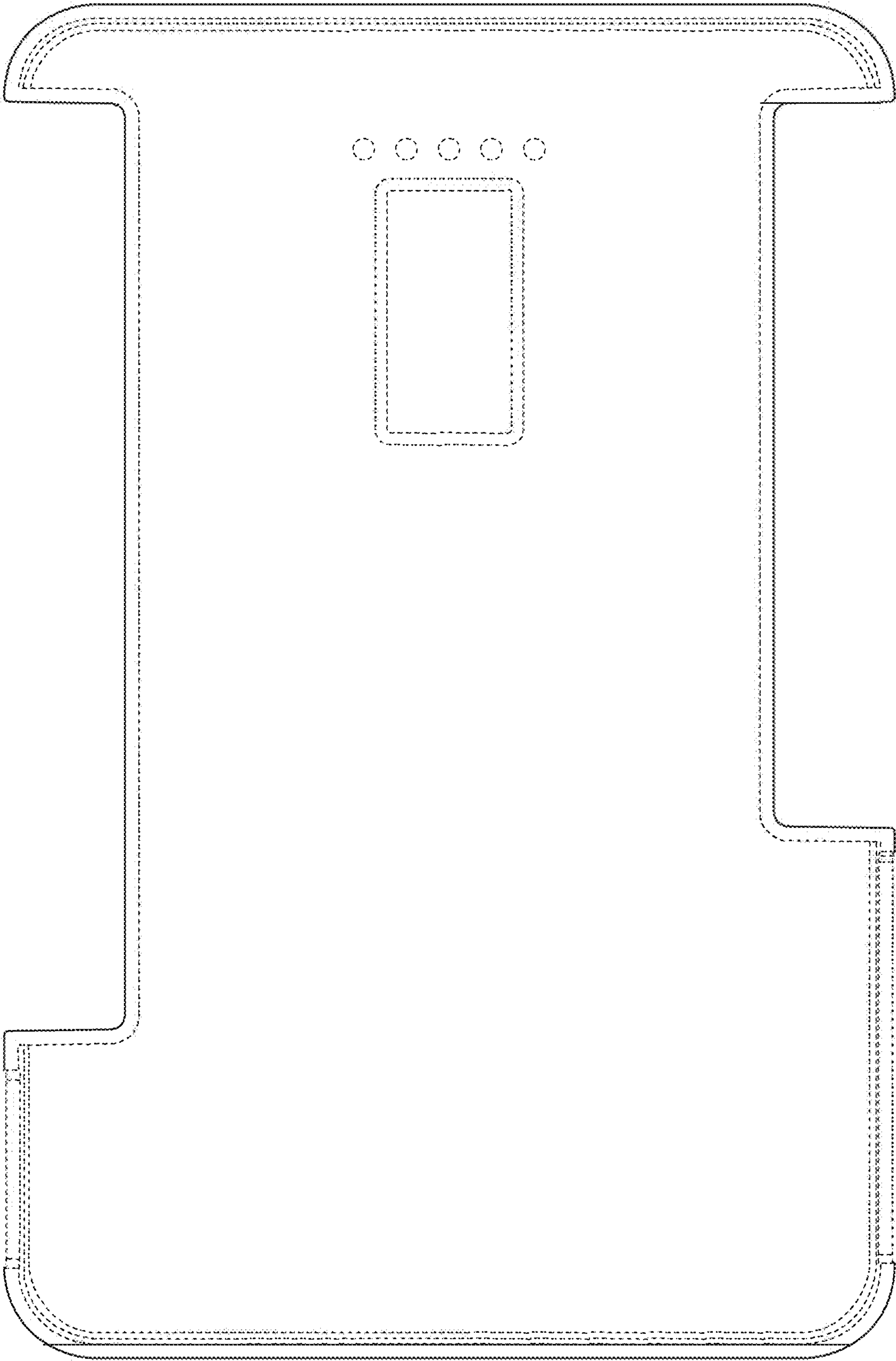


FIG. 7