



US00D951108S

(12) **United States Design Patent**
Huang et al.

(10) **Patent No.:** **US D951,108 S**

(45) **Date of Patent:** **** May 10, 2022**

- (54) **WATCH WITH DISPLAY**
- (71) Applicant: **Garmin Switzerland GmbH**,
Schaffhausen (CH)
- (72) Inventors: **Tai-Shun Huang**, New Taipei (TW);
Chuan-Hao Wen, New Taipei (TW);
Chien-Ju Chu, New Taipei (TW)
- (73) Assignee: **Garmin Switzerland GmbH**
- (**) Term: **15 Years**
- (21) Appl. No.: **29/748,894**
- (22) Filed: **Sep. 1, 2020**
- (51) **LOC (13) Cl.** **10-02**
- (52) **U.S. Cl.**
USPC **D10/38; D14/344**
- (58) **Field of Classification Search**
USPC D10/30-39, 65, 70; D11/3; D14/344;
D24/167, 186
CPC A44C 5/00; A44C 5/0007; A44C 5/0023;
A44C 5/0053; A44C 5/147; A44C 5/18;
G04G 17/00; G04G 17/08; G04G 17/083;
G04G 21/08
See application file for complete search history.

- D573,486 S 7/2008 Sanz
- D585,310 S 1/2009 Allison
- D592,975 S 5/2009 Markl
- D607,346 S 1/2010 Bove et al.
- D610,922 S 3/2010 Lammers-Meis et al.
- D633,812 S 3/2011 Yurman
- D658,079 S 4/2012 Emch
- D658,518 S 5/2012 Behling

(Continued)

OTHER PUBLICATIONS

Garmin Venu Sq Review | zdnet.com; posted by Matthew Miller
Sep. 23, 2020 [online]. © 2021 ZDNET, [retrieved Dec. 7, 2021]
from Internet: <<https://www.zdnet.com/product/garmin-venu-sq/>>
(Year: 2020).*

(Continued)

Primary Examiner — Katherine Glennon
(74) *Attorney, Agent, or Firm* — Samuel M. Korte; Max
M. Ali

(57) **CLAIM**

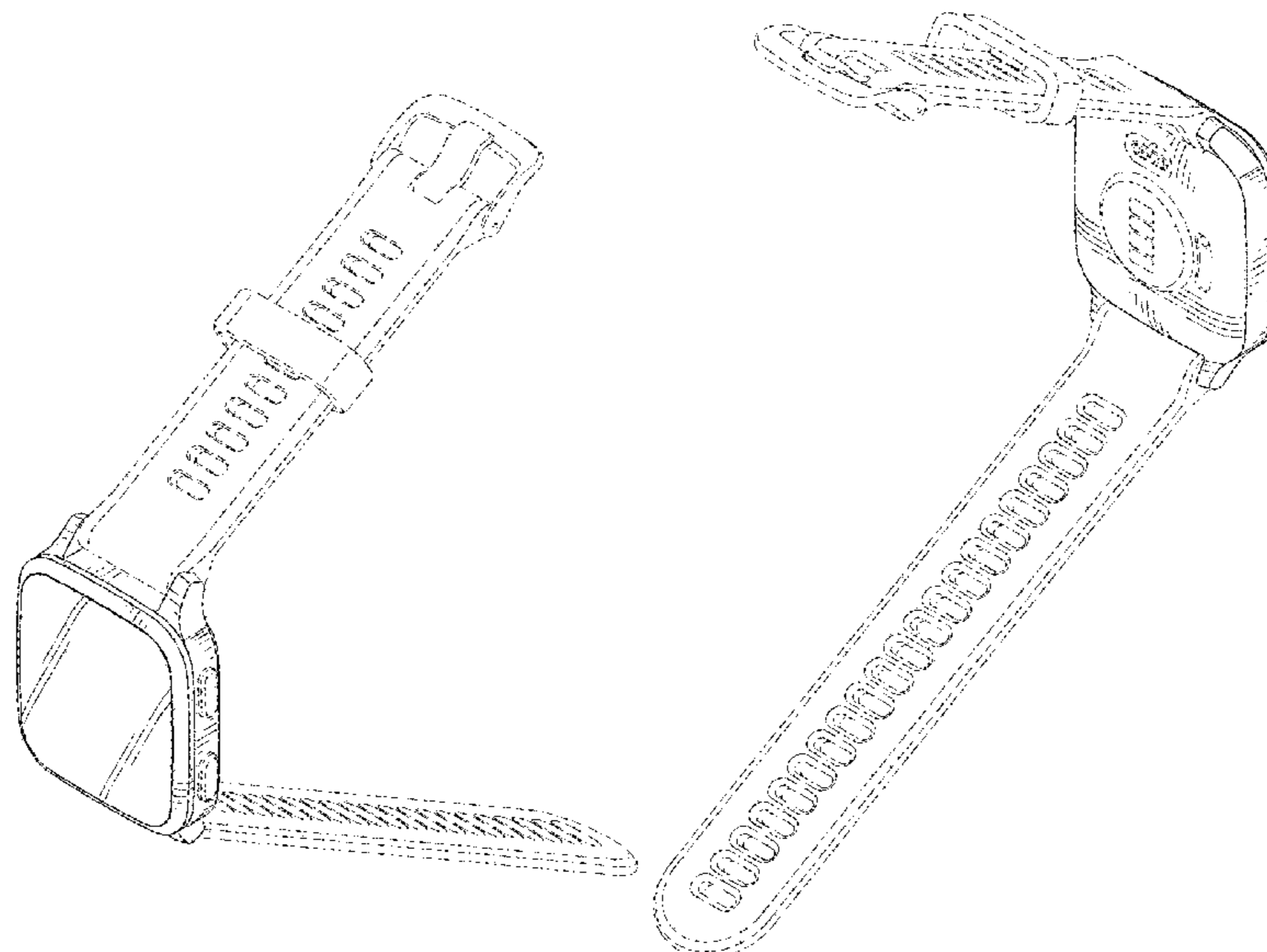
The ornamental design for a watch with display, as shown
and described.

DESCRIPTION

FIG. 1 is a front perspective view of a watch with display
according to the present invention;
FIG. 2 is a rear perspective view of the watch with display;
FIG. 3 is a front view of the watch with display;
FIG. 4 is a rear view of the watch with display;
FIG. 5 is a left side view of the watch with display;
FIG. 6 is a right side view of the watch with display;
FIG. 7 is a top view of the watch with display; and,
FIG. 8 is a bottom view of the watch with display.
The broken lines shown in the drawings represent portions
of the watch with display that form no part of the claimed
design.

1 Claim, 4 Drawing Sheets

- (56) **References Cited**
U.S. PATENT DOCUMENTS
- D222,784 S 12/1971 Granges
- 3,733,809 A 5/1973 Reiter et al.
- 3,740,944 A 6/1973 Chopard
- 3,901,023 A 8/1975 Uebelhardt
- D317,265 S 6/1991 Giolla et al.
- 5,226,023 A 7/1993 Grimm
- D417,158 S 11/1999 Krauss
- D459,241 S 6/2002 Bodino
- D471,115 S 3/2003 Buechner
- 6,577,558 B1 6/2003 Ricci
- D504,624 S 5/2005 Bodino
- D538,182 S 3/2007 Lalo



(56)

References Cited

U.S. PATENT DOCUMENTS

D660,727	S	5/2012	Parmigiani	
D661,206	S	6/2012	Register et al.	
D664,865	S	8/2012	Luk Ying Yee	
D682,712	S	5/2013	Lammers-Meis et al.	
D739,768	S *	9/2015	Hanshew	D10/30
D756,240	S	5/2016	Register et al.	
D802,587	S *	11/2017	Lee	D14/344
D805,406	S	12/2017	Register	
D808,961	S *	1/2018	Lee	D14/344
D836,465	S	12/2018	Register	
D839,753	S *	2/2019	Domke	D10/30
D844,458	S *	4/2019	Lillquist	D10/30
10,474,194	B1 *	11/2019	Ell	G06F 1/1656
D876,244	S *	2/2020	Park	D10/32
D889,459	S *	7/2020	Zhang	D14/344
D900,810	S *	11/2020	Ke	D14/344
D912,539	S	3/2021	Connor	
D912,540	S	3/2021	Connor	
D912,542	S *	3/2021	Moilanen	D10/38
D915,398	S *	4/2021	Yu	D14/344
D921,625	S	6/2021	Lee	
D922,376	S *	6/2021	Zheng	D14/344
D922,378	S *	6/2021	Lin	D14/344
D926,753	S *	8/2021	Wu	D14/341
D927,484	S *	8/2021	Wu	D14/344
D934,860	S *	11/2021	King	D14/344
D935,453	S *	11/2021	Gao	D14/344
2016/0261037	A1 *	9/2016	Chen	H01Q 1/44
2016/0344089	A1 *	11/2016	Baik	G04G 21/08

OTHER PUBLICATIONS

Moto 360 Sport, [site visited Oct. 1, 2019] <https://www.motorola.com.au/products/moto-360-sport>.

Etienne, Stefan, Samsung Galaxy Sport leak shows a sleek bezel-less smartwatch, <https://www.theverge.com/2019/2/4/18211261/samsung-galaxy-sport-leak-shows-a-sleek-bezel-less-smartwatch>.

Garmin Forerunner 405 Owner's Manual, published Jan. 2008.

Garmin Forerunner 610 Owner's Manual, published Mar. 2011.

Huawei Watch, Timeless Design, Smart Within; <http://consumer.huawei.com/en/wearables/huawei-watch/index.htm> published prior to Dec. 15, 2016.

Tissot T-Touch Titanium, <https://www.tissotwatches.com/en-gb/shop/tissot-t-touch-ii-titanium-gent-3.html>; published prior to Apr. 6, 2017.

Hublot Formula 1 King Power F1 Ceramic Limited SEALED, [site visited Nov. 16, 2017] <http://www.chrono24.com/hublot/formula-1-king-power-f1-ceramic-limited-sealed-id1818204.htm>; published prior to Dec. 15, 2016.

Raphael, Jr; Moto 360 Review: An elegant smartwatch with exceptional features, posted Sep. 15, 2014, <http://www.computerworld.com/article/2643100/moto-360-review-an-elegant-smartwatch-with-exceptional-features.html> published prior to May 8, 2015.

Cookoo, the connected watch, [site visited Oct. 14, 2015] <http://www.cookoo2.com/>; published prior to May 21, 2015.

Linde Werdelin, Spidolite watches, <http://www.lindewerdelin.com/products/watches/spidolite>; published prior to May 21, 2012.

Ralph Lauren, la collection automotive, http://www.ralphlauren.fr/category/index.jsp?categoryId=53519341&ab=fr_FR-Watches_LP_Slot_5_S1; published prior to Dec. 15, 2016.

Suunto sports watches for athletes, runners, outdoor adventurers, [site visited Feb. 23, 2017, <http://www.suunto.com/en-us/Product-search/See-all-Sports-Watches/?sortby=-New&searchTerm=traverse&page=0>]; published prior to Dec. 15, 2016.

Tag Heuer calibre heuer 01—chronograph titanium 43 mm, [site visited Nov. 23, 2016] <http://www.tagheuer.com/int-en/luxury-watches/carrera/carrera-calibre-heuer-01-chronograph-titanium-43mm-grey-others-bracelet>; published prior to Aug. 15, 2016.

Tag Heuer Carrera Calibre 1887 Automatic Chronograph 43 MM, [site visited Nov. 23, 2016] <http://www.tagheuer.com/int-en/luxury-watches/carrera/carrera-calibre-186-7automatic-chronograph43-mm-black-steel-bracelet-car2a10-ba0799>; published prior to Aug. 15, 2016.

Watches/carrera/carrera-calibre-186-7automatic-chronograph43-mm-black-steel-bracelet-car2a10-ba0799; published prior to Aug. 15, 2016.

Tissot T-touch tactile watch, [site visited Feb. 23, 2017] <http://www.t-touch.com/en-en/#!/t-touch-expert-solar>; published prior to Dec. 15, 2016.

Practical Travel Gear, travel gear reviews, Timex Expedition E-compass Titanium Watch, [site visited Oct. 10, 2018] <http://practicaltravelgear.blogspot.com/2008/07/timex-expedition-e-compass-titanium.html>; published Jul. 2008.

Amazon Fashion, Salvatore Ferragamo Men's, black carbon fiber and back rubber watch, [site visited Nov. 16, 2017] <https://www.amazon.com/Salvatore-Ferragamo-F55LGO6877-S113-Carbon/dp/B007-O20FO8>; published prior to Apr. 6, 2017.

Amazon Fashion, Welder Men's k28-7100 Chronograph Black Ion-Plated Stainless Steel Round Watch, <https://www.amazon.com/Welder-K28-7100-Chronograph-Ion-Plated-Stainless/dp/B001PRFJOY>; published prior to Dec. 15, 2016.

Smith, Craig, Suunto X10, GPS Running Watch Review, [site visited Oct. 10, 2018] <http://www.gpsrunningwatchreview.com/reviews/suunto-x10-review>; published Nov. 2010.

Audemars Piguet—Swiss Luxury Watches, royal oak offshore, [site visited Nov. 16, 2017] <https://www.audemarspiguet.com/en/watch-collection/royal-oak-offshore/>; published prior to Dec. 15, 2016.

Bloomingdales—the greatest gift guide; https://www.bloomingdales.com/shop/product/g-shock-g-steel-53.8mm?ID=2725-010&pl_country=US&cm_mmc=Google-PLA-ADC--Jewelry%20%26%20Accessories-NA--_G-shock--869232168203USA&CAWELAID=120156070005934945&CAGSPN=pla&CAAGID=47685648719&CATCI=pla-383074889643&CATARGETID=120156070006241384&cadevice=-c&gclid=EA1alOobChM1vMbeIL3B1-wlV6DsCh3QDwNMEAQYASABEqJNgvD_BwE; published prior to Dec. 15, 2016.

Suunto Spartan, <https://www.suunto.com/en-us/Sports-Watch-Collections/Suunto-Spartan-Collection/>; published prior to Jun. 15, 2018.

Suunto Kailash, <https://www.suunto.com/en-us/Watch-Collection/Suunto-Kailash-Collection/> published prior to Jun. 15, 2018.

Suunto Elementum Ventus Brown Leather, [site visited Oct. 10, 2018] <https://www.suunto.com/en-us/Products/Sports-Watches/Suunto-Elementum-Ventus/Suunto-Elementum-Ventus-Brown-Leather>; published prior to Apr. 6, 2017.

Suunto Ambit In-Depth Review, www.dcrainmaker.com/2012/04/suunto-ambit-in-depth-review.html; published prior to Sep. 29, 2015.

Suunto Ambit2 Black, integrated GPS watch with heart rate monitoring option, weather functions and suunto apps for all outdoor sports, www.suunto.com/en-US/Products/Sports-Watches/Suunto-Ambit2/Suunto-Ambit2--Black; published prior to Sep. 29, 2015.

Casio Mt G G-Shock Watch, www.theaaronloy.com/wp-content/uploads/2013/07/Casio-MT-G-G-Shock-Watch.jpg published prior to Sep. 29, 2015.

Casio Edifice 8, www.watchtowhat.com/wp-content/uploads/2015/03/casio-edifice-8.jpg; published prior to Sep. 29, 2015.

Suunto Core, the outdoor watch, <https://www.suunto.com/en-us/Sports-Watch-Collections/Suunto-Core-Collection/>; published prior to Apr. 6, 2017.

Lee, Juhee, U.S. Appl. No. 29/701,145; Watch With Display; Filed Aug. 8, 2019.

Apple Watch, to wear it is to love it, [site visited Dec. 16, 2015] <http://www.apple.com/watch/>; published prior to Jan. 25, 2016, published prior to Sep. 1, 2020.

Printout from <https://www.timex.com/timex-metropolitan-s-36mm-silicone-strap-watch/Timex-Metropolitan-S-36mm-Silicone-Strap-Watch.html>, published prior to Sep. 1, 2020.

Printout from <https://www.fitbit.com/global/us/products/smartwatches/versa>, published prior to Sep. 1, 2020.

Printout from <https://www.newegg.com/p/2T2-00X0-00037>, published prior to Sep. 1, 2020.

Printout from <https://www.amazfit.com/en/>, published prior to Sep. 1, 2020.

Printout from <https://consumer.huawei.com/en/wearables/watch-fit/>, published prior to Sep. 1, 2020.

(56)

References Cited

OTHER PUBLICATIONS

LG G Watch Review—CNET, [site visited Jan. 12, 2017] <https://www.cnet.com/products/lg-g-watch/review/>; published prior to Jan. 25, 2016.

* cited by examiner

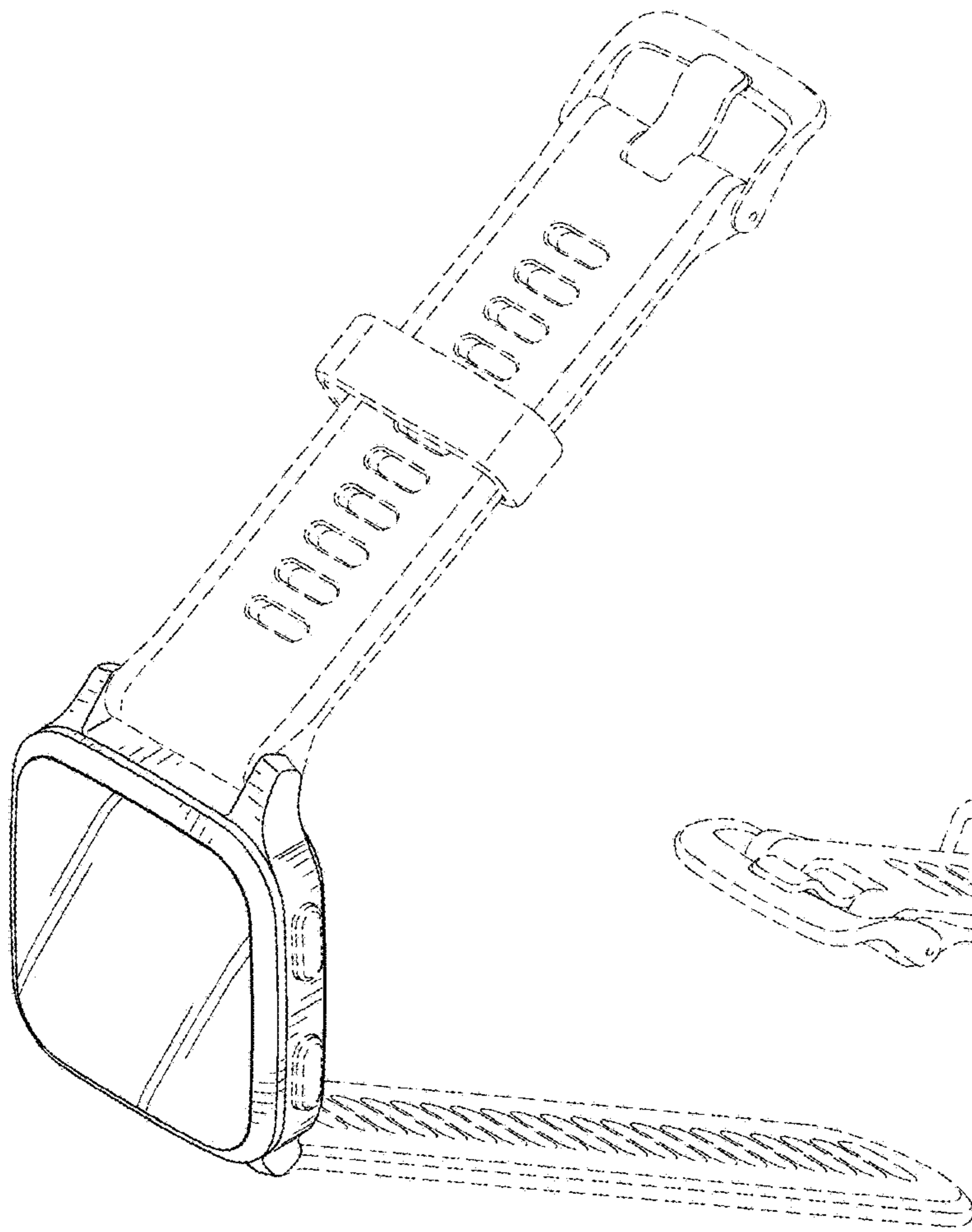


Fig. 1

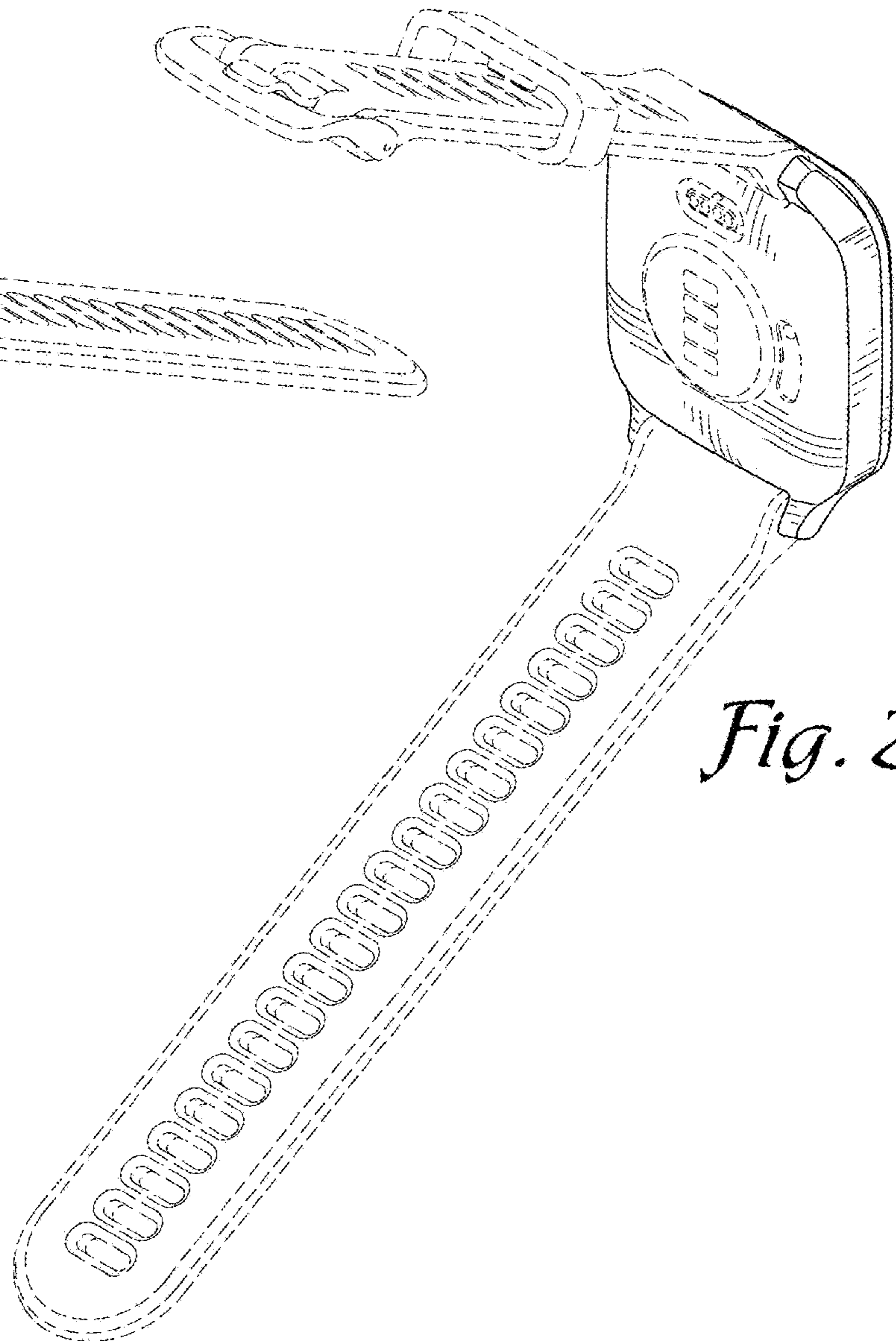


Fig. 2

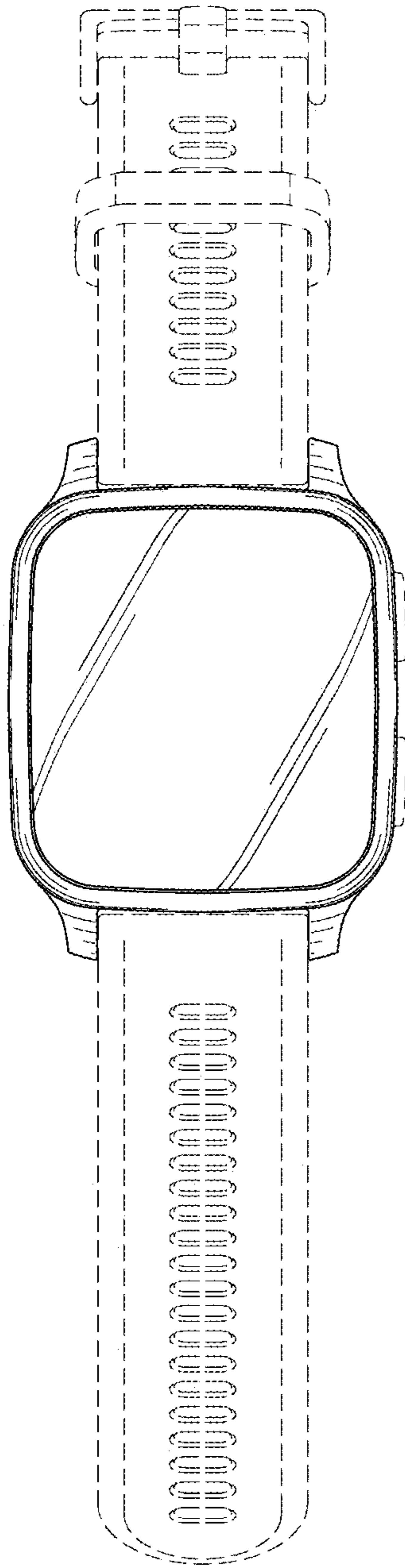


Fig. 3

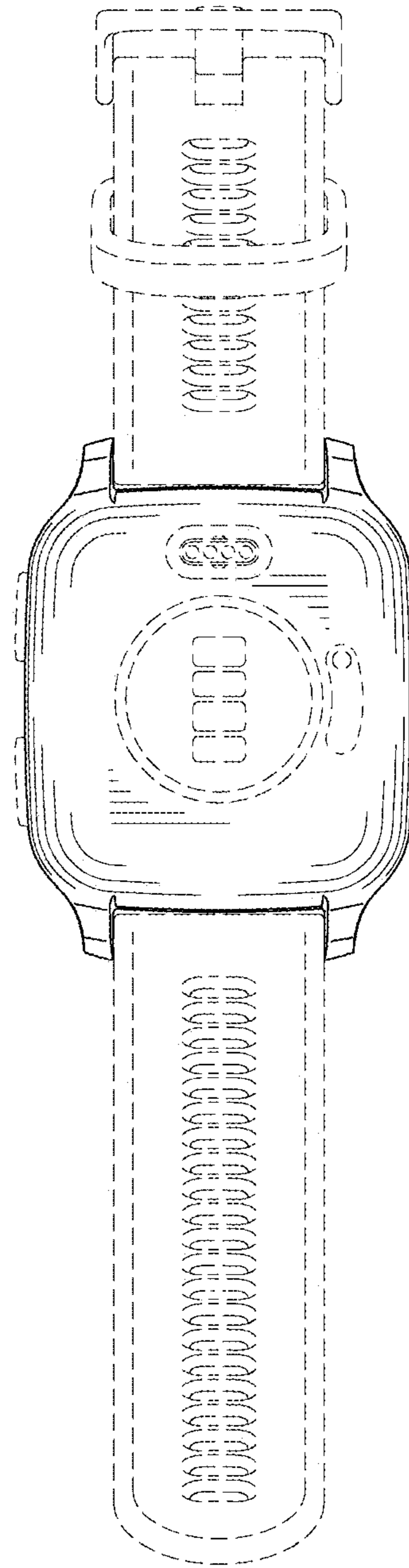
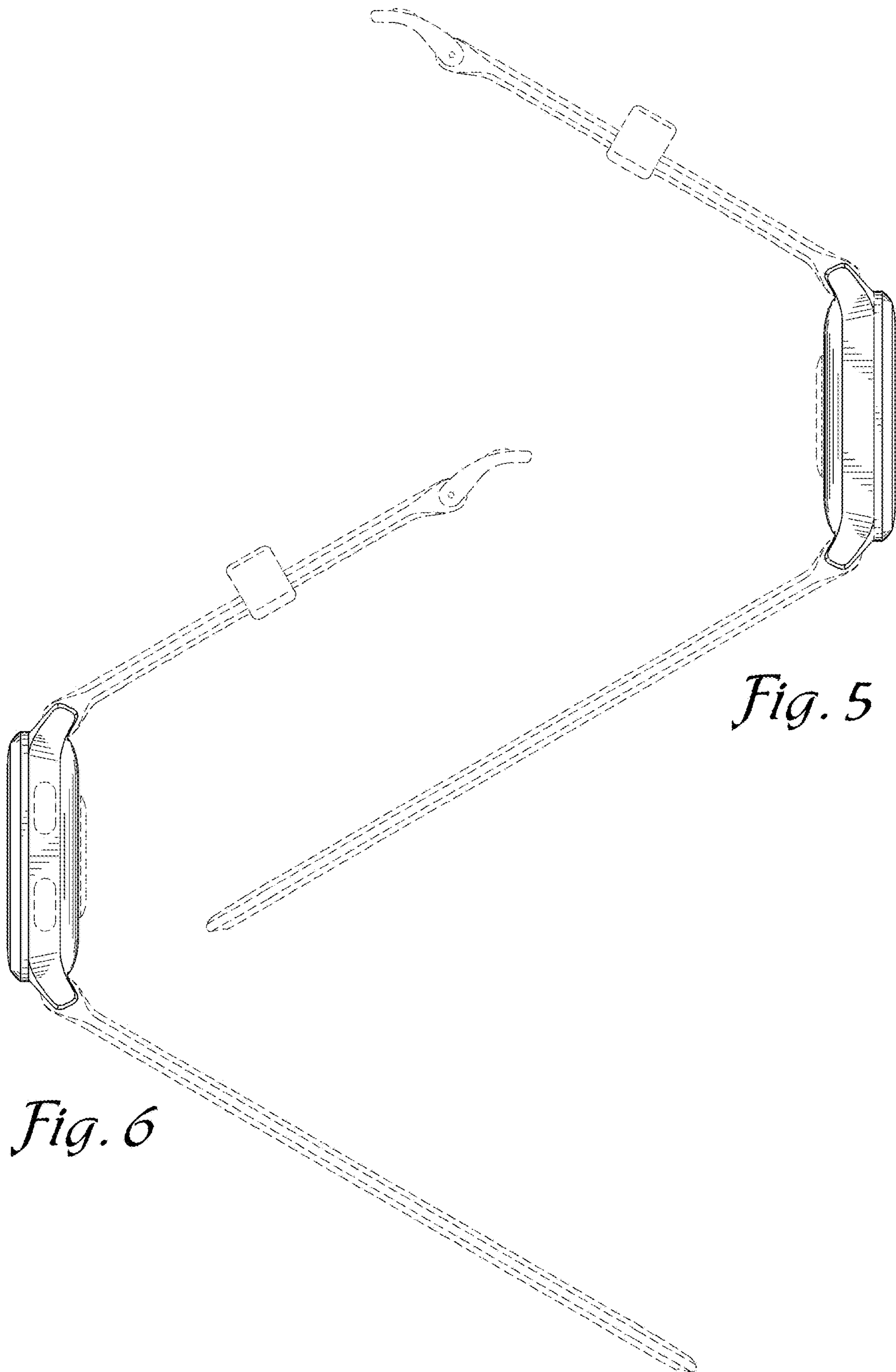


Fig. 4



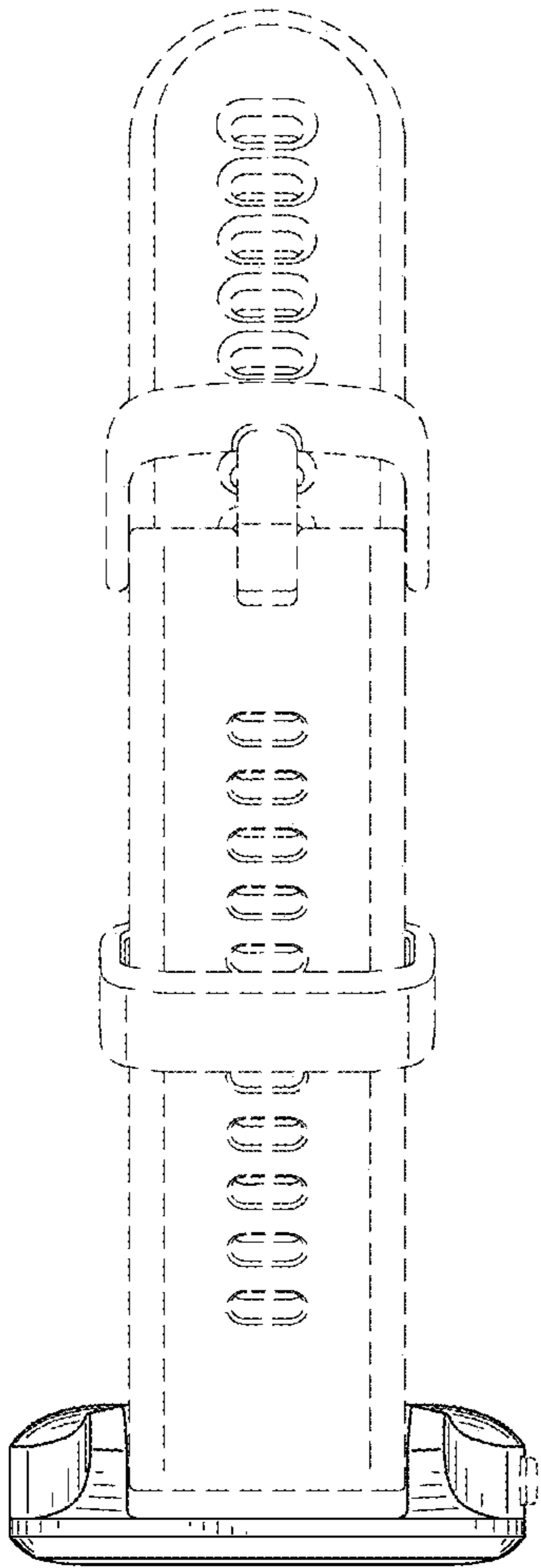


Fig. 7

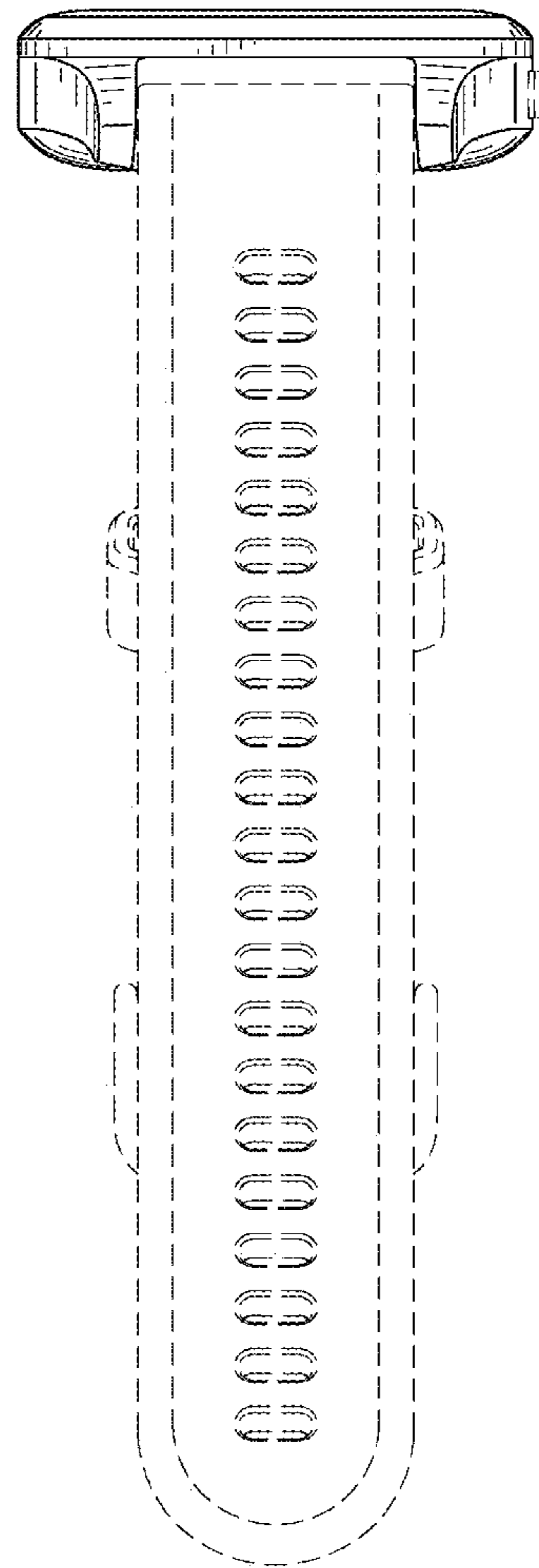


Fig. 8