



US00D951106S

(12) **United States Design Patent**
Luo

(10) **Patent No.:** **US D951,106 S**

(45) **Date of Patent:** **** May 10, 2022**

(54) **CLOCK**

(71) Applicant: **Shenzhen Shuo Yu Technology co., LTD**, Shenzhen (CN)

(72) Inventor: **Yonglin Luo**, Dongguan (CN)

(**) Term: **15 Years**

(21) Appl. No.: **29/779,393**

(22) Filed: **Apr. 19, 2021**

(30) **Foreign Application Priority Data**

Dec. 25, 2020 (CN) 202030805953.1

(51) **LOC (13) Cl.** **10-01**

(52) **U.S. Cl.**
USPC **D10/15**

(58) **Field of Classification Search**
USPC D10/1-7, 15, 21-29, 40-41;
D14/170-172, 203.1, 204; D13/108
CPC G04G 13/00; G04G 13/02; G04G 13/021;
G04G 13/028; G04G 17/00; G04G 17/08;
G04G 17/086; G04G 21/00; G04G 21/08
See application file for complete search history.

(56) **References Cited**

U.S. PATENT DOCUMENTS

D241,772 S * 10/1976 Igo D14/171
D250,252 S * 11/1978 Booty D10/15
D267,319 S * 12/1982 Van De Ven D10/15
D268,011 S * 2/1983 Bryk D10/15
D311,691 S * 10/1990 Krolopp D10/15

D319,399 S * 8/1991 Ritchie D10/28
D335,310 S * 5/1993 Kurnow D16/221
D437,788 S * 2/2001 Pamos
D452,165 S * 12/2001 Sato D10/15
D467,508 S * 12/2002 Kwok D10/15
D471,113 S * 3/2003 Merk D10/15
D475,635 S * 6/2003 Kiu D10/15
D558,764 S * 1/2008 Kuo D14/230
D585,652 S * 2/2009 Kuo D6/308
D612,268 S * 3/2010 Sadler D10/15
D613,685 S * 4/2010 Ju D13/108
D654,381 S * 2/2012 Petersen
D895,585 S * 9/2020 Ruhman D14/230
D898,591 S * 10/2020 Long D10/15
D933,067 S * 10/2021 Parfitt D14/371
D936,571 S * 11/2021 Long D13/108

* cited by examiner

Primary Examiner — Katherine Glennon

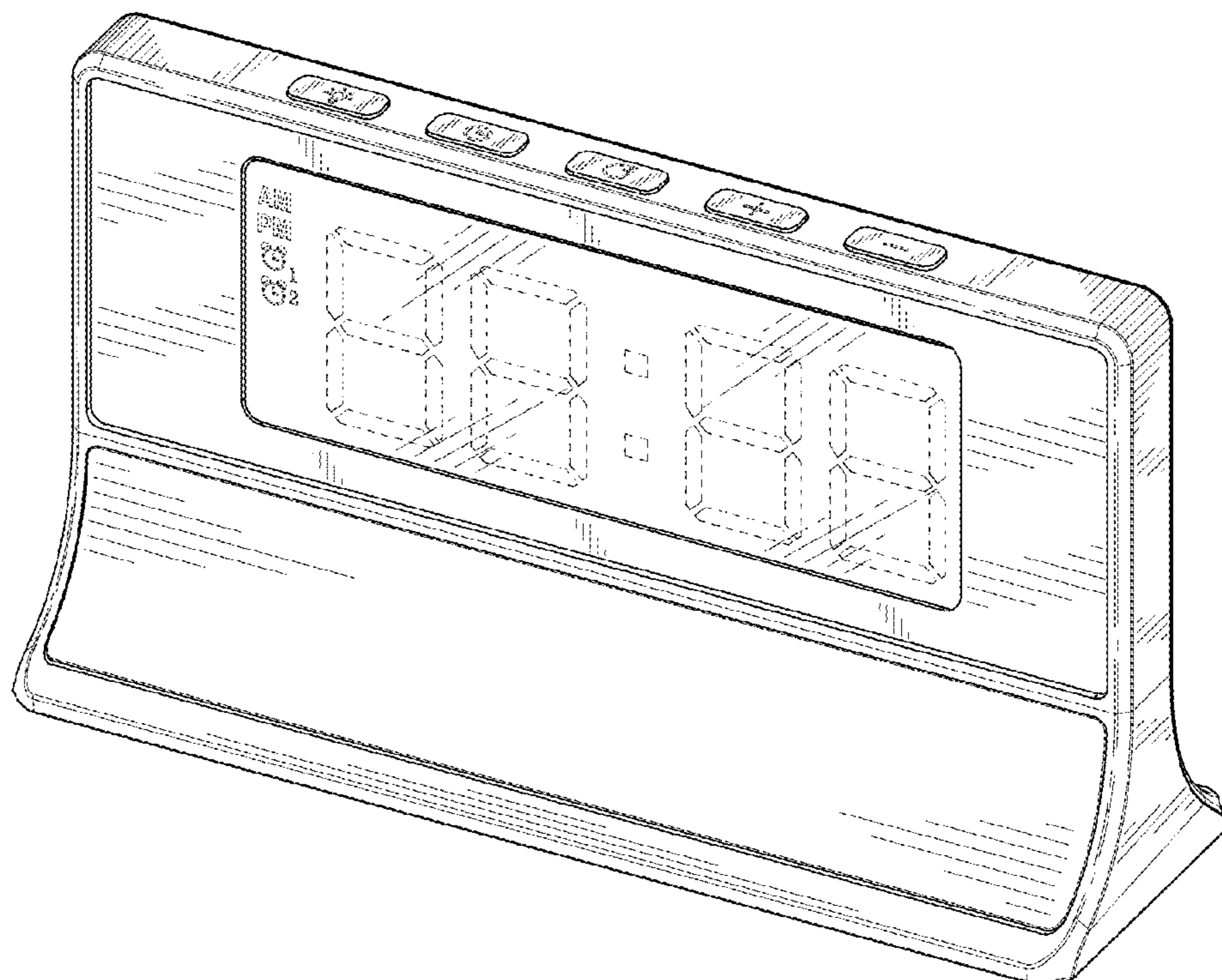
(57) **CLAIM**

The ornamental design for a clock, as shown and described.

DESCRIPTION

FIG. 1 is a perspective view of a clock showing my new design;
FIG. 2 is a front view thereof;
FIG. 3 is a back view thereof;
FIG. 4 is a left side view thereof;
FIG. 5 is a right side view thereof;
FIG. 6 is a top plan view thereof; and,
FIG. 7 is a bottom plan view thereof.
The broken lines in the drawings depict portions of the clock that form no part of the claimed design.

1 Claim, 7 Drawing Sheets



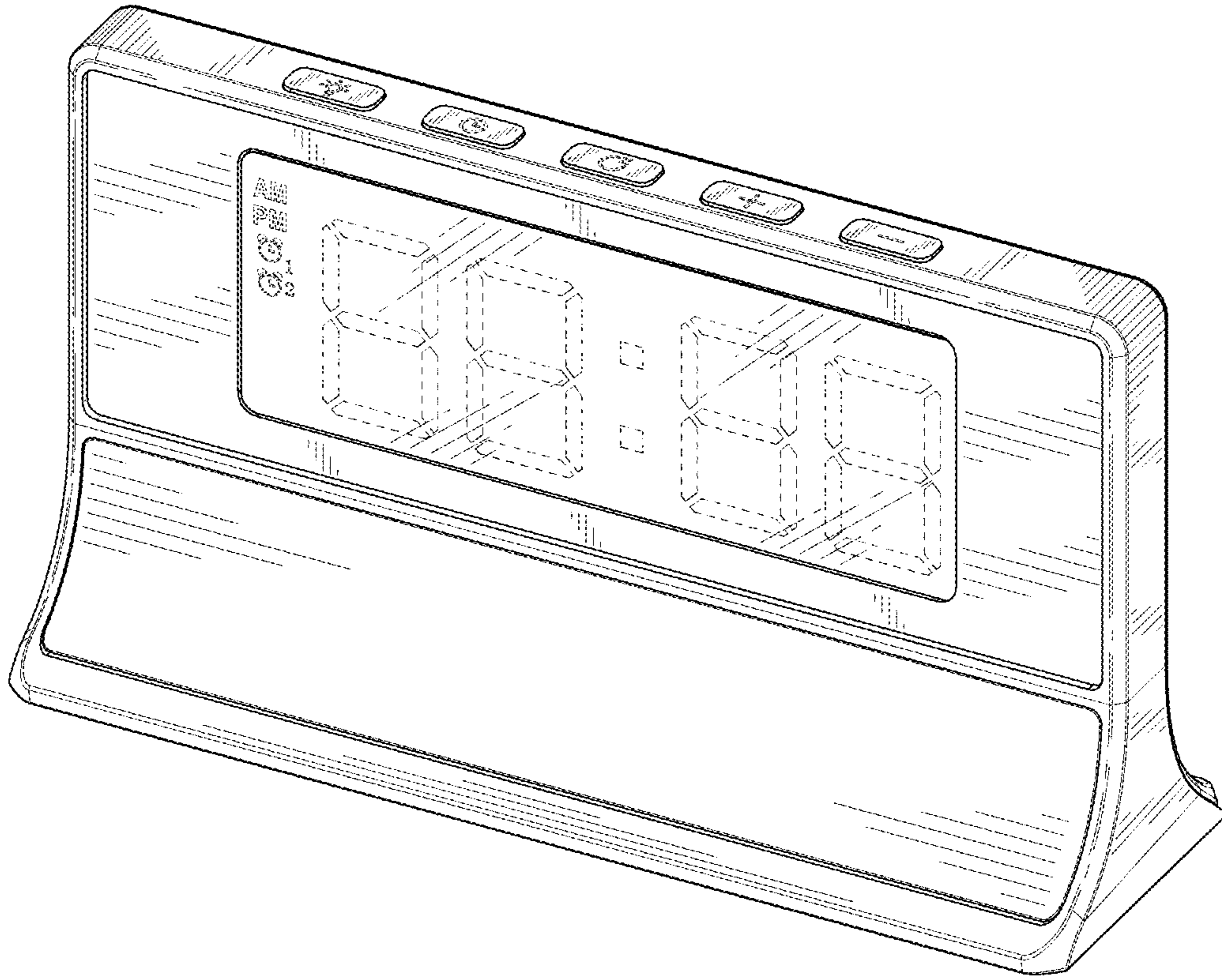


FIG. 1

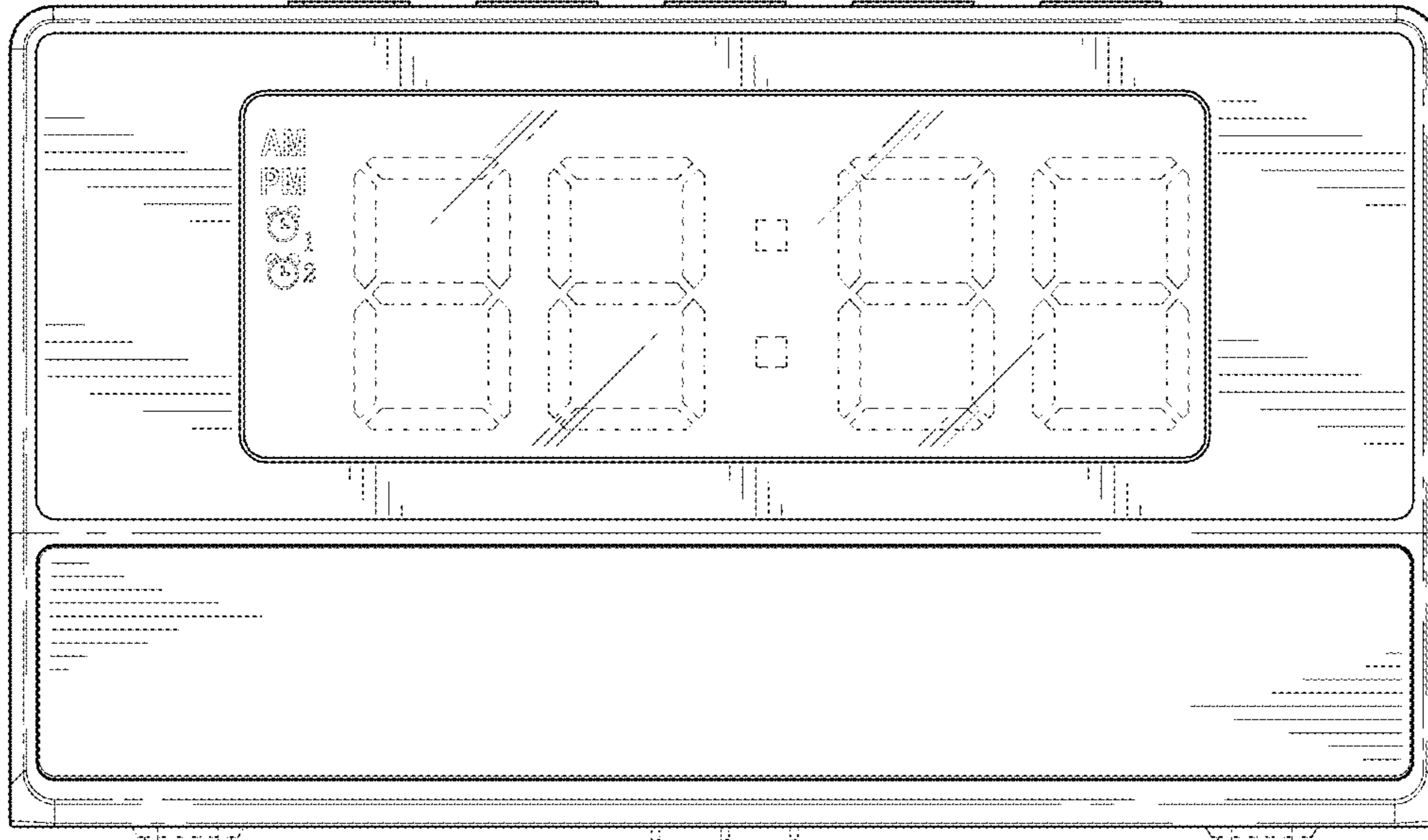


FIG. 2

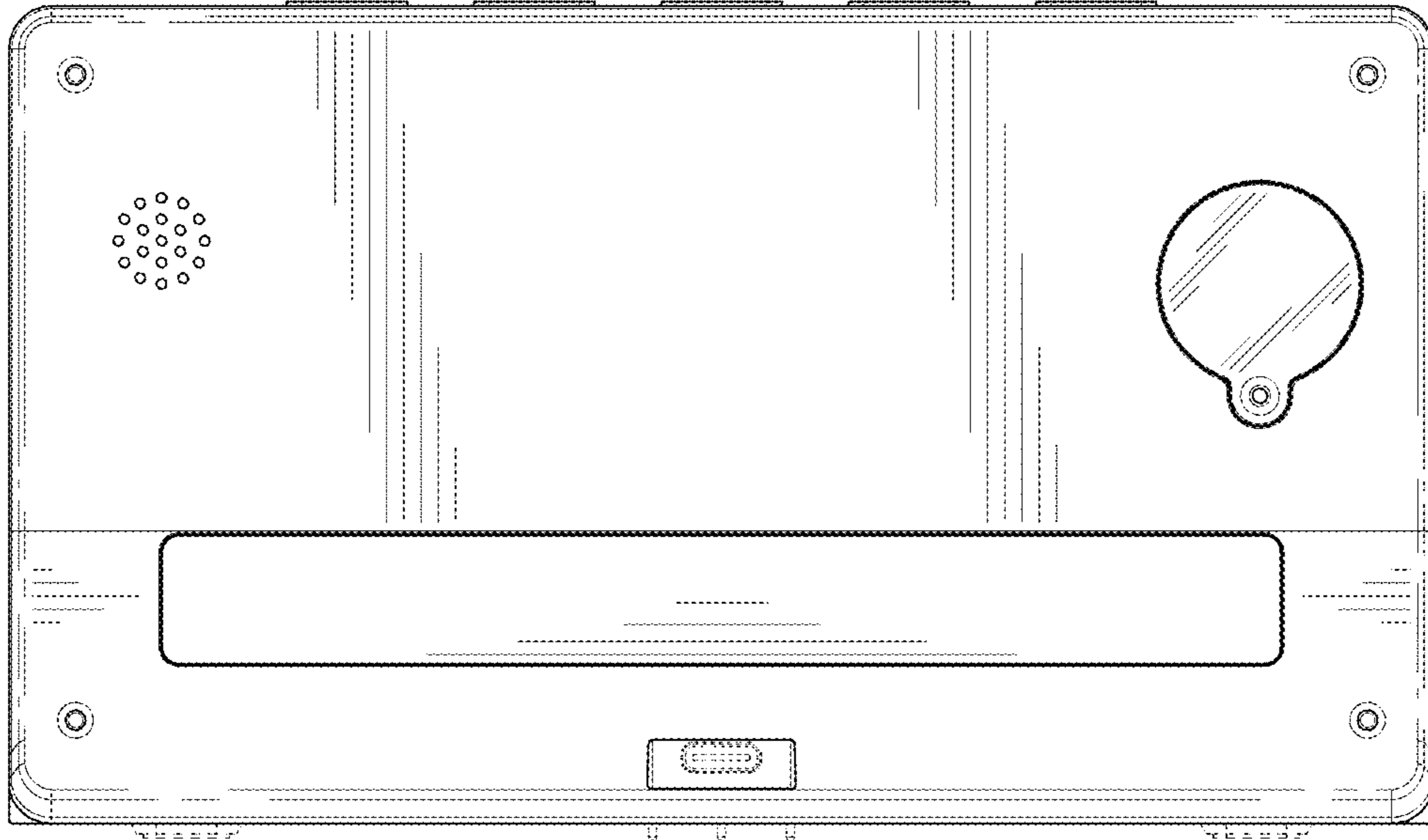


FIG. 3

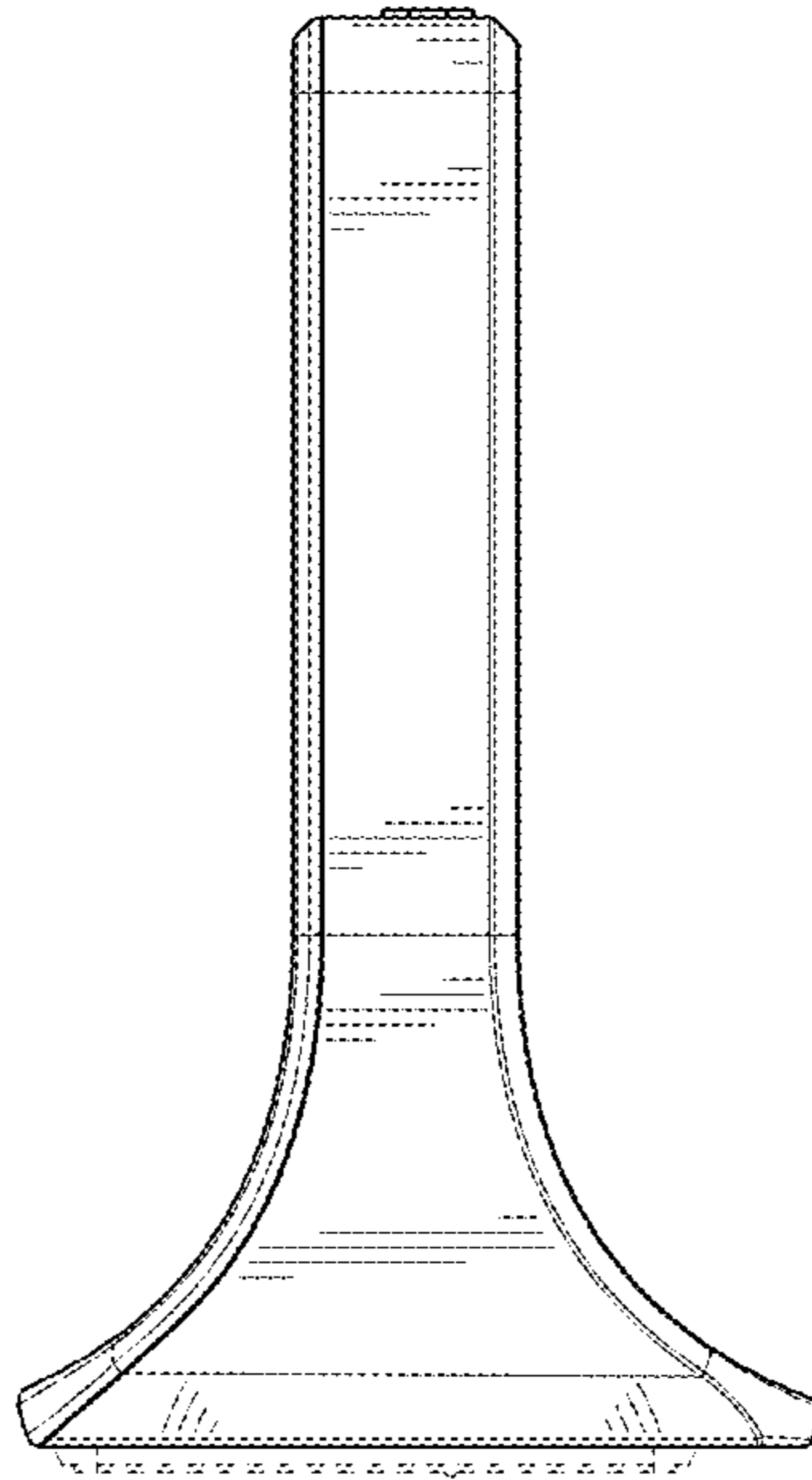


FIG. 4

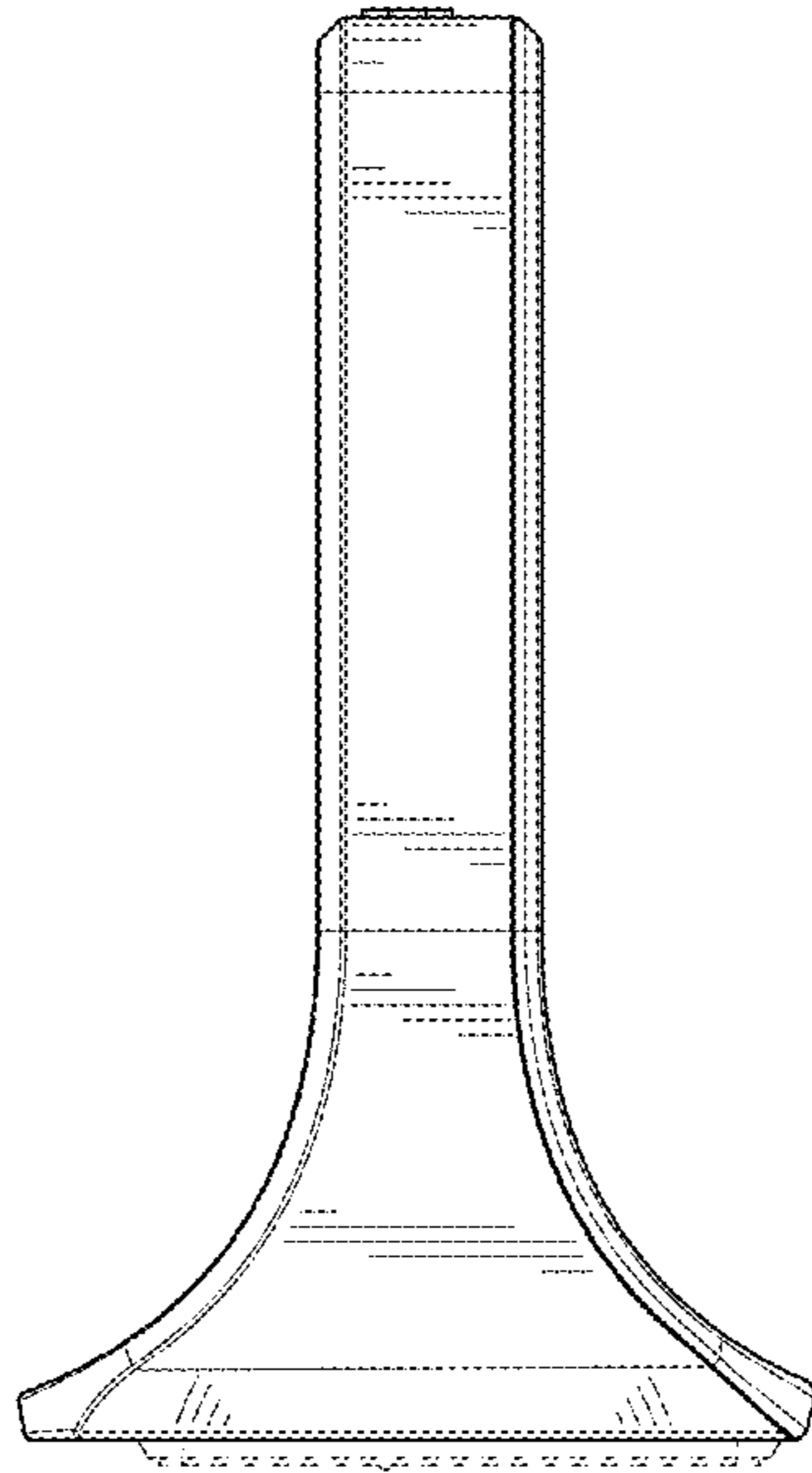


FIG. 5

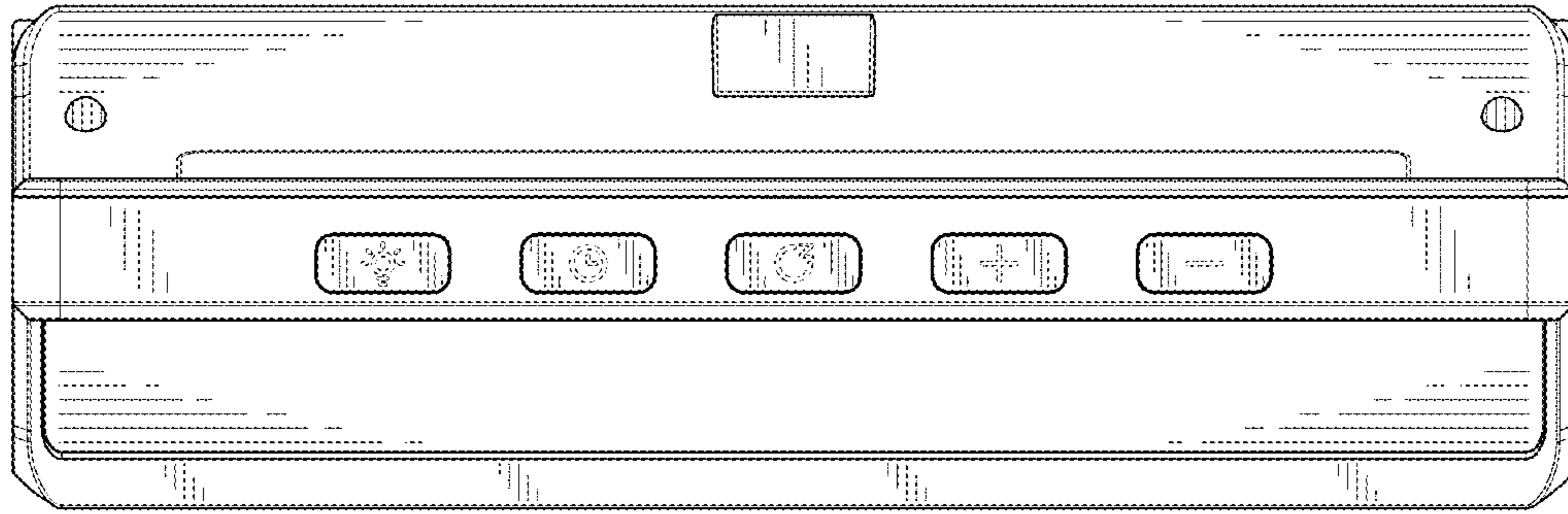


FIG. 6

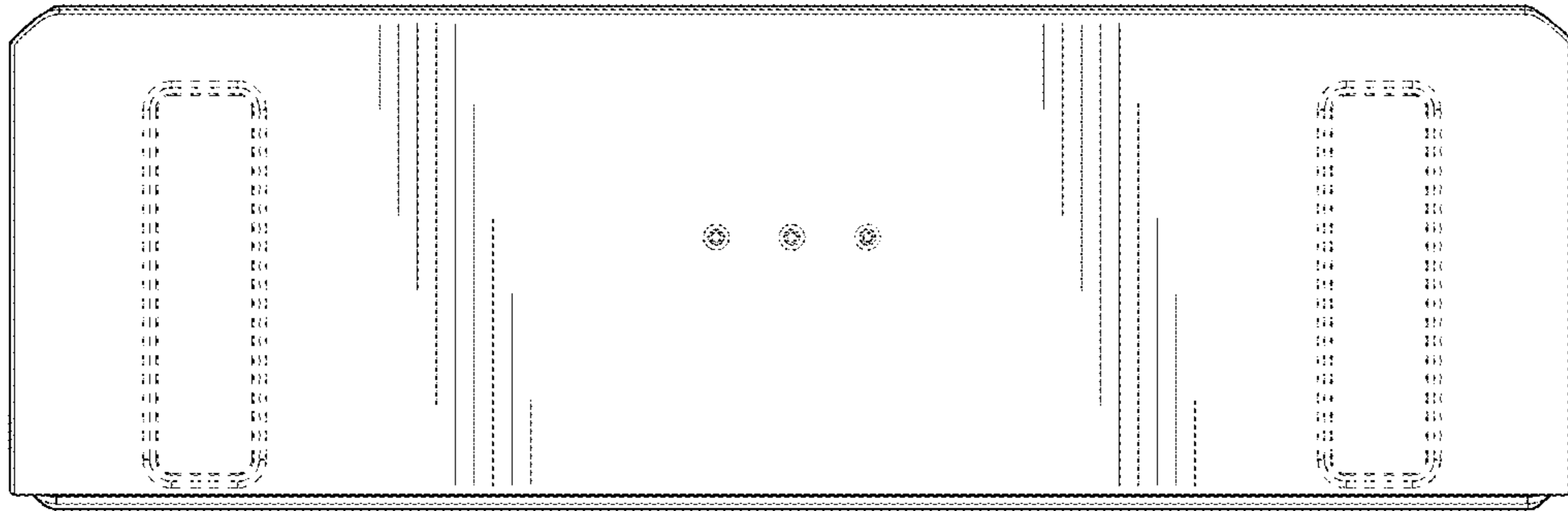


FIG. 7