



US00D951104S

(12) **United States Design Patent** (10) **Patent No.:** **US D951,104 S**  
**Pellingra et al.** (45) **Date of Patent:** **\*\* May 10, 2022**

(54) **POUCH**

(71) Applicant: **PROAMPAC HOLDINGS INC.**,  
Cincinnati, OH (US)

(72) Inventors: **Salvatore J. Pellingra**, Newport, KY  
(US); **Gregory D. Voeks**, Wheaton, IL  
(US)

(73) Assignee: **ProAmpac Holdings Inc.**, Cincinnati,  
OH (US)

(\*\*) Term: **15 Years**

(21) Appl. No.: **29/817,803**

(22) Filed: **Dec. 3, 2021**

**Related U.S. Application Data**

(62) Division of application No. 29/736,696, filed on Jun.  
2, 2020, now Pat. No. Des. 940,566.

(51) **LOC (13) Cl.** ..... **09-05**

(52) **U.S. Cl.**  
USPC ..... **D9/707**

(58) **Field of Classification Search**  
USPC ..... D9/702-714, 719, 738-740, 517-518,  
D9/522, 416, 435, 444, 460, 455, 414,  
D9/499, 431-432; D7/560-562;  
206/434, 426-427, 429-430, 485, 485.1,  
206/499, 508, 431, 418-422, 588-594;  
229/117.3, 185, 121, 122, 200, 207, 236,  
229/87.01; 220/23.83; 150/100-118;  
294/137, 152; 383/6, 10, 14, 20, 40, 33,  
383/104-105, 117, 108, 120, 93, 121.1,  
383/127; 428/34.3  
CPC ..... B65D 33/00; B65D 33/06; B65D 33/065;  
B65D 33/14; B65D 33/1683; B65D  
33/12; B65D 31/00; B65D 31/04; B65D  
31/10; A45C 3/04; A45C 3/10

See application file for complete search history.

(56) **References Cited**

**U.S. PATENT DOCUMENTS**

D319,176 S	8/1991	Sherman	
D724,441 S *	3/2015	Fukuda	D9/707
D770,905 S	11/2016	Kim	
D874,942 S	2/2020	Tsuruta	
D929,871 S	9/2021	Kubota et al.	
D940,566 S *	1/2022	Pellingra	D9/707

\* cited by examiner

*Primary Examiner* — Abraham Bahta

(74) *Attorney, Agent, or Firm* — McLane Middleton,  
Professional Association

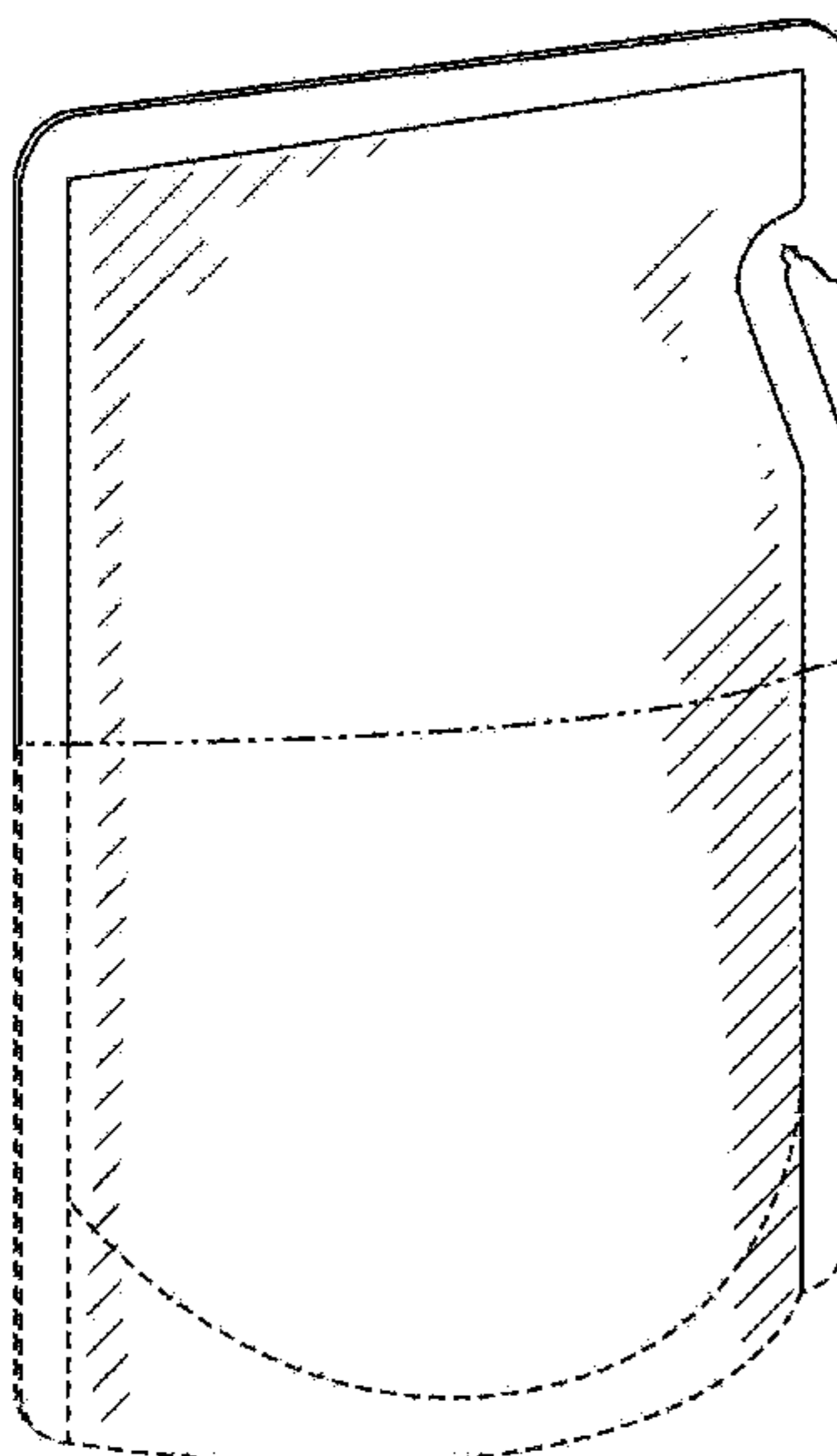
(57) **CLAIM**

The ornamental design for a pouch, as shown and described.

**DESCRIPTION**

FIG. 1 is a front perspective view of a pouch showing a first embodiment of our new design;  
FIG. 2 is a rear perspective view thereof;  
FIG. 3 is a front elevational view thereof;  
FIG. 4 is a rear elevational view thereof;  
FIG. 5 is a left side elevational view thereof  
FIG. 6 is a right side elevational view thereof;  
FIG. 7 is a top plan view thereof;  
FIG. 8 is a bottom plan view thereof;  
FIG. 9 is a front perspective view of a pouch showing a second embodiment of our new design;  
FIG. 10 is a rear perspective view thereof;  
FIG. 11 is a front elevational view thereof;  
FIG. 12 is a rear elevational view thereof;  
FIG. 13 is a left side elevational view thereof  
FIG. 14 is a right side elevational view thereof;  
FIG. 15 is a top plan view thereof; and,  
FIG. 16 is a bottom plan view thereof.  
In the drawings, the broken lines show portions of the article that form no part of the claim.

**1 Claim, 16 Drawing Sheets**



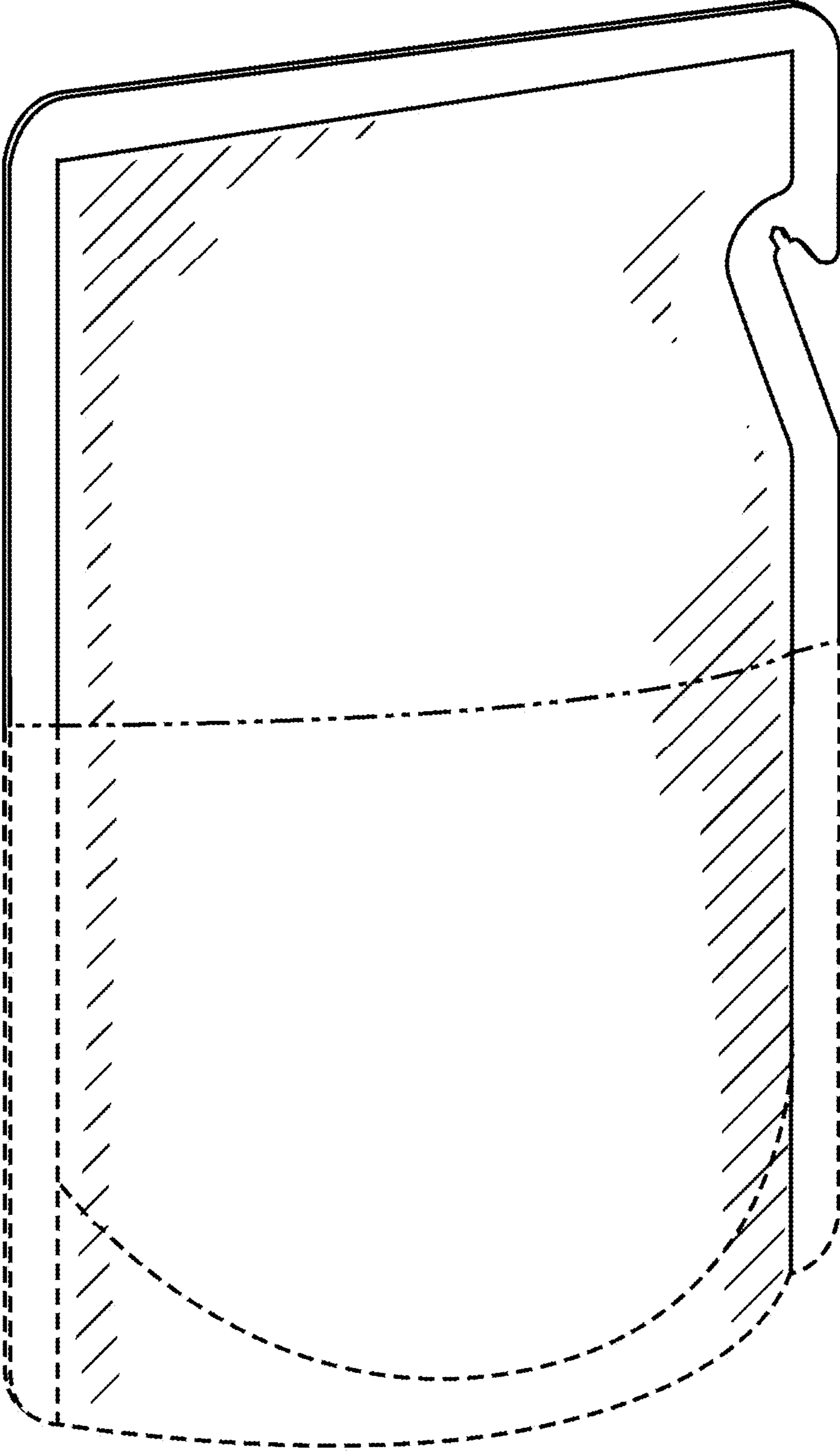


FIG. 1

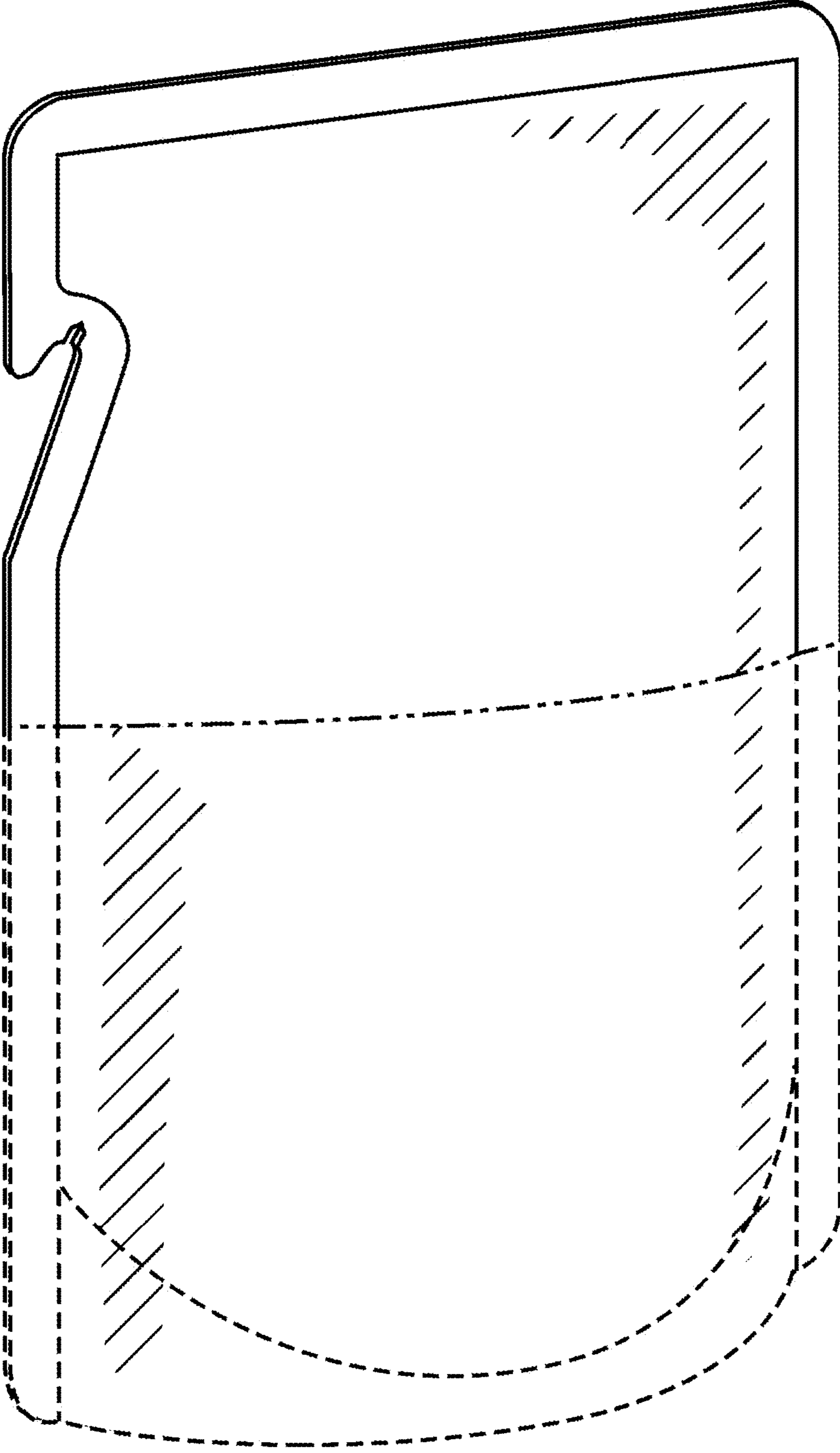


FIG. 2

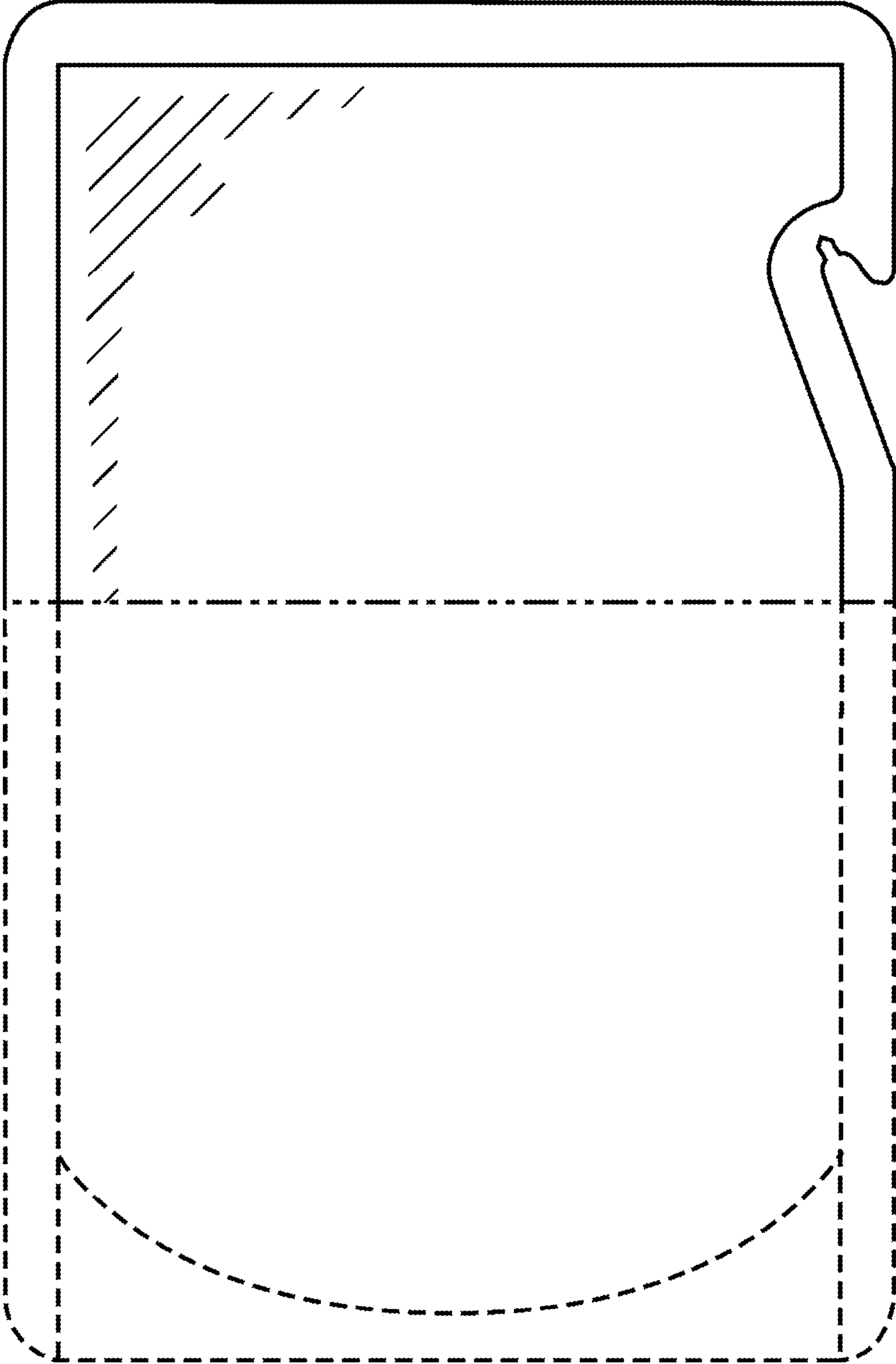


FIG. 3

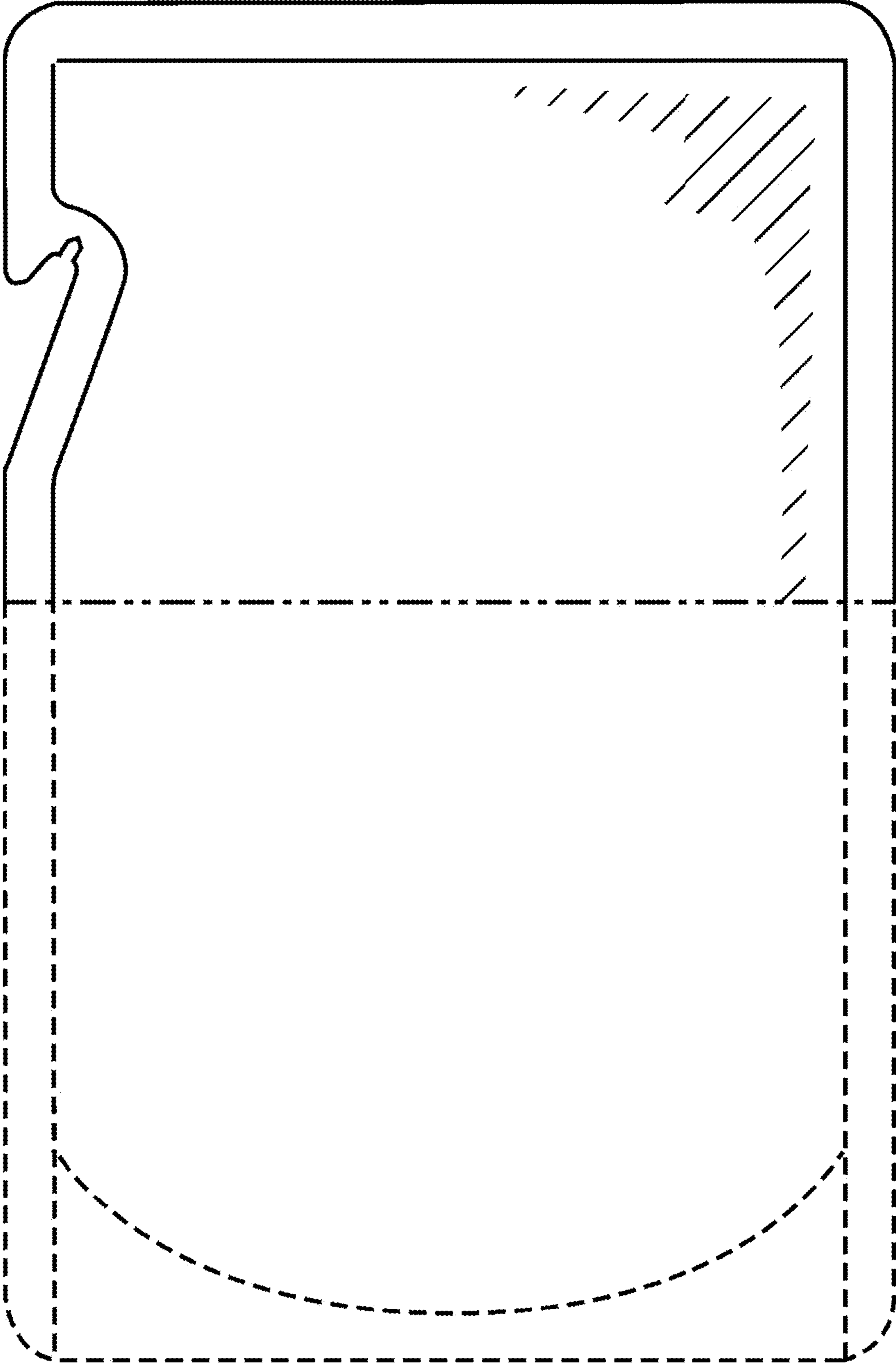


FIG. 4

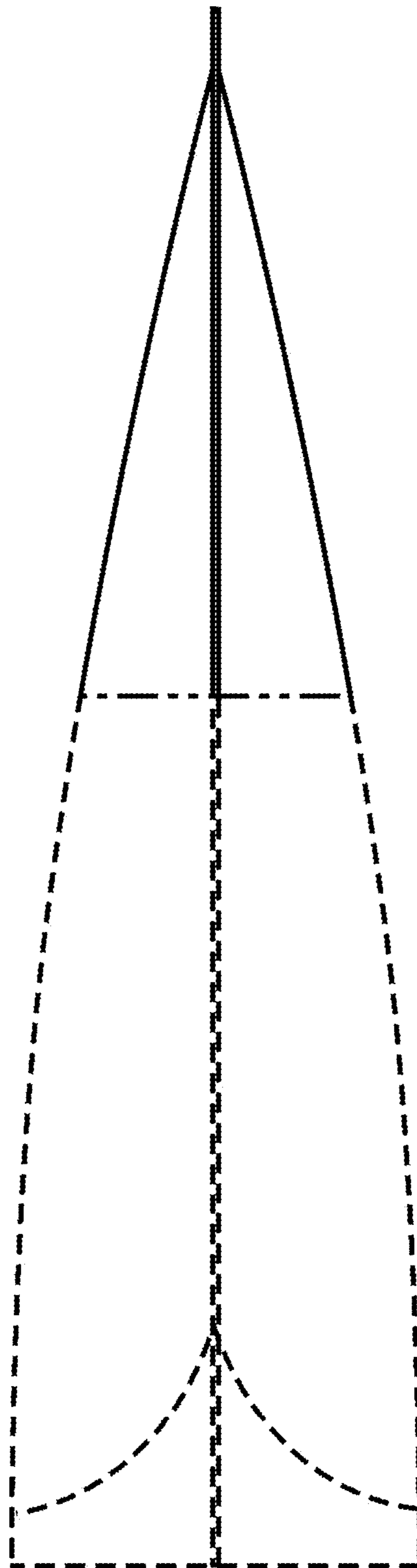


FIG. 5

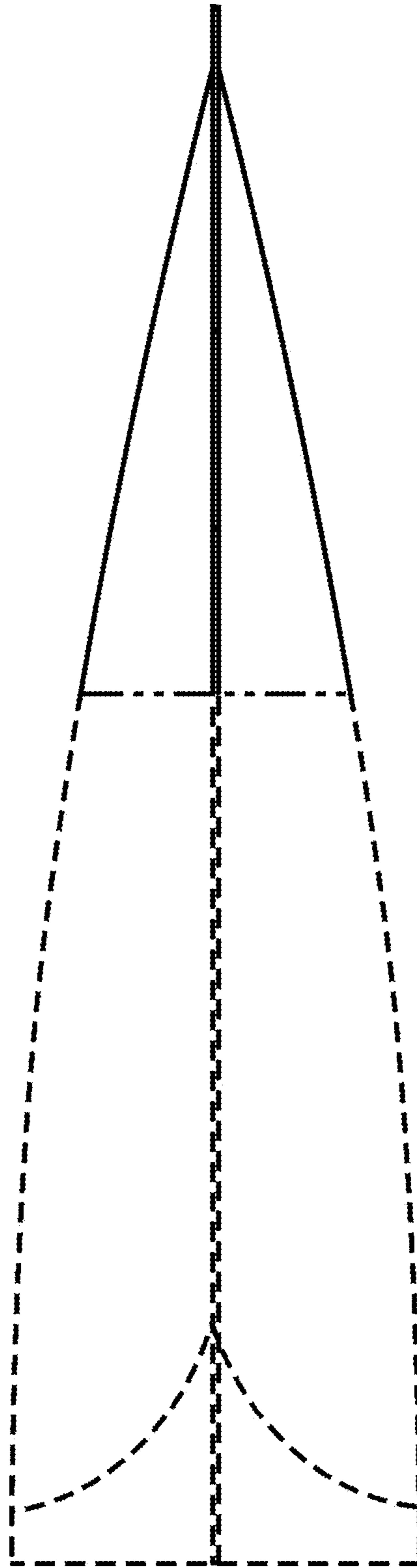


FIG. 6

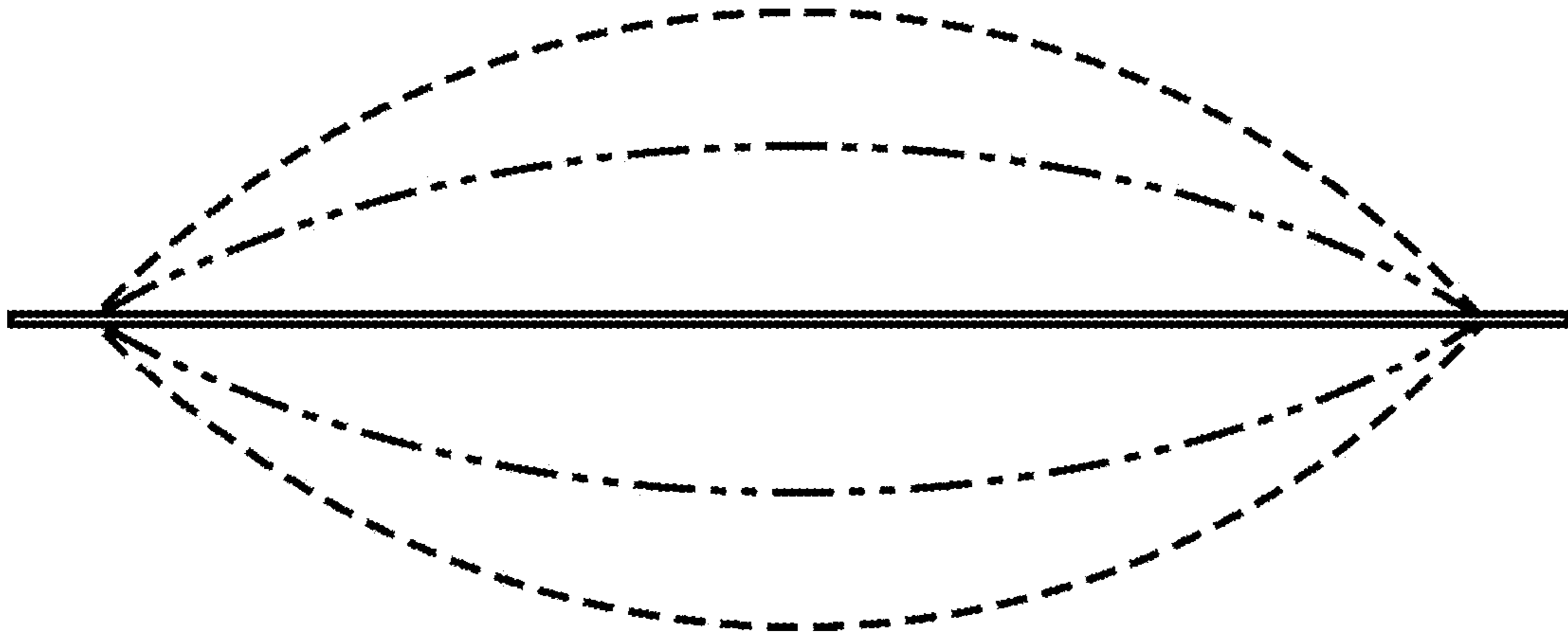


FIG. 7



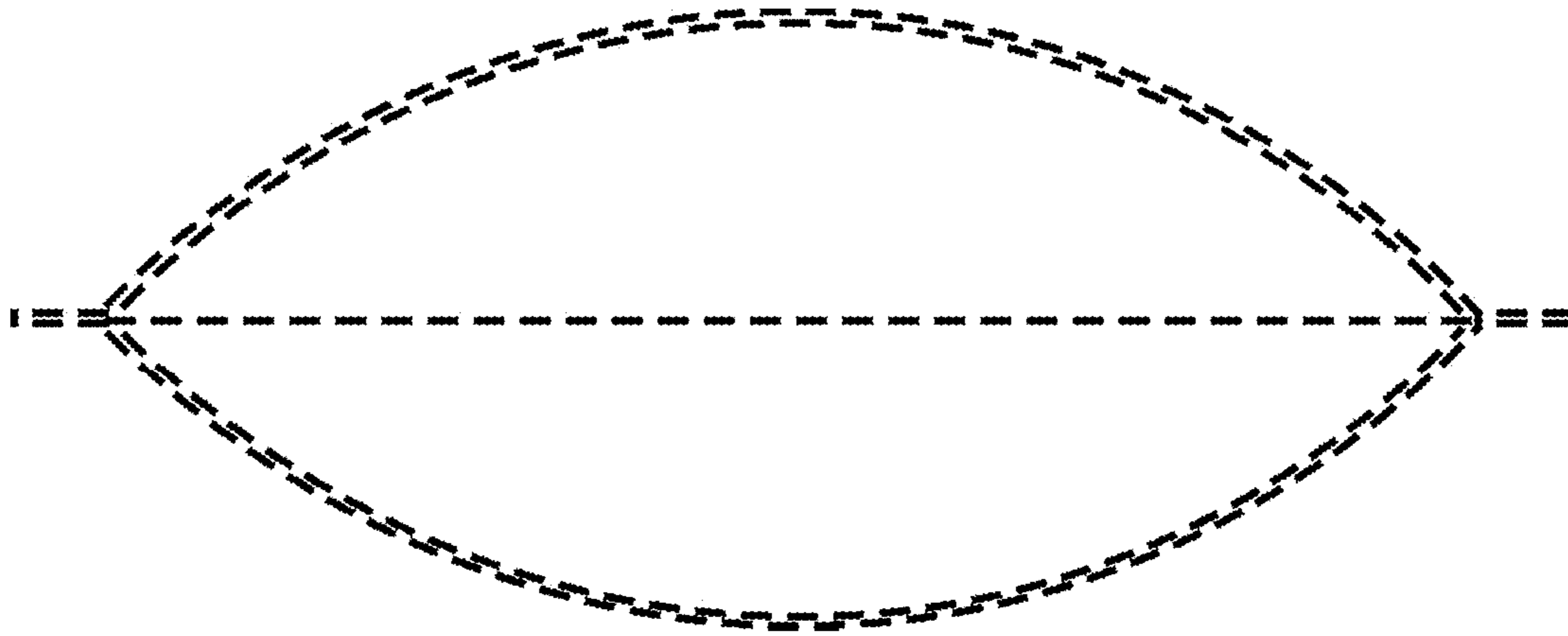


FIG. 8

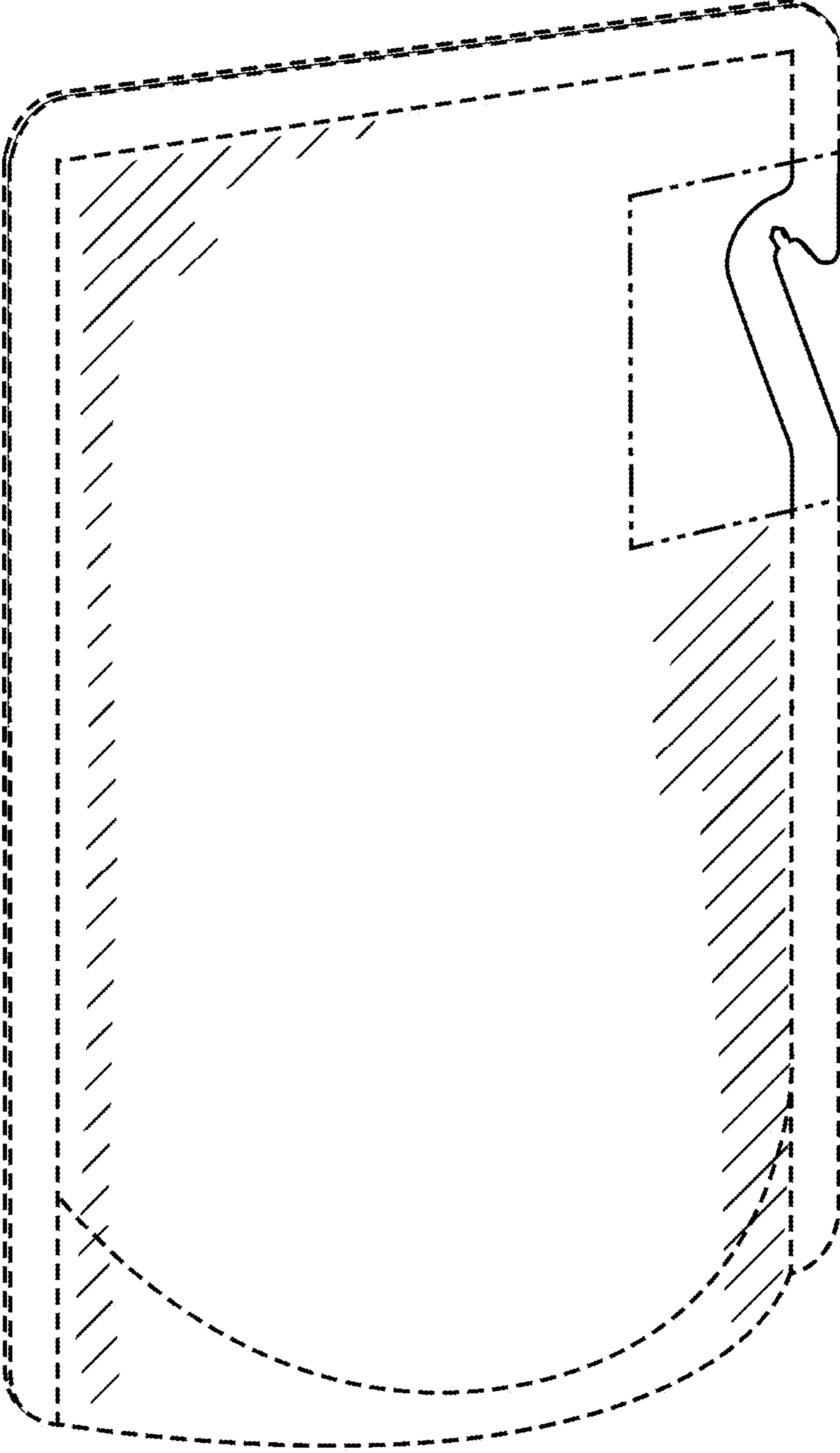


FIG. 9

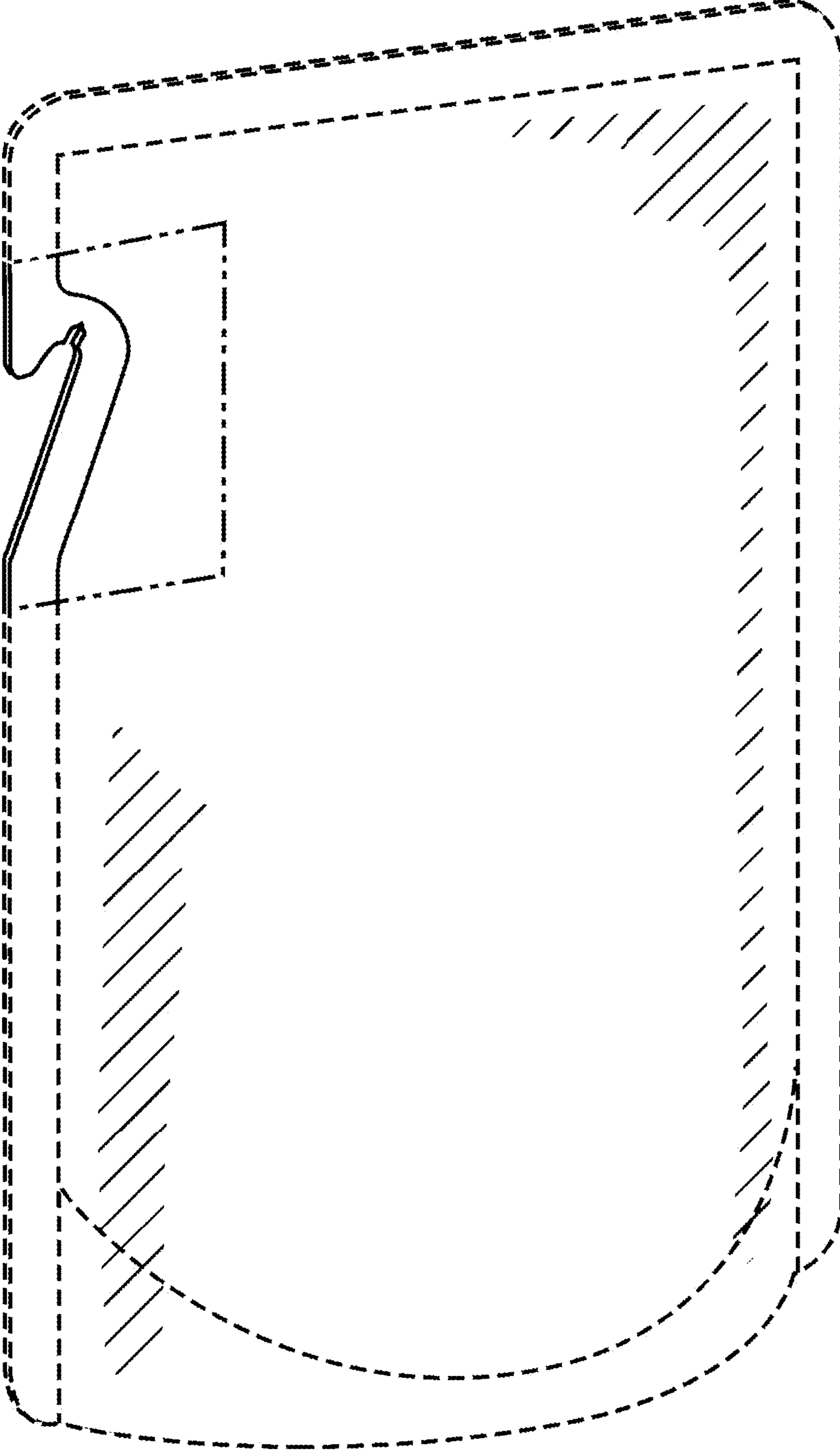


FIG. 10

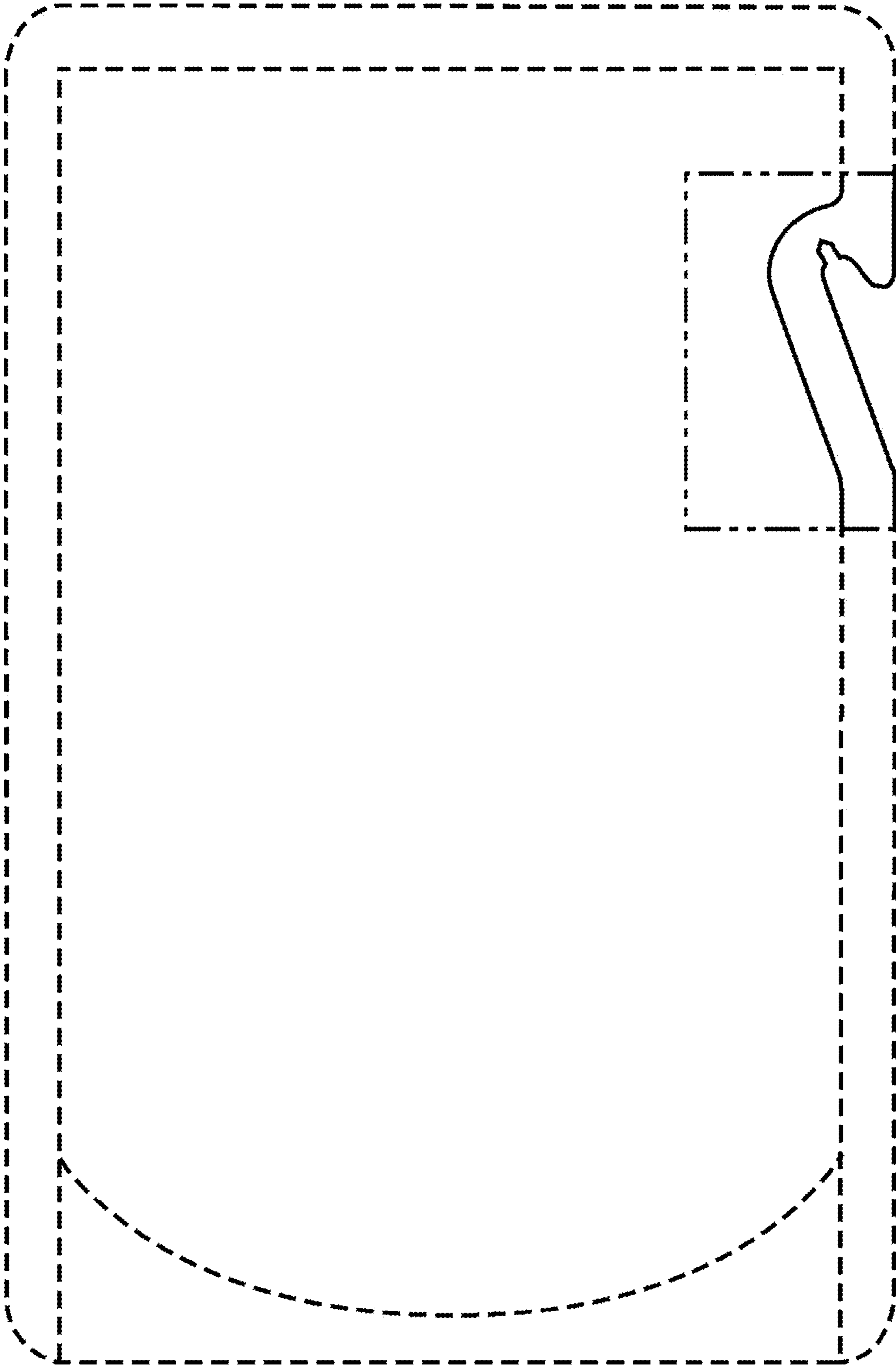


FIG. 11

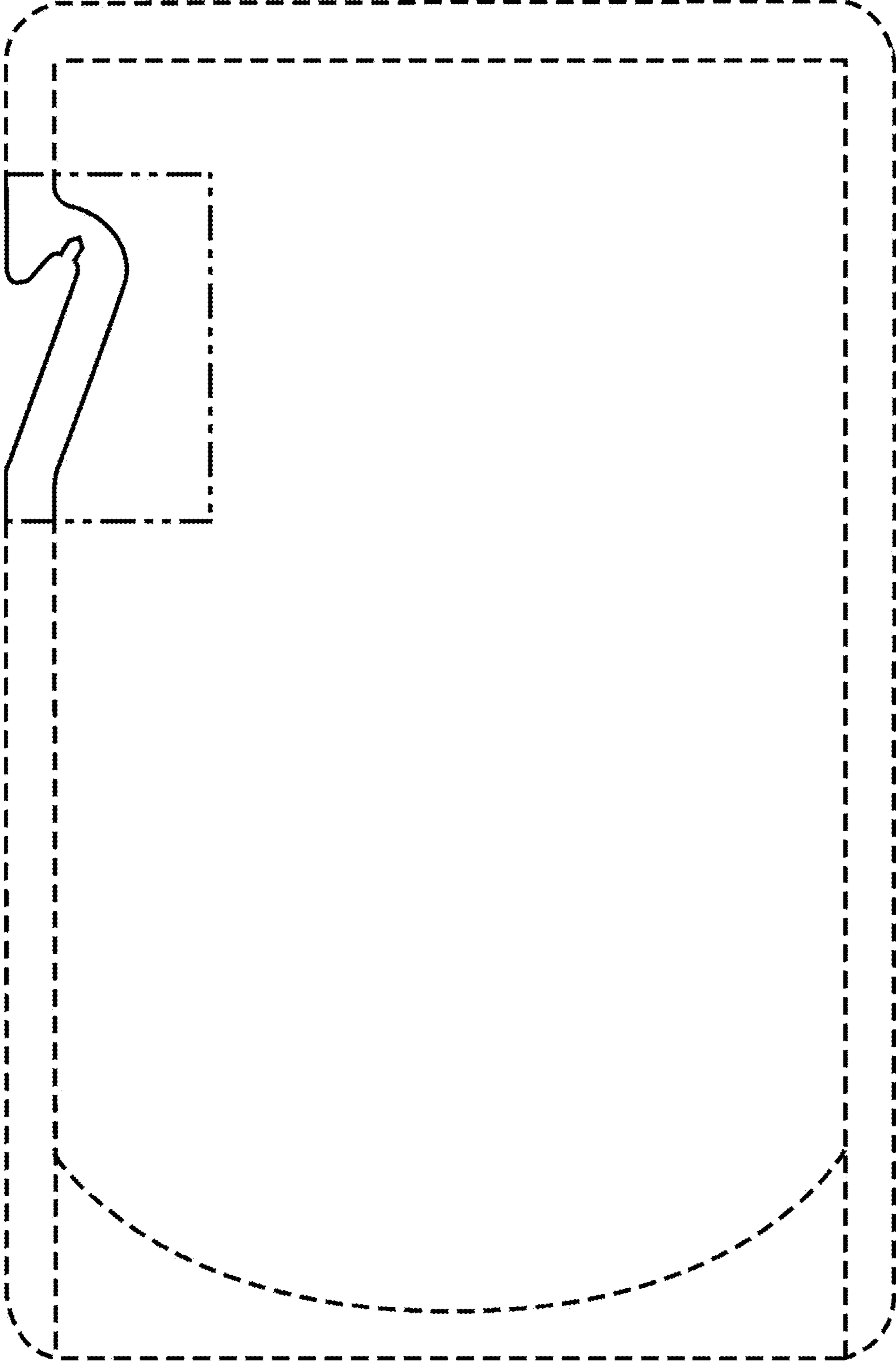


FIG. 12

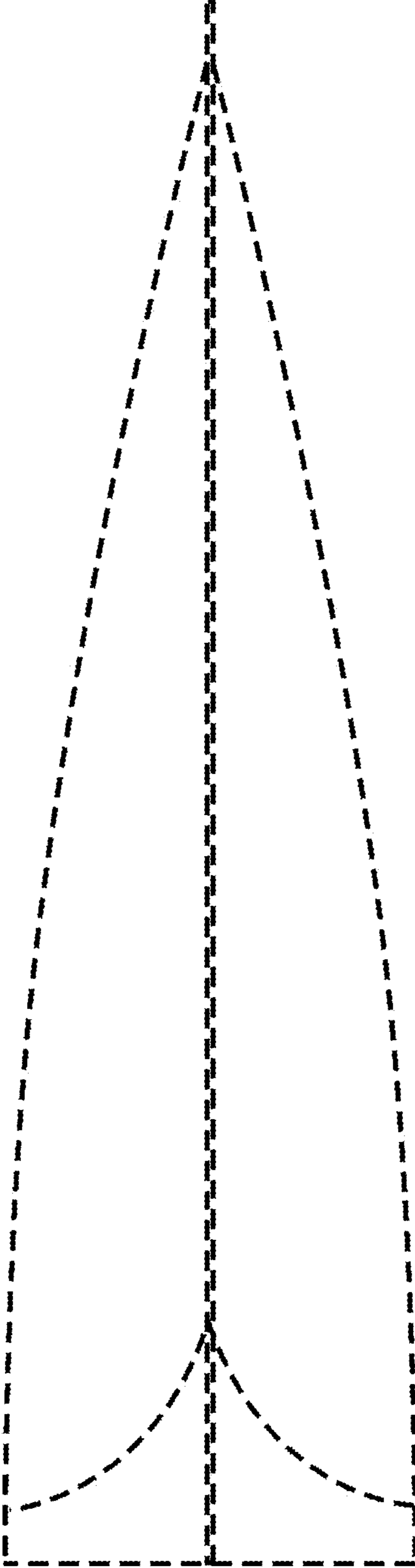


FIG. 13

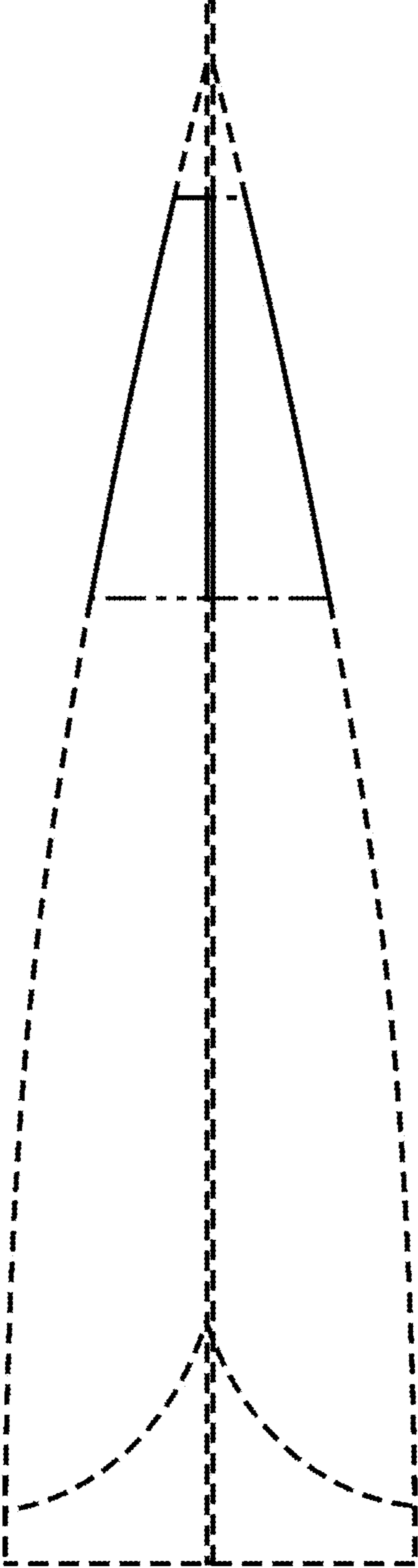


FIG. 14

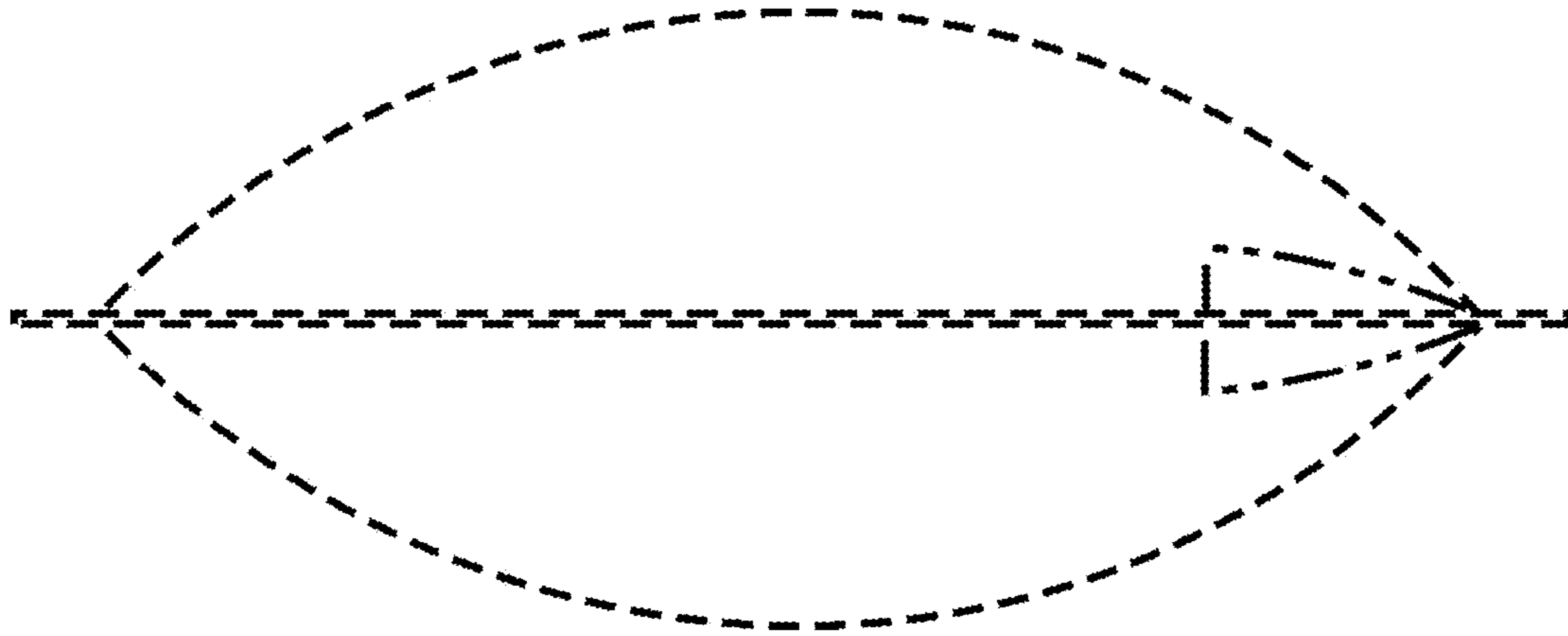


FIG. 15



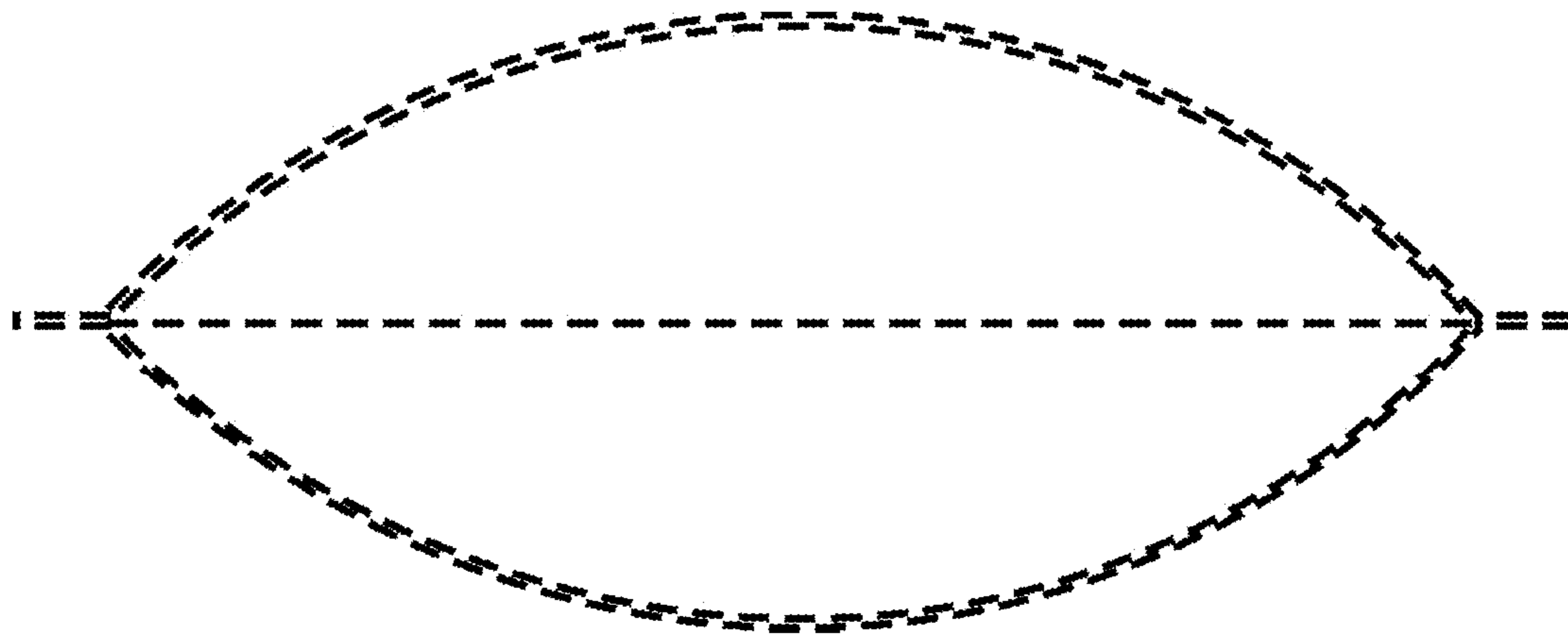


FIG. 16