



US00D951098S

(12) **United States Design Patent** (10) **Patent No.:** **US D951,098 S**
Macias Mejia et al. (45) **Date of Patent:** **** May 10, 2022**

(54) **BOTTLE**
(71) Applicant: **Colgate-Palmolive Company**, New York, NY (US)
(72) Inventors: **Claudia Daniela Macias Mejia**, New York, NY (US); **Oscar Xoy**, New Brunswick, NJ (US); **Dale Nicholls**, Oxfordshire (GB)
(73) Assignee: **Colgate-Palmolive Company**, New York, NY (US)

D748,486 S * 2/2016 Clarke D9/545
D767,993 S * 10/2016 Joshi D9/538
D813,680 S * 3/2018 Bryant D9/542
D917,294 S * 4/2021 Alima D9/552

* cited by examiner

Primary Examiner — Janice Patyk

(57) **CLAIM**

The ornamental design for a bottle, as shown and described.

DESCRIPTION

FIG. 1 is a front perspective view of a bottle according to a first embodiment of the new design;
FIG. 2 is a rear perspective view thereof;
FIG. 3 is a front view thereof;
FIG. 4 is a rear view thereof;
FIG. 5 is a left side view thereof;
FIG. 6 is a right side view thereof;
FIG. 7 is a top plan view thereof;
FIG. 8 is a bottom plan view thereof;
FIG. 9 is a front perspective view of a bottle according to a second embodiment of the new design;
FIG. 10 is a rear perspective view thereof;
FIG. 11 is a front view thereof;
FIG. 12 is a rear view thereof;
FIG. 13 is a left side view thereof;
FIG. 14 is a right side view thereof;
FIG. 15 is a top plan top view thereof; and,
FIG. 16 is a bottom plan view thereof.

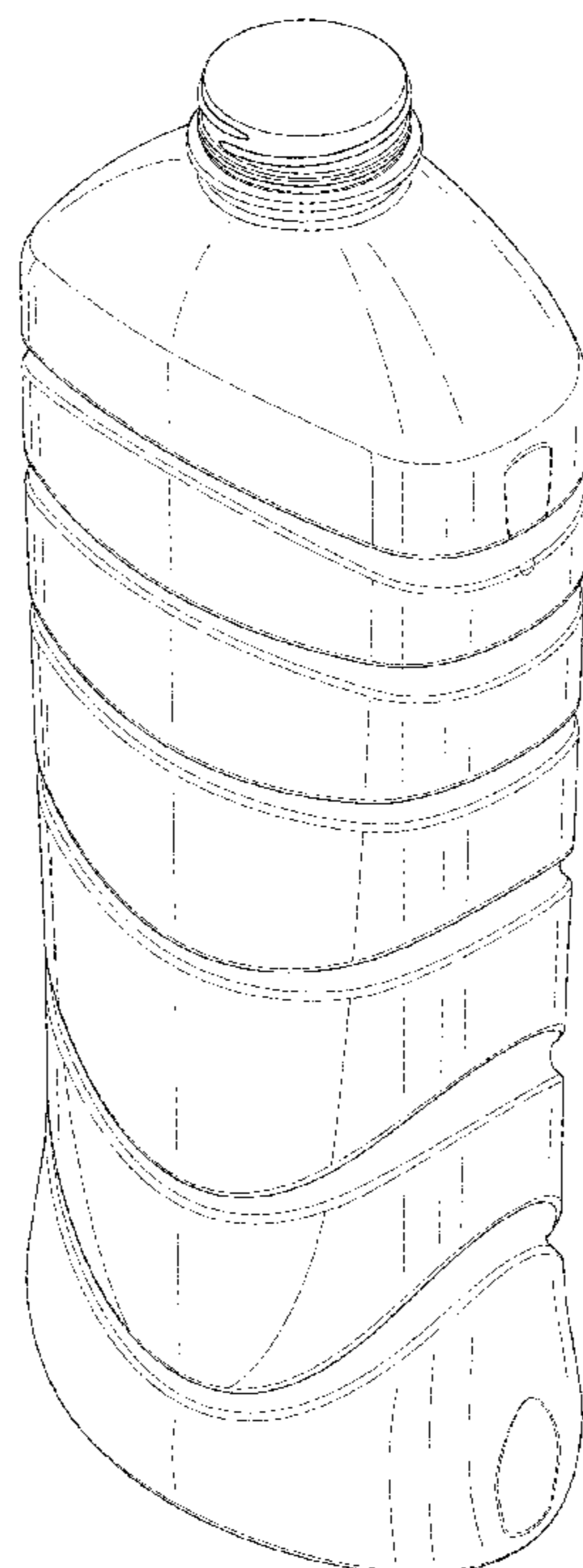
The broken lines in the figures illustrate the portions of the bottle and form no part of the claimed design.

1 Claim, 12 Drawing Sheets

(**) Term: **15 Years**
(21) Appl. No.: **29/724,338**
(22) Filed: **Feb. 14, 2020**
(51) **LOC (13) Cl.** **09-01**
(52) **U.S. Cl.**
USPC **D9/552**
(58) **Field of Classification Search**
USPC D9/522, 530, 537, 549, 552, 558, 559,
D9/572, 573, 574, 690, 691, 694
CPC B65D 1/02; B65D 1/0223; B65D 1/023;
B65D 1/0261; B65D 2501/0009; B65D
2501/0081; B65D 2501/009
See application file for complete search history.

(56) **References Cited**
U.S. PATENT DOCUMENTS

D583,673 S * 12/2008 Freeborn D9/542
D629,303 S * 12/2010 Toh D9/542
D713,253 S * 9/2014 Hodges D9/529
D741,180 S * 10/2015 Higareda D9/523



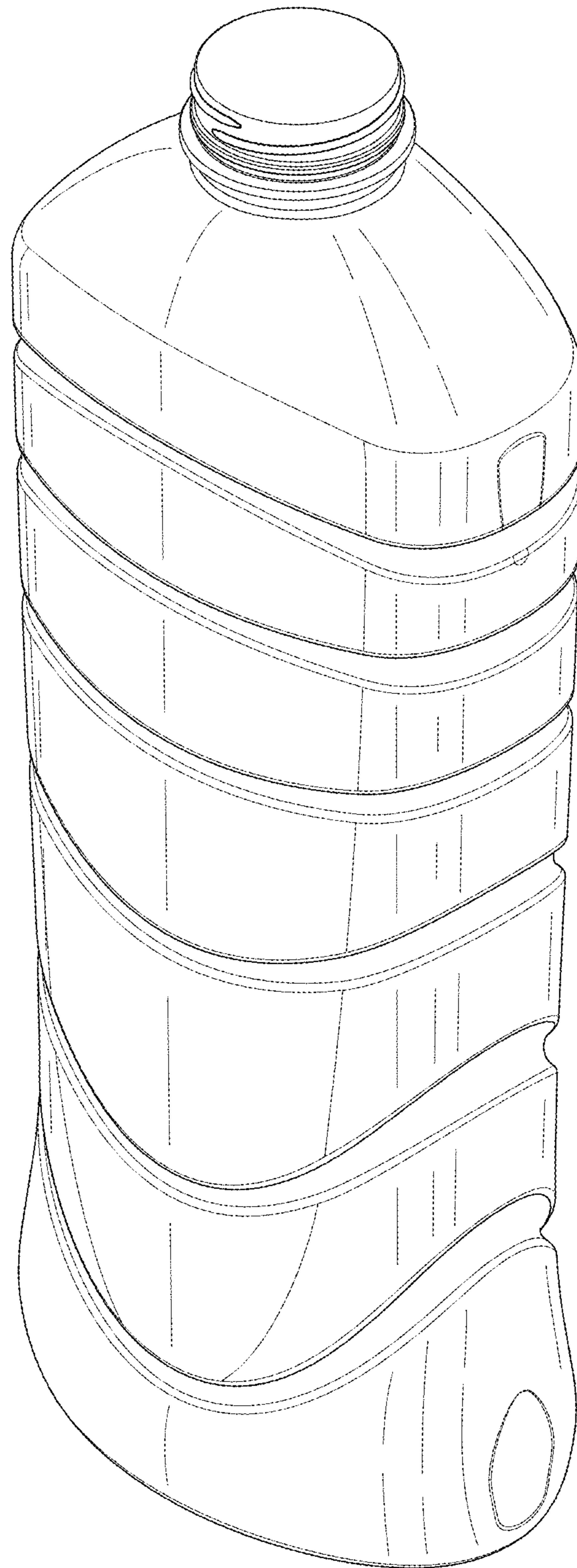


FIG. 1

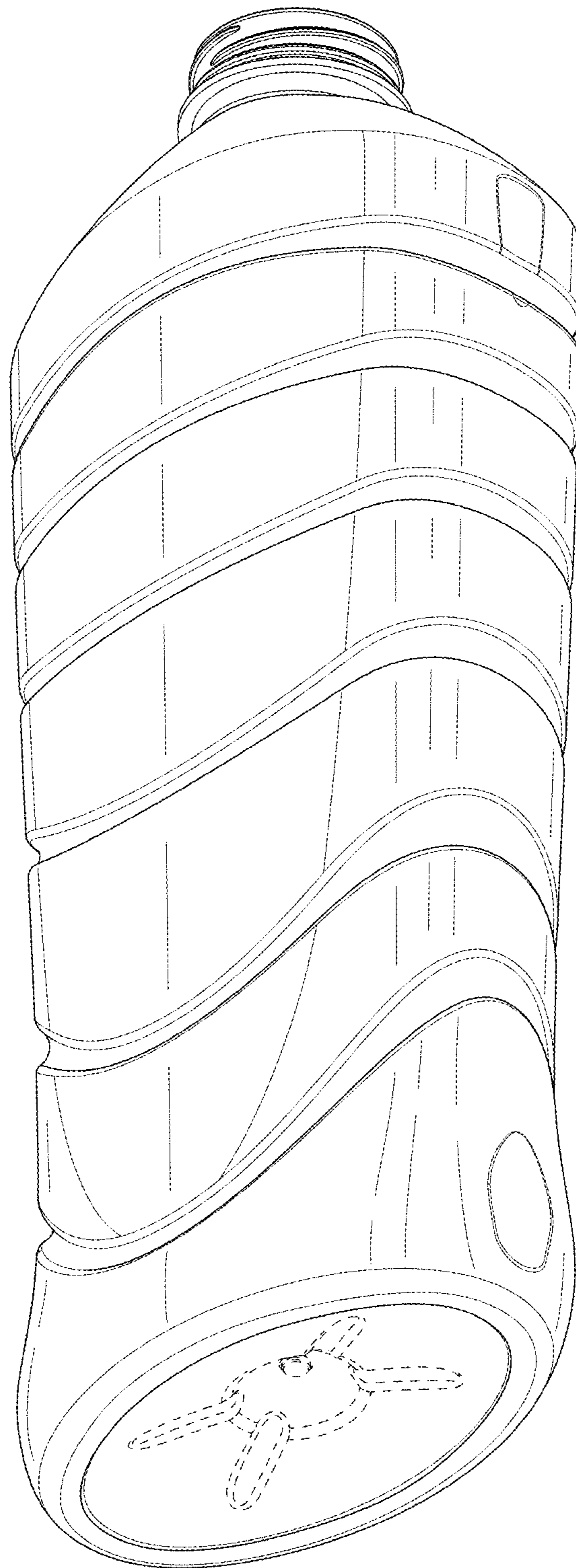


FIG. 2

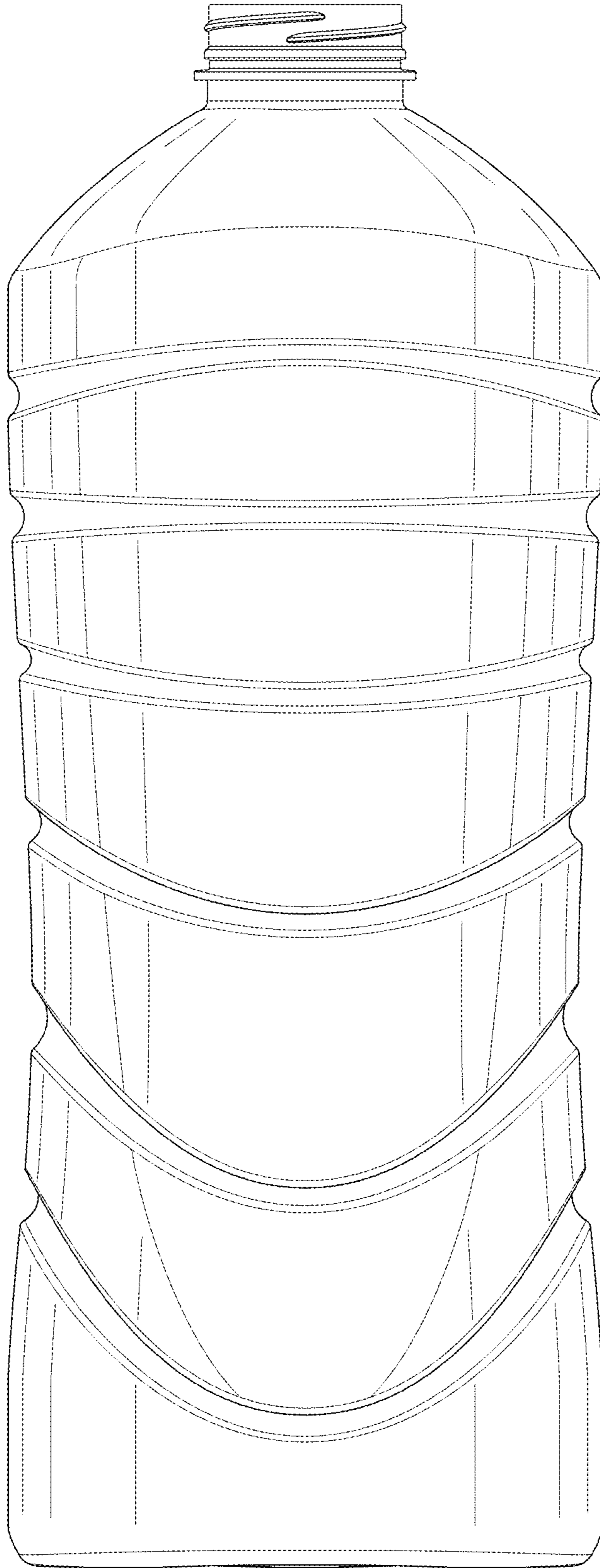


FIG. 3

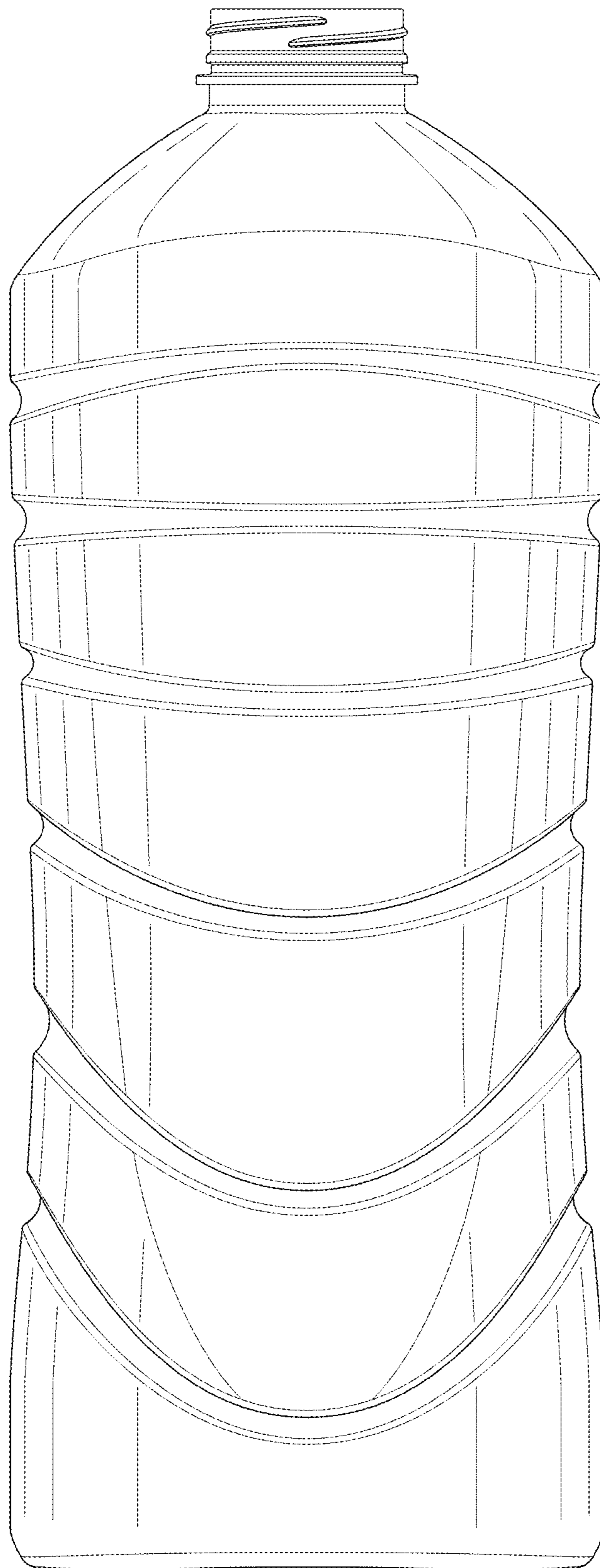


FIG. 4

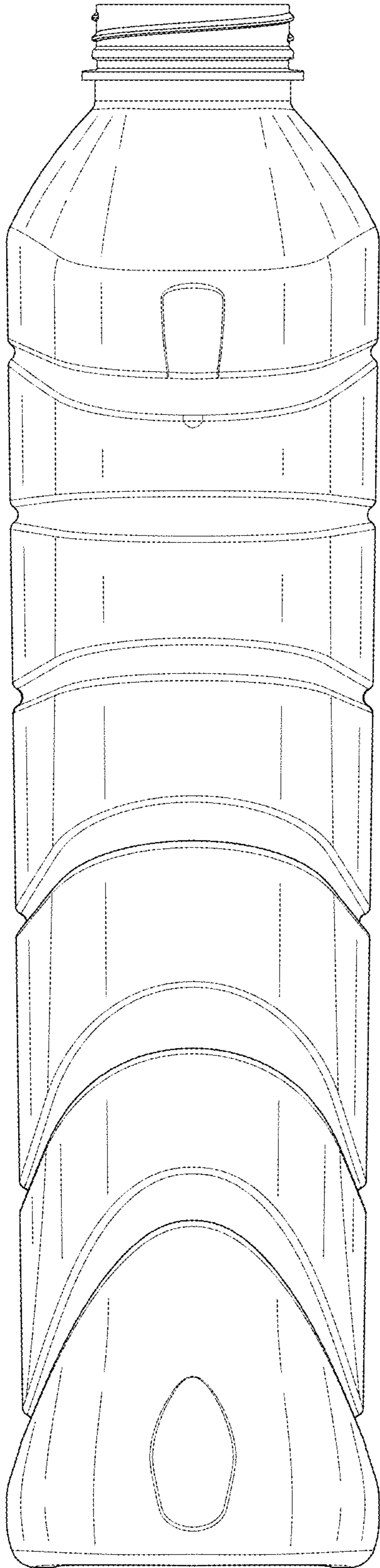


FIG. 5

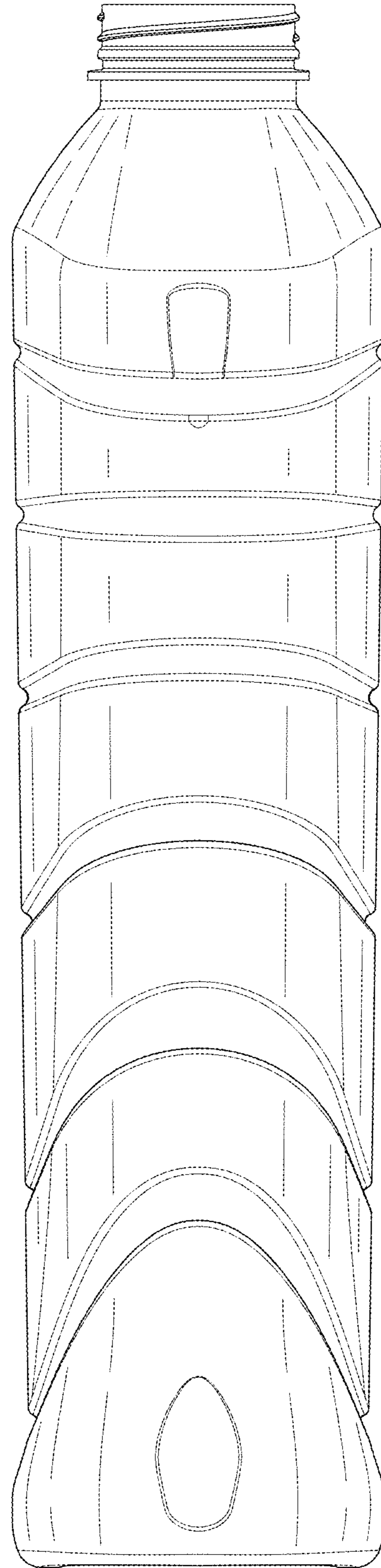


FIG. 6

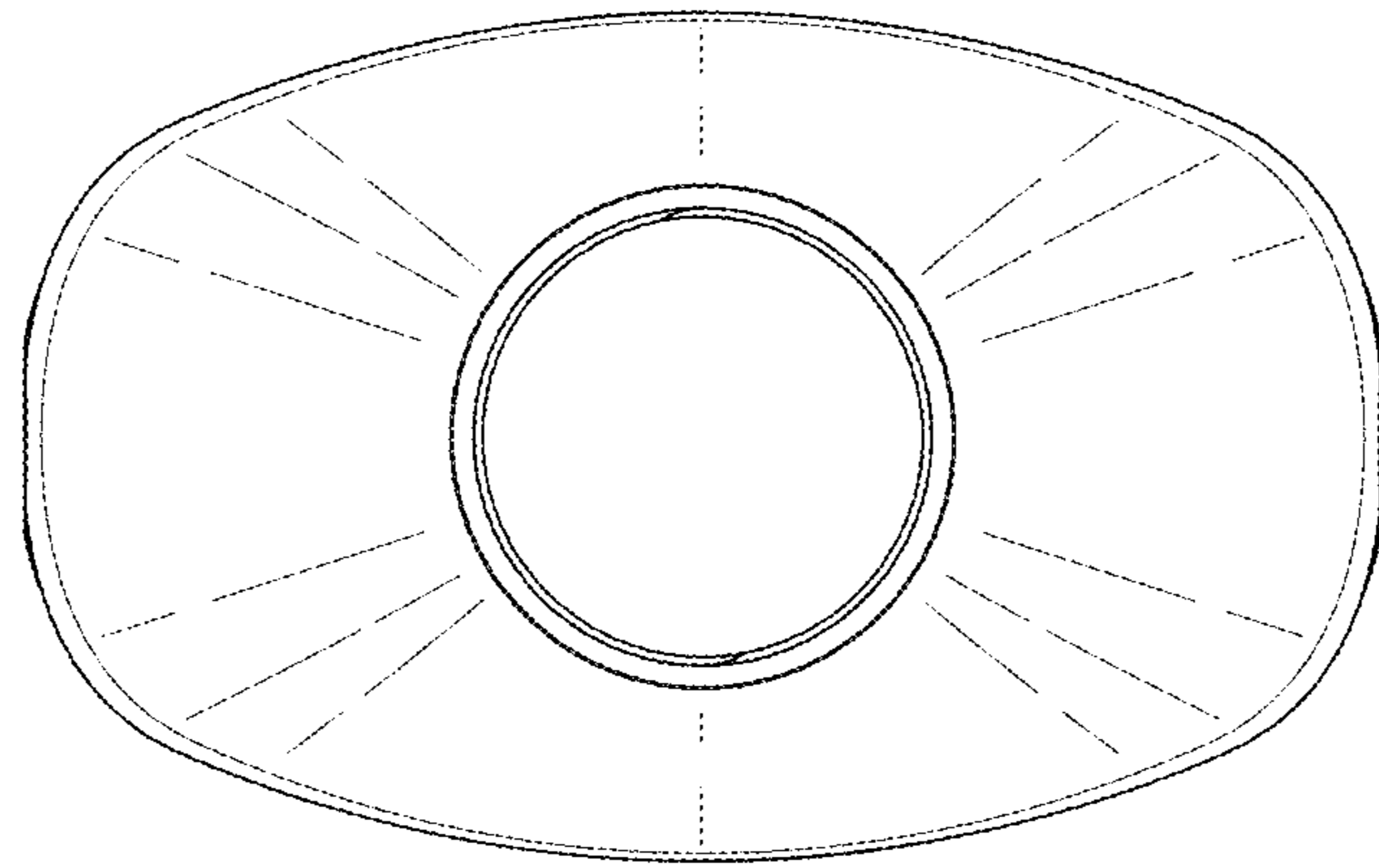


FIG. 7

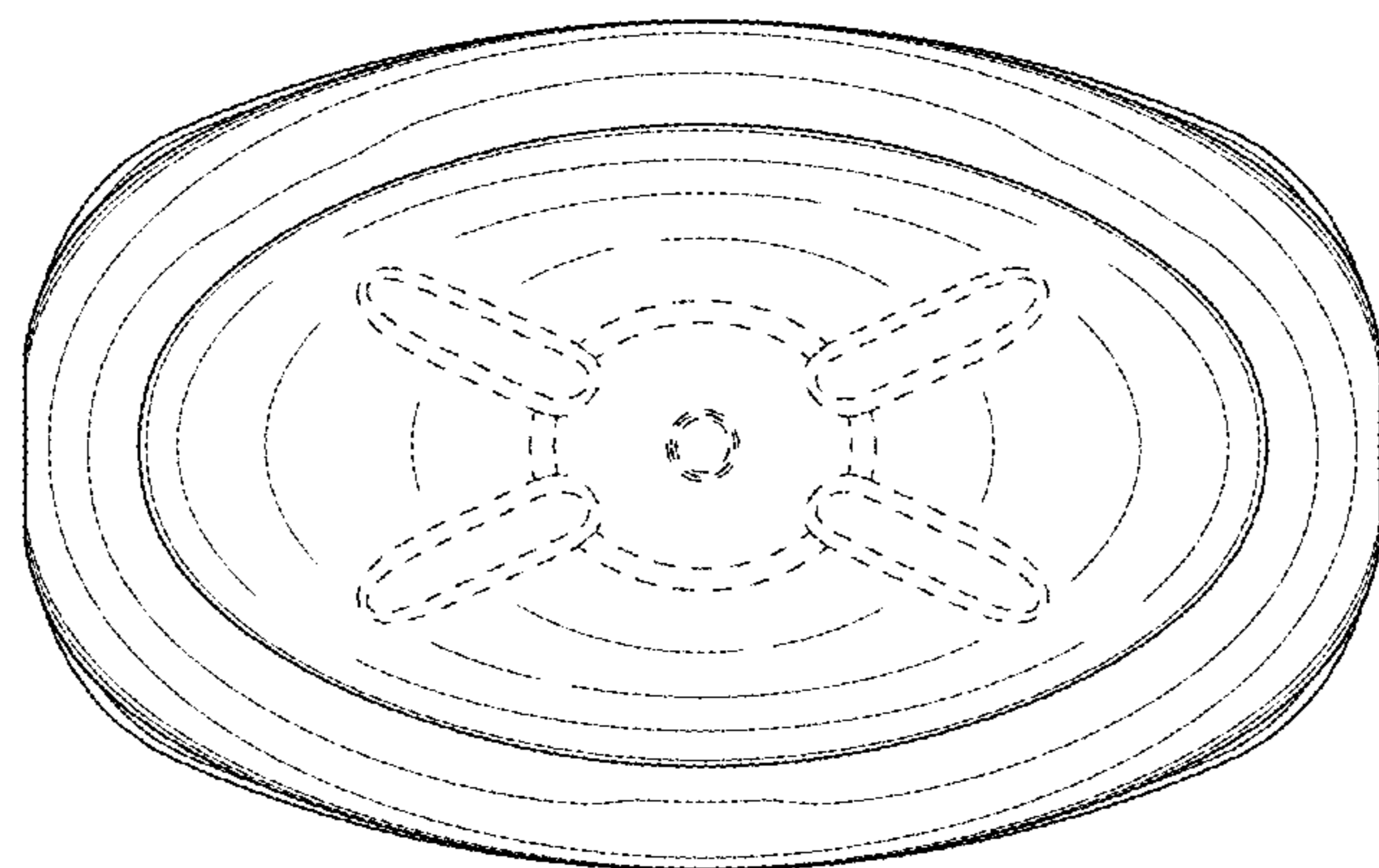


FIG. 8

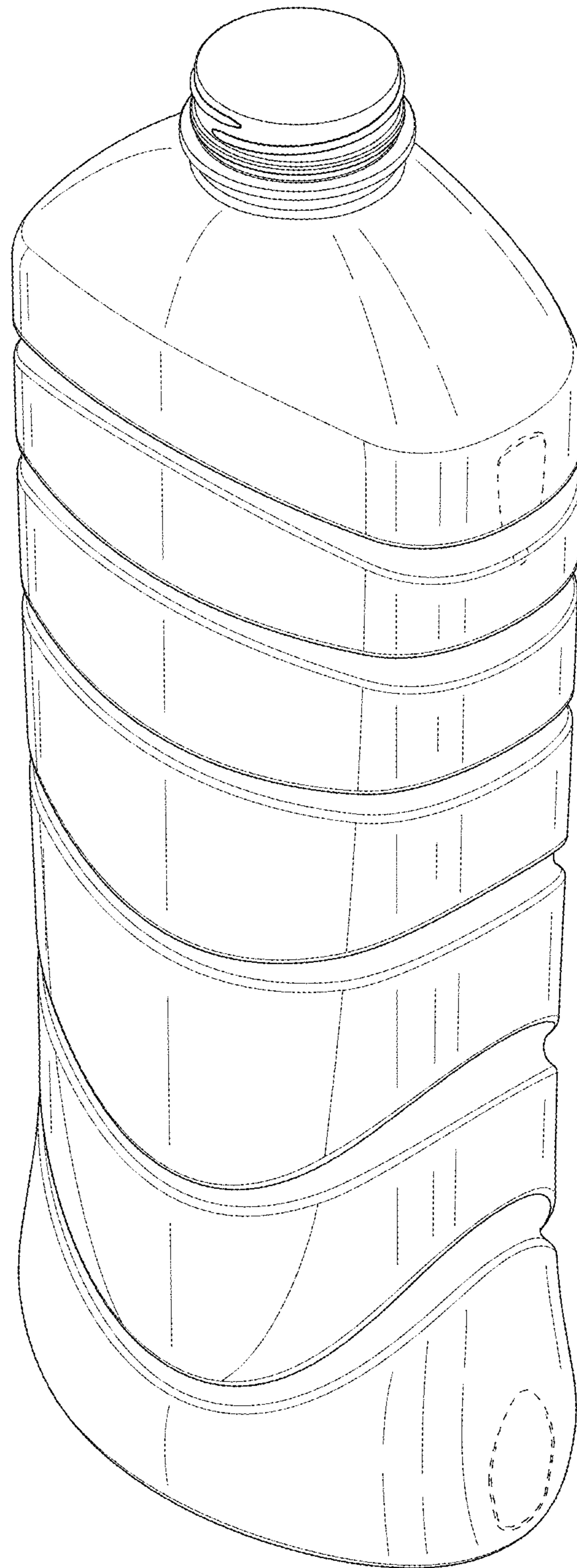


FIG. 9

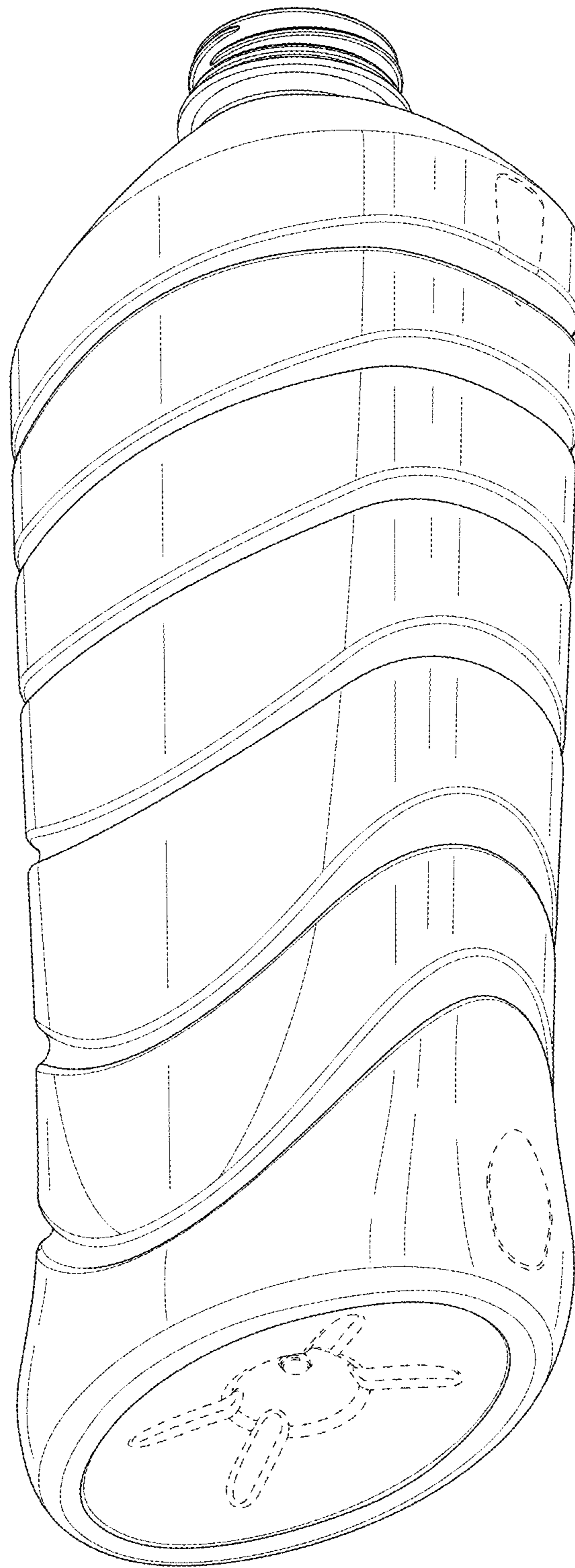


FIG. 10

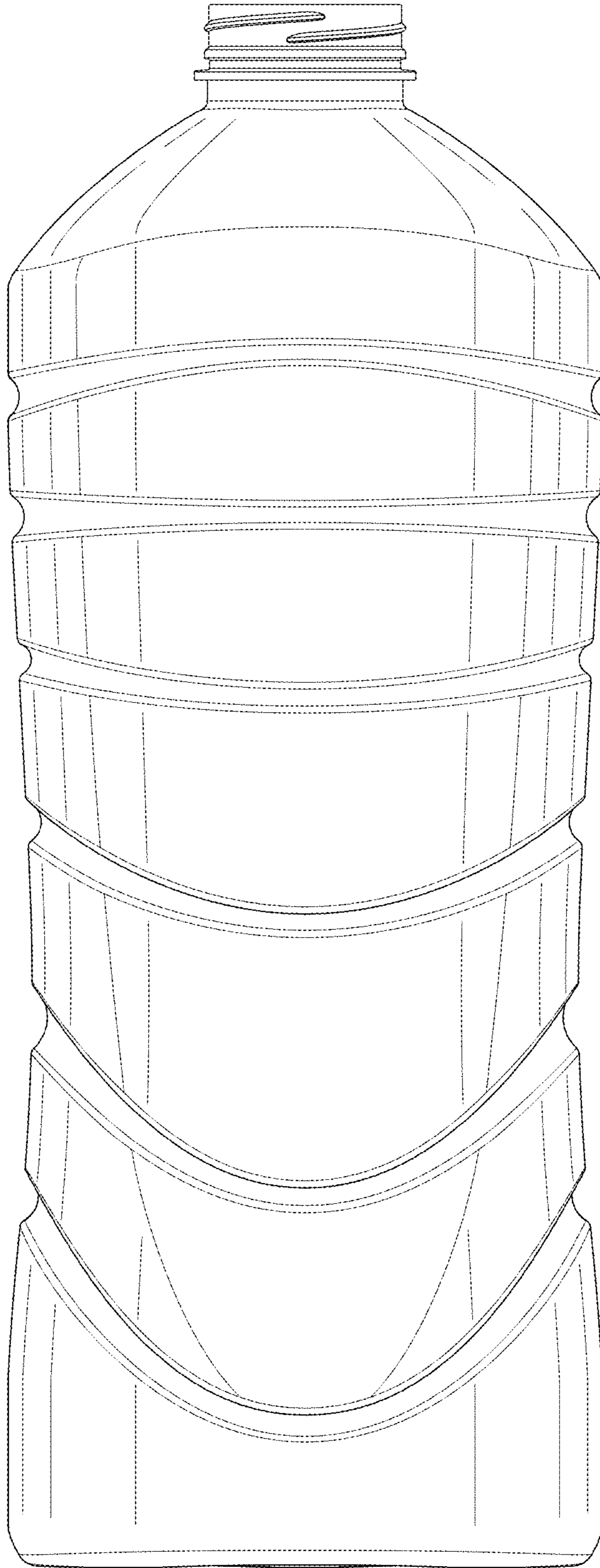


FIG. 11

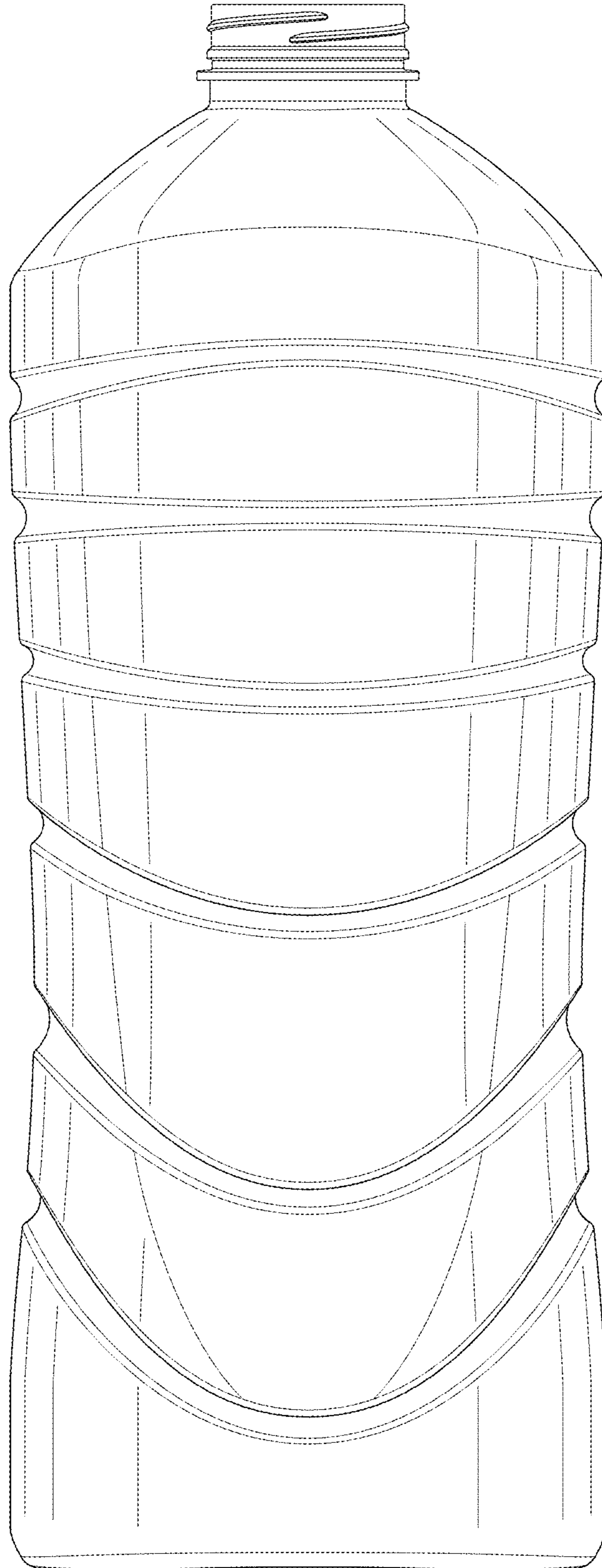


FIG. 12

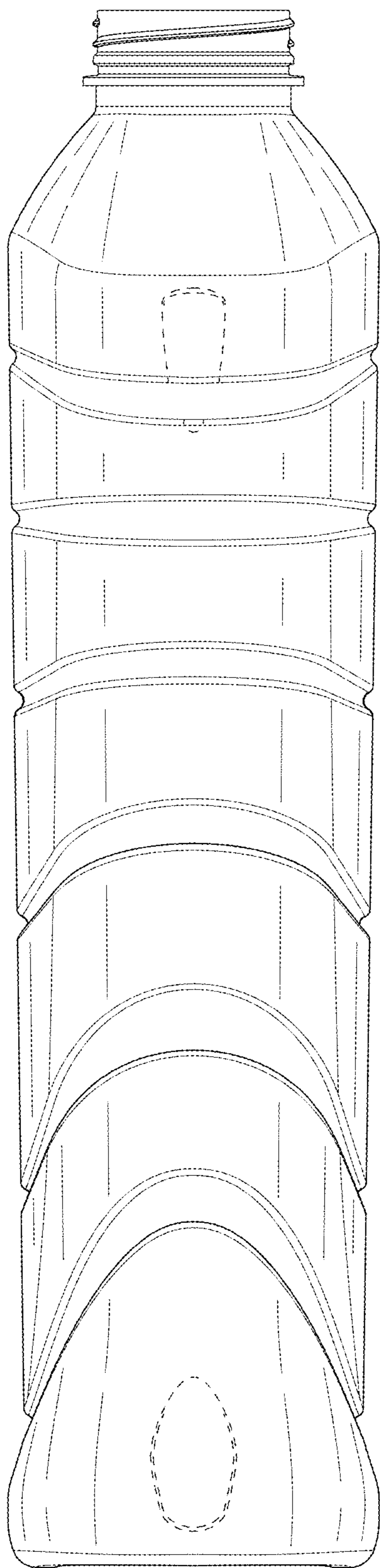


FIG. 13

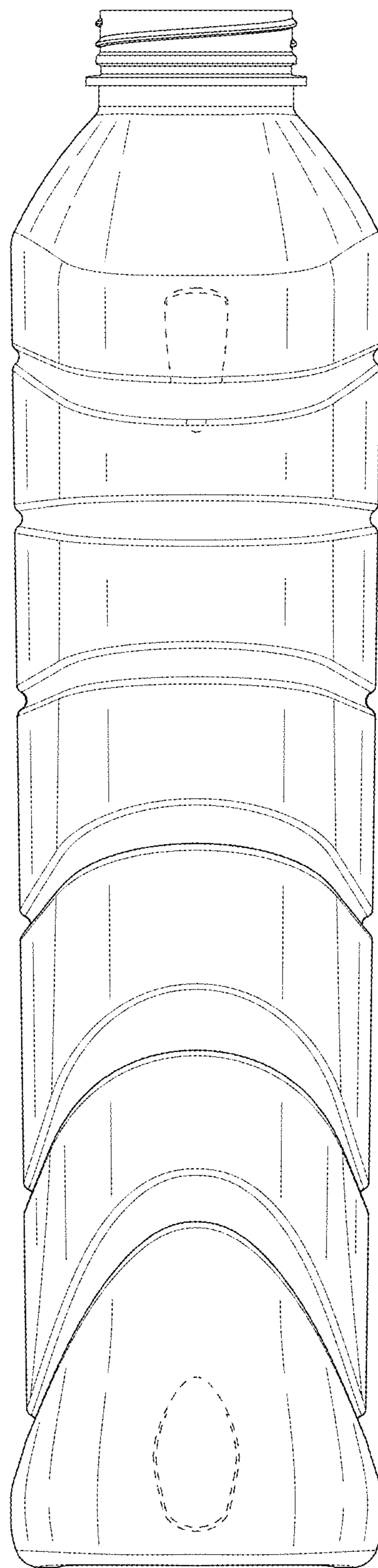


FIG. 14

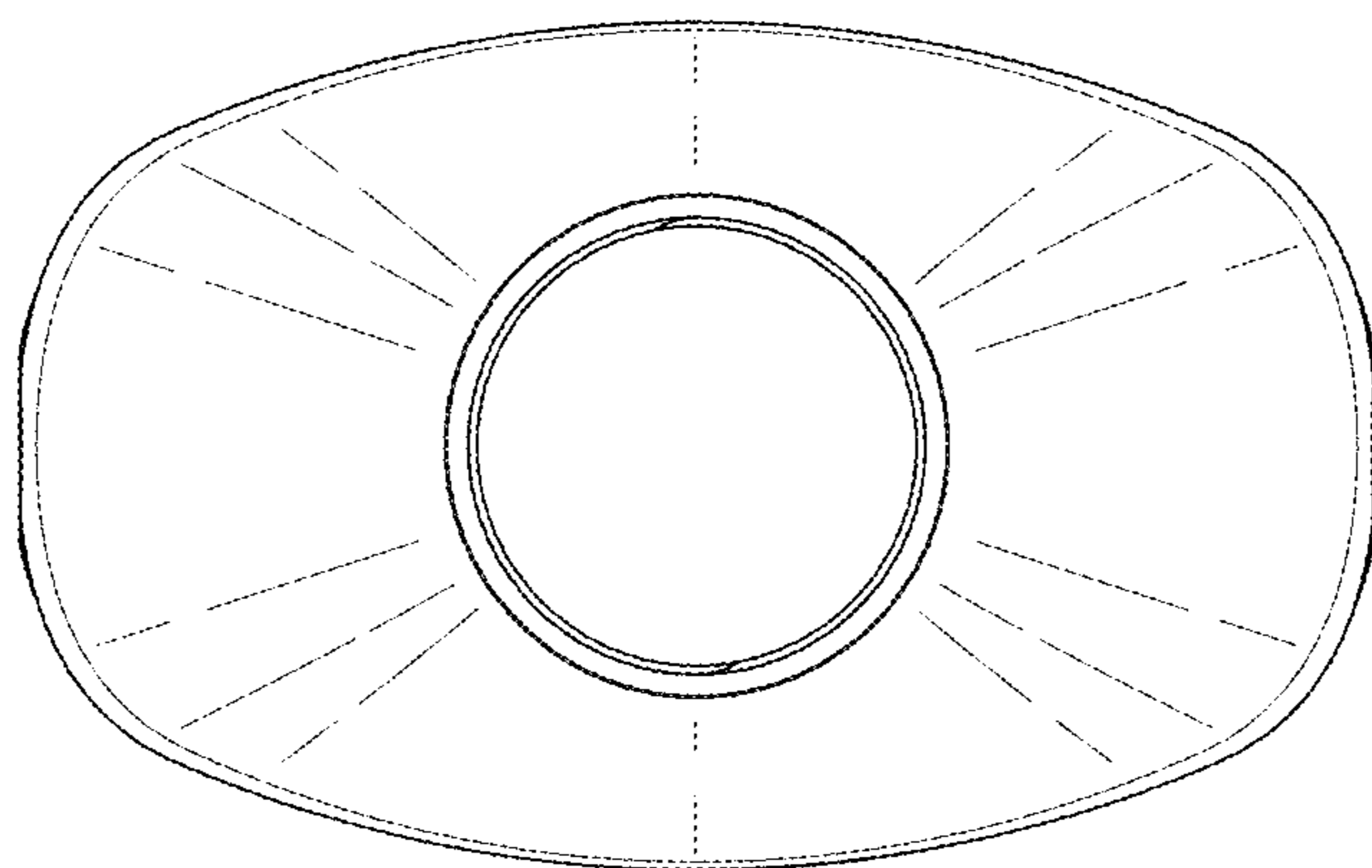


FIG. 15

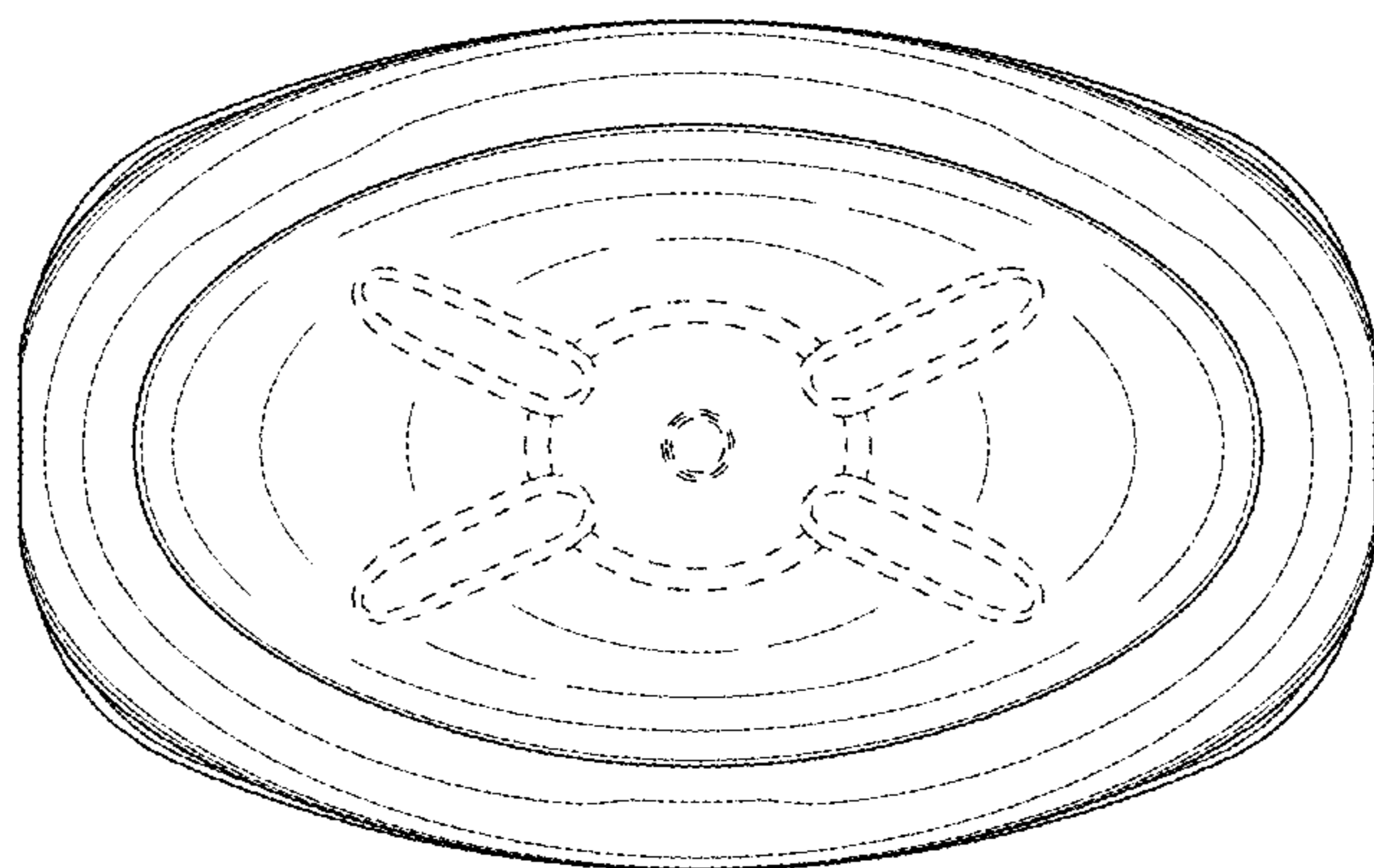


FIG. 16