



US00D951095S

(12) **United States Design Patent**
Hagger et al.

(10) **Patent No.:** **US D951,095 S**

(45) **Date of Patent:** **** *May 10, 2022**

- (54) **CONTAINER WITH LID**
- (71) Applicants: **Sam Hagger**, London (GB); **Noel Batt**, Amsterdam (NL)
- (72) Inventors: **Sam Hagger**, London (GB); **Noel Batt**, Amsterdam (NL)
- (*) Notice: This patent is subject to a terminal disclaimer.
- (**) Term: **15 Years**
- (21) Appl. No.: **29/814,581**
- (22) Filed: **Nov. 5, 2021**

Related U.S. Application Data

- (63) Continuation-in-part of application No. 29/731,143, filed on May 21, 2020.
- (51) **LOC (13) Cl.** **09-01**
- (52) **U.S. Cl.**
USPC **D9/523**; D9/503; D9/504
- (58) **Field of Classification Search**
USPC D9/500–505, 516, 519, 523, 529, 549, D9/550, 556, 558, 563, 575, 547, 548
CPC B65D 1/0246; B65D 41/04; B65D 1/0223; B65D 2543/00092; Y10S 220/906
See application file for complete search history.

(56) **References Cited**

U.S. PATENT DOCUMENTS

- D21,628 S * 6/1892 Underhill D9/503
- D263,581 S * 3/1982 Kaye D13/103
- D278,121 S * 3/1985 Sussman D9/504
- D280,975 S * 10/1985 Van Dine D9/504
- 4,907,719 A * 3/1990 Spotholz A47G 19/12
220/216
- 5,052,592 A * 10/1991 Wilken B65D 83/0033
222/212
- D322,753 S * 12/1991 Sussman D9/504

- 5,207,341 A * 5/1993 Yeager B65D 1/0246
215/246
- D381,259 S * 7/1997 Hayes D9/454
H2217 H * 6/2008 Smay D9/503
- D612,240 S * 3/2010 Cresswell D9/504
- D699,112 S * 2/2014 Jung D9/504
- D765,512 S * 9/2016 Joulia D9/504
- D779,285 S * 2/2017 Seiders D7/624.2
- D786,025 S * 5/2017 Seiders D7/606
- D787,317 S * 5/2017 Dunn D9/500

(Continued)

Primary Examiner — Brett Miller
Assistant Examiner — Rani J Abdallah

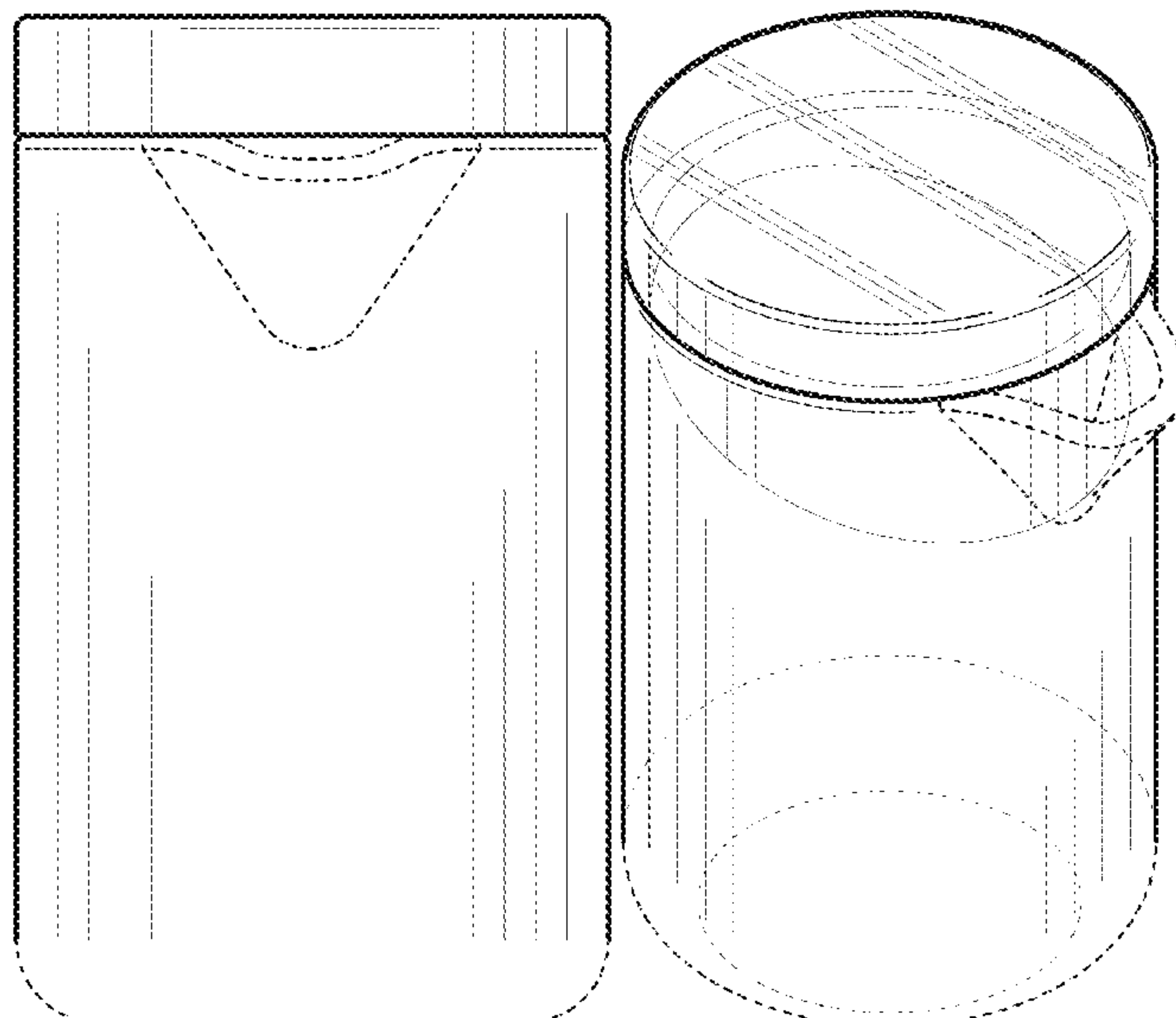
(57) **CLAIM**

The ornamental design for a container with lid, as shown and described.

DESCRIPTION

FIG. 1 is a front view of the first embodiment of a container with lid.
 FIG. 2 is a right side view thereof;
 FIG. 3 is a rear view thereof;
 FIG. 4 is a top view thereof;
 FIG. 5 is a top left perspective view thereof;
 FIG. 6 is a bottom left perspective view thereof;
 FIG. 7 is a front, exploded view thereof;
 FIG. 8 is a right side, exploded view thereof;
 FIG. 9 is a rear, exploded view thereof;
 FIG. 10 is a top left perspective, exploded view thereof;
 FIG. 11 is a bottom left perspective, exploded view thereof;
 FIG. 12 is a top left perspective, exploded view thereof, showing a position.
 FIG. 13 is a top left perspective, exploded view thereof, showing alternate position; and,
 FIG. 14 is a top left perspective view of the second embodiment of a container with lid.
 The broken lines are for environmental purposes only and form no part of the claimed design.

1 Claim, 14 Drawing Sheets



(56)

References Cited

U.S. PATENT DOCUMENTS

D828,113	S	*	9/2018	Fleischhut	D9/503
D839,049	S	*	1/2019	Seiders	D7/510
D844,438	S	*	4/2019	Deylamian	D9/503
D847,645	S	*	5/2019	Lee	D9/504
D879,564	S	*	3/2020	Adams, Jr	D7/612
D907,497	S	*	1/2021	Laib	D9/500
D909,207	S	*	2/2021	Blomberg	D9/504
D911,843	S	*	3/2021	Kick	D9/503
D913,100	S	*	3/2021	Duong	D9/504
D915,205	S	*	4/2021	Castellanos	D9/504
D917,292	S	*	4/2021	Blomberg	D9/504
D918,040	S	*	5/2021	Blomberg	D9/504
D920,793	S	*	6/2021	Hawry	D9/503
D925,362	S	*	7/2021	Lanz	D9/503
D929,863	S	*	9/2021	Demers	D9/504
2016/0130063	A1	*	5/2016	Demery	B65D 43/0212 220/200

* cited by examiner

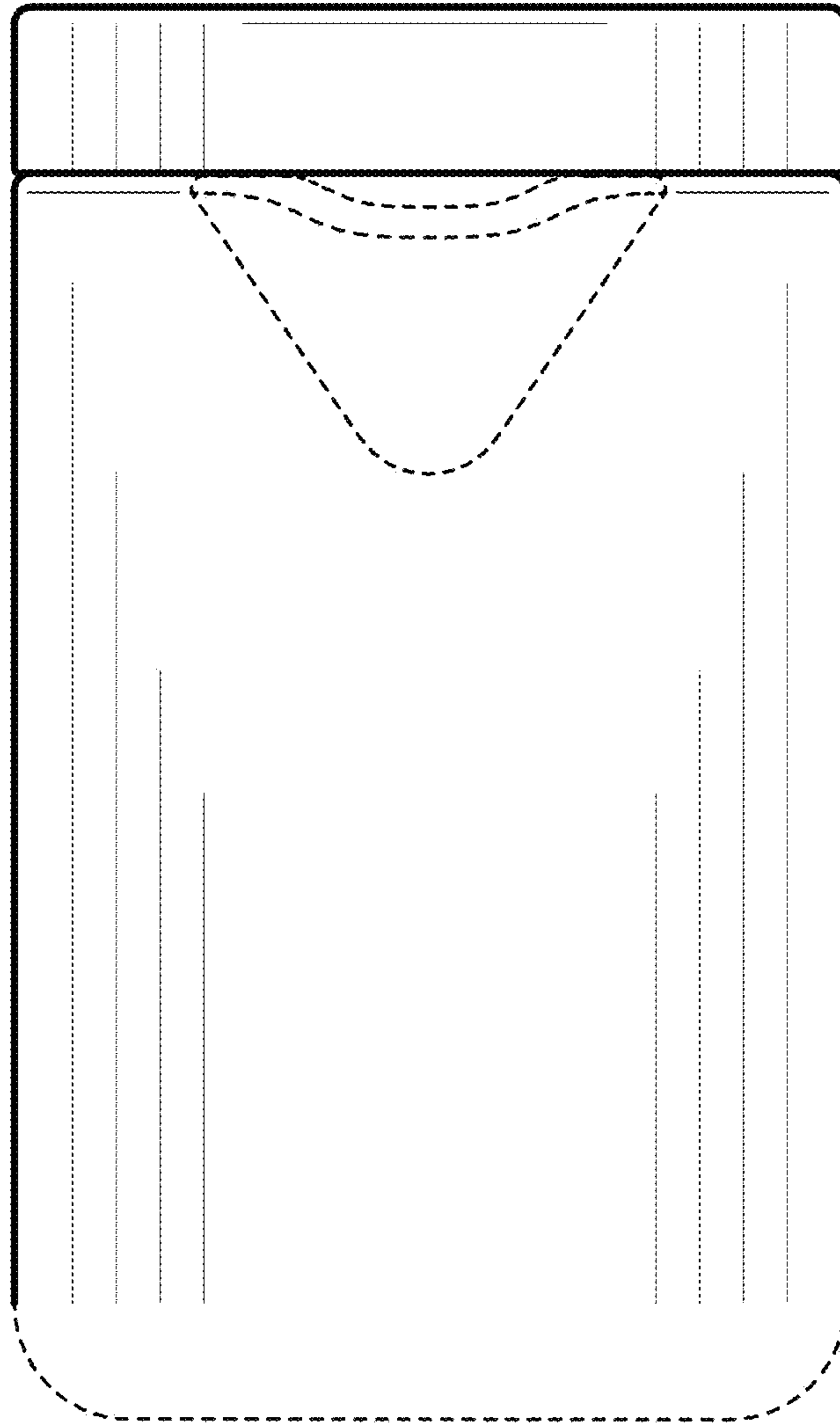


Fig. 1

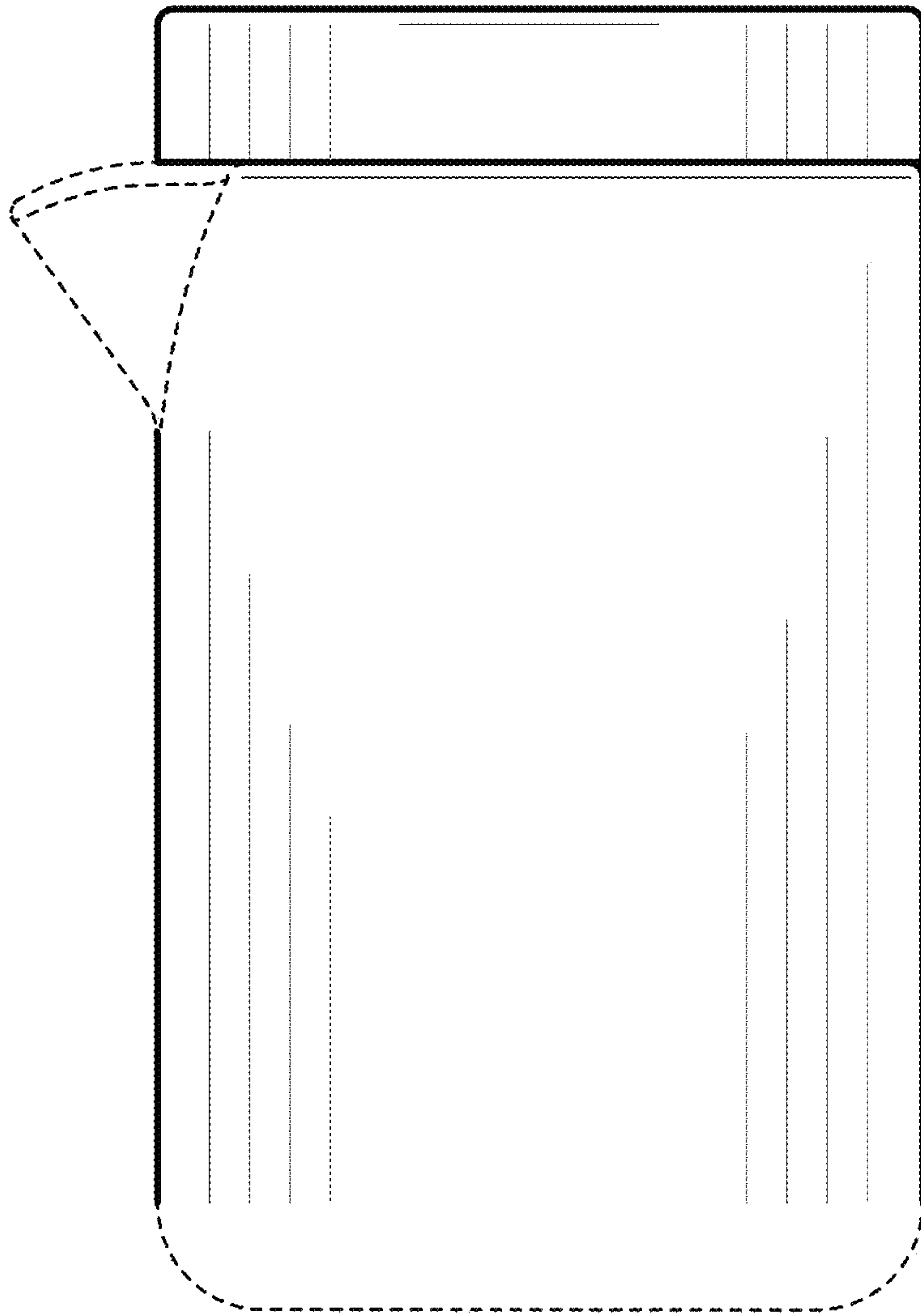


Fig. 2

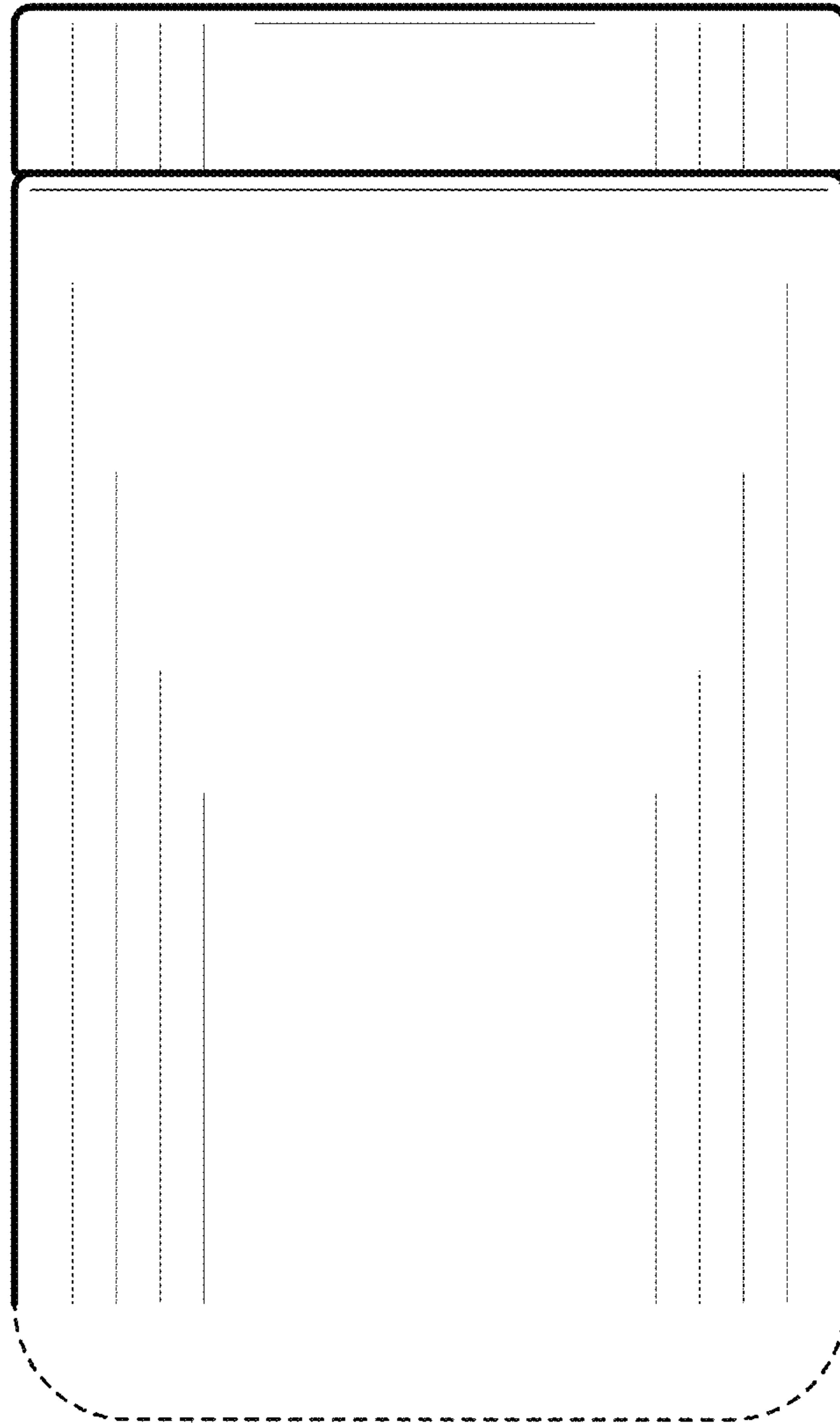


Fig. 3

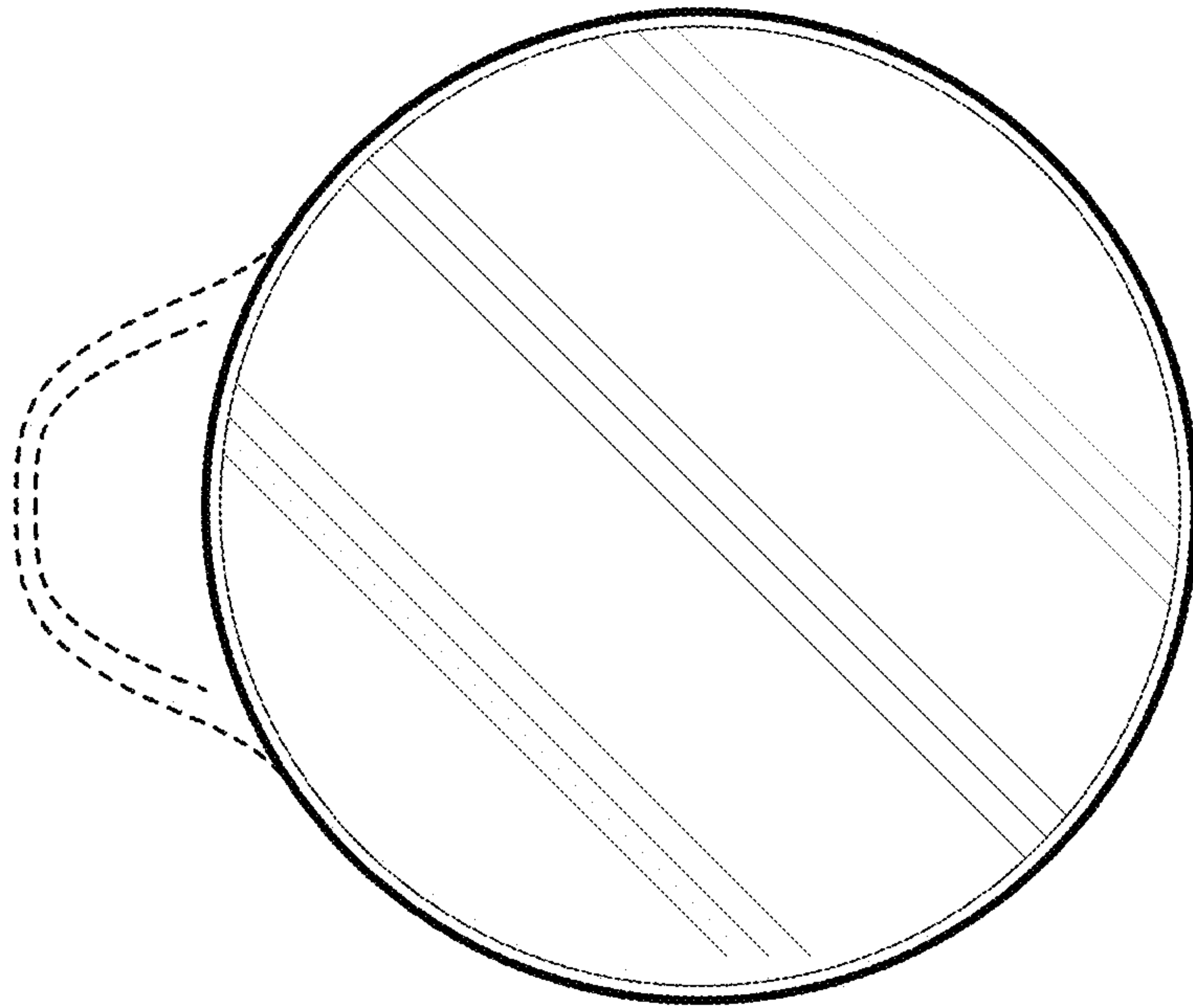


Fig. 4

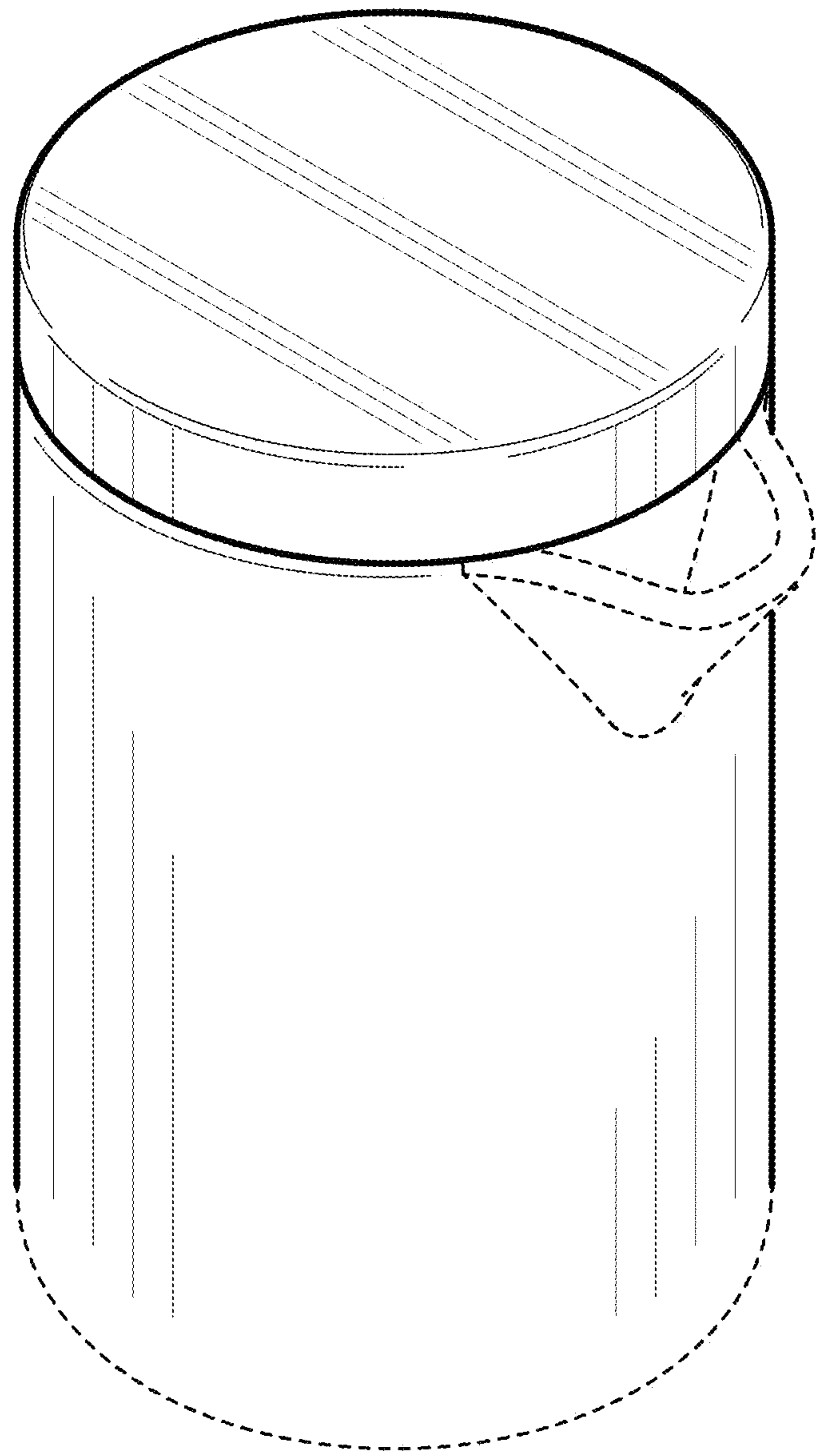


Fig. 5

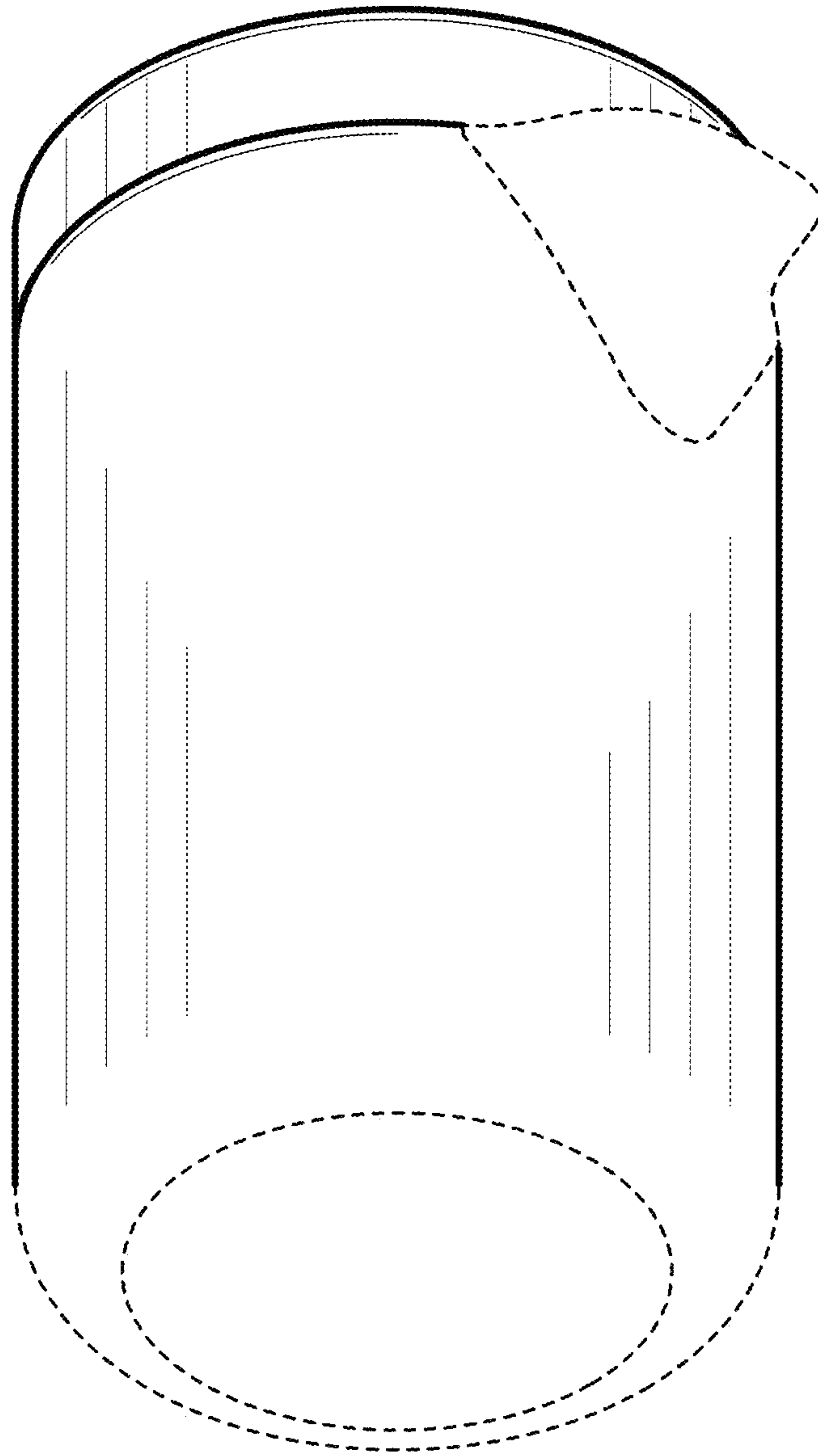


Fig. 6

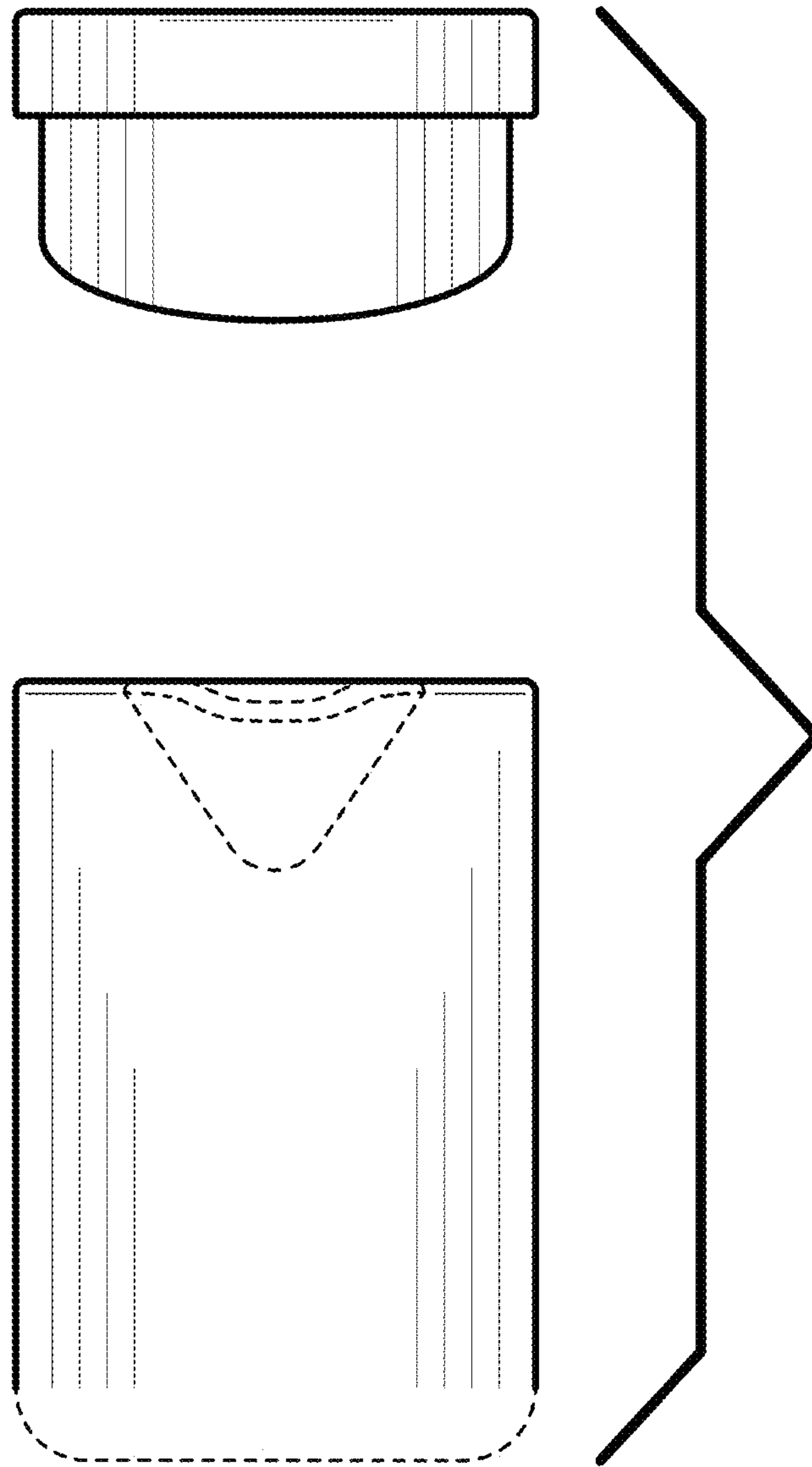


Fig. 7

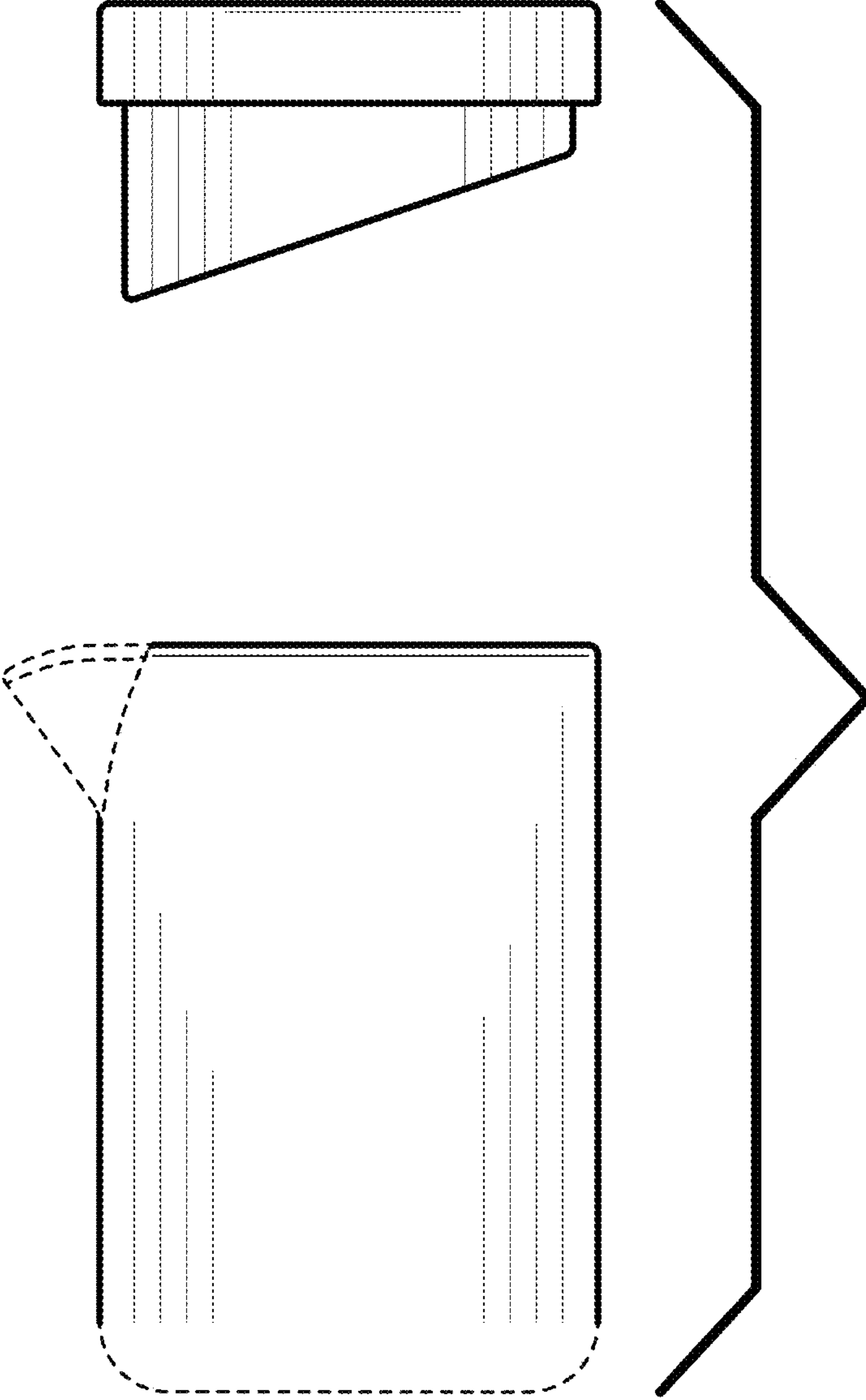


Fig. 8

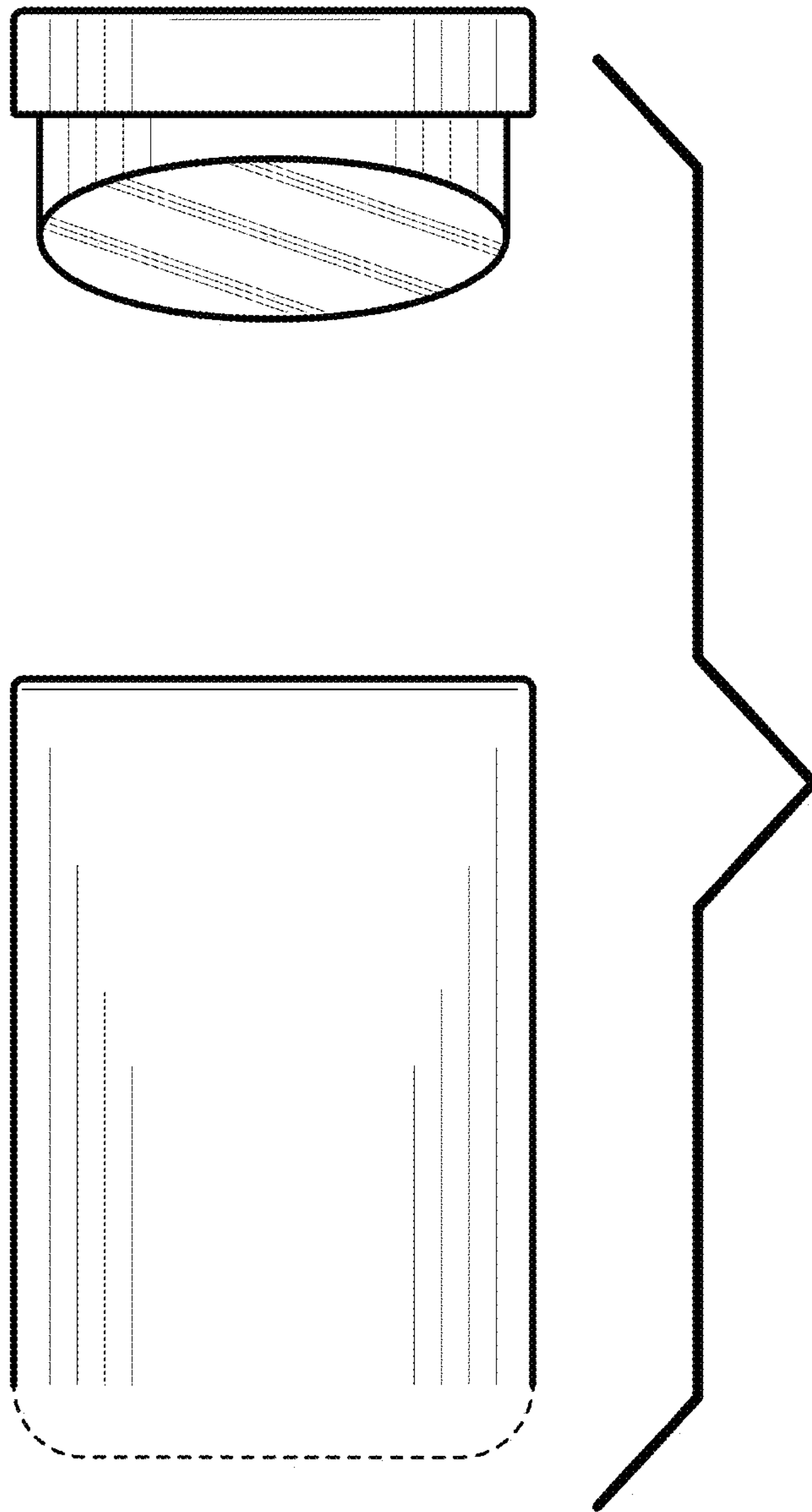


Fig. 9

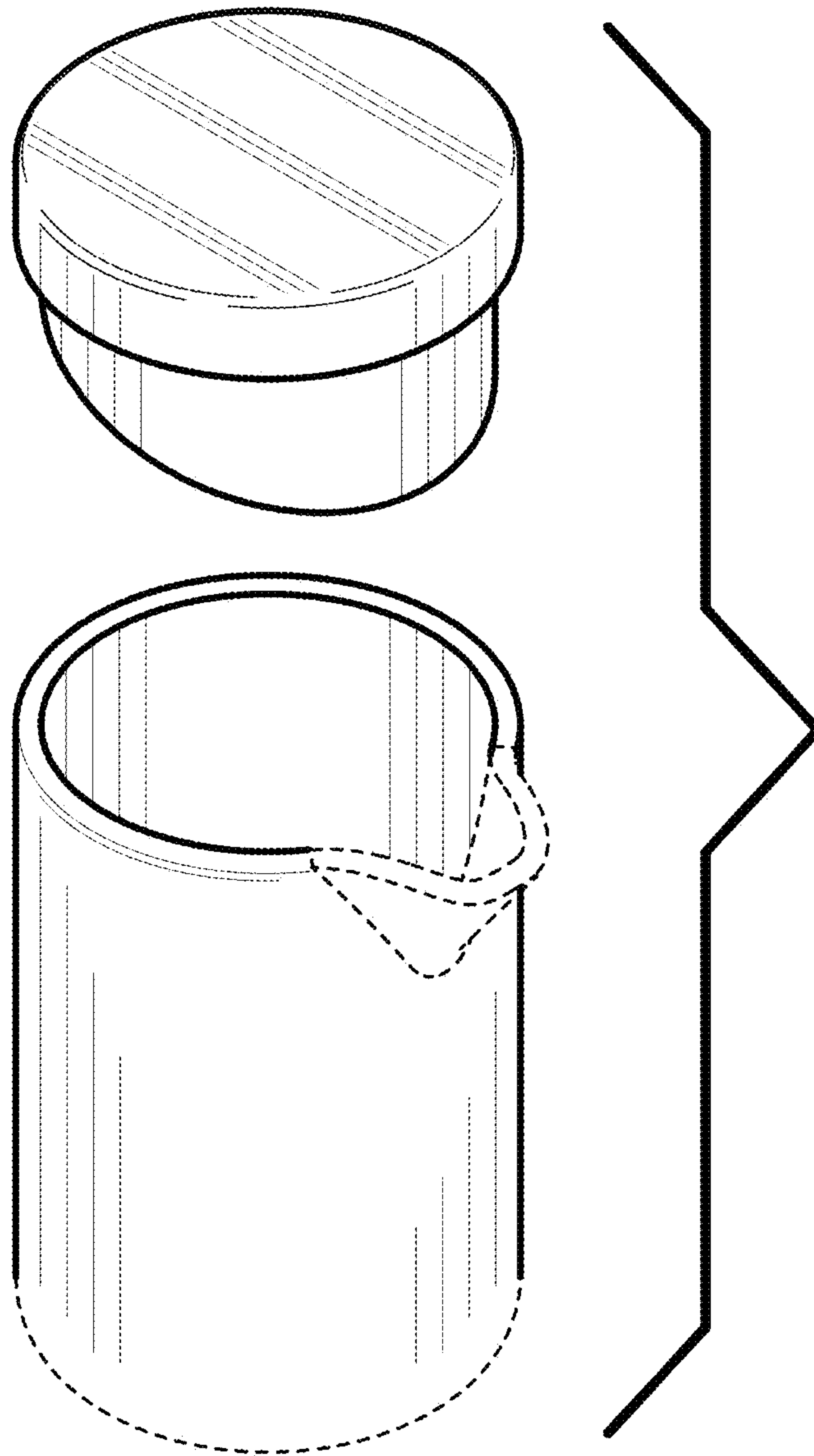


Fig. 10

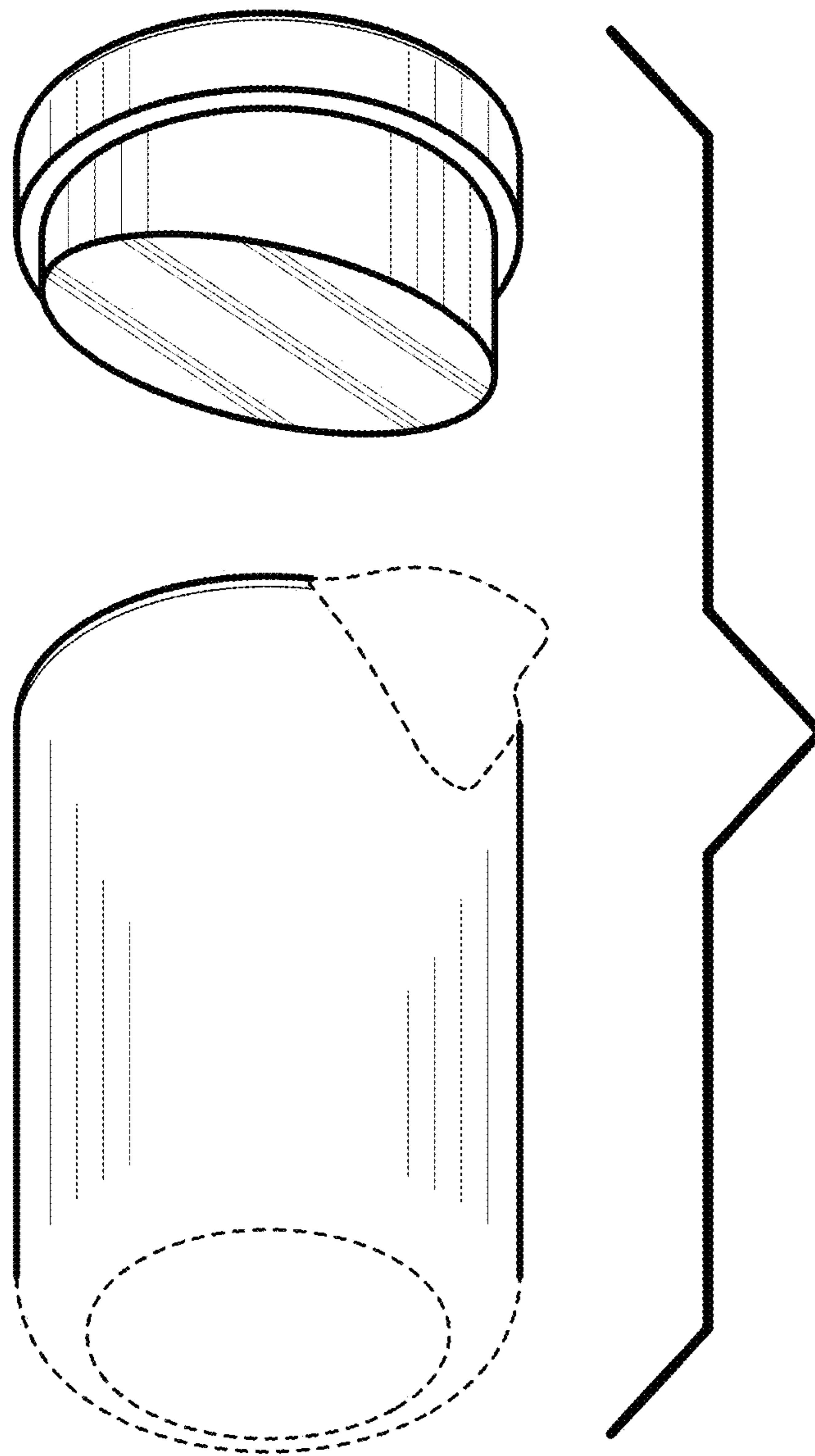


Fig. 11

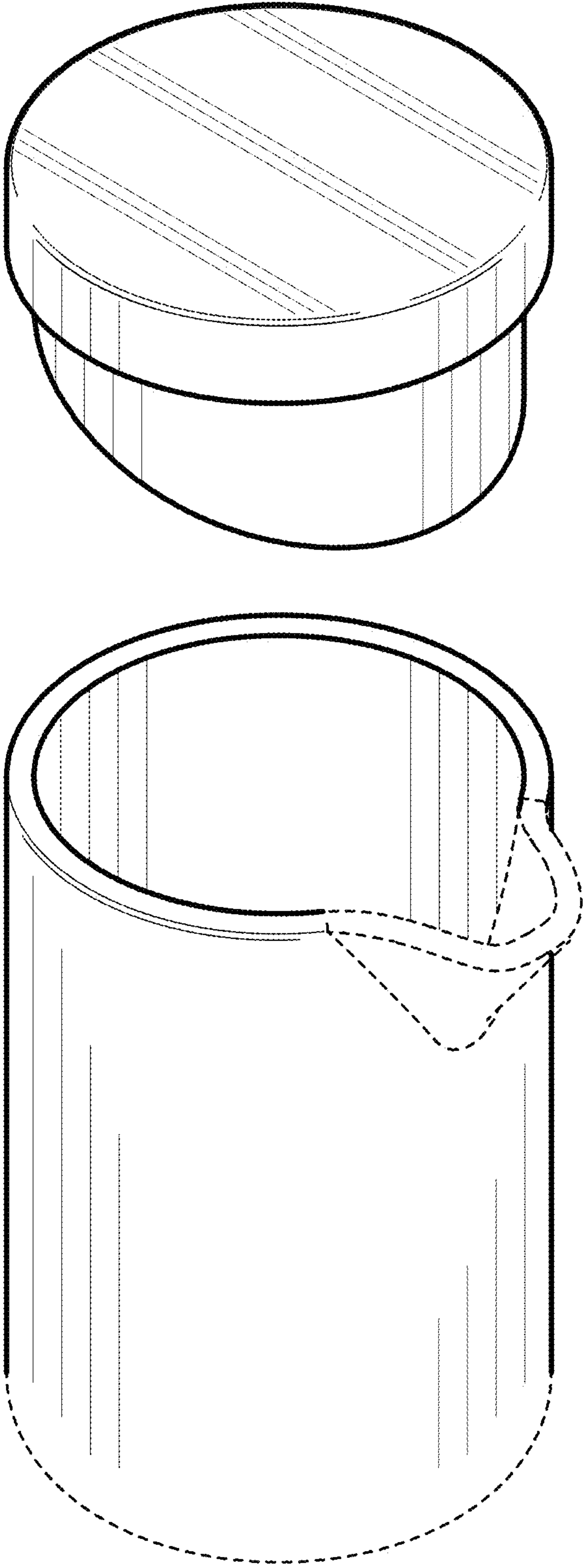


Fig. 12

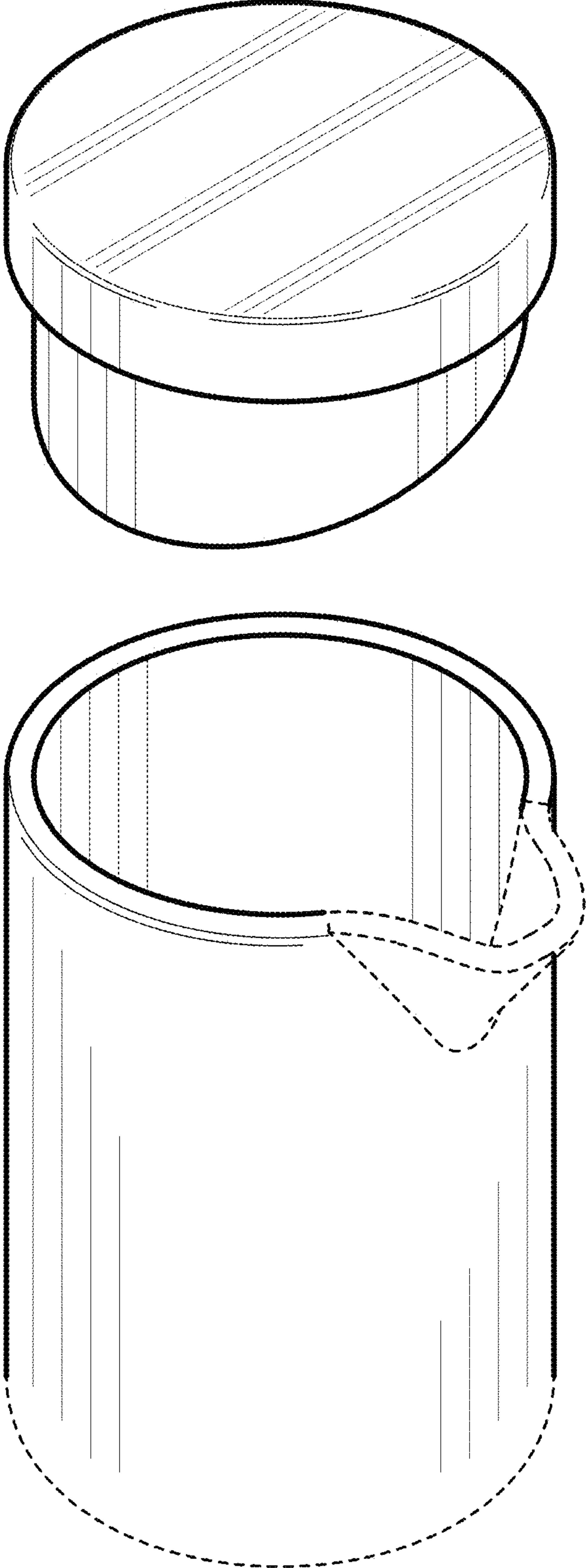


Fig. 13

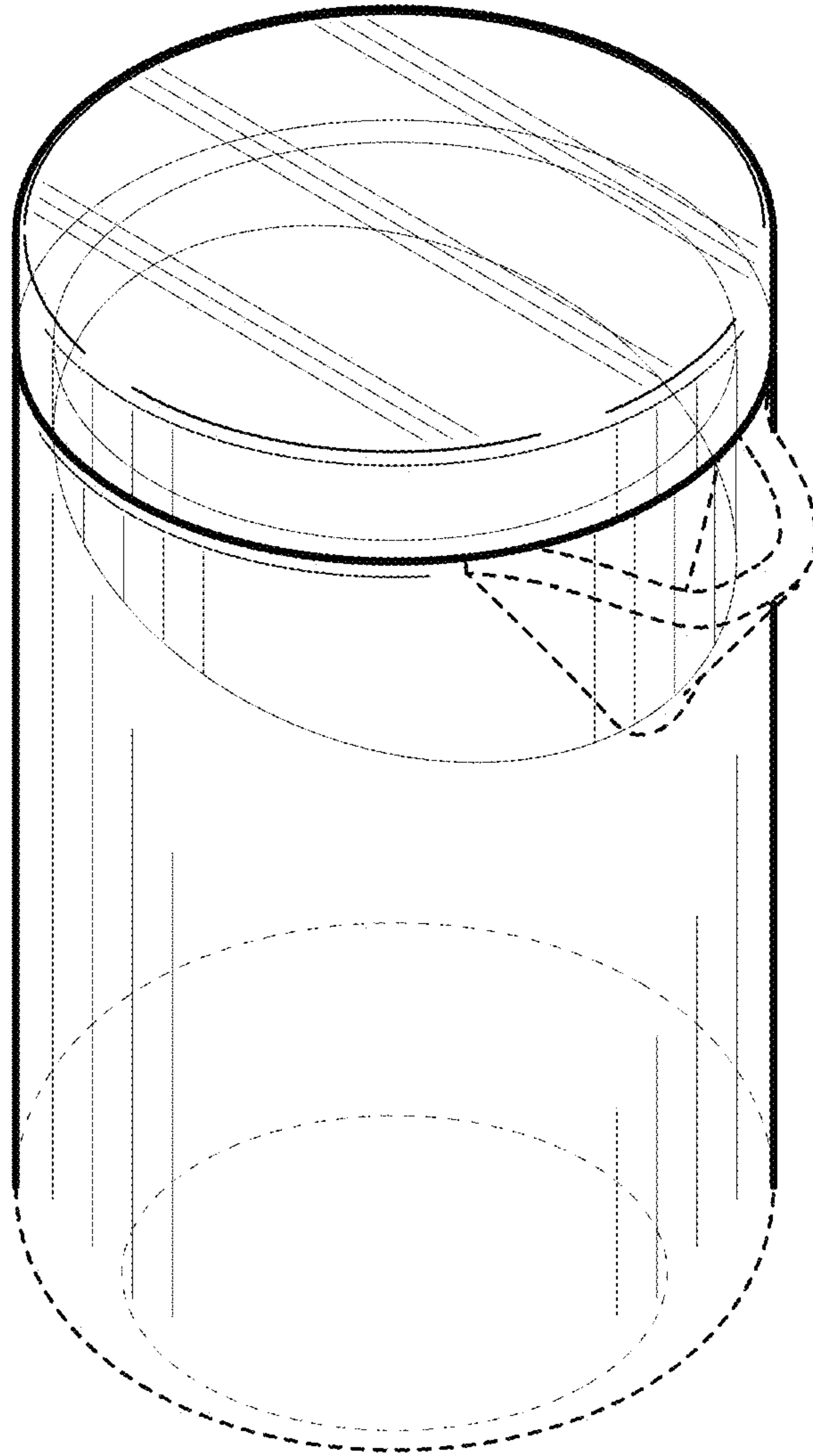


Fig. 14