



US00D951093S

(12) **United States Design Patent**
Clay et al.

(10) **Patent No.:** **US D951,093 S**

(45) **Date of Patent:** **** May 10, 2022**

(54) **JAR**

(71) Applicant: **Blue Buffalo Enterprises, Inc.**, Wilton, CT (US)

(72) Inventors: **John Kevin Clay**, Milford, CT (US);
Nicole Kandoth, Nyack, NY (US);
James E McCay, Fairfield, CT (US)

(73) Assignee: **Blue Buffalo Enterprises, Inc.**, Wilton, CT (US)

(**) Term: **15 Years**

(21) Appl. No.: **29/706,267**

(22) Filed: **Sep. 19, 2019**

(51) **LOC (13) Cl.** **09-01**

(52) **U.S. Cl.**

USPC **D9/500; D9/520**

(58) **Field of Classification Search**

USPC D9/434, 500, 502-504, 516, 519, 530,
D9/537, 539-540, 549, 558, 645, 682,
D9/686, 690, 715, 719; D26/9, 22

CPC B65D 1/00; B65D 1/02; B65D 1/0223;
B65D 2501/00; B65D 2501/0009; A45D
34/042; A45D 34/045

See application file for complete search history.

(56) **References Cited**

U.S. PATENT DOCUMENTS

D20,519 S * 2/1891 Estes D9/503
D57,488 S * 4/1921 Vivaudou D9/503

D205,687 S * 9/1966 Bartlett D7/540
D485,182 S * 1/2004 Gaydon D9/504
D624,431 S * 9/2010 Gentil D9/552
D739,735 S * 9/2015 Darling D9/500
D855,466 S * 8/2019 Chen D9/504
D885,190 S * 5/2020 Chen D9/504

* cited by examiner

Primary Examiner — Dana Meyrow

(74) *Attorney, Agent, or Firm* — Diederiks & Whitelaw, PLC; Annette M. Frawley, Esq.

(57) **CLAIM**

The ornamental design for a jar, as shown and described.

DESCRIPTION

FIG. 1 is an upper perspective view of a jar according to our new design;

FIG. 2 is front view of the jar;

FIG. 3 is a rear view of the jar;

FIG. 4 is a right view of the jar;

FIG. 5 is a left view of the jar;

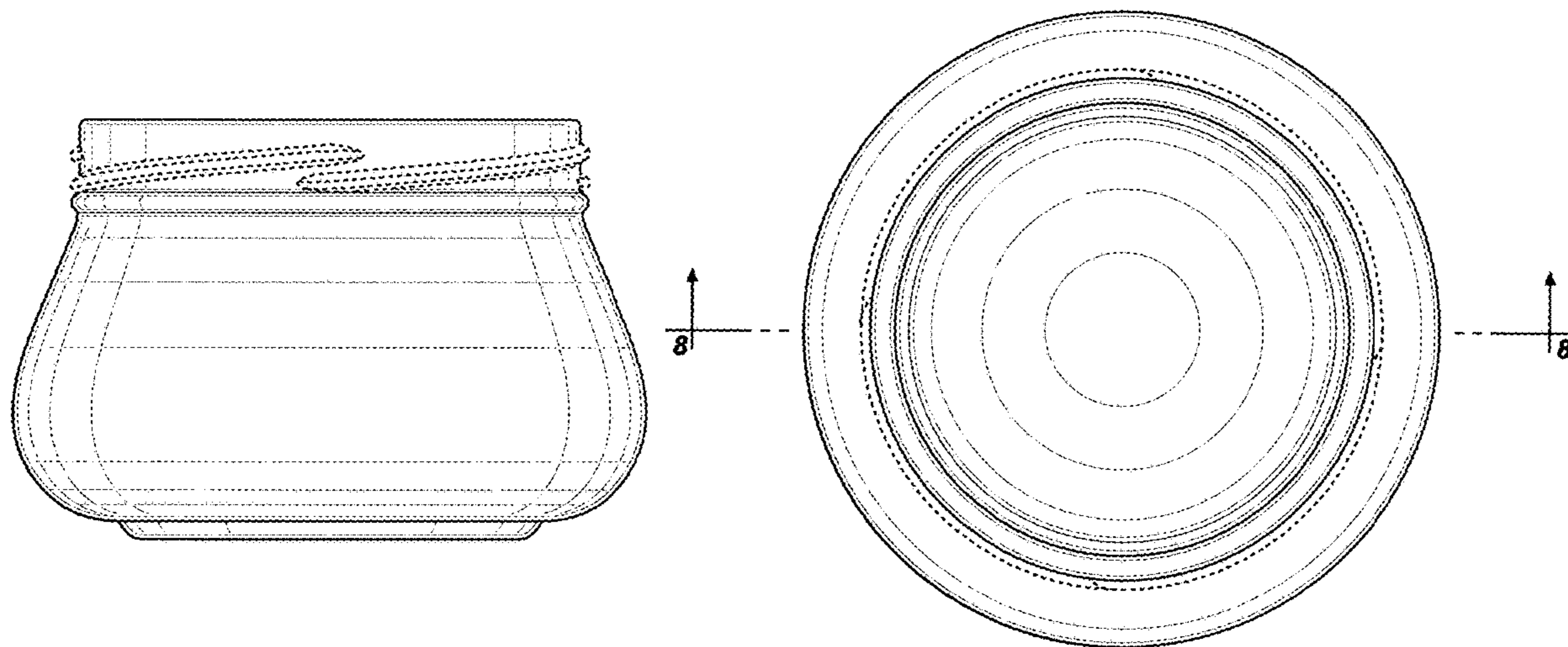
FIG. 6 is a top view of the jar;

FIG. 7 is a bottom view of the jar; and,

FIG. 8 is a cross section view of the jar, taken along line 8-8 in FIG. 6.

The broken lines in the drawings showing the exterior screw threads illustrate the portions of the jar that form no part of the claimed design.

1 Claim, 5 Drawing Sheets



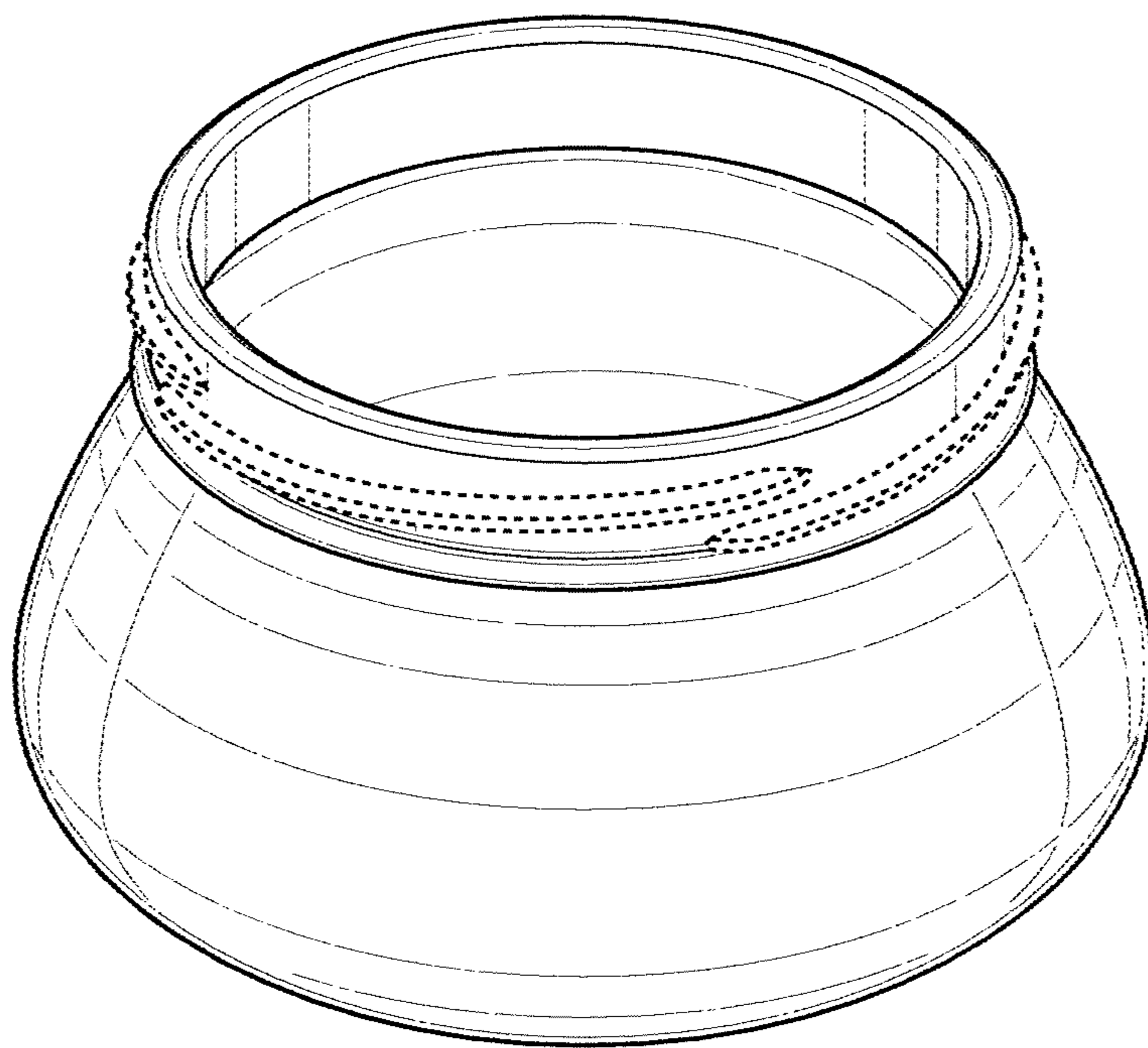


FIG. 1

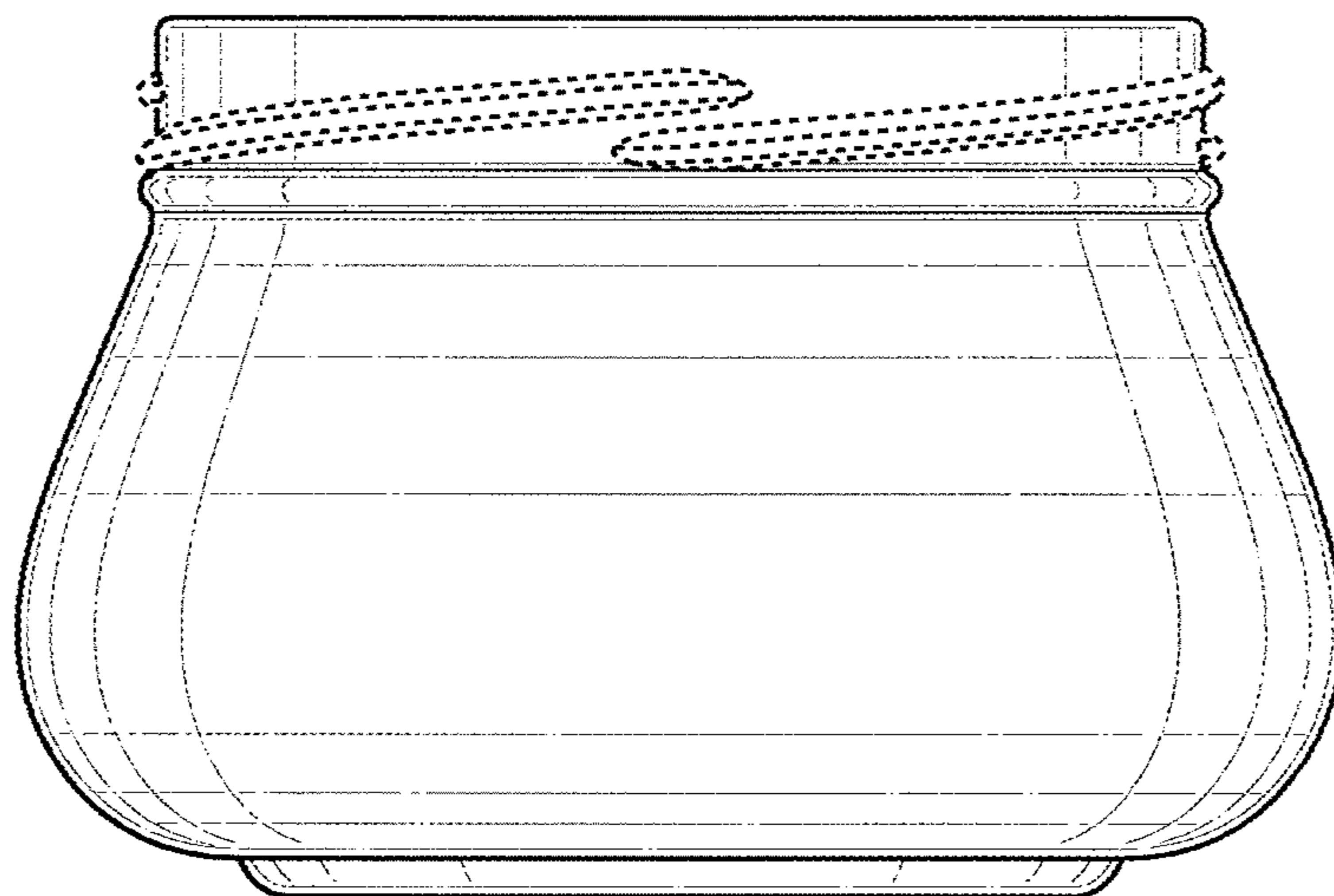


FIG. 2

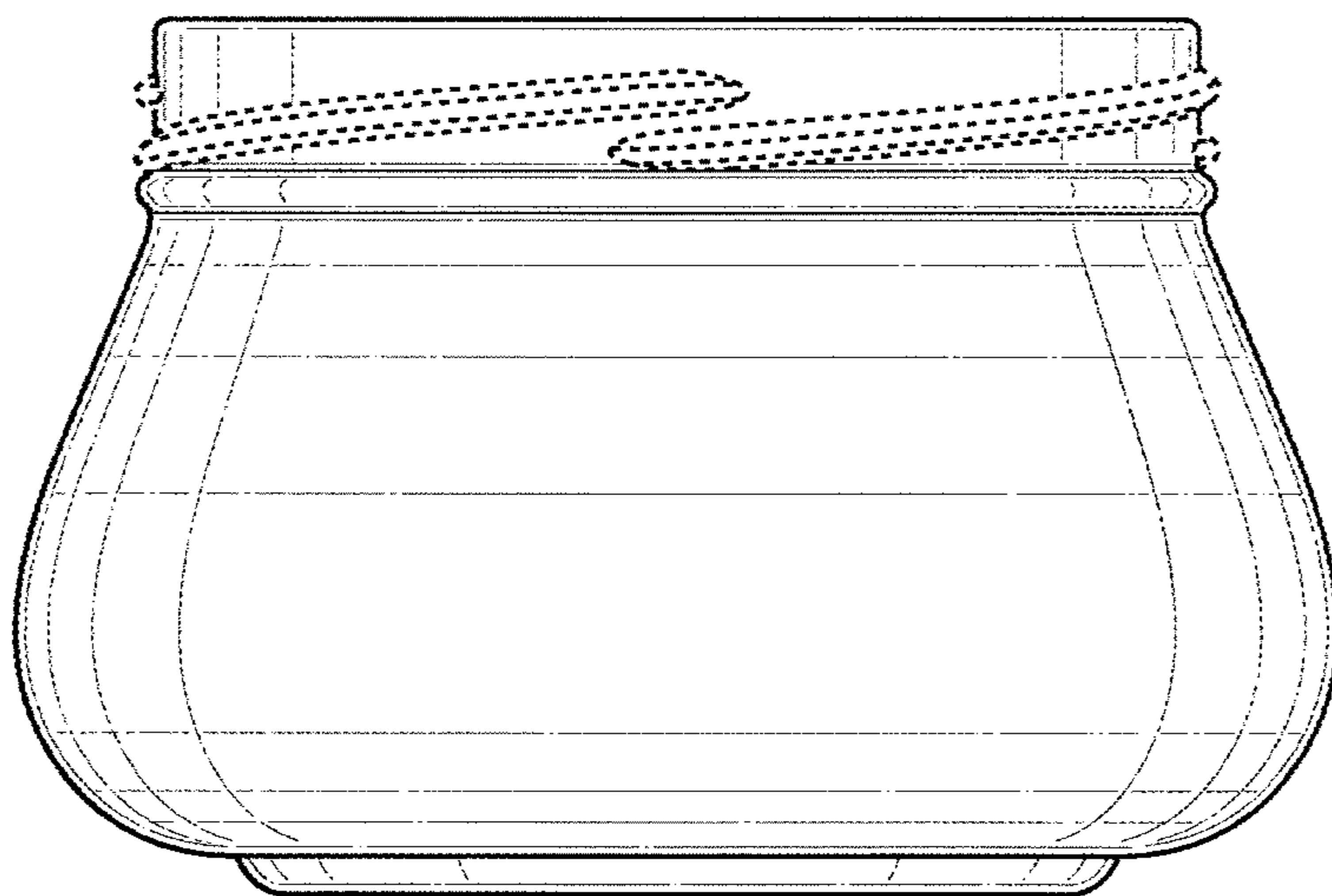


FIG. 3

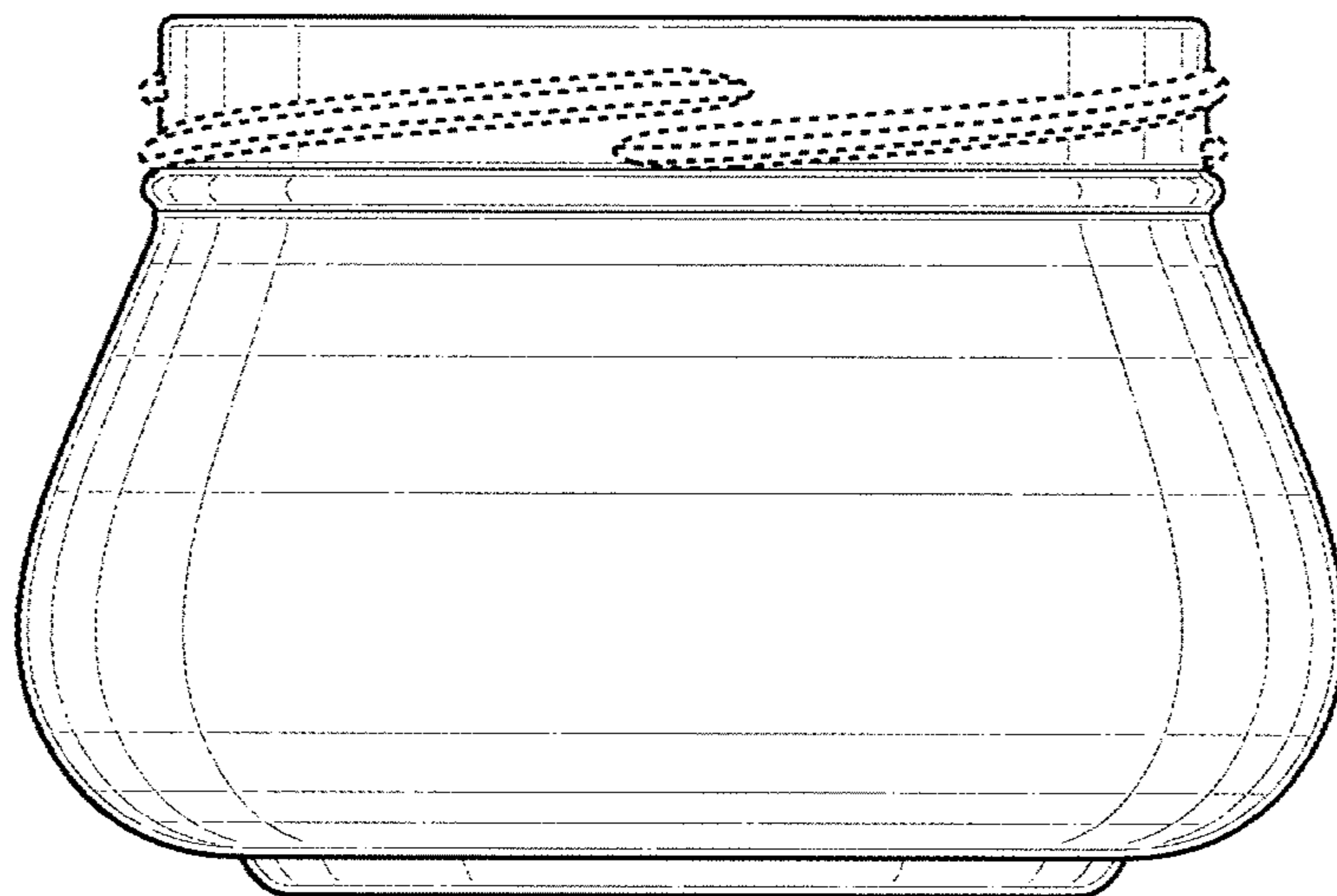


FIG. 4

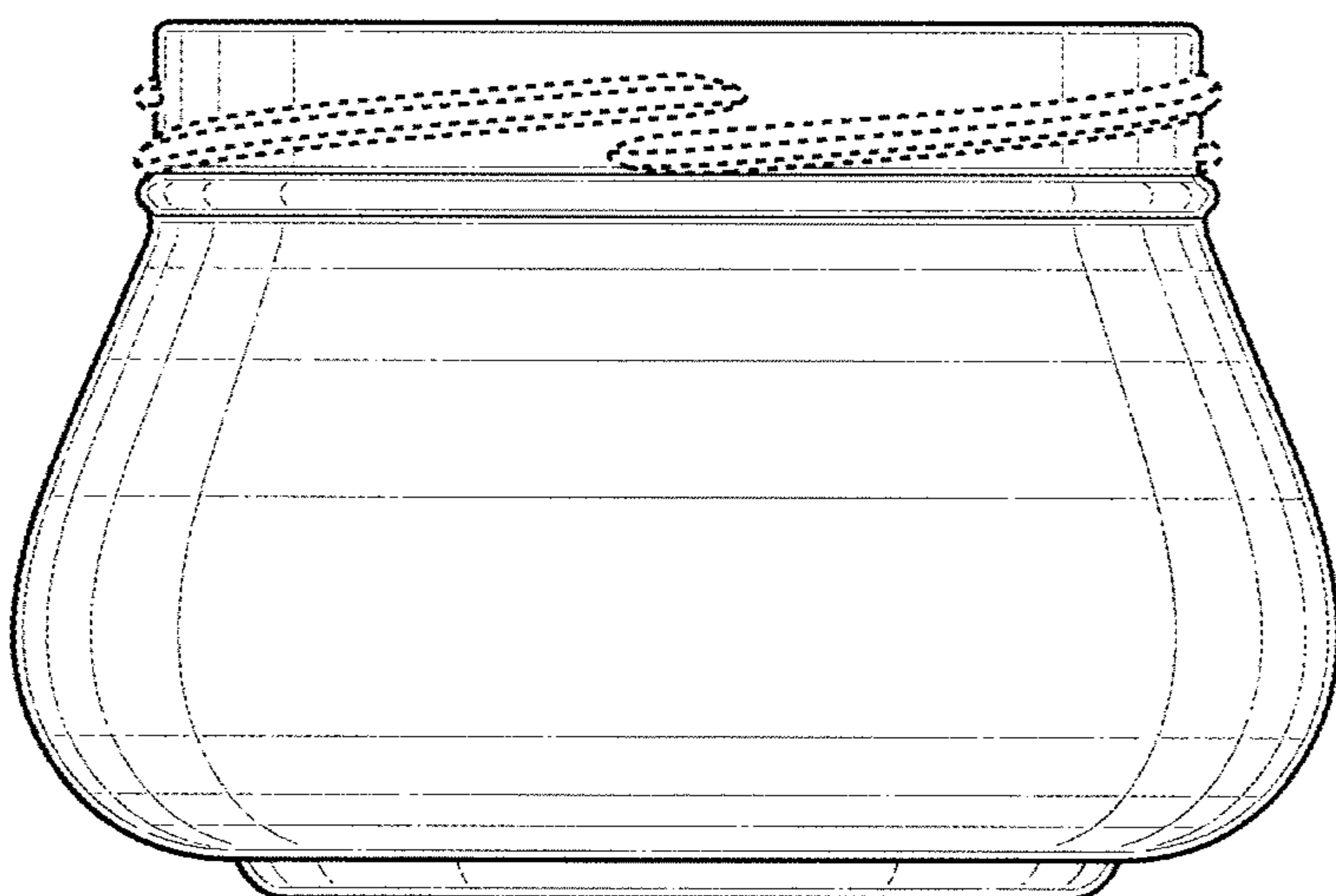


FIG. 5

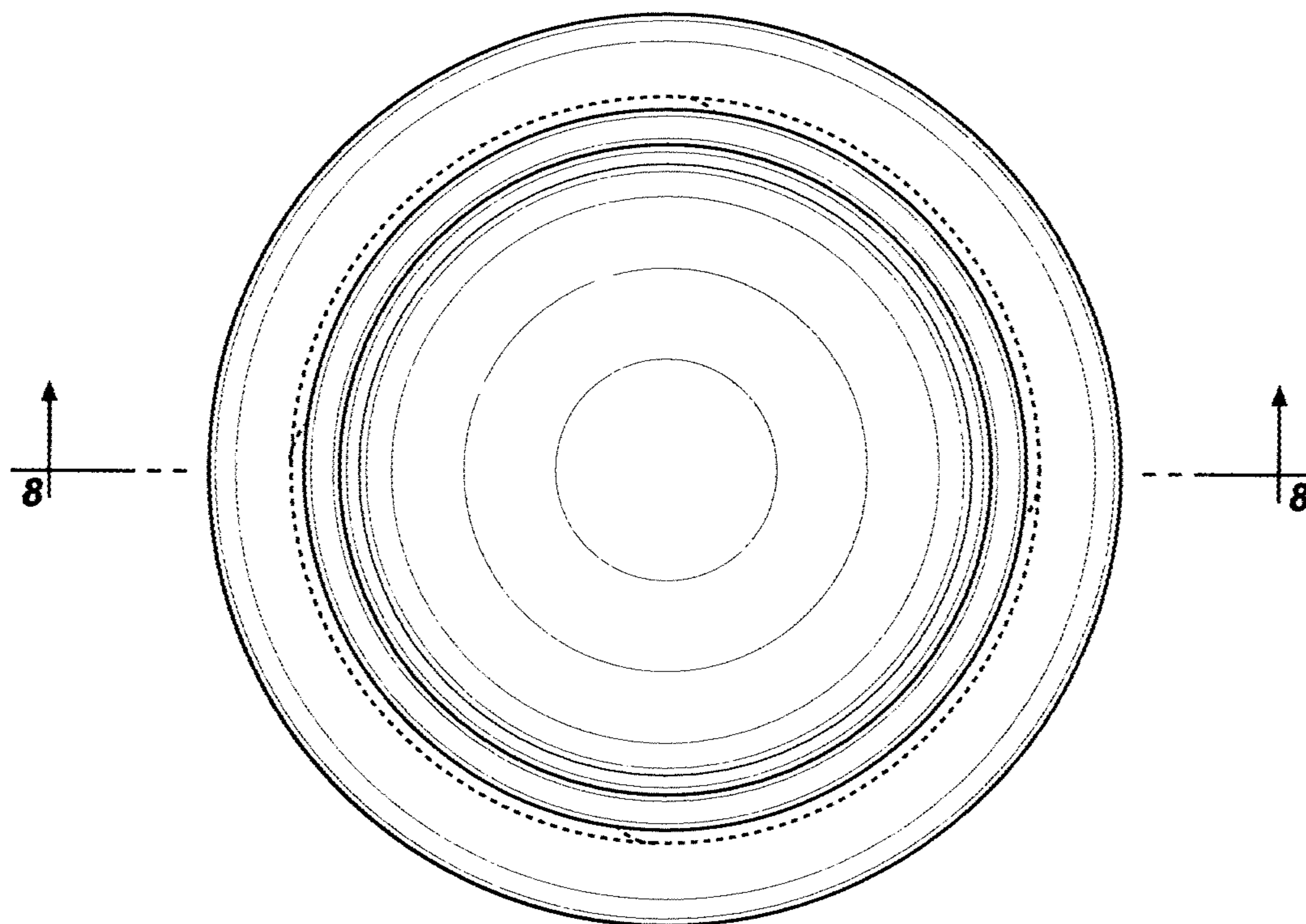


FIG. 6

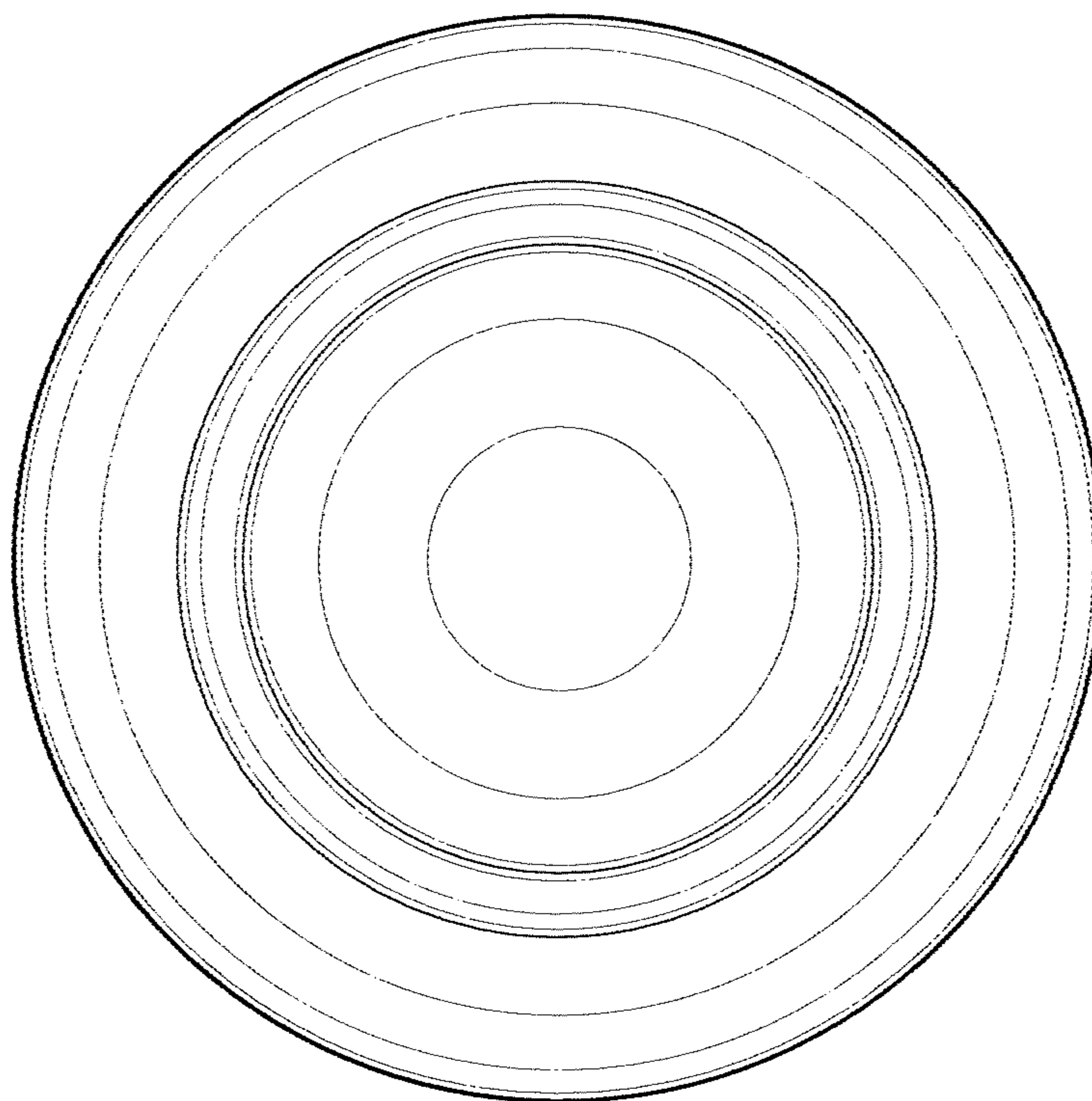


FIG. 7

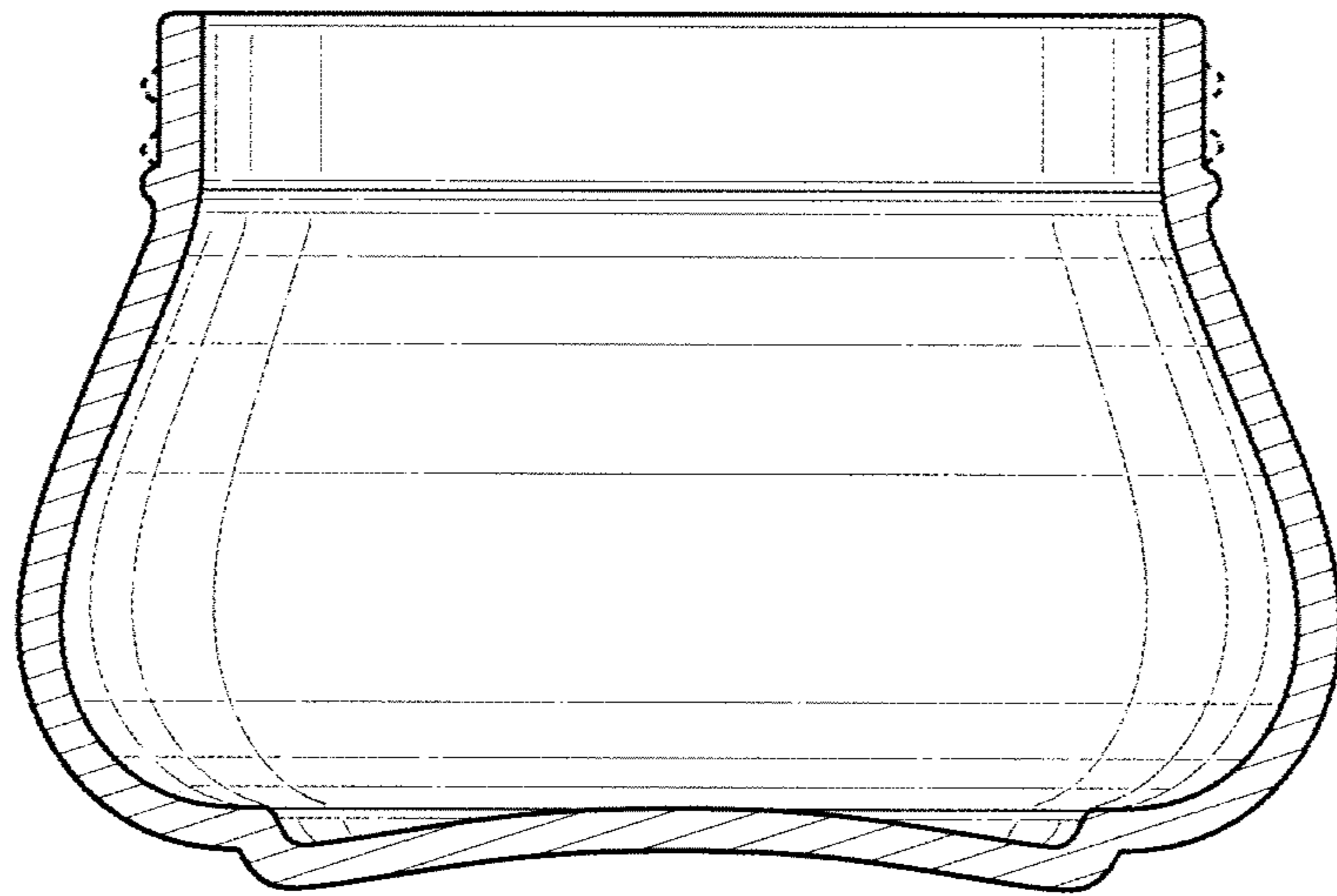


FIG. 8