



US00D951092S

(12) **United States Design Patent**  
**Aboabdo**

(10) **Patent No.:** **US D951,092 S**  
(45) **Date of Patent:** **\*\* May 10, 2022**

(54) **COMBINED CAP AND TAMPER-EVIDENT RING**

(71) Applicant: **Chubby Gorilla, Inc.**, Fullerton, CA (US)

(72) Inventor: **Ibrahiem H. Aboabdo**, Yorba Linda, CA (US)

(73) Assignee: **Chubby Gorilla, Inc.**, Fullerton, CA (US)

(\*\*) Term: **15 Years**

(21) Appl. No.: **29/778,419**

(22) Filed: **Apr. 13, 2021**

**Related U.S. Application Data**

(63) Continuation-in-part of application No. 29/744,903, filed on Jul. 31, 2020, which is a continuation-in-part of application No. 29/726,144, filed on Feb. 28, 2020.

(51) **LOC (13) Cl.** ..... **09-01**

(52) **U.S. Cl.**  
USPC ..... **D9/454**

(58) **Field of Classification Search**  
USPC ..... D9/500-505, 516, 519, 523, 529, 549, D9/550, 556, 558, 563, 575, 520, 547, D9/548, 452, 454, 435, 440, 445, 449, D9/447, 438; D32/31; D28/79, 89  
CPC .... B65D 1/0246; B65D 41/04; B65D 1/0223; B65D 2543/00092; Y10S 220/906  
See application file for complete search history.

(56) **References Cited**

**U.S. PATENT DOCUMENTS**

D127,479 S \* 5/1941 Buckingham ..... D9/503  
D284,270 S \* 6/1986 Pearce ..... D9/454  
5,052,592 A 10/1991 Wilken  
D322,753 S 12/1991 Sussman

(Continued)

**FOREIGN PATENT DOCUMENTS**

GB 2102706 \* 7/2001  
IN 269655-0001 \* 9/2015  
JP D1262309 2/2006

*Primary Examiner* — Brett Miller

*Assistant Examiner* — Rani J Abdallah

(74) *Attorney, Agent, or Firm* — Knobbe Martens Olson & Bear, LLP

(57) **CLAIM**

The ornamental design for a combined cap and tamper-evident ring, as shown and described herein.

**DESCRIPTION**

FIG. 1 is a top perspective view of a first embodiment of a combined cap and tamper-evident ring embodying the new design.

FIG. 2 is a bottom perspective view thereof.

FIG. 3 is a front view thereof.

FIG. 4 is a rear view thereof.

FIG. 5 is a first side view thereof.

FIG. 6 is a second side view thereof.

FIG. 7 is a top view thereof.

FIG. 8 is a bottom view thereof.

FIG. 9 is a top perspective view of a second embodiment of a combined cap and tamper-evident ring embodying the new design.

FIG. 10 is a bottom perspective view thereof.

FIG. 11 is a front view thereof.

FIG. 12 is a rear view thereof.

FIG. 13 is a first side view thereof.

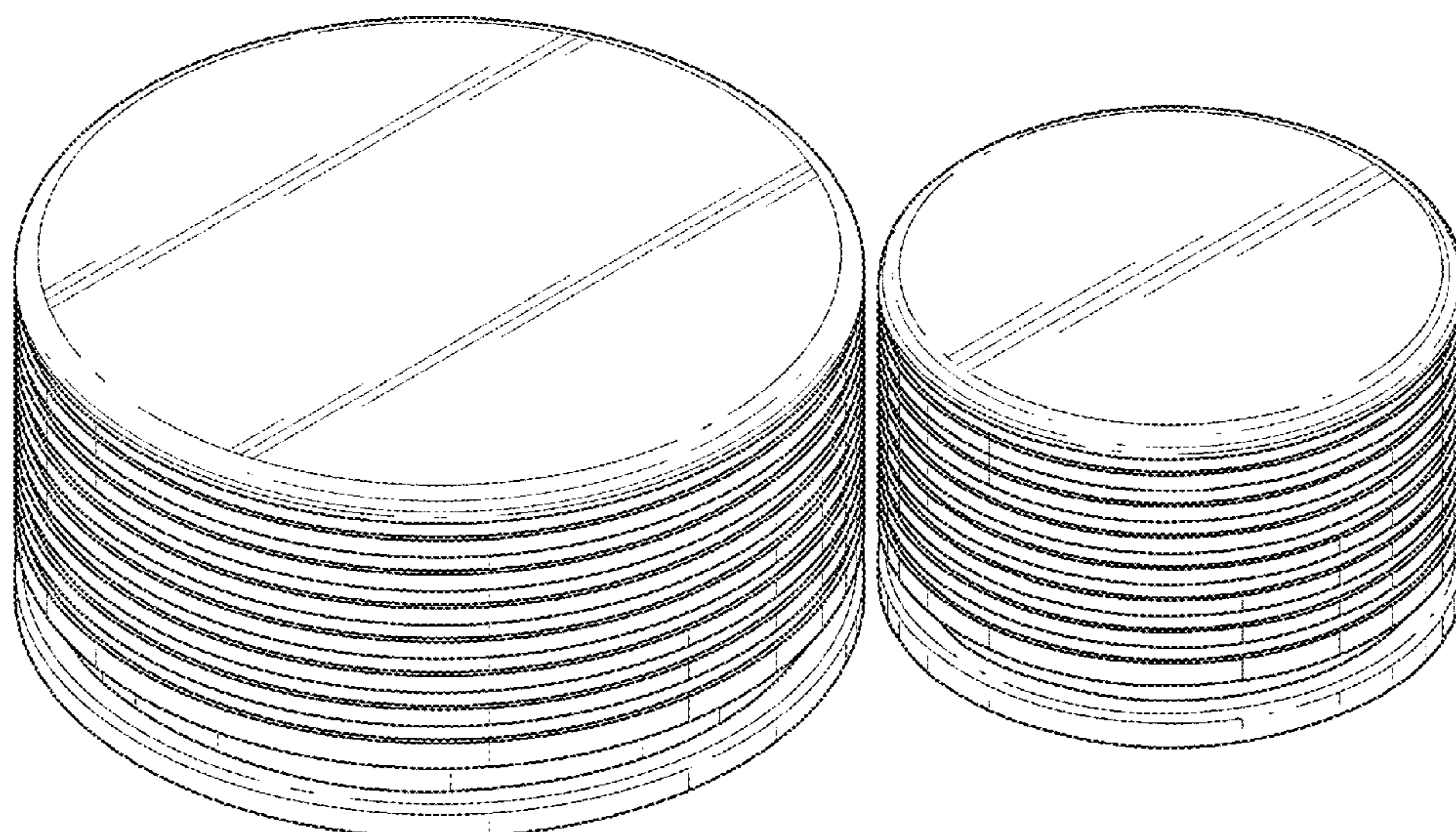
FIG. 14 is a second side view thereof.

FIG. 15 is a top view thereof; and,

FIG. 16 is a bottom view thereof.

All features in broken lines are for the purpose of illustrating environmental structure and form no part of the claimed design.

**1 Claim, 10 Drawing Sheets**



(56)

References Cited

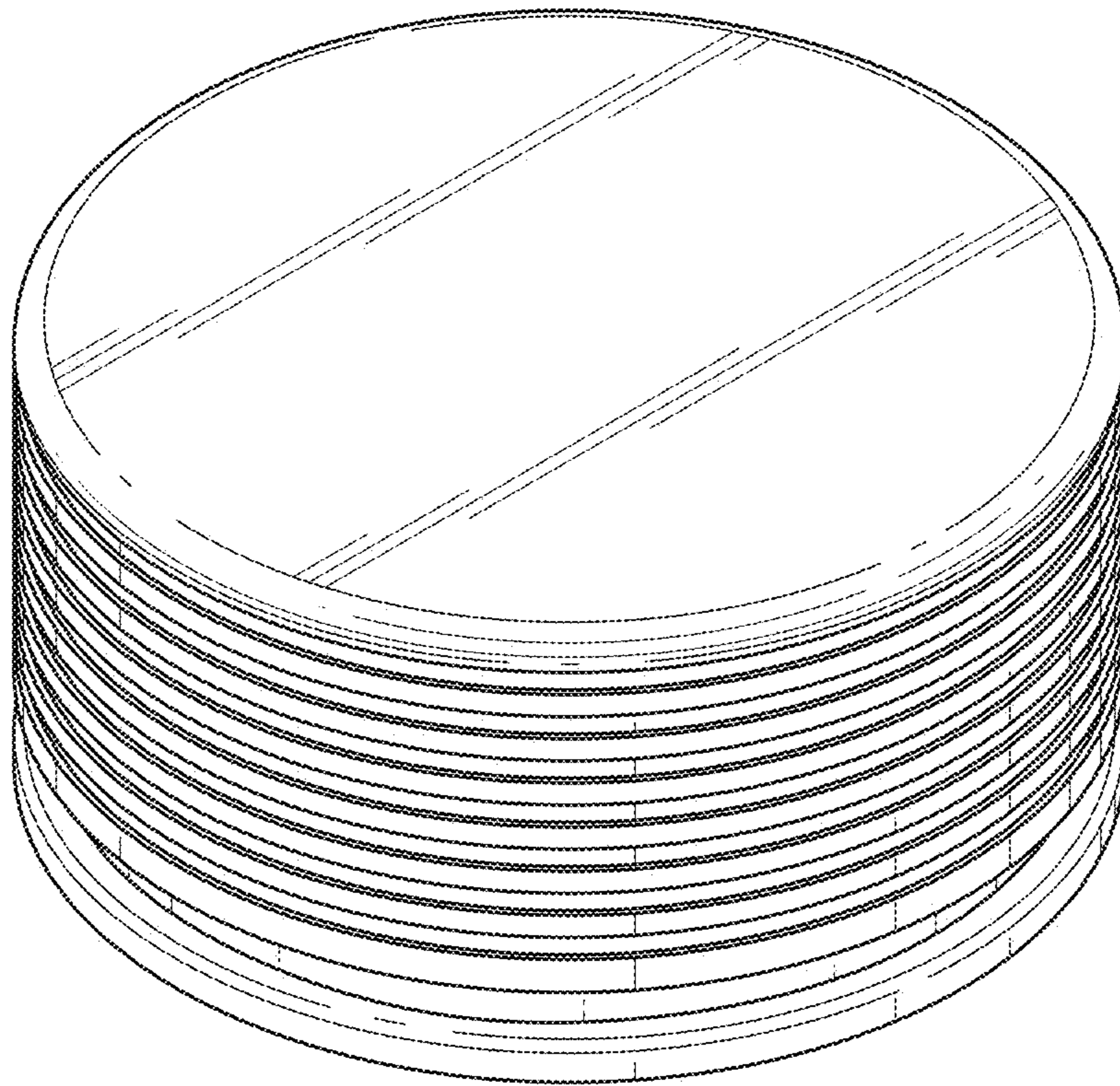
U.S. PATENT DOCUMENTS

5,207,341 A 5/1993 Yeager  
 D381,259 S 7/1997 Hayes  
 D430,293 S \* 8/2000 Jansen ..... D24/130  
 D499,650 S 12/2004 Crawford  
 H2217 H 6/2008 Smay  
 D603,502 S \* 11/2009 Petersen ..... D24/133  
 D612,240 S 3/2010 Cresswell  
 D628,077 S \* 11/2010 Lee ..... D9/529  
 D633,653 S 3/2011 Lee  
 D659,539 S 5/2012 Bakic  
 8,596,477 B2 \* 12/2013 Kras ..... B65D 41/3409  
 215/276  
 D733,967 S 7/2015 Schlatter  
 D739,256 S 9/2015 Kim  
 D766,093 S 9/2016 Otani  
 D770,284 S 11/2016 Luu  
 D773,660 S \* 12/2016 Shiozaki ..... D24/130  
 D776,354 S 1/2017 Schlatter  
 D794,178 S \* 8/2017 Daniel ..... A61M 5/31501  
 D24/113  
 D799,755 S 10/2017 Chertoff  
 D800,983 S 10/2017 Lee  
 D803,055 S 11/2017 Luu  
 D828,113 S 9/2018 Fleischhut  
 D844,438 S 4/2019 Deylamian  
 D847,645 S 5/2019 Lee

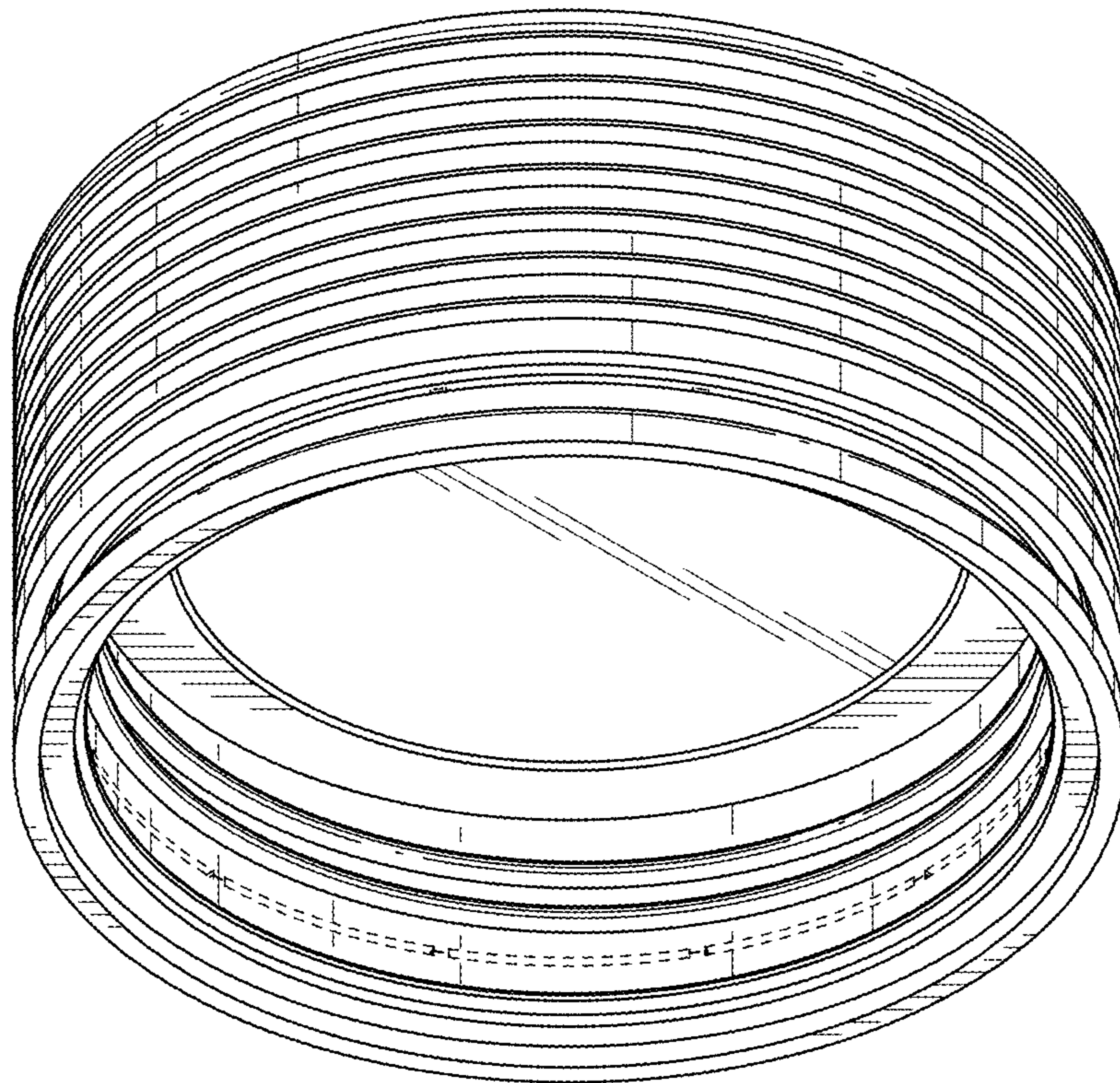
D857,516 S 8/2019 Lutens  
 D867,883 S 11/2019 Luu  
 D871,844 S 1/2020 Adams, Jr.  
 D888,508 S 6/2020 Rane  
 D888,509 S 6/2020 Rane  
 D889,966 S 7/2020 Gautier  
 D893,300 S 8/2020 Aboabdo  
 D894,004 S 8/2020 Aboabdo  
 D900,615 S 11/2020 Gautier  
 D907,497 S 1/2021 Laib  
 D907,500 S 1/2021 Aboabdo  
 D907,501 S 1/2021 Aboabdo  
 D908,500 S 1/2021 Aboabdo  
 D909,207 S 2/2021 Blomberg  
 D909,877 S 2/2021 Hwang  
 D913,100 S 3/2021 Duong  
 D915,205 S 4/2021 Castellanos  
 D917,292 S 4/2021 Blomberg  
 D918,040 S 5/2021 Blomberg  
 D918,720 S 5/2021 Jiang  
 D922,875 S 6/2021 Gautier  
 D925,362 S \* 7/2021 Lanz ..... D9/503  
 D927,979 S \* 8/2021 Jiang ..... D9/504  
 D927,980 S \* 8/2021 Jiang ..... D9/504  
 D929,863 S \* 9/2021 Demers ..... D9/504  
 D932,306 S \* 10/2021 Hwang ..... D9/529  
 2015/0122769 A1 5/2015 Taber  
 2016/0130063 A1 5/2016 Demery

\* cited by examiner

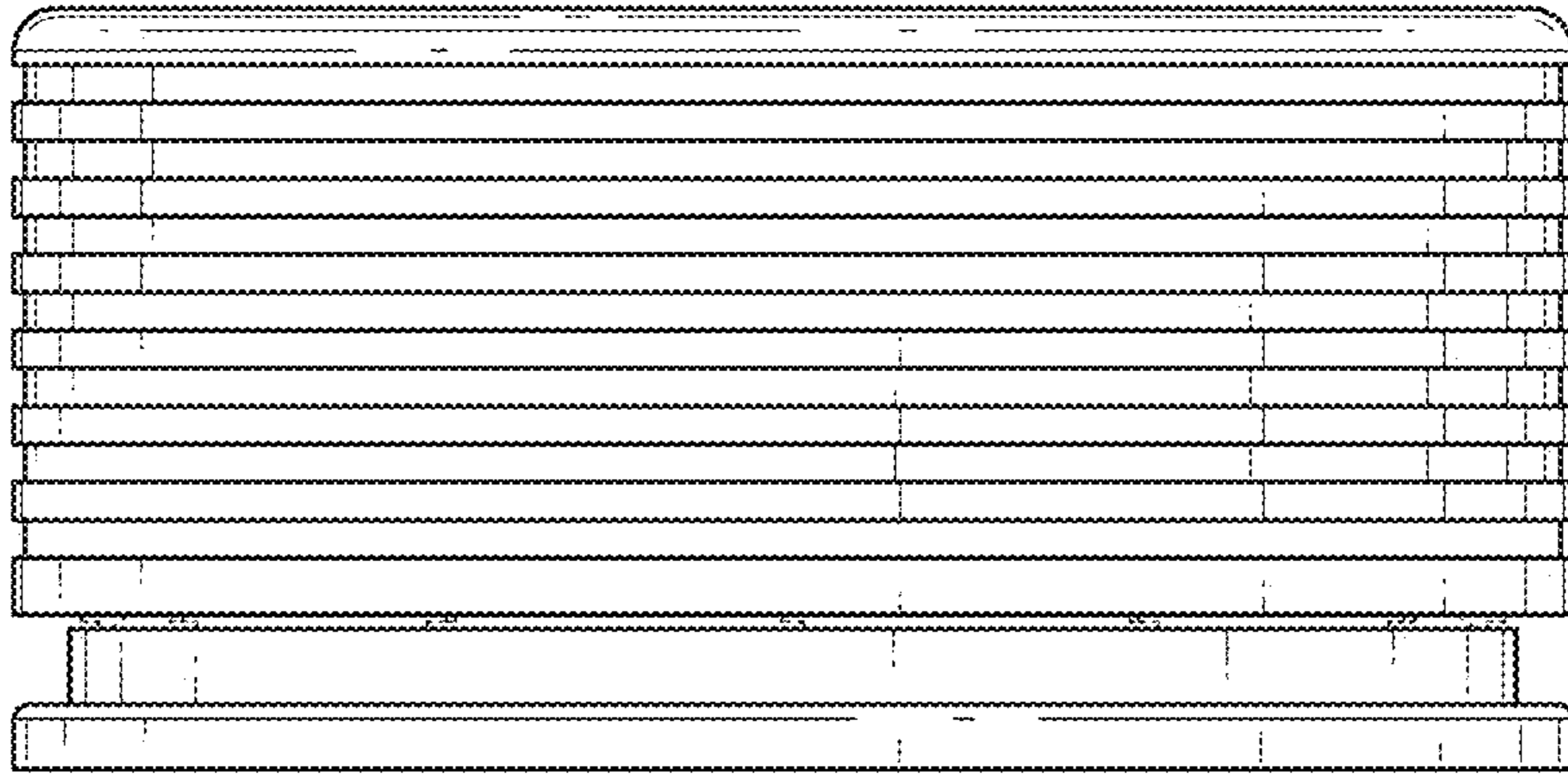




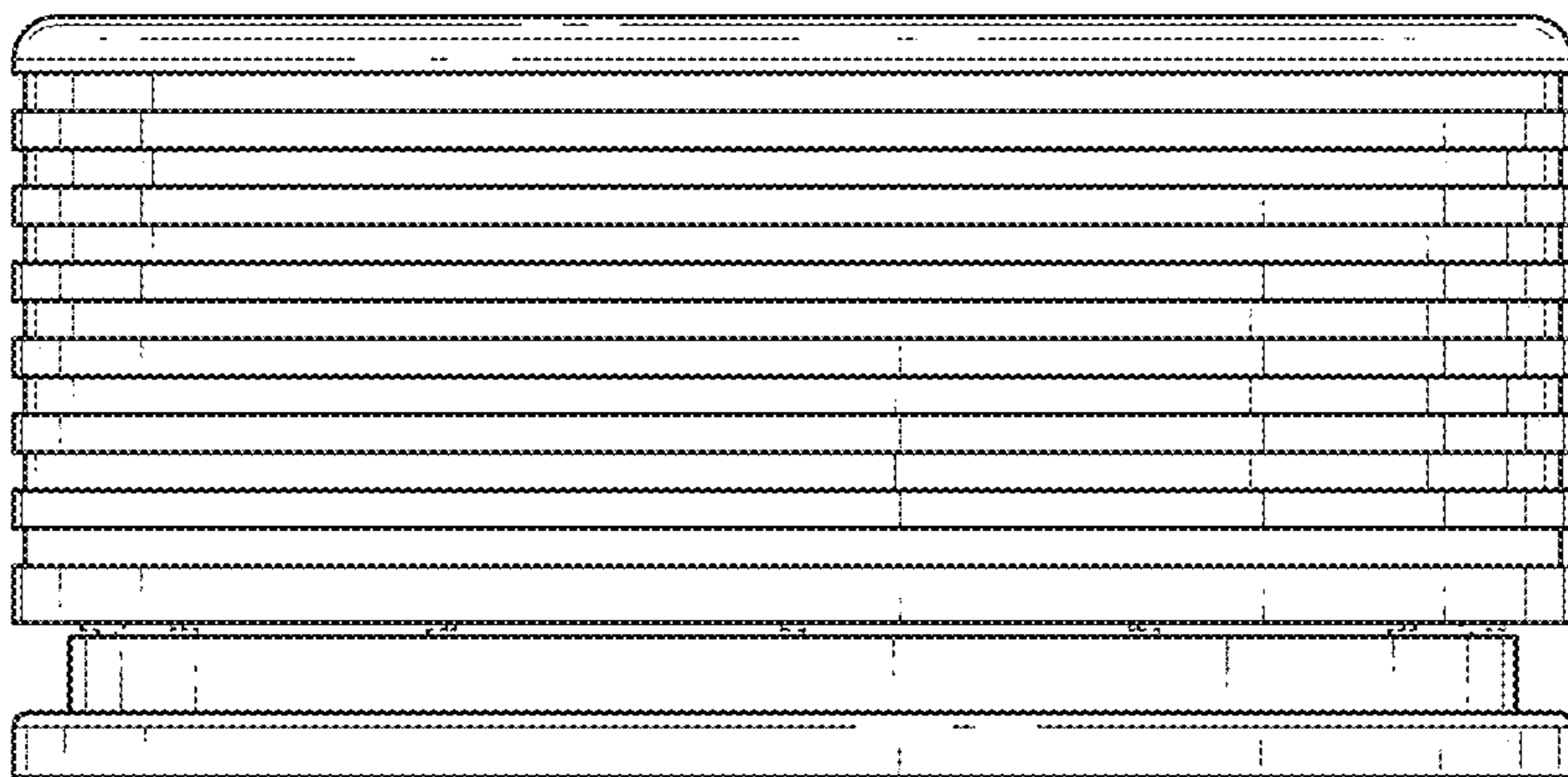
*FIG. 1*



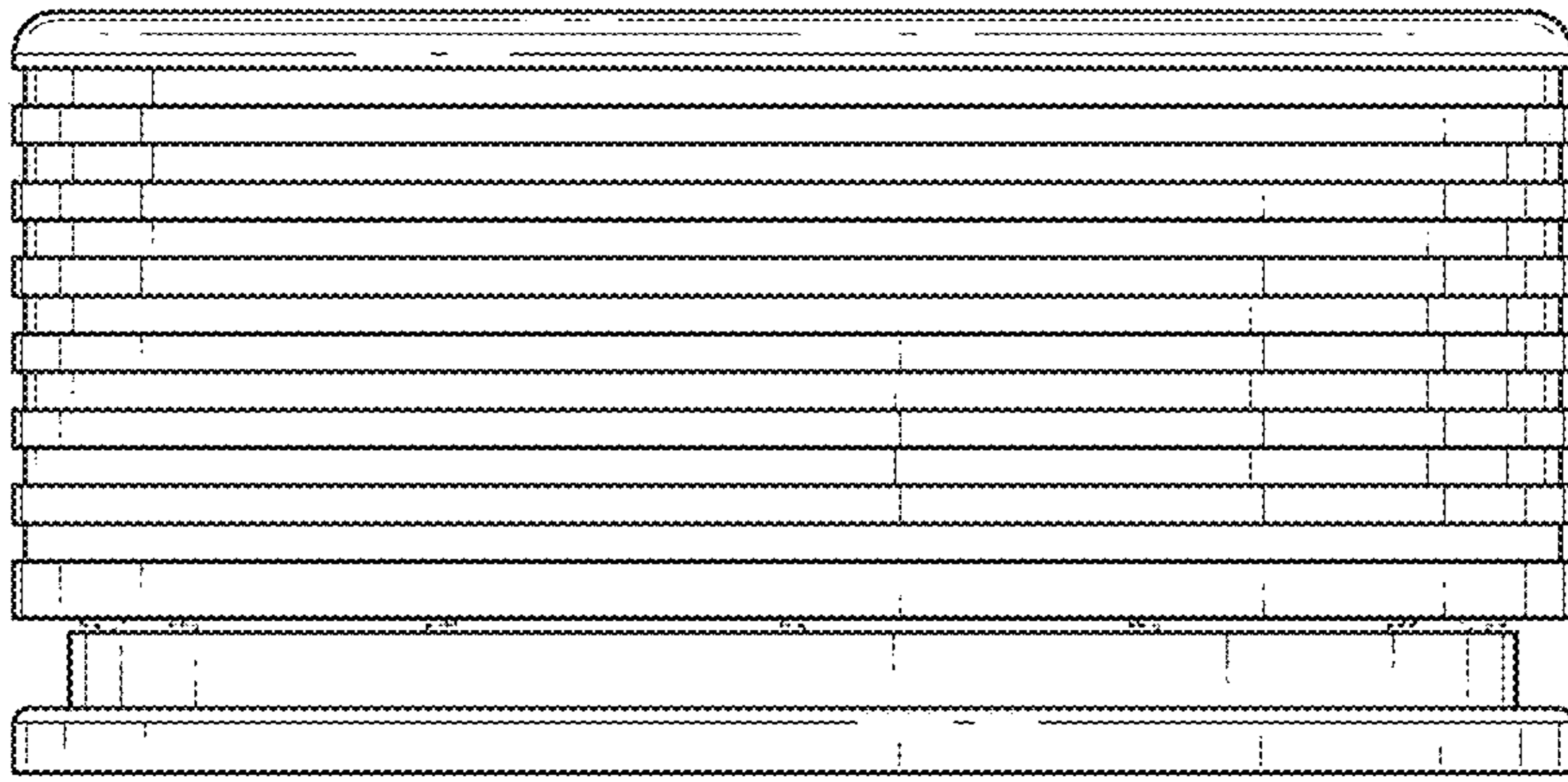
*FIG. 2*



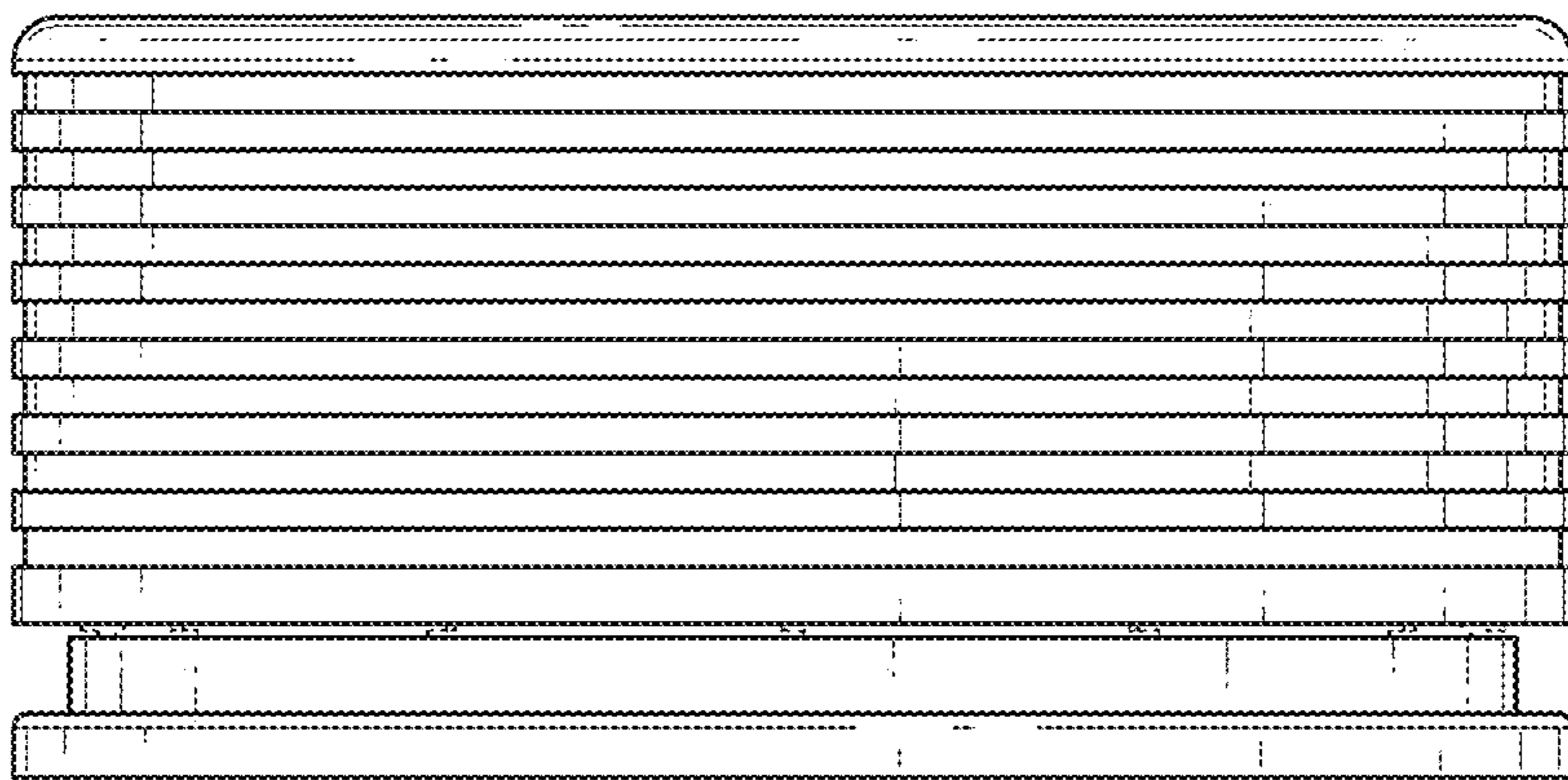
*FIG. 3*



*FIG. 4*

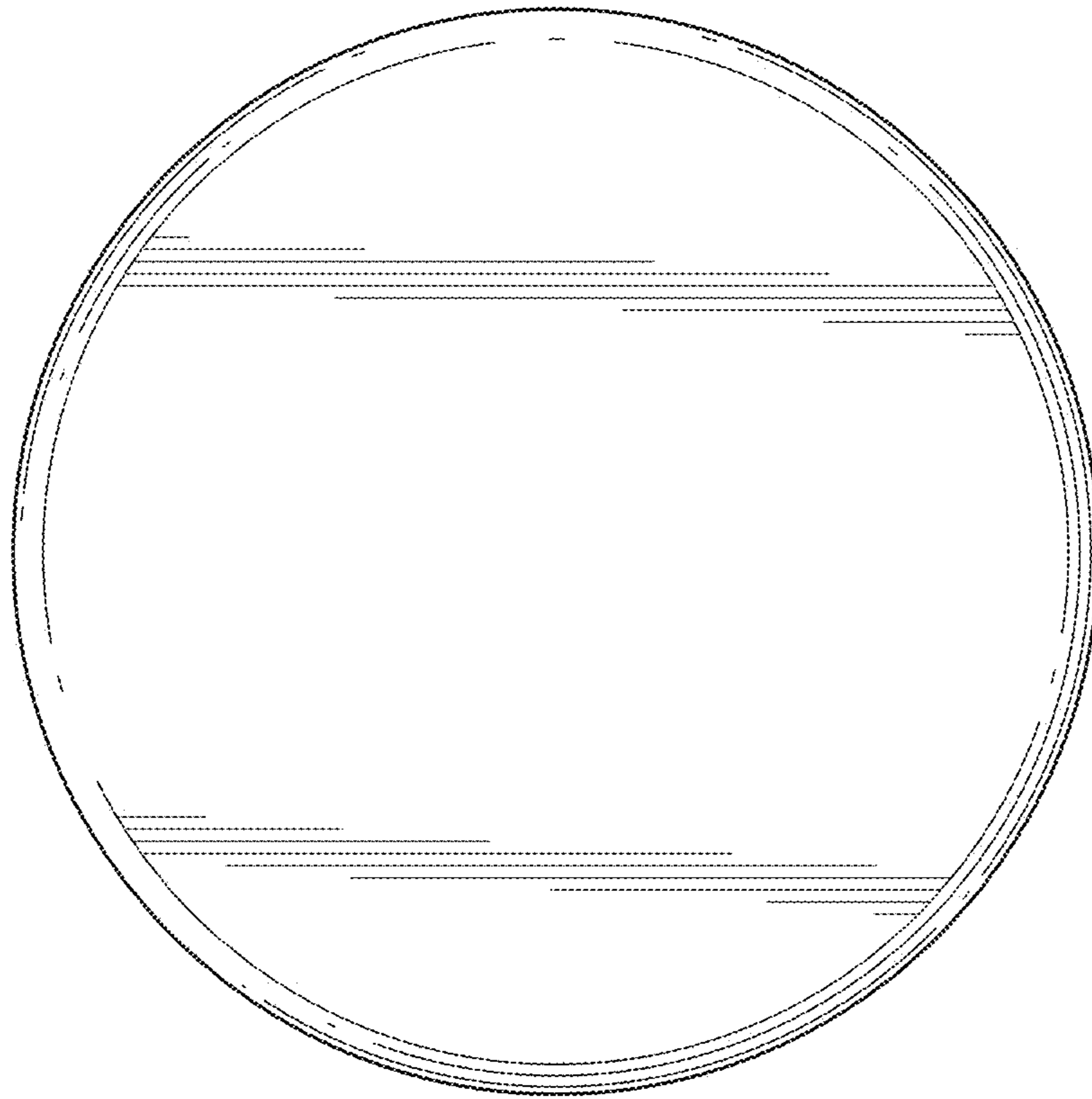


*FIG. 5*

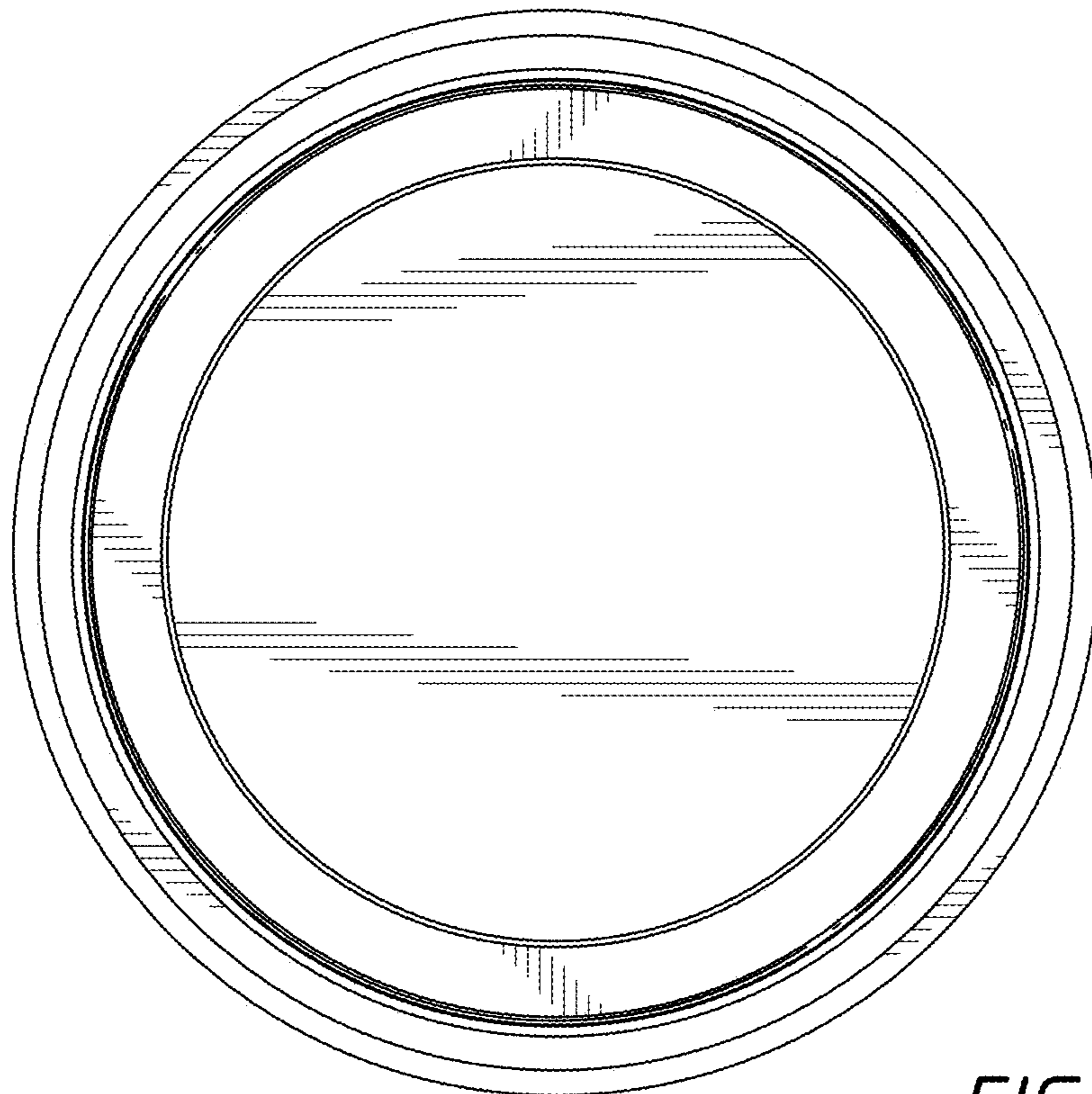


*FIG. 6*

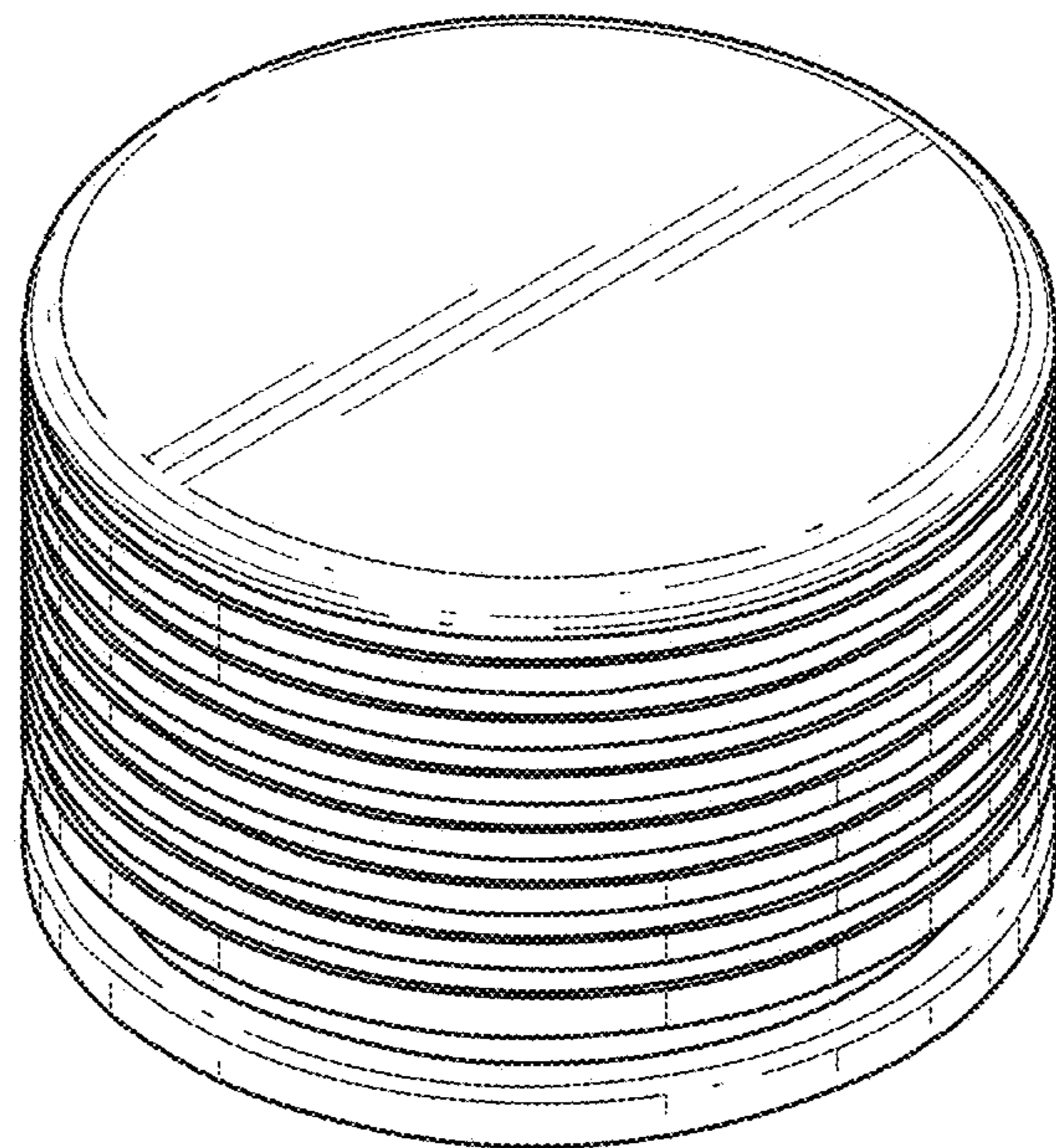




*FIG. 7*

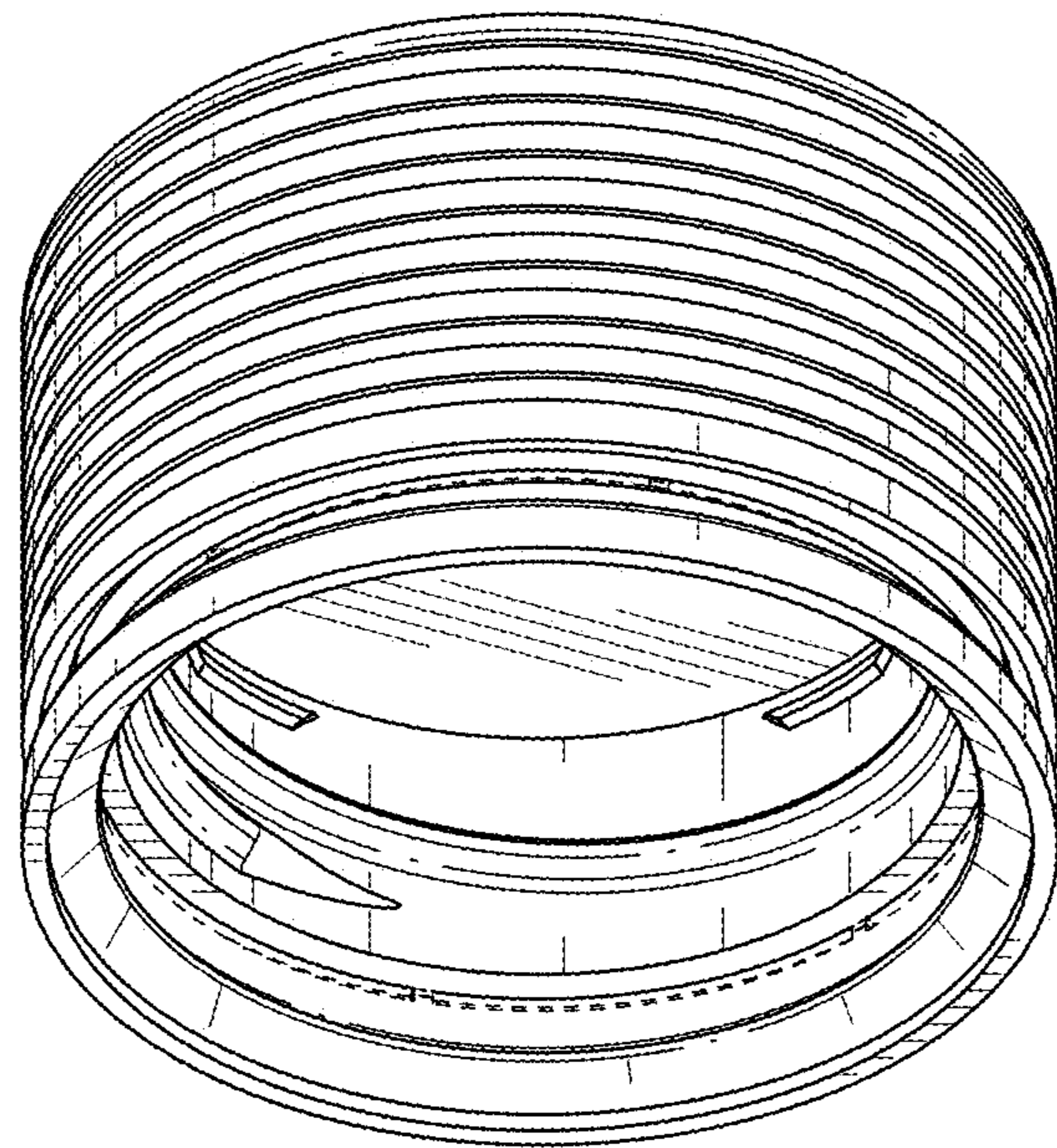


*FIG. 8*

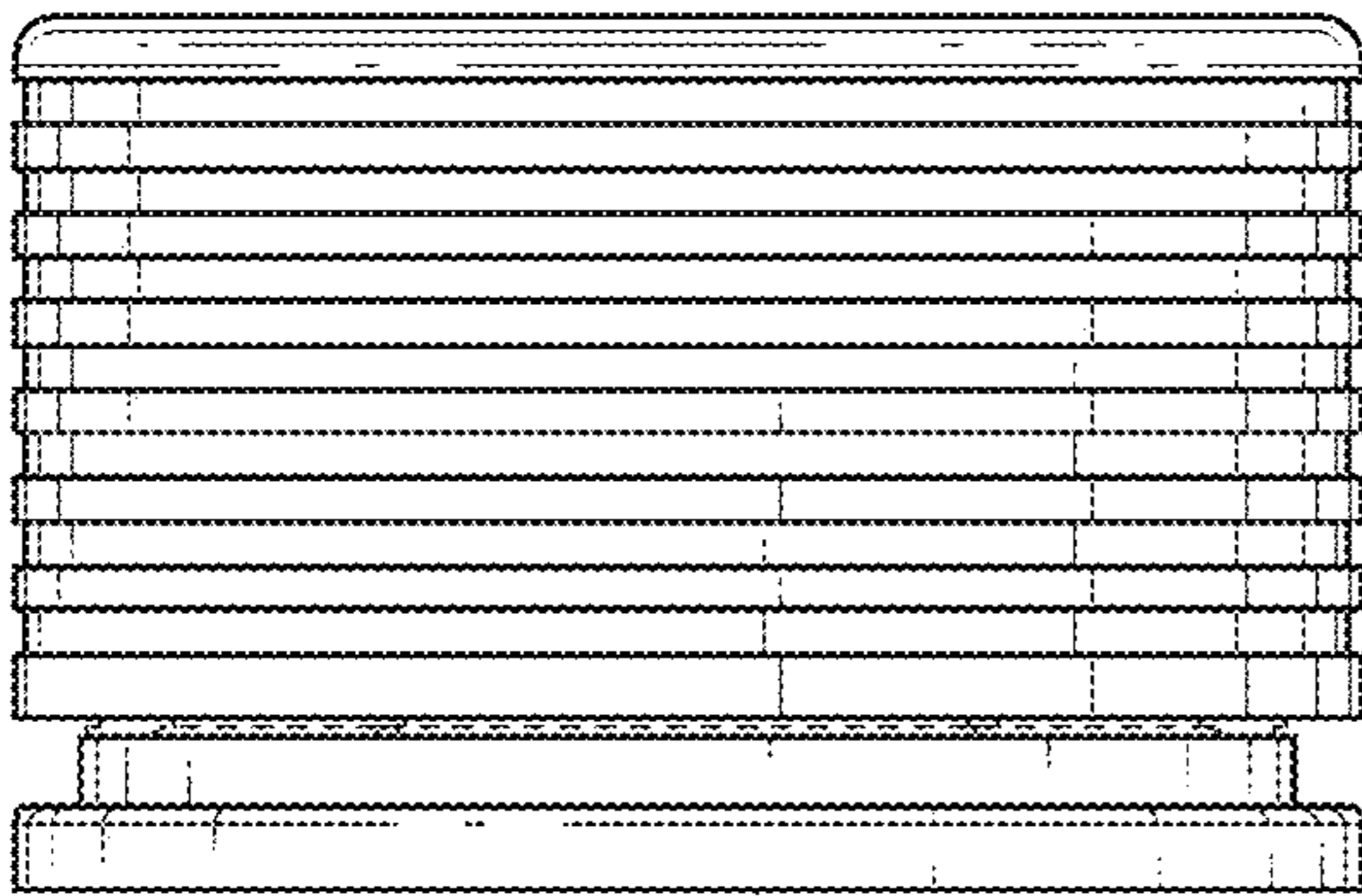


*FIG. 9*

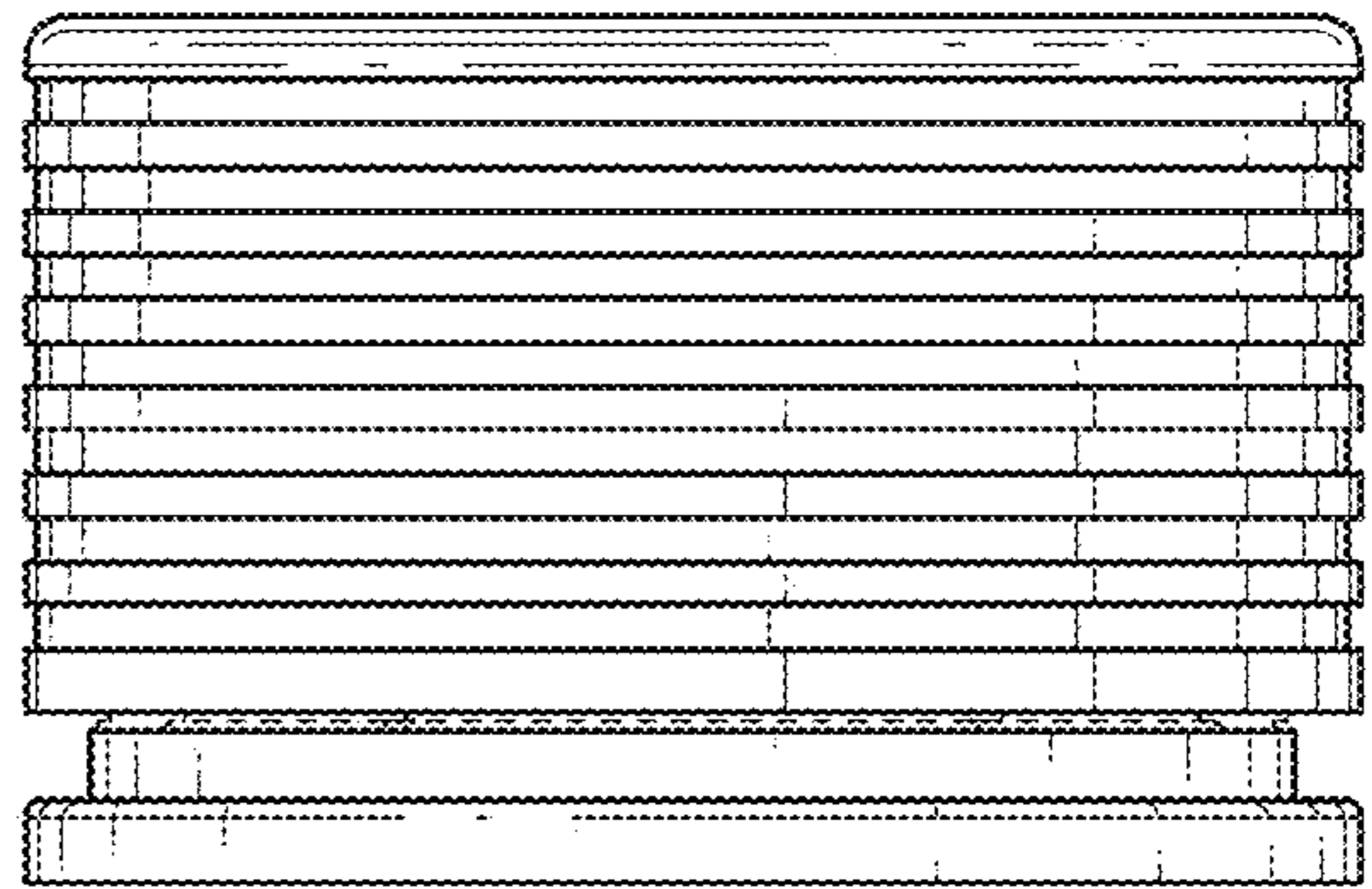




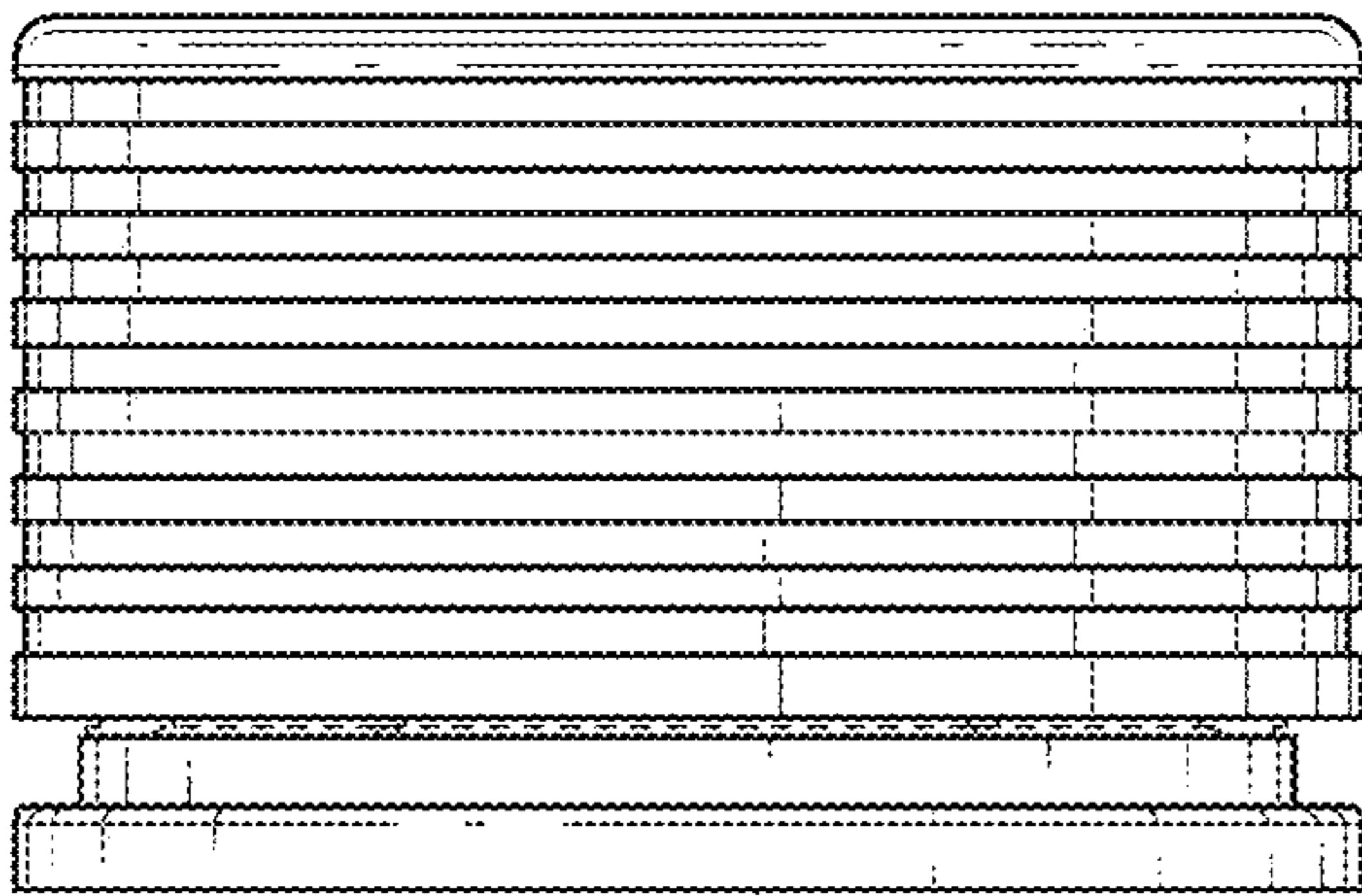
*FIG. 10*



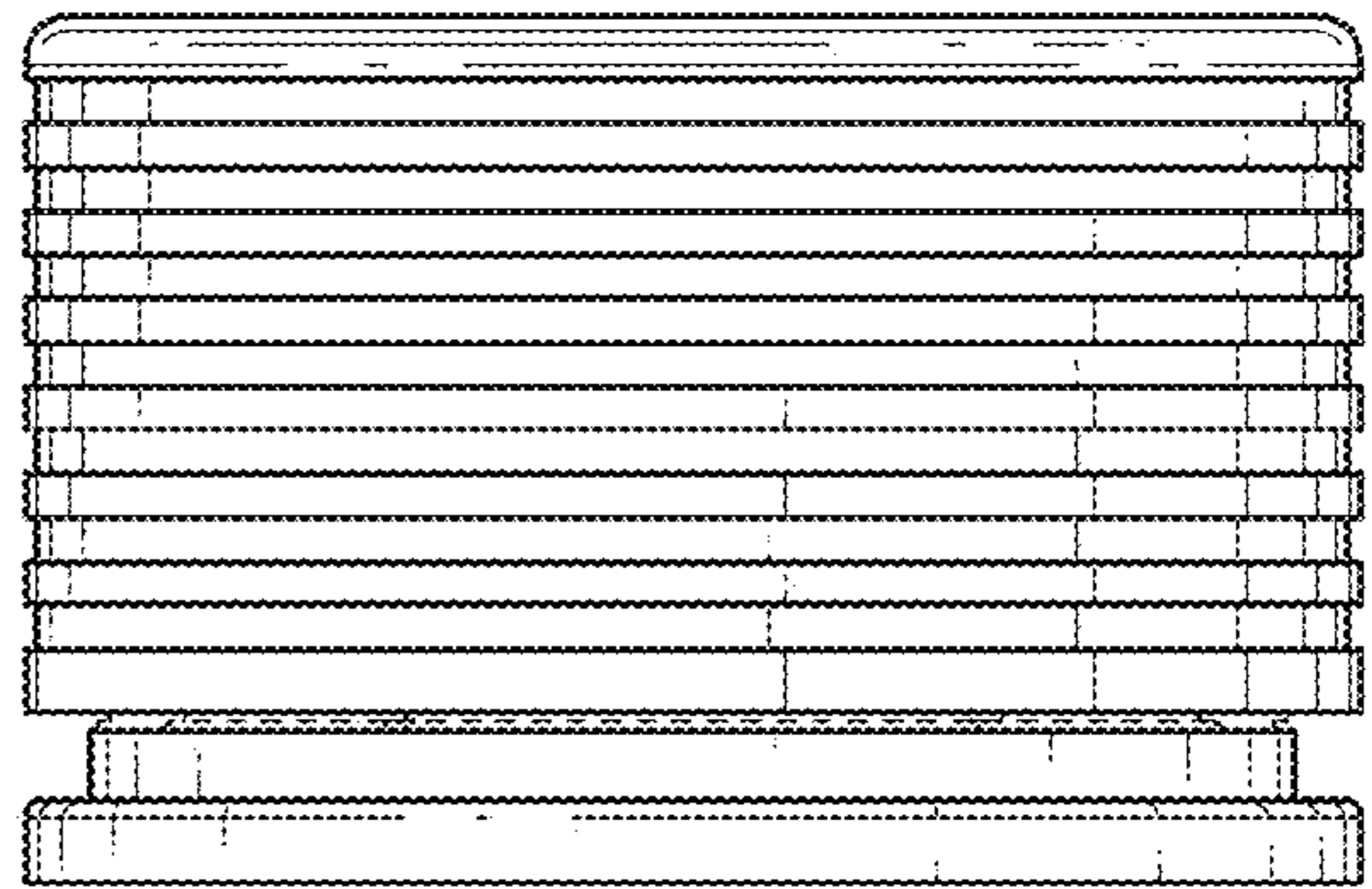
*FIG. 11*



*FIG. 12*

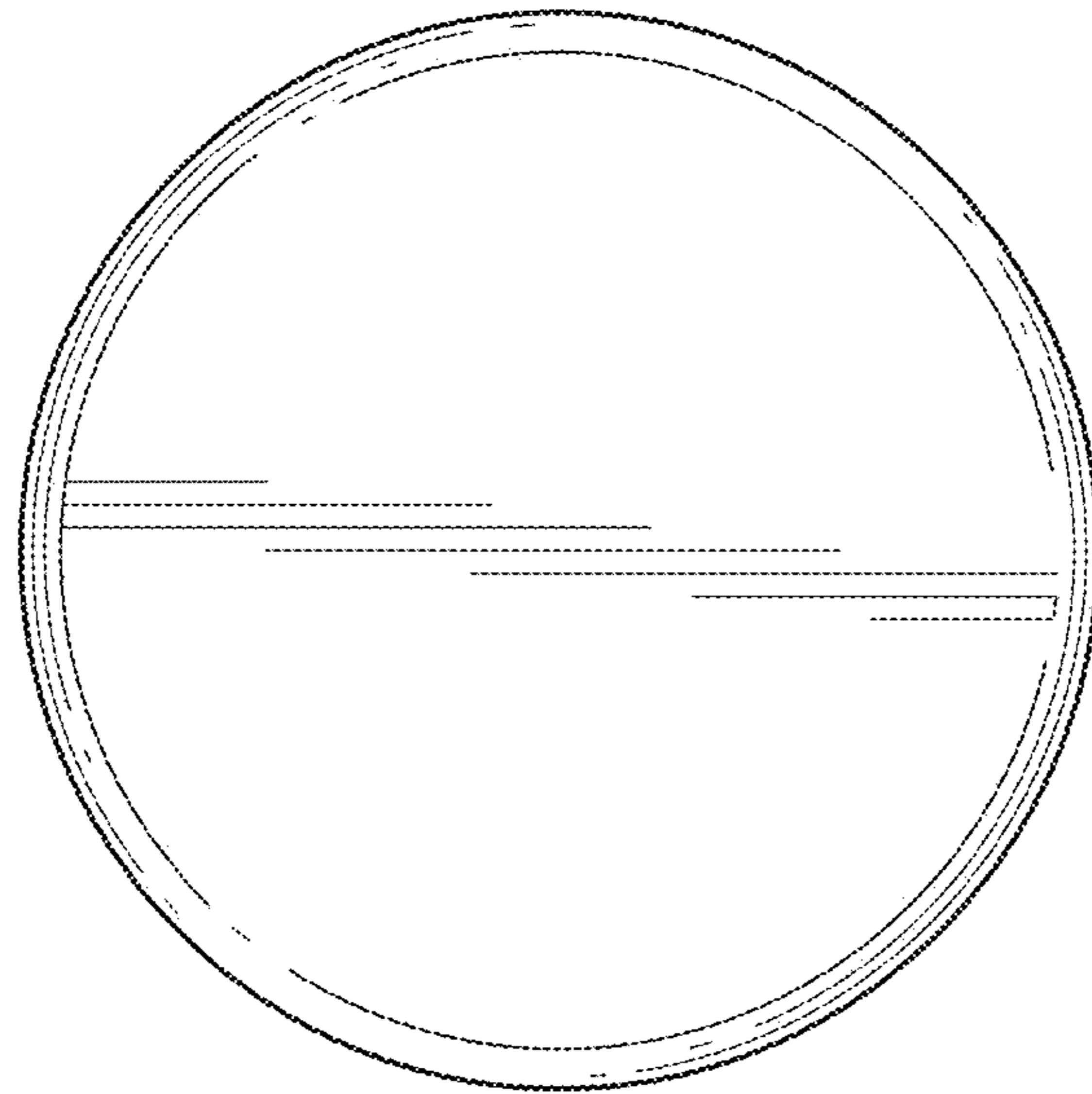


*FIG. 13*

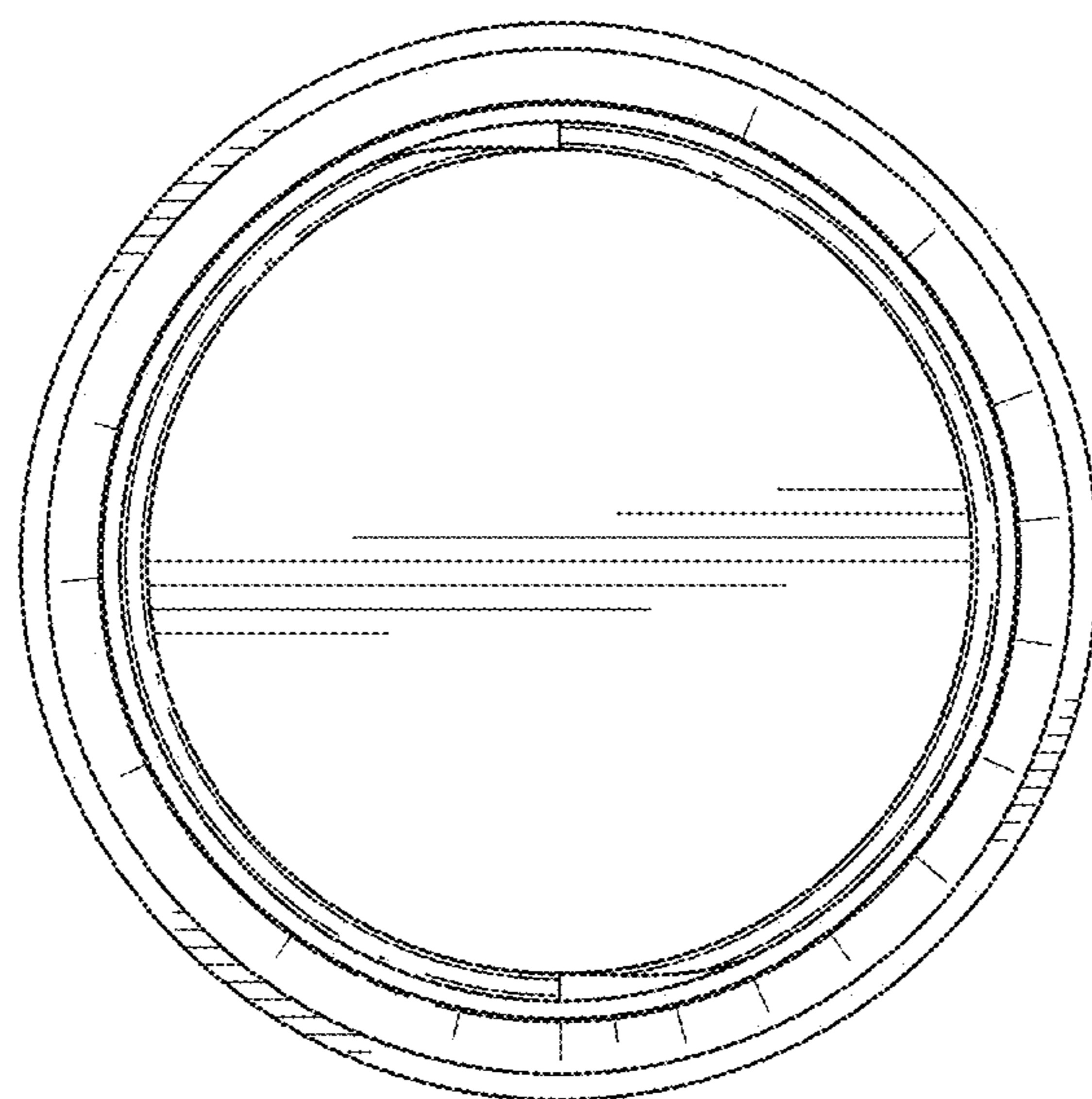


*FIG. 14*





*FIG. 15*



*FIG. 16*