



US00D951091S

(12) **United States Design Patent**  
**Bontrager**

(10) **Patent No.:** **US D951,091 S**  
(45) **Date of Patent:** **\*\* May 10, 2022**

(54) **LID FOR A FOOD CONTAINER**

(71) Applicant: **Zume, Inc.**, Mountain View, CA (US)

(72) Inventor: **Rick Bontrager**, Mountain View, CA (US)

(73) Assignee: **Zume, Inc.**, Camarillo, CA (US)

(\*\*) Term: **15 Years**

(21) Appl. No.: **29/718,156**

(22) Filed: **Dec. 20, 2019**

(51) **LOC (13) Cl.** ..... **09-07**

(52) **U.S. Cl.**  
USPC ..... **D9/454**

(58) **Field of Classification Search**

USPC ..... D7/509, 510, 511, 624.1, 387, 391, 392, D7/392.1, 393, 396.1, 396.2, 400; D9/434, 435, 439, 445, 447, 454, 451, D9/438, 440, 443, 452, 453; D23/259, D23/260, 261, 209, 210; D24/162, 127; D12/202, 604-607; D28/76, 85, 91.1  
CPC ... B65D 1/00; B65D 1/02; B65D 1/10; B65D 1/46; B65D 2585/56; B65D 2585/545; B65D 41/00; B65D 41/38; B65D 41/56; B65D 41/62; B65D 47/00; B65D 47/06; B65D 47/08; B65D 23/00; B65D 51/1694; B65D 43/0212; B65D 43/0208; B65D 2543/00046; B65D 2543/00092; B65D 1/24; B65D 25/04; B65D 43/09; B65D 43/16; A61J 1/00; A61J 1/1412; A61J 1/02

See application file for complete search history.

(56) **References Cited**

**U.S. PATENT DOCUMENTS**

D26,062 S 9/1896 Hunter  
D30,094 S \* 1/1899 Busch ..... D9/434  
2,770,957 A 11/1956 Bronson

(Continued)

**FOREIGN PATENT DOCUMENTS**

CA 131468 \* 4/2010  
IN 257714-0001 \* 10/2014

(Continued)

**OTHER PUBLICATIONS**

U.S. Appl. No. 29/699,813, Notice of Allowance dated Sep. 18, 2020, 11 pages.

(Continued)

*Primary Examiner* — Catherine S Posthauer

(74) *Attorney, Agent, or Firm* — Merchant & Gould P.C.

(57) **CLAIM**

The ornamental design for a lid for a food container, as shown and described.

**DESCRIPTION**

FIG. 1 is a top perspective view of a lid for a food container showing the new design.

FIG. 2 is a bottom perspective view of the lid for a food container of FIG. 1.

FIG. 3 is a front view of the lid for a food container of FIG. 1.

FIG. 4 is a rear view of the lid for a food container of FIG. 1.

FIG. 5 is a right side view of the lid for a food container of FIG. 1.

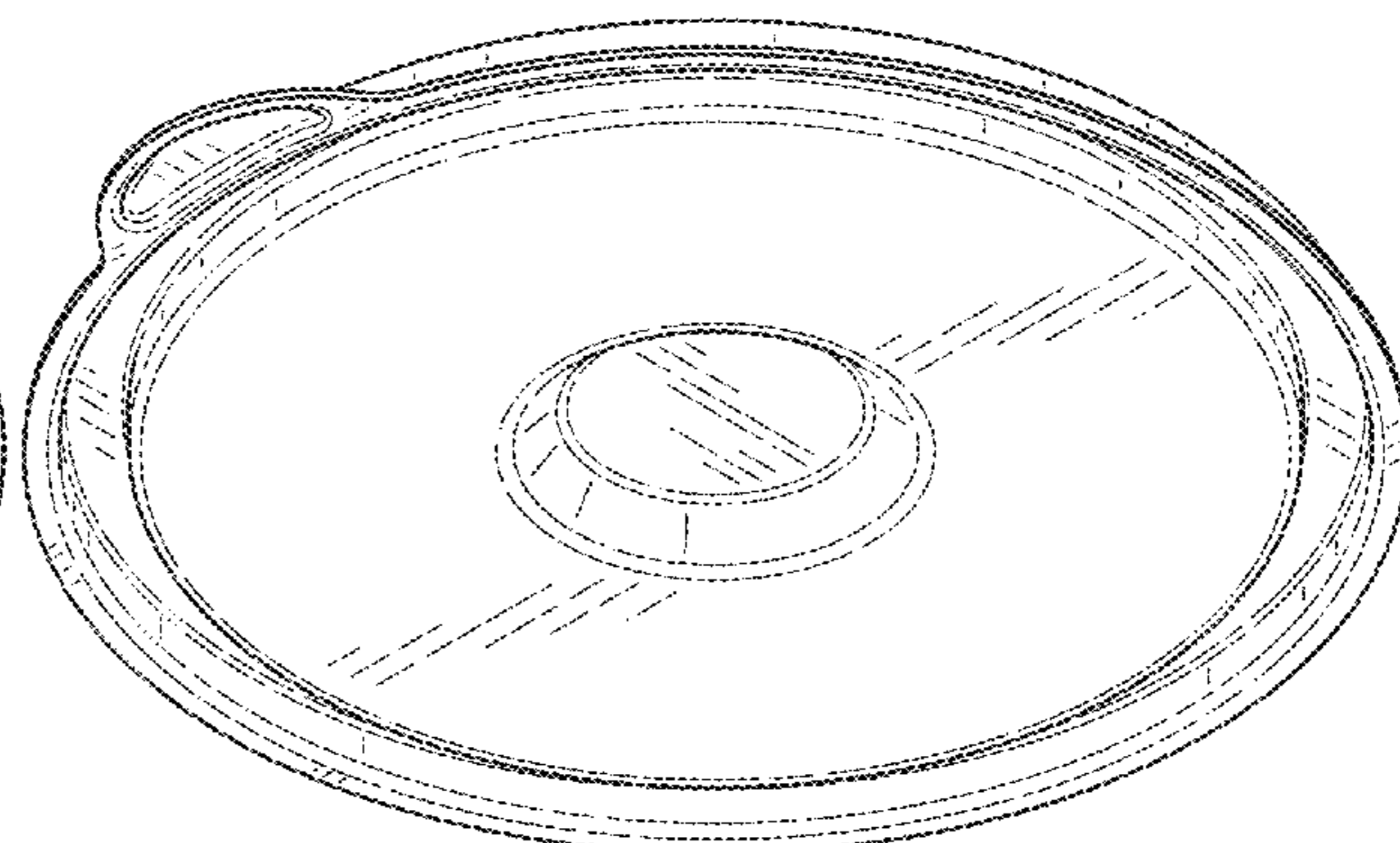
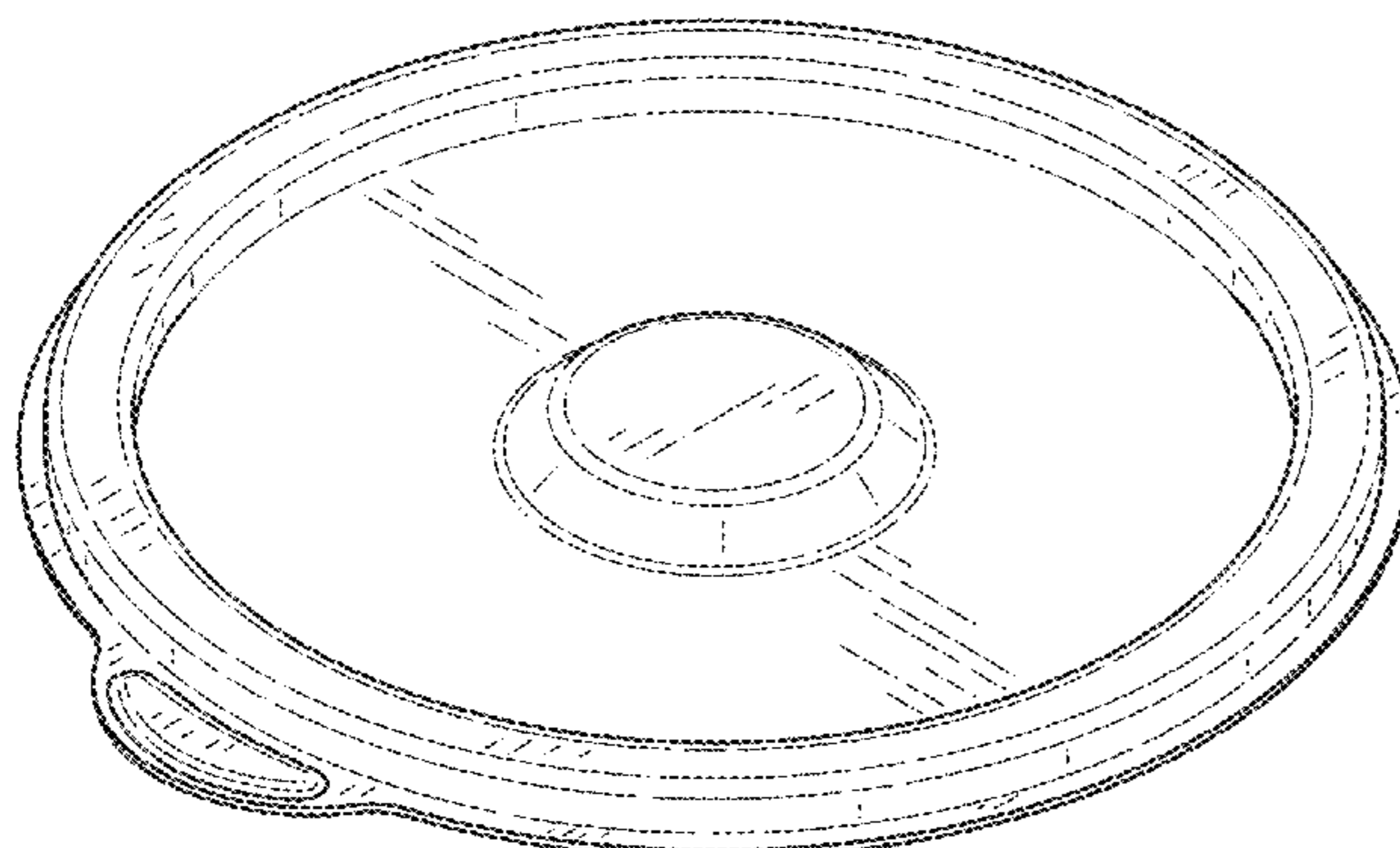
FIG. 6 is a left side view of the lid for a food container of FIG. 1.

FIG. 7 is a top view of the lid for a food container of FIG. 1; and,

FIG. 8 is a bottom view of the lid for a food container of FIG. 1.

The portions of the drawings depicted in dashed lines form no part of the claimed subject matter.

**1 Claim, 6 Drawing Sheets**



# US D951,091 S

(56)

## References Cited

### U.S. PATENT DOCUMENTS

2,816,589	A *	12/1957	Tupper .....	A47G 19/30 220/305	D478,469	S *	8/2003	Roth .....	F25D 3/08 D7/392.1
2,893,163	A	7/1959	Hazel, Jr.		D480,264	S *	10/2003	de Groote .....	D7/392.1
2,998,158	A *	8/1961	Tupper .....	B65D 43/0274 220/276	D482,232	S	11/2003	Zettle	
D194,794	S *	3/1963	Rahr .....	D7/391	D483,222	S	12/2003	Willis	
3,283,939	A *	11/1966	Miller .....	B65D 51/1644 220/203.16	D484,412	S	12/2003	Willis	
D207,356	S	4/1967	McCormick		D485,126	S	1/2004	Watson	
3,401,825	A	9/1968	Weiss		D489,578	S *	5/2004	Lai .....	D7/624.1
D213,390	S *	2/1969	Bruce .....	D7/392.1	6,739,500	B1 *	5/2004	Gentile .....	B65D 15/06 206/524.8
3,946,897	A	3/1976	Wolff		D495,600	S	9/2004	Kouri	
D243,231	S	2/1977	Smith		D497,548	S	10/2004	Nordland	
4,027,776	A *	6/1977	Douglas .....	B65D 43/021 220/281	D499,936	S	12/2004	Wiedmeyer	
4,076,123	A	2/1978	Davis		D502,050	S *	2/2005	Munson .....	D7/392.1
D249,935	S *	10/1978	Williams .....	D9/454	D502,052	S	2/2005	Meade	
D257,933	S	1/1981	Conti		D504,053	S	4/2005	Bertulis	
D260,492	S *	9/1981	Scott .....	D7/392.1	D506,359	S	6/2005	Zettle	
4,346,816	A *	8/1982	Caille .....	B65D 43/0212 220/782	D507,937	S	8/2005	Dais	
D266,818	S	11/1982	Trombly		D508,187	S	8/2005	Dais	
4,407,426	A *	10/1983	McLaren .....	A23G 9/503 206/508	D508,188	S	8/2005	Zettle	
D275,636	S	9/1984	Picozza		D512,872	S *	12/2005	McMahon, III .....	D7/392
4,471,880	A	9/1984	Taylor		D513,940	S	1/2006	Kolflat	
D280,484	S *	9/1985	Conti .....	D7/391	D524,604	S	7/2006	Wendl	
D281,758	S *	12/1985	Trombly .....	D7/391	D528,359	S *	9/2006	Laib .....	D7/392.1
4,562,937	A *	1/1986	Iyengar .....	B65D 43/021 220/791	D547,179	S	7/2007	Bouveret	
D282,616	S *	2/1986	Gallagher .....	D7/392.1	D549,040	S	8/2007	Henry	
D286,026	S *	10/1986	Rayner .....	D9/435	D549,050	S	8/2007	Spencer	
4,705,172	A	11/1987	Gage		D563,785	S *	3/2008	Maki .....	D9/454
D297,297	S	8/1988	Lacey		D565,253	S	3/2008	Modi	
4,782,976	A	11/1988	Kenyon		D565,356	S	4/2008	Mellen	
4,930,656	A	6/1990	Blachette		D575,114	S	8/2008	Moghavem	
D311,140	S *	10/1990	Nelson .....	D9/454	D579,276	S	10/2008	Burd	
D322,760	S	12/1991	Blanchette		D582,218	S	12/2008	Curtin	
D322,940	S *	1/1992	Rivera .....	D9/435	D591,590	S	5/2009	Wilson	
D323,383	S	1/1992	Keays		D598,238	S	8/2009	Durdon	
D327,808	S *	7/1992	Kline .....	D7/391	D606,368	S	12/2009	Wu	
D339,958	S *	10/1993	Olsen .....	D7/392.1	D607,329	S	1/2010	Diss	
D343,338	S	1/1994	Bucher		D611,769	S	3/2010	Hauser	
D344,209	S *	2/1994	Cousins .....	D7/391	D612,196	S *	3/2010	Furlong .....	D7/392.1
D350,688	S	9/1994	Wardell, Jr.		D614,439	S *	4/2010	Olivari .....	D7/392.1
D351,220	S *	10/1994	Barnes .....	D23/260	D614,453	S	4/2010	Curtin	
D359,451	S *	6/1995	Dees .....	D9/443	D628,477	S	12/2010	Shaver	
D362,389	S	9/1995	Frye		D628,894	S *	12/2010	Pontes .....	D9/454
D373,704	S	9/1996	Doxey		D629,264	S	12/2010	Curtin	
D373,932	S	9/1996	Onneweer		D632,527	S	2/2011	Olivari	
D376,952	S *	12/1996	Rausch .....	D7/391	D632,528	S	2/2011	Olivari	
D381,267	S *	7/1997	Rush .....	D9/452	D632,959	S *	2/2011	Peters .....	D9/454
D381,268	S	7/1997	Rush		D636,229	S	4/2011	Koennecke	
D381,864	S *	8/1997	Feer .....	D7/391	D636,230	S	4/2011	Koennecke	
D383,939	S *	9/1997	Jeppesen .....	D7/391	D636,674	S *	4/2011	Golota .....	D9/452
5,709,314	A	1/1998	Petry		D641,209	S *	7/2011	Ablo .....	D7/392.1
D415,385	S *	10/1999	Loew .....	D7/392.1	D642,057	S *	7/2011	Reed .....	D9/453
D415,652	S *	10/1999	Loew .....	D7/392.1	D642,921	S	8/2011	Endert	
D417,584	S *	12/1999	Lillelund .....	D7/392.1	D643,720	S	8/2011	Maeda	
D417,817	S *	12/1999	Loew .....	D7/392.1	D651,865	S	1/2012	Smyers	
D419,371	S *	1/2000	Haley .....	D7/392.1	D656,818	S	4/2012	Dunwoody	
D428,771	S	8/2000	Novi		D658,451	S *	5/2012	Jost .....	D7/624.1
6,168,044	B1 *	1/2001	Zettle .....	B65D 43/0208 220/784	D659,464	S *	5/2012	Albers .....	B65D 43/022 D7/391
D445,687	S	7/2001	Gilbertson		D660,136	S *	5/2012	Jarowenko .....	D8/374
D450,537	S	11/2001	Hayes		D660,148	S *	5/2012	Killandi .....	D9/438
D457,037	S	5/2002	Hayes		D665,663	S	8/2012	Krupa	
6,431,389	B1	8/2002	Jerstroem		D666,306	S *	8/2012	Belue .....	D25/36
D466,762	S	12/2002	Cote		D676,276	S *	2/2013	Muspratt-Williams .....	D7/392.1
6,561,375	B1 *	5/2003	Nagy .....	A47G 19/02 206/460	D676,284	S	2/2013	Pallotto	
D475,573	S *	6/2003	Jalet .....	D7/392.1	D676,745	S *	2/2013	MacNeill .....	D9/443
D475,897	S	6/2003	Zettle		D676,746	S *	2/2013	Shaffer .....	D9/443
D476,861	S	7/2003	Zettle		D677,159	S *	3/2013	Sina .....	D9/451
					D677,162	S	3/2013	Sharma	
					D679,547	S	4/2013	Chen	
					D689,701	S *	9/2013	Mischel, Jr. ....	D6/309
					D689,730	S	9/2013	Goto	
					D689,735	S *	9/2013	Redfern .....	D7/392.1
					D700,800	S *	3/2014	Ludeman .....	D7/391
					D705,051	S	5/2014	Cassens	
					D708,470	S *	7/2014	Heiberg .....	D7/391
					D710,696	S	8/2014	Kwon	
					D717,104	S	11/2014	Redfern	

(56)

References Cited

U.S. PATENT DOCUMENTS

D719,410 S 12/2014 Lee  
 D722,814 S \* 2/2015 Heiberg ..... D7/391  
 D728,865 S 5/2015 Tsengas  
 D730,731 S 6/2015 Bewley, Jr.  
 D731,239 S 6/2015 Rothfield  
 D731,241 S \* 6/2015 Yessin ..... D7/392.1  
 D745,228 S 12/2015 Scaba  
 D746,626 S \* 1/2016 Lagsdin ..... D7/354  
 D746,640 S 1/2016 Myoung  
 D752,383 S 3/2016 Zox  
 D756,769 S 5/2016 Tuchrelo  
 D761,061 S 7/2016 McConnell  
 D762,475 S \* 8/2016 Turner ..... D9/454  
 9,474,397 B2 10/2016 Minnette  
 D770,233 S 11/2016 Raphael  
 D772,002 S 11/2016 Affatato  
 D774,900 S 12/2016 Longoni  
 D778,204 S 2/2017 Thuma  
 D787,274 S 5/2017 Gagnon  
 D795,058 S 8/2017 Buck  
 D795,069 S 8/2017 Haddad  
 D795,070 S \* 8/2017 Haddad ..... D9/454  
 D796,898 S 9/2017 Robotti  
 D776,296 S 10/2017 Wainwright  
 D799,963 S 10/2017 Akiyama  
 D803,677 S 11/2017 Yang  
 D811,214 S 2/2018 Wu  
 D811,215 S 2/2018 Wu  
 D811,811 S \* 3/2018 Wachter ..... D7/392.1  
 D813,665 S 3/2018 White  
 D814,294 S 4/2018 White  
 D815,915 S 4/2018 Raphael  
 D816,500 S \* 5/2018 Torrison ..... D9/454  
 D821,194 S 6/2018 Van Wingerden  
 D823,643 S 7/2018 Paul  
 D835,455 S 12/2018 Sedgwick  
 D835,459 S 12/2018 Sedgwick  
 D838,585 S 1/2019 Kui  
 D840,760 S 2/2019 Carrette  
 D845,758 S 4/2019 Van Wingerden  
 D845,763 S 4/2019 Savenok  
 D845,765 S 4/2019 Stammen  
 D848,207 S 5/2019 Holding  
 D848,784 S 5/2019 Hazelton  
 D849,469 S \* 5/2019 Hazelton ..... D7/391  
 D850,848 S \* 6/2019 Wachter ..... D7/392.1  
 D854,926 S 7/2019 Tung  
 D856,068 S \* 8/2019 Barber ..... D7/392.1  
 D857,492 S 8/2019 Dominion  
 D859,978 S 9/2019 Barrett  
 D861,480 S 10/2019 Barrett  
 D861,481 S 10/2019 Barrett  
 D861,486 S 10/2019 Stammen  
 D866,266 S 11/2019 Arseneau  
 D868,543 S 12/2019 Carrette  
 D869,240 S 12/2019 Modi  
 D871,834 S 1/2020 Sarnoff  
 D871,906 S 1/2020 Ramsey  
 D877,558 S 3/2020 Dorfmueller  
 D880,224 S \* 4/2020 Wiggins ..... D7/392  
 D891,859 S \* 8/2020 Ramirez ..... D7/392.1  
 D897,834 S 10/2020 Lee  
 D899,252 S 10/2020 Wang  
 D908,002 S 1/2021 Bontrager  
 D915,828 S 4/2021 Schiermeier  
 D918,712 S 5/2021 Bontrager  
 D919,428 S 5/2021 Shah  
 D920,097 S 5/2021 Rapparini  
 D922,194 S 6/2021 Kazemahvazi  
 2002/0112614 A1 8/2002 Zoss  
 2002/0175171 A1 11/2002 Stewart  
 2003/0155354 A1 8/2003 Tucker  
 2003/0160051 A1 \* 8/2003 Ciccone ..... B65D 43/0256  
 220/276  
 2004/0206765 A1 10/2004 McMahon, III

2004/0222226 A1 \* 11/2004 Gottainer ..... B65D 43/0212  
 220/284  
 2004/0245261 A1 \* 12/2004 Stanos ..... B65D 43/021  
 220/793  
 2005/0127074 A1 6/2005 Kasuma  
 2005/0230404 A1 10/2005 Dark  
 2008/0099476 A1 5/2008 Fung  
 2009/0039086 A1 2/2009 Auer  
 2009/0241417 A1 10/2009 Smith  
 2010/0147848 A1 6/2010 Rider, Jr.  
 2012/0017837 A1 1/2012 Crawford  
 2012/0138608 A1 \* 6/2012 Rusnak ..... B65D 43/0208  
 220/23.87  
 2012/0145728 A1 6/2012 Pounder  
 2012/0285965 A1 \* 11/2012 Ekkert ..... B65D 43/0231  
 220/304  
 2013/0068780 A1 \* 3/2013 Meers ..... B65D 43/0212  
 220/790  
 2013/0104505 A1 5/2013 Minnette  
 2014/0326735 A1 11/2014 Minnette  
 2014/0374428 A1 12/2014 Watson  
 2015/0060459 A1 \* 3/2015 Wu ..... B65D 45/20  
 220/361  
 2015/0307240 A1 \* 10/2015 Hung ..... B65D 43/0208  
 220/200  
 2016/0009464 A1 1/2016 Lewellen  
 2016/0152384 A1 6/2016 Kopolas  
 2018/0362223 A1 12/2018 Kosmeh  
 2019/0090672 A1 3/2019 Bishop  
 2019/0193903 A1 6/2019 Tamshe  
 2019/0256252 A1 8/2019 Mundy  
 2019/0300263 A1 10/2019 Chiang

FOREIGN PATENT DOCUMENTS

IN 257719-0001 \* 1/2015  
 JP D1405825 \* 1/2011  
 JP D1503070 S 6/2014  
 JP D1657787 S 3/2020  
 JP D167467 \* 11/2020  
 KR 300855906.0000 \* 5/2016  
 KR 300885506.0000 \* 12/2016  
 KR 300900062.0000 \* 3/2017  
 KR 300936340.0000 \* 12/2017  
 KR 300964777.0000 \* 7/2018  
 SK 30-0885506 12/2016  
 TW 207485 6/1993  
 TW 531175 5/2003  
 TW D138732 1/2011  
 TW D145336 2/2012  
 TW D166244 3/2015

OTHER PUBLICATIONS

U.S. Appl. No. 29/699,812, Notice of Allowance dated Sep. 10, 2020, 12 pages.  
 Zume Food Containers: Site Visited [Aug. 27, 2020], “Select Products—Zume Store”, Available from Internet URL: <https://zume.com/collections/food-products/products/select-products>, 5 pages.  
 Pizza Hut Box: Announced Oct. 2, 2019 [online]. Site Visited [Aug. 27, 2020], “Pizza Hut is testing a new round pizza box that looks like a spaceship and is meant to keep pizza fresher”, Available from Internet URL: <https://www.businessinsider.com/pizza-hut-new-round-pizza-box-keeps-pizza-fresher-compostable-2019-10>, 7 pages.  
 Food Container Lids: Site Visited [Aug. 27, 2020], “Direct Source Products.com”, Available from Internet URL: <https://directsourceproducts.com/products/12-to-32-oz-food-container-lids-case-of-500>, 7 pages.  
 Mono Magazine, No. 21, vol. 24 (Dec. 2, 2005), p. 117, JPO Archive No. HA17017421, 3 pages total.  
 ASKUL Kabushiki Kaisha website (Nov. 19, 2012), JPO Archive No. J24049395, 3 pages total.  
 U.S. Appl. No. 29/707,458, Notice of Allowance dated Sep. 10, 2020, 9 pages.

(56)

**References Cited**

OTHER PUBLICATIONS

U.S. Appl. No. 29/707,458, Notice of Allowance dated Nov. 27, 2020, 4 pages.

U.S. Appl. No. 29/708,375, Notice of Allowance dated Nov. 25, 2020, 10 pages.

U.S. Appl. No. 29/707,455, Notice of Allowance dated Dec. 31, 2020, 8 pages.

U.S. Appl. No. 29/707,458, Notice of Allowance dated Dec. 15, 2020, 4 pages.

U.S. Appl. No. 29/708,371, Office Action dated Dec. 3, 2020, 10 pages.

Compostable Sugarcane Bowl: Announced May 31, 2019 (online), site visited Jul. 30, 2020, Available on the internet at: [https://www.amazon.com/SpecialT-Sugarcane-Bowls-Lids-Biodegradable/dp/B07HFD238T/ref=cm\\_cr\\_arp\\_d\\_product\\_top?ie=UTF8](https://www.amazon.com/SpecialT-Sugarcane-Bowls-Lids-Biodegradable/dp/B07HFD238T/ref=cm_cr_arp_d_product_top?ie=UTF8), 9 pages.

OTOR Food Container with Airtight Lids: Announced May 31, 2019 (online), site visited Jul. 30, 2020, Available on the internet at: <https://www.amazon.com/dp/B07VH4F86S?th=1>, 11 pages.

U.S. Appl. No. 29/708,374, Office Action dated Dec. 3, 2020, 10 pages.

U.S. Appl. No. 29/708,375, Notice of Allowance dated Dec. 15, 2020, 4 pages.

U.S. Appl. No. 29/718,159, Office Action dated Jan. 6, 2021, 13 pages.

U.S. Appl. No. 29/725,188, Ex-Parte Quayle Action mailed Feb. 19, 2021, 6 pages.

Taiwanese Search Report in Application 109301304, dated Dec. 9, 2020, 1 page.

U.S. Appl. No. 29/718,152, Notice of Allowance dated Jul. 1, 2021, 8 pages.

U.S. Appl. No. 29/718,155, Notice of Allowance dated Jul. 1, 2021, 8 pages.

U.S. Appl. No. 29/718,154, Notice of Allowance dated Jul. 1, 2021, 10 pages.

U.S. Appl. No. 29/718,155, Notice of Allowance dated Oct. 14, 2021, 10 pages.

\* cited by examiner

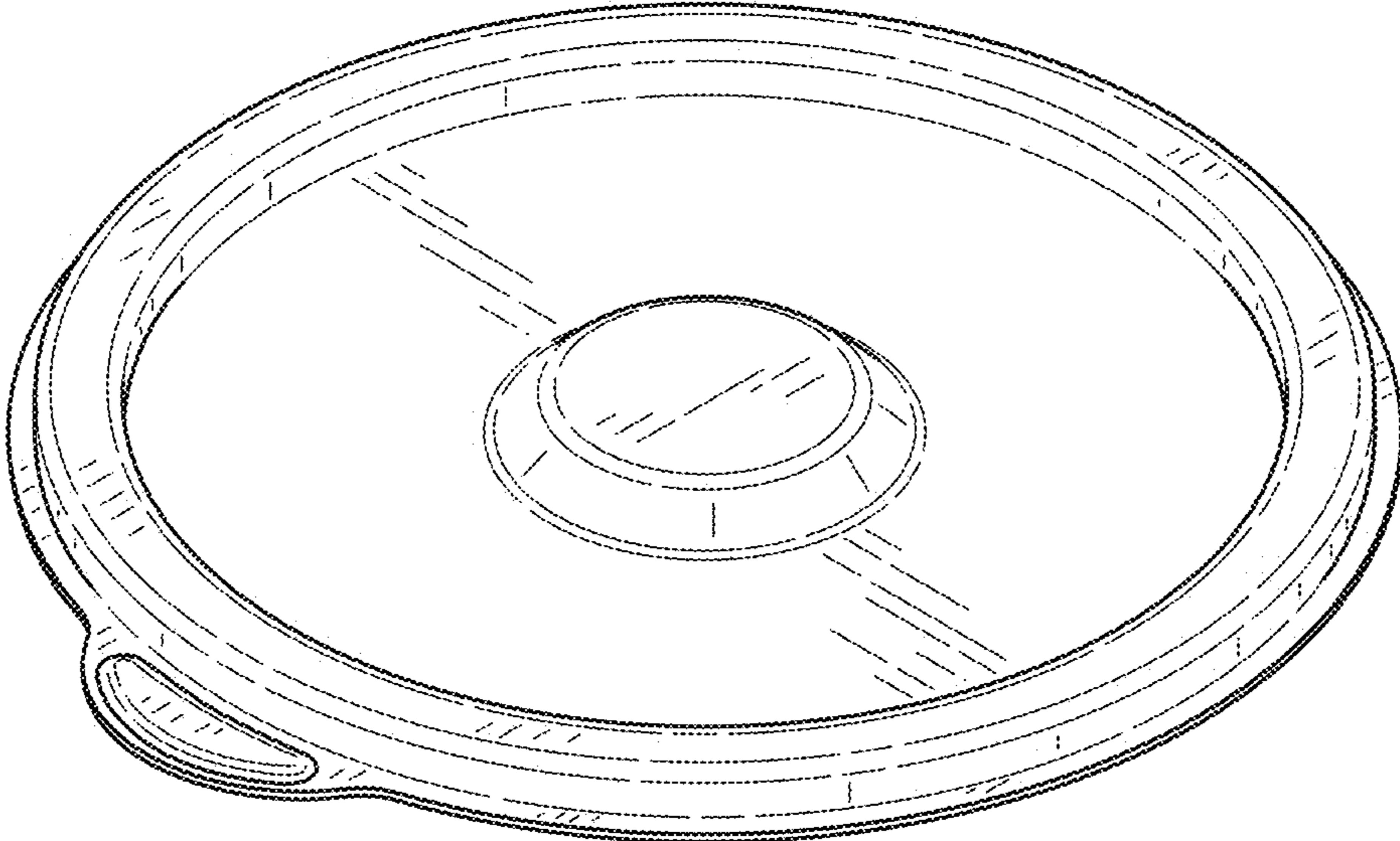


FIG.1

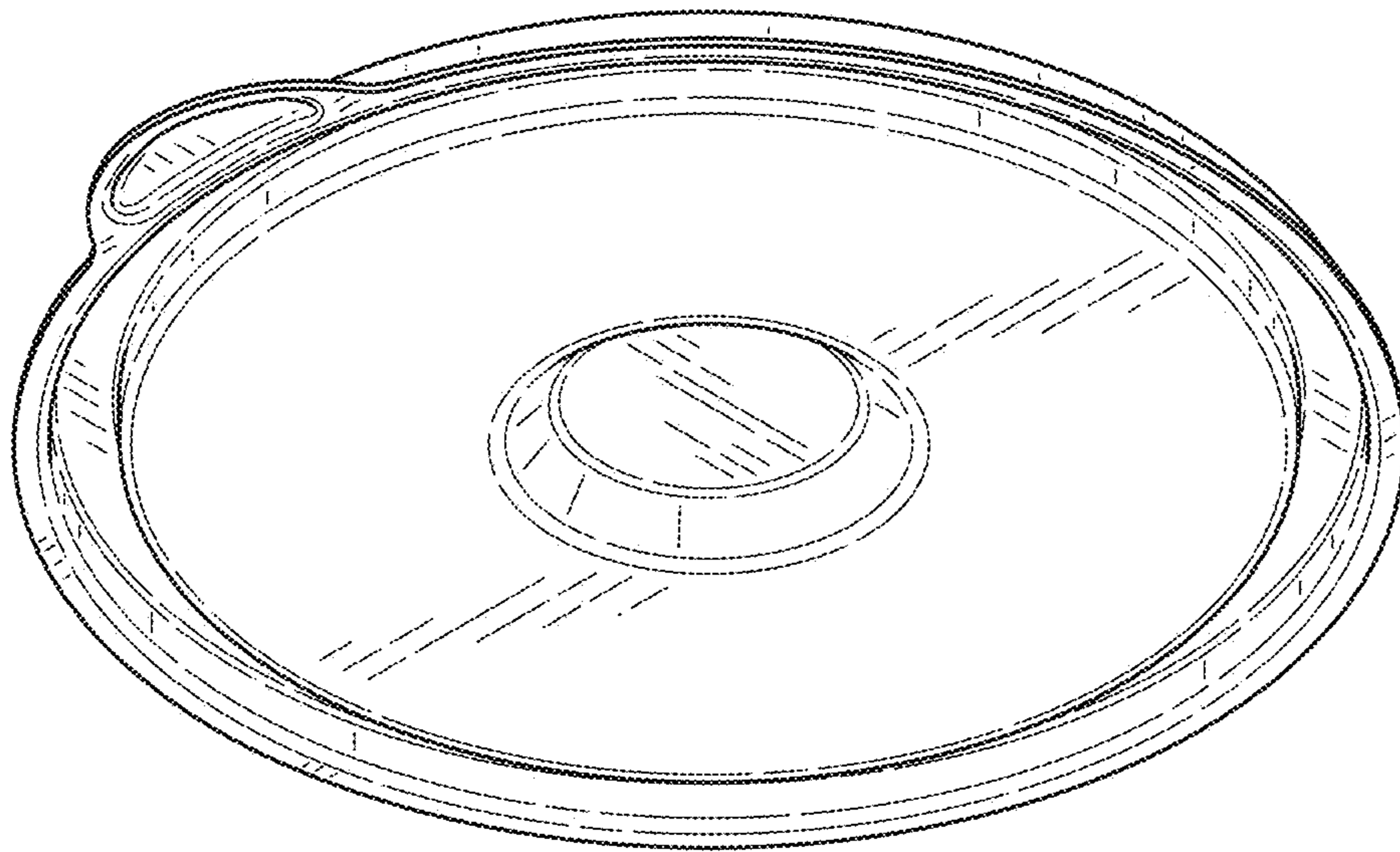


FIG.2



FIG.3



FIG.4

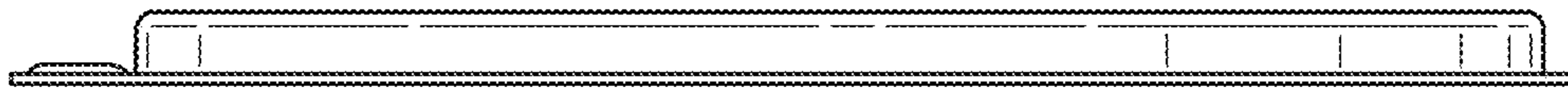


FIG. 5



FIG. 6



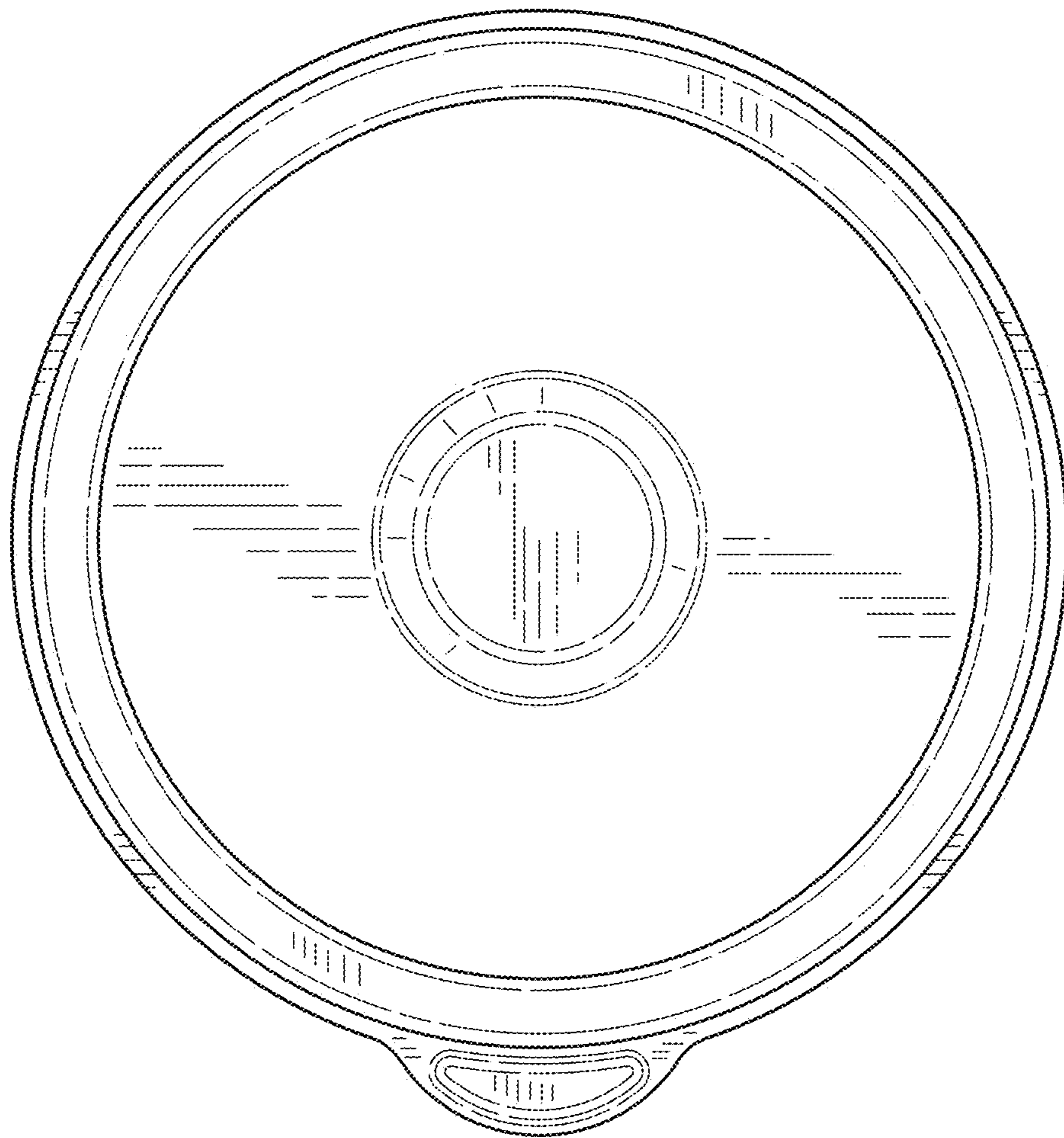


FIG.7

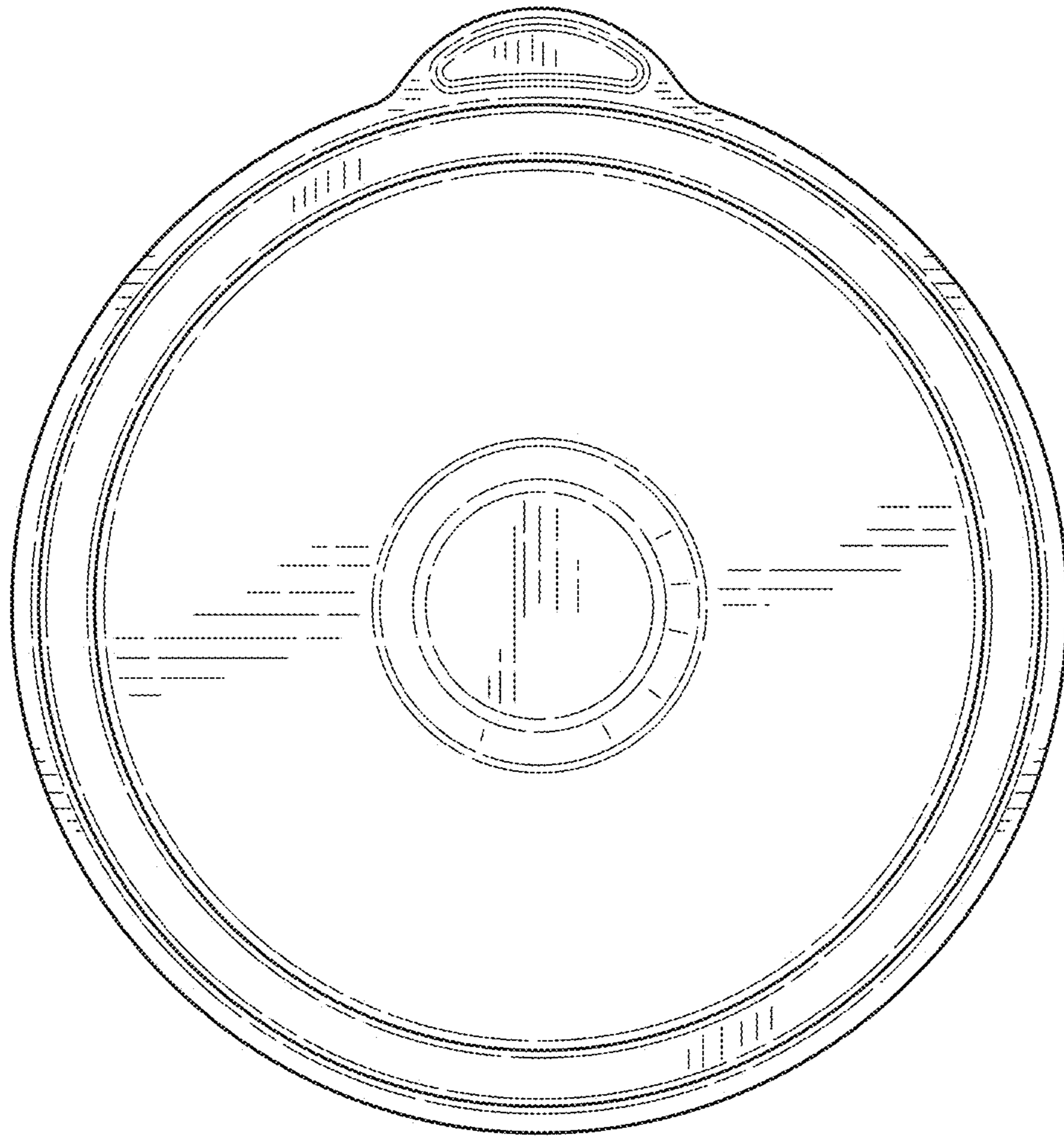


FIG. 8