



US00D951090S

(12) **United States Design Patent** (10) **Patent No.:** **US D951,090 S**  
**Chou** (45) **Date of Patent:** **\*\* May 10, 2022**

(54) **DRINK-THROUGH CUP LID**

(71) Applicant: **Jonathan Chou**, Valley Stream, NY (US)

(72) Inventor: **Jonathan Chou**, Valley Stream, NY (US)

(\*\*) Term: **15 Years**

(21) Appl. No.: **29/761,749**

(22) Filed: **Dec. 11, 2020**

(30) **Foreign Application Priority Data**

Sep. 30, 2020 (TW) ..... 109305541

(51) **LOC (13) Cl.** ..... **09-07**

(52) **U.S. Cl.**  
USPC ..... **D9/447; D9/438**

(58) **Field of Classification Search**  
USPC ..... D7/550.1, 554.2, 387, 391, 392, 392.1, D7/396.1, 396.2, 397, 398, 558, 624.1, D7/667, 388, 403, 407, 408, 409; D9/723, 724, 434, 435, 436, 438, 443, D9/445, 447, 448, 449, 450, 452, 453, D9/454; D23/206, 209, 259, 260, 261, D23/397

CPC ..... B65D 43/0208; B65D 2231/022; B65D 2543/00027; B65D 2543/00092; B65D 2543/000296; B65D 2543/00342; B65D 2543/00509; B65D 2543/00518; B65D 2543/00537; B65D 2543/00731; B65D 2543/00814; B65D 41/34; B65D 41/3428; B65D 51/245; B65D 51/295; B65D 1/20; B65D 2251/0018; B65D 2251/0071; B65D 2251/02; B65D 47/103; B29C 51/22; B29C 51/268; B29C 51/44; B29C 45/0001; B29C 45/0081; A47G 19/2272

See application file for complete search history.

(56) **References Cited**

U.S. PATENT DOCUMENTS

D1,164 S *	11/1859	Leonard	.....	D7/401.1
D26,539 S *	1/1897	Schram	.....	D9/447
D102,741 S *	1/1937	Bloomfield	.....	D9/447
D398,233 S *	9/1998	Wood	.....	D9/447
D484,050 S *	12/2003	Key	.....	D9/446
8,777,028 B2 *	7/2014	Sakulsacha	.....	A47G 19/2272
				215/11.4
D713,671 S *	9/2014	De Leo	.....	D7/392.1
D737,951 S *	9/2015	Lindsay	.....	D24/108
D813,594 S *	3/2018	Serruya	.....	D7/392.1
D861,893 S *	10/2019	Cudworth	.....	D24/196

(Continued)

*Primary Examiner* — Catherine S Posthauer

(74) *Attorney, Agent, or Firm* — Rosenberg, Klein & Lee

(57) **CLAIM**

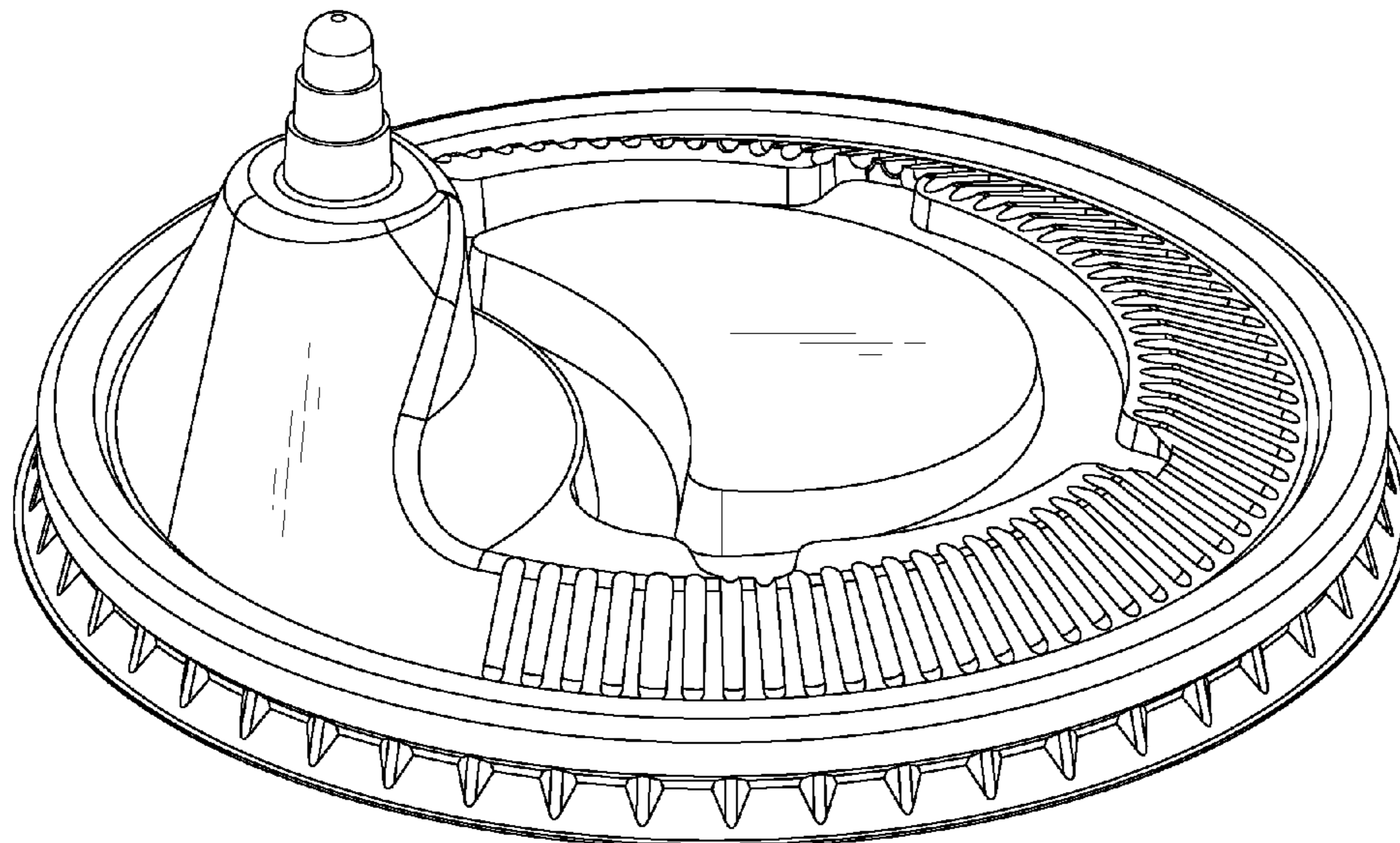
The ornamental design for a drink-through cup lid, as shown and described.

**DESCRIPTION**

FIG. 1 is a perspective view of a drink-through cup lid showing my new design;  
FIG. 2 is a bottom perspective view thereof;  
FIG. 3 is a front elevation view thereof;  
FIG. 4 is a rear elevation views thereof;  
FIG. 5 is a left elevation side view thereof;  
FIG. 6 is a top plan view thereof;  
FIG. 7 is a bottom plan view thereof;  
FIG. 8 is another top perspective view thereof, shown in a position of use with an exemplary cup;  
FIG. 9 is another top perspective view thereof, showing the tip of the drink-through cup lid being removed; and,  
FIG. 10 is another top perspective view thereof, showing the tip of the drink-through cup lid removed and above the drink-through cup lid.

The broken lines are shown for the purpose of illustrating environmental subject matter and form no part of the claimed design.

**1 Claim, 9 Drawing Sheets**



(56)

**References Cited**

U.S. PATENT DOCUMENTS

10,676,254 B2 \* 6/2020 Villarrubia ..... A47G 19/22  
D896,645 S \* 9/2020 Borel ..... D9/448  
D910,443 S \* 2/2021 Chou ..... D9/447  
2008/0149651 A1 \* 6/2008 Samson ..... B65D 47/06  
220/717  
2019/0367223 A1 \* 12/2019 Villarrubia ..... B65D 43/0212  
2020/0024039 A1 \* 1/2020 Chou ..... B65D 43/0212

\* cited by examiner

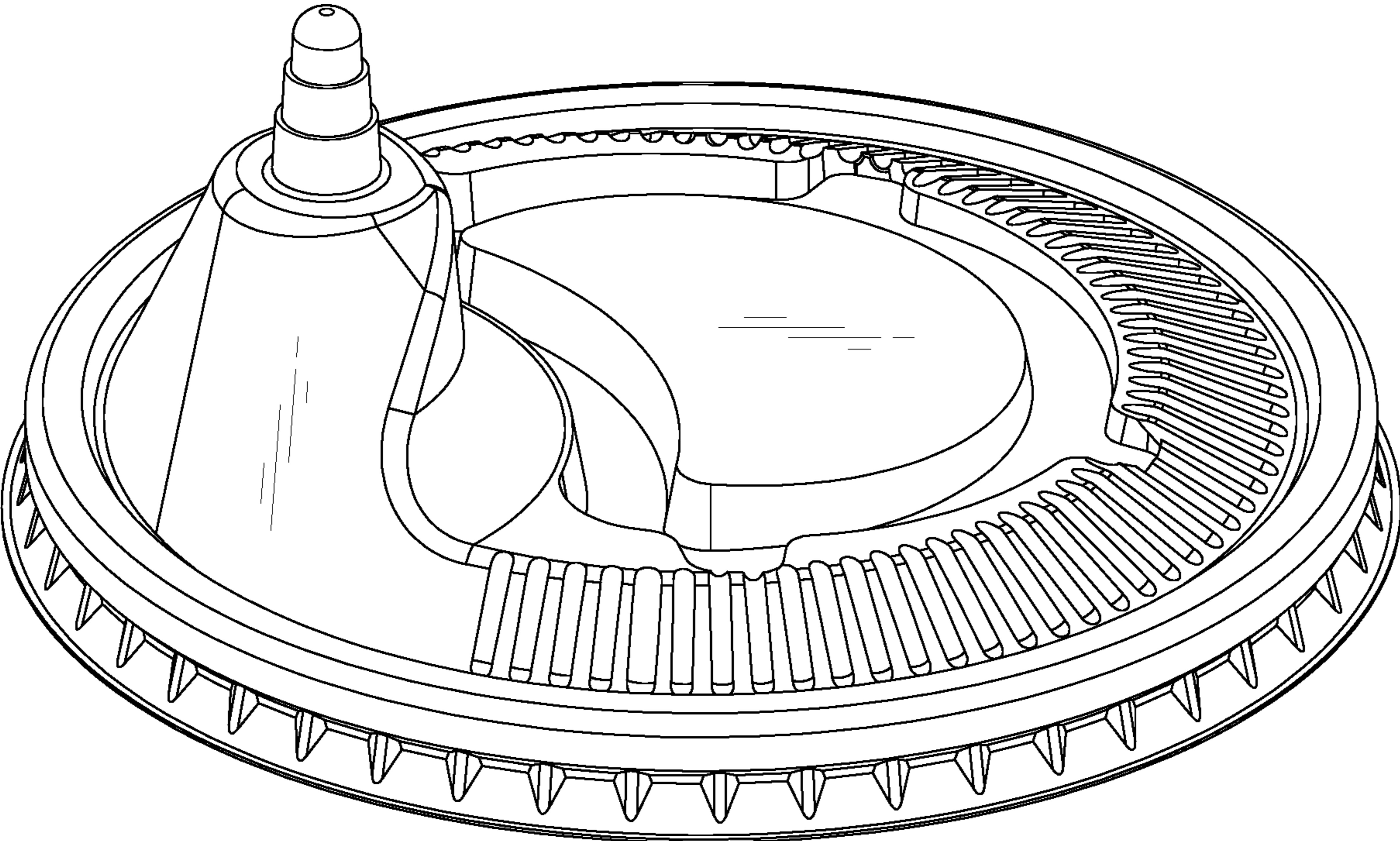


FIG.1

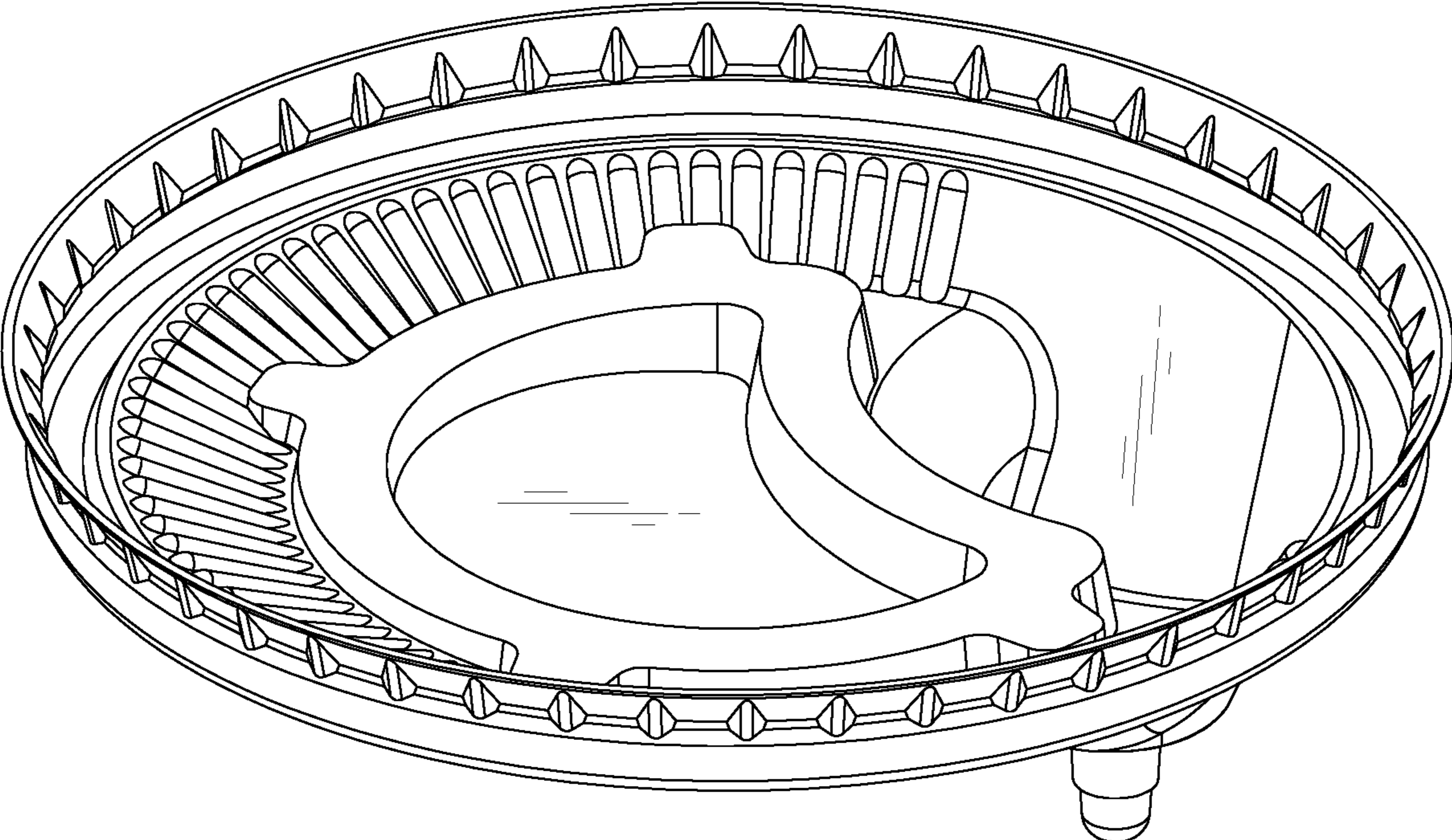
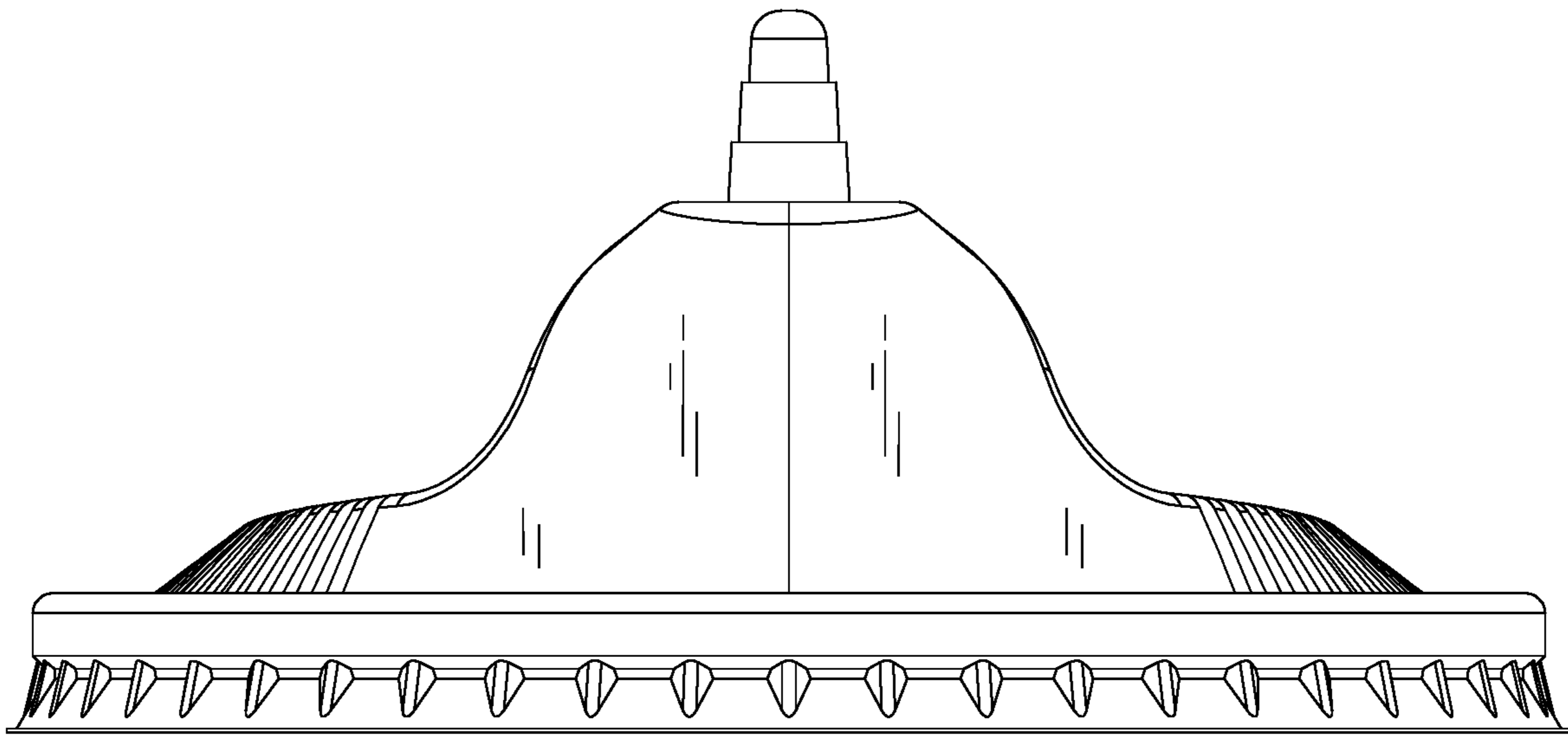
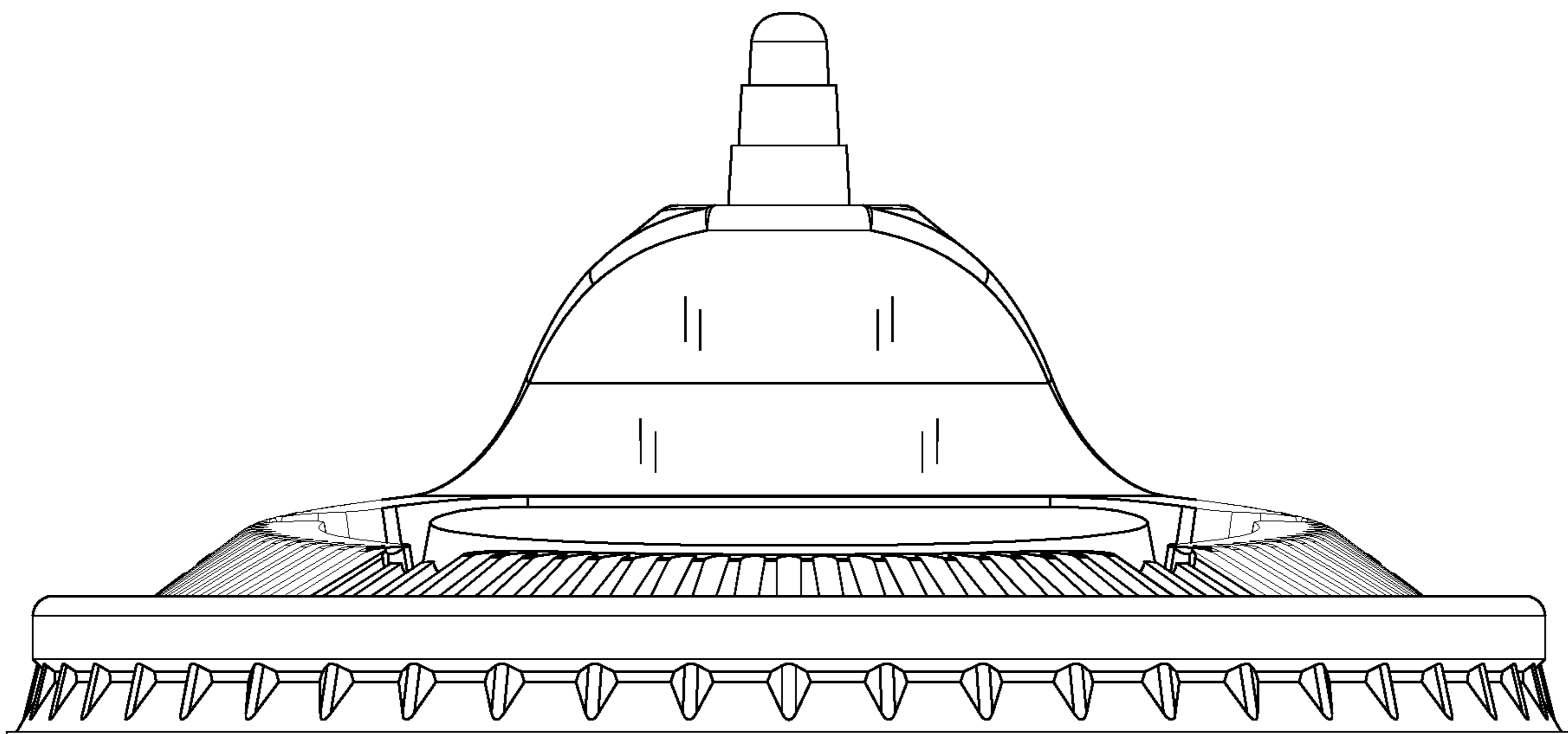


FIG.2



**FIG.3**



**FIG.4**

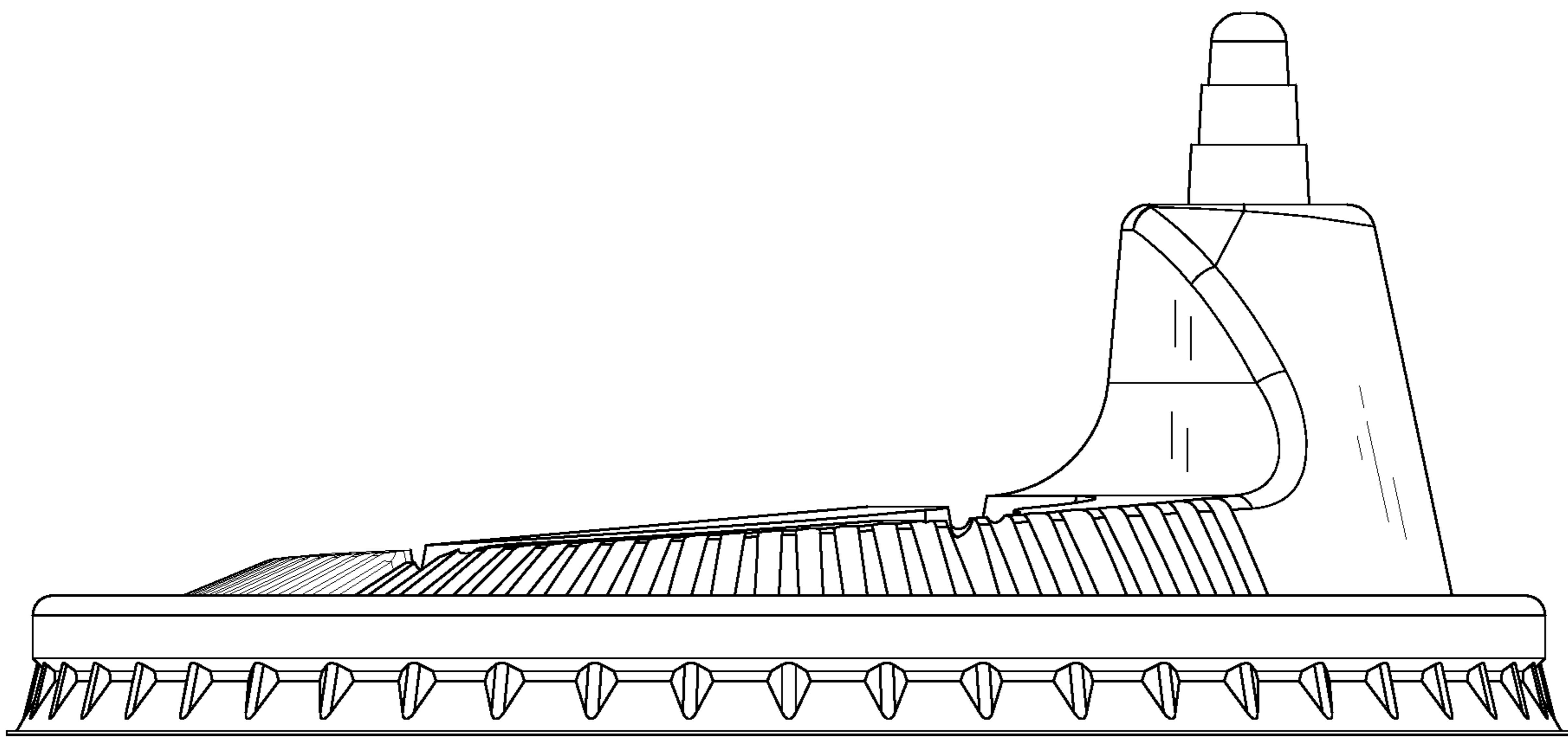


FIG.5

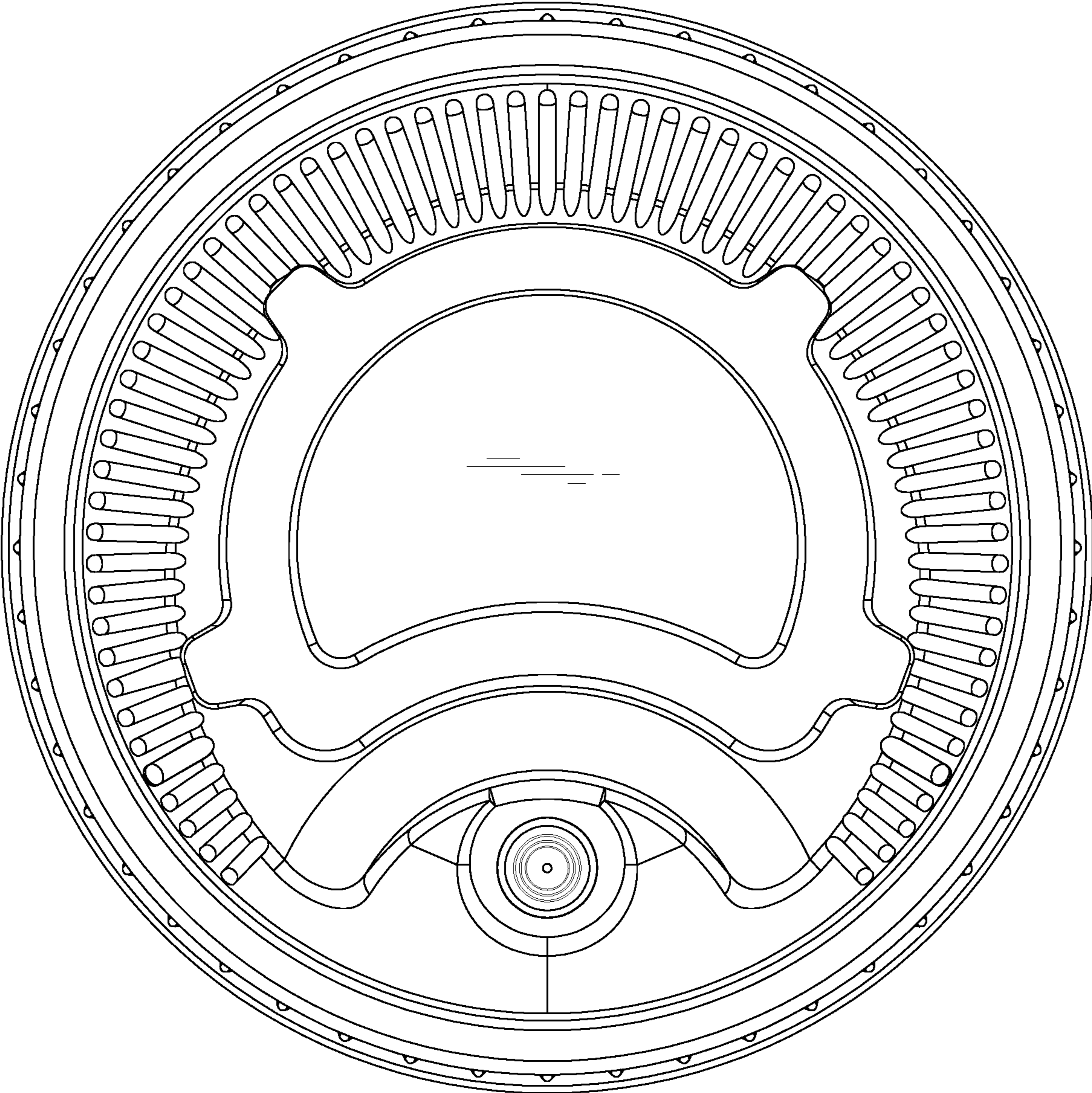


FIG.6

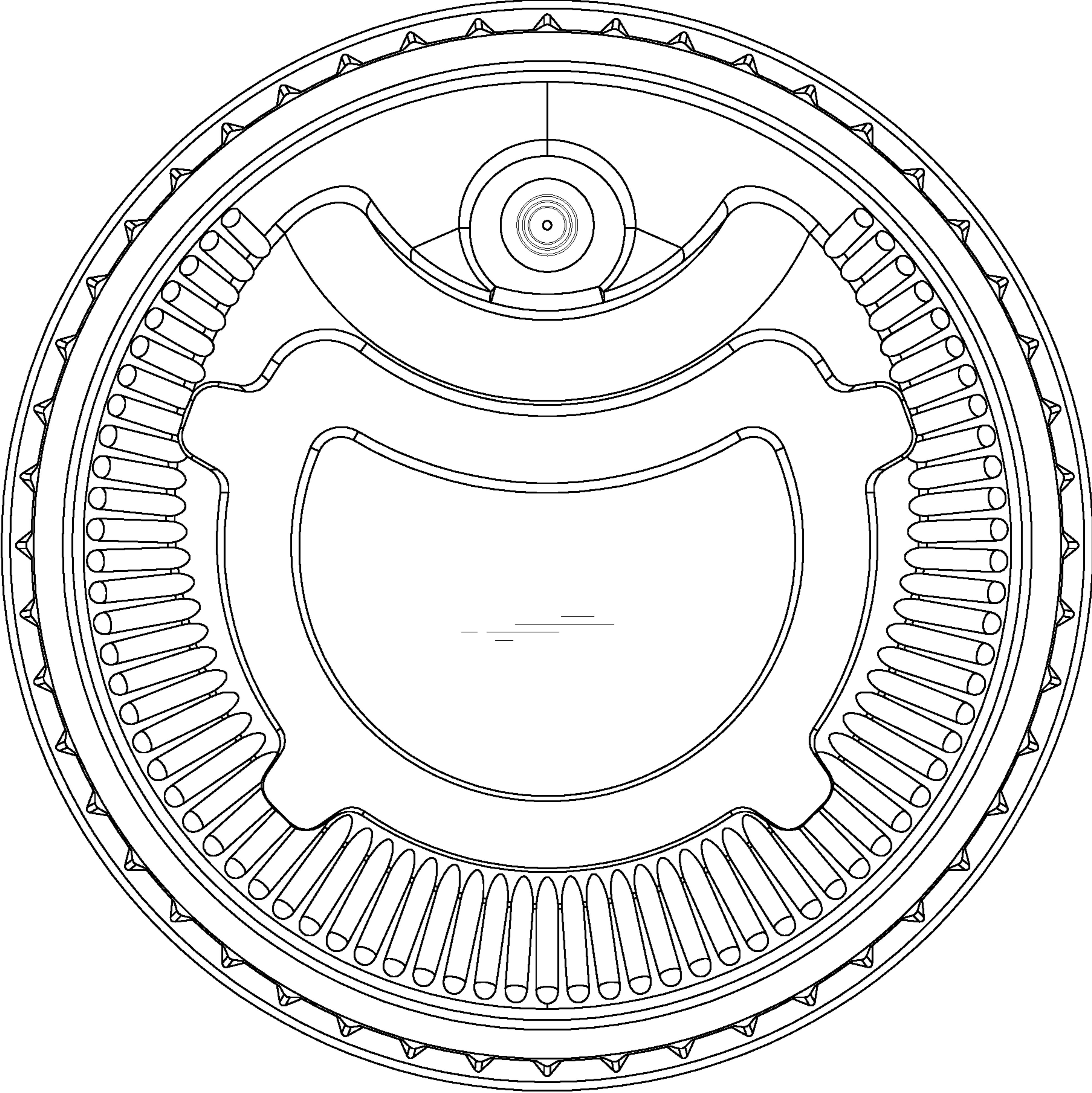


FIG.7



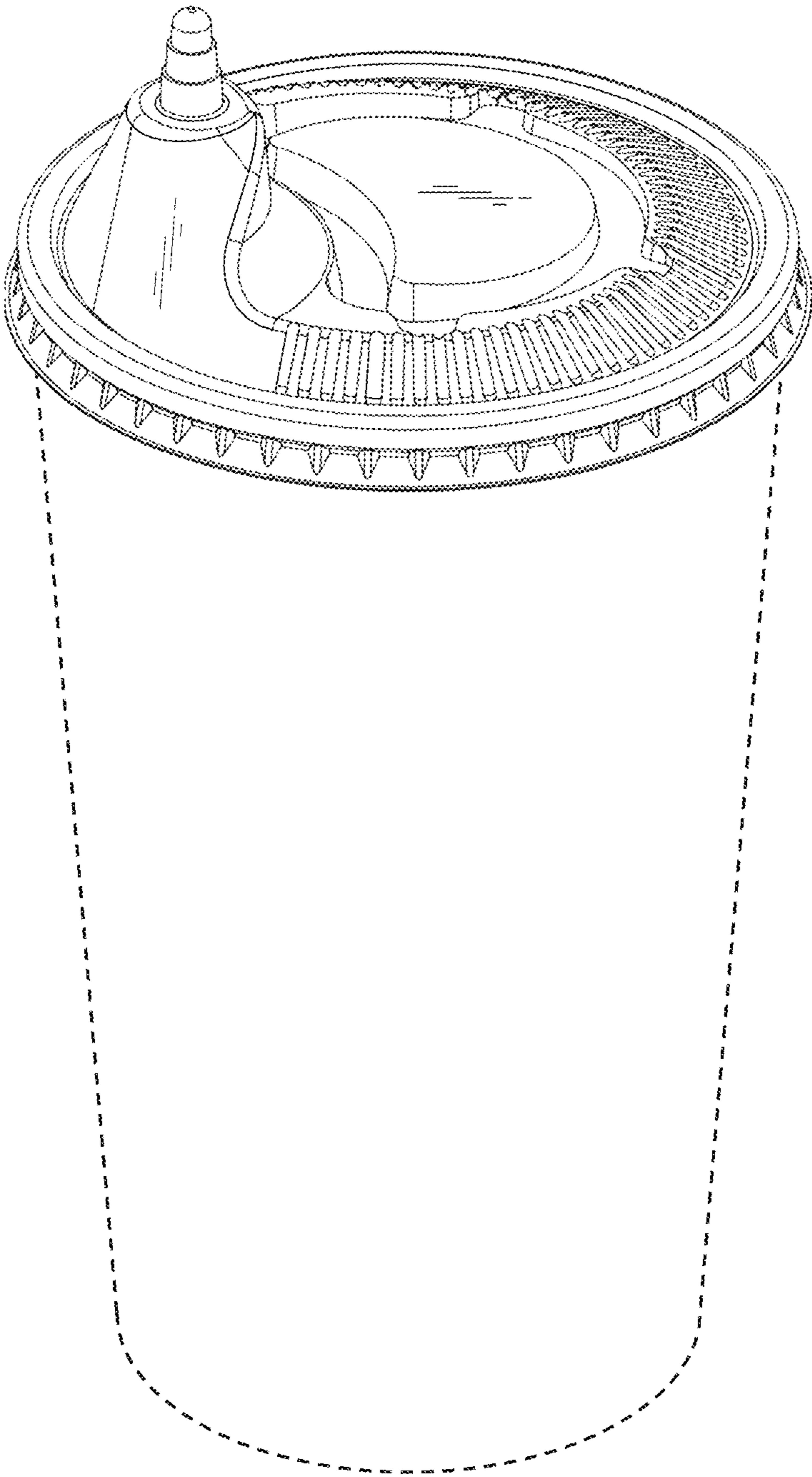


FIG.8

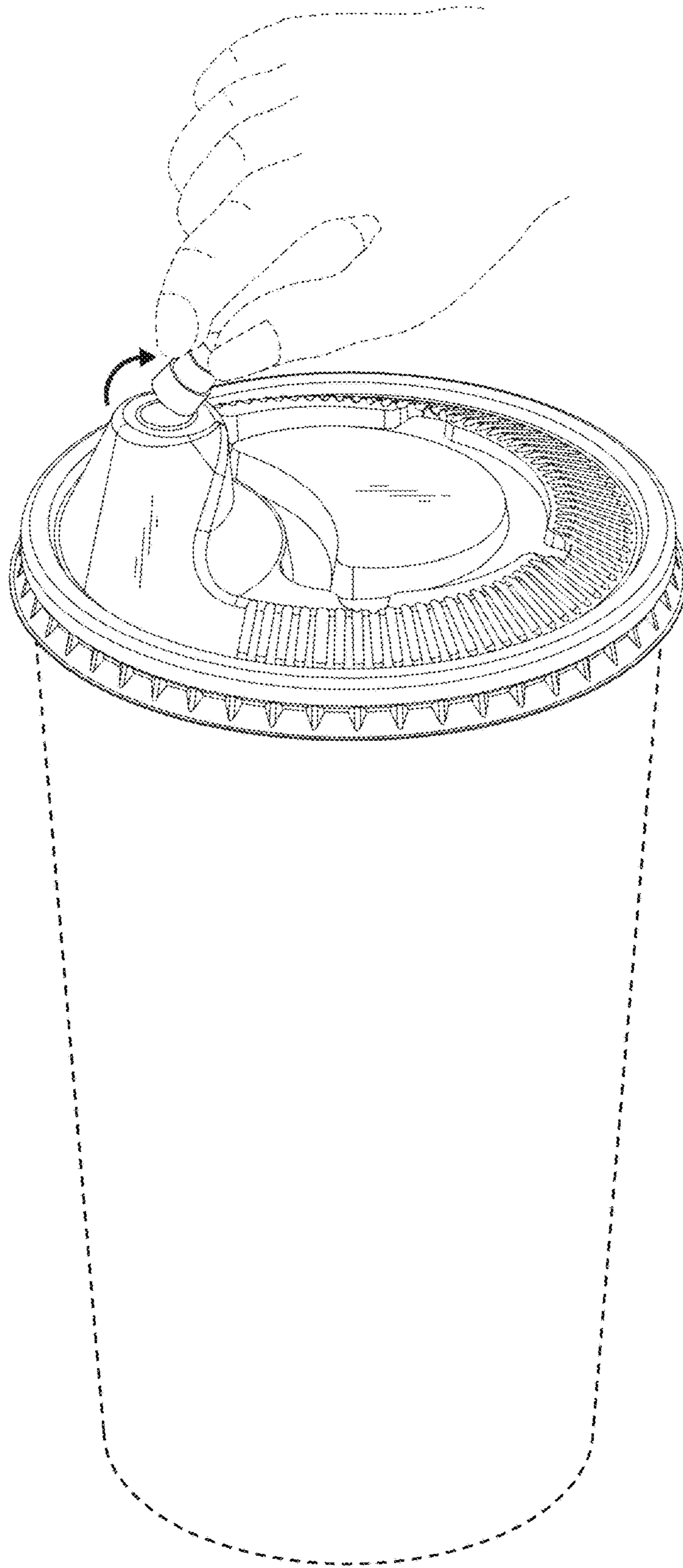


FIG.9

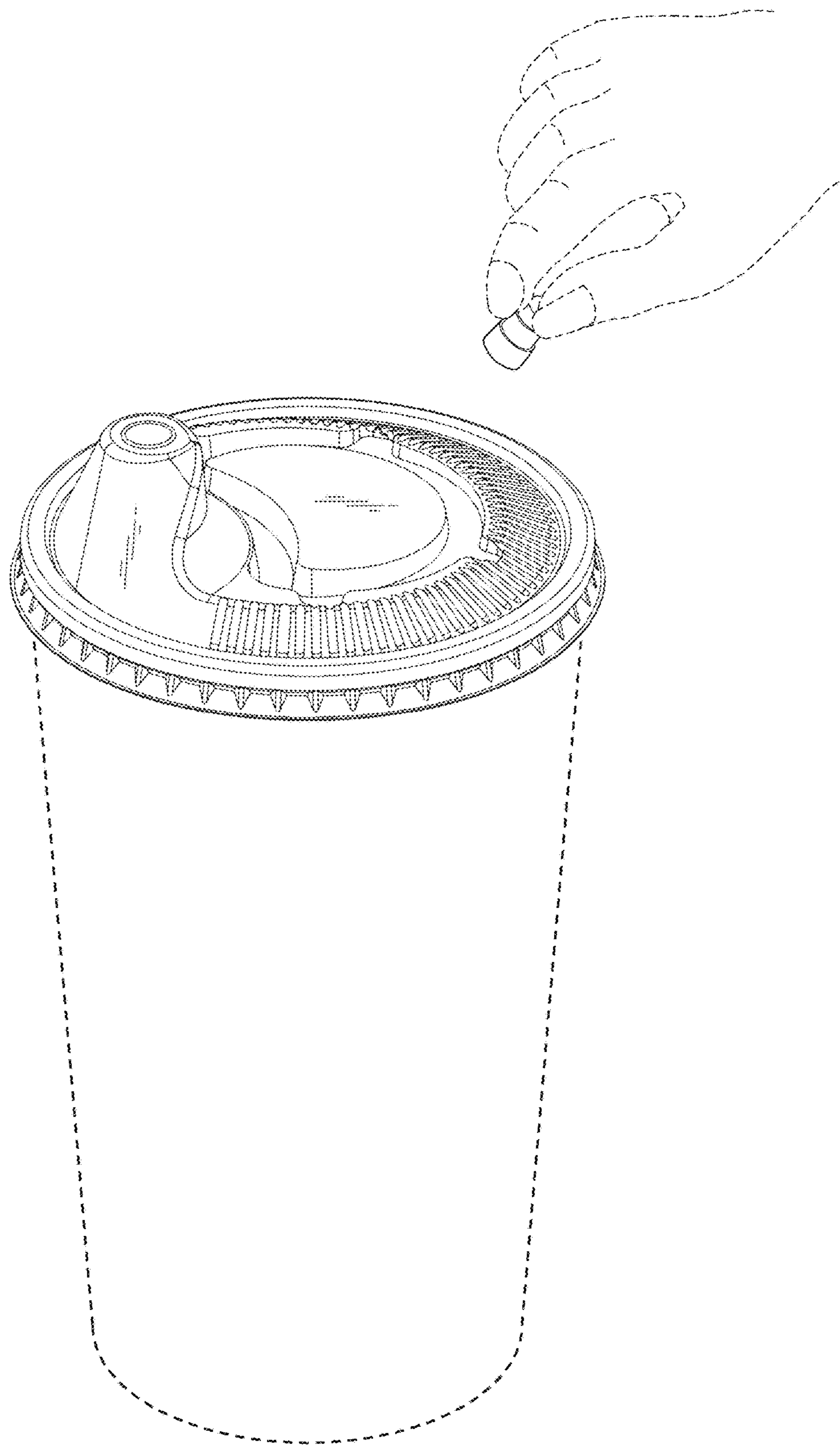


FIG.10