



US00D951089S

(12) **United States Design Patent**
Varga et al.

(10) **Patent No.:** **US D951,089 S**

(45) **Date of Patent:** **** May 10, 2022**

- (54) **LID**
- (71) Applicant: **InterDesign, Inc.**, Solon, OH (US)
- (72) Inventors: **Amanda Varga**, Brook Park, OH (US);
Sara Czukal McBride, Wickliffe, OH (US)
- (73) Assignee: **InterDesign, Inc.**, Solon, OH (US)
- (**) Term: **15 Years**
- (21) Appl. No.: **29/779,591**
- (22) Filed: **Apr. 20, 2021**

D420,859 S *	2/2000	Loew	D7/602
D439,159 S *	3/2001	Chen	D9/425
D479,271 S *	9/2003	Gaska	D19/75
D555,476 S *	11/2007	Nielsen	D9/425
D557,993 S *	12/2007	Stamper	D7/629
D571,200 S *	6/2008	Bouveret	D9/435
D575,095 S *	8/2008	Schreiber-Pethan	D7/354
D596,857 S *	7/2009	Ahlgrim	D3/307
D602,255 S *	10/2009	Ahlgrim	D3/304
D631,745 S *	2/2011	Lawrence	D9/435
D640,895 S *	7/2011	Tosdale	D7/354
D649,839 S *	12/2011	Stamper	D7/602
D656,778 S *	4/2012	Bolgert	D7/354
D665,221 S *	8/2012	Tosdale	D7/354
D672,612 S *	12/2012	Stamper	D7/602
D677,851 S *	3/2013	Harris	D34/27
D717,122 S *	11/2014	Carlson	D7/602

(Continued)

Related U.S. Application Data

- (63) Continuation of application No. 29/687,920, filed on Apr. 17, 2019, now Pat. No. Des. 919,971.
- (51) **LOC (13) Cl.** **09-01**
- (52) **U.S. Cl.**
USPC **D9/435**; D3/242
- (58) **Field of Classification Search**
USPC D3/201, 205–206, 303–306, 307–309,
D3/310–315, 242; D9/435, 432
CPC ... B65D 1/00; B65D 1/22; B65D 1/24; B65D
1/34; B65D 1/38; B65D 2543/00009;
A47G 23/0641; A47F 3/14; A47F 3/145
See application file for complete search history.

(56) **References Cited**

U.S. PATENT DOCUMENTS

3,170,594 A *	2/1965	Nascher	B65D 21/045 206/507
D289,246 S *	4/1987	Ritman	D7/584
D330,161 S *	10/1992	Schuh	D9/423
D360,898 S *	8/1995	Huerto	D19/75
D368,162 S *	3/1996	Miller	D3/323
D415,656 S *	10/1999	Henry	D7/354
D417,361 S *	12/1999	Mittmann	D7/396.1

Primary Examiner — Kelley A Donnelly

(74) *Attorney, Agent, or Firm* — Calfee, Halter & Griswold LLP

(57) **CLAIM**

We claim the ornamental design for a lid, as shown and described.

DESCRIPTION

FIG. 1 is a front/left/top perspective view of a portion of a lid (a front/right/top perspective view would be a mirror image thereof);

FIG. 2 is a top plan view thereof;

FIG. 3 is a left side elevational view thereof; a right side elevational view would be a mirror image thereof;

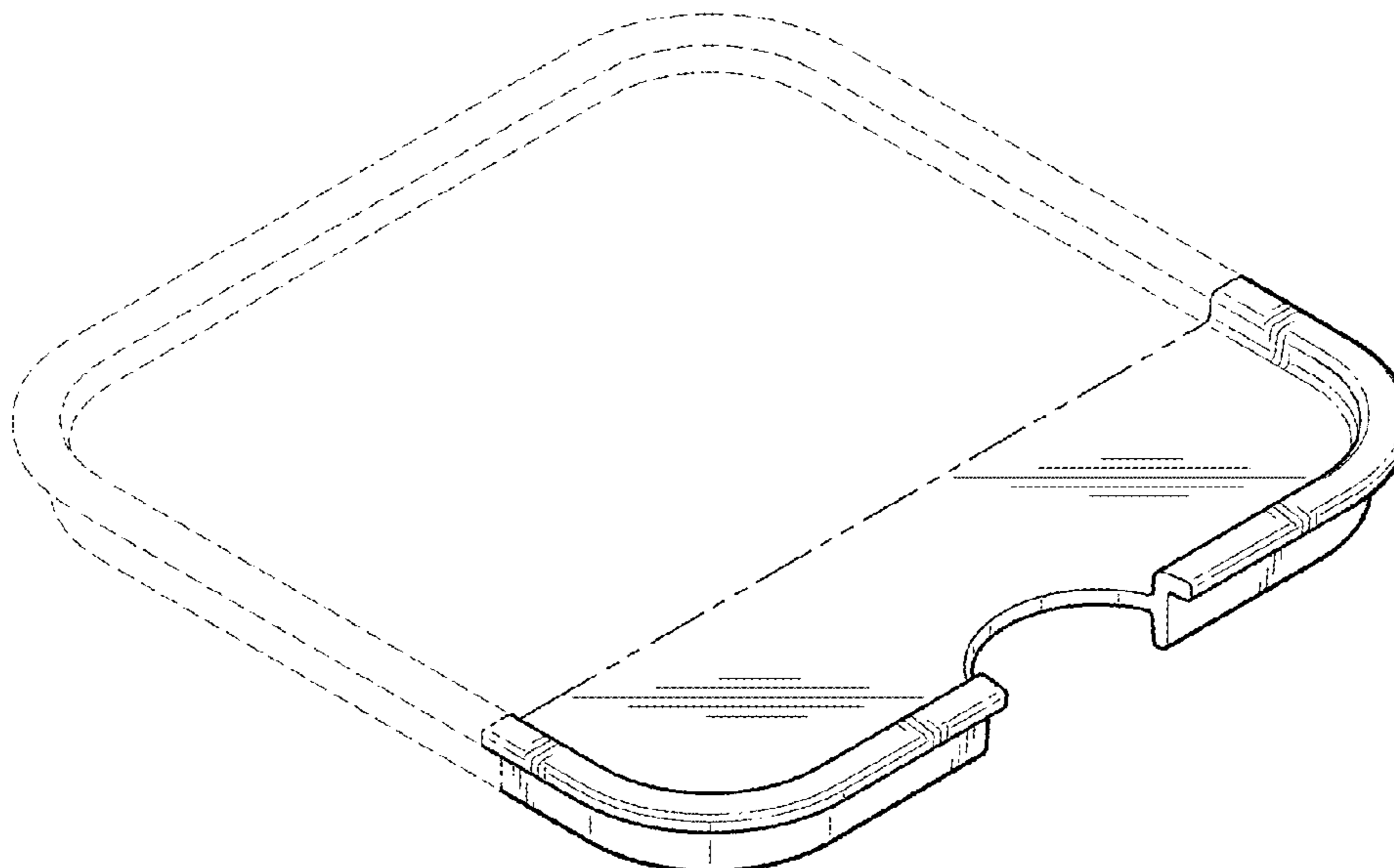
FIG. 4 is a front elevational view thereof;

FIG. 5 is a bottom plan view thereof; and,

FIG. 6 is a rear elevational view thereof.

The uniformly broken lines are directed to portions of the lid that form no part of the claimed design. The dash-dot broken lines show the bounds of the invention. The broken lines form no part of the claimed design.

1 Claim, 4 Drawing Sheets



(56)

References Cited

U.S. PATENT DOCUMENTS

D732,385	S	*	6/2015	Bouveret	D9/425
D734,991	S	*	7/2015	Carlson	D7/602
D740,601	S	*	10/2015	Carlson	D7/391
D751,336	S	*	3/2016	Cetti	D7/391
D753,992	S	*	4/2016	Shiffer	D9/428
D771,432	S	*	11/2016	Affatato	D7/391
9,546,033	B2	*	1/2017	Everingham	B65D 51/28
D781,585	S	*	3/2017	Levie	D3/310
D790,337	S	*	6/2017	Sofy	D9/435
D806,391	S	*	1/2018	Ghiorghie	D3/304
D815,835	S	*	4/2018	Levie	D3/310
D825,923	S	*	8/2018	Suomela	D3/304
D836,914	S	*	1/2019	Reinhart	D3/318
D837,521	S	*	1/2019	Connors	D3/304
D851,487	S	*	6/2019	Duvigneau	D9/435
D863,764	S	*	10/2019	Zemel	D3/310
D889,126	S	*	7/2020	Staiano	D3/304
D891,777	S	*	8/2020	Newton	D3/304
D893,874	S	*	8/2020	Kraemer	D3/310
D911,098	S	*	2/2021	Thurin	D7/392.1
D912,478	S	*	3/2021	Hollinger	D7/630
D918,671	S	*	5/2021	Souza	D7/630
D919,971	S	*	5/2021	Varga	D3/304
D936,929	S	*	11/2021	Joseph	D34/11
2020/0165039	A1	*	5/2020	Fretta	B65D 43/0243
2020/0277115	A1	*	9/2020	Mithani	F16J 15/102

* cited by examiner

FIG. 1

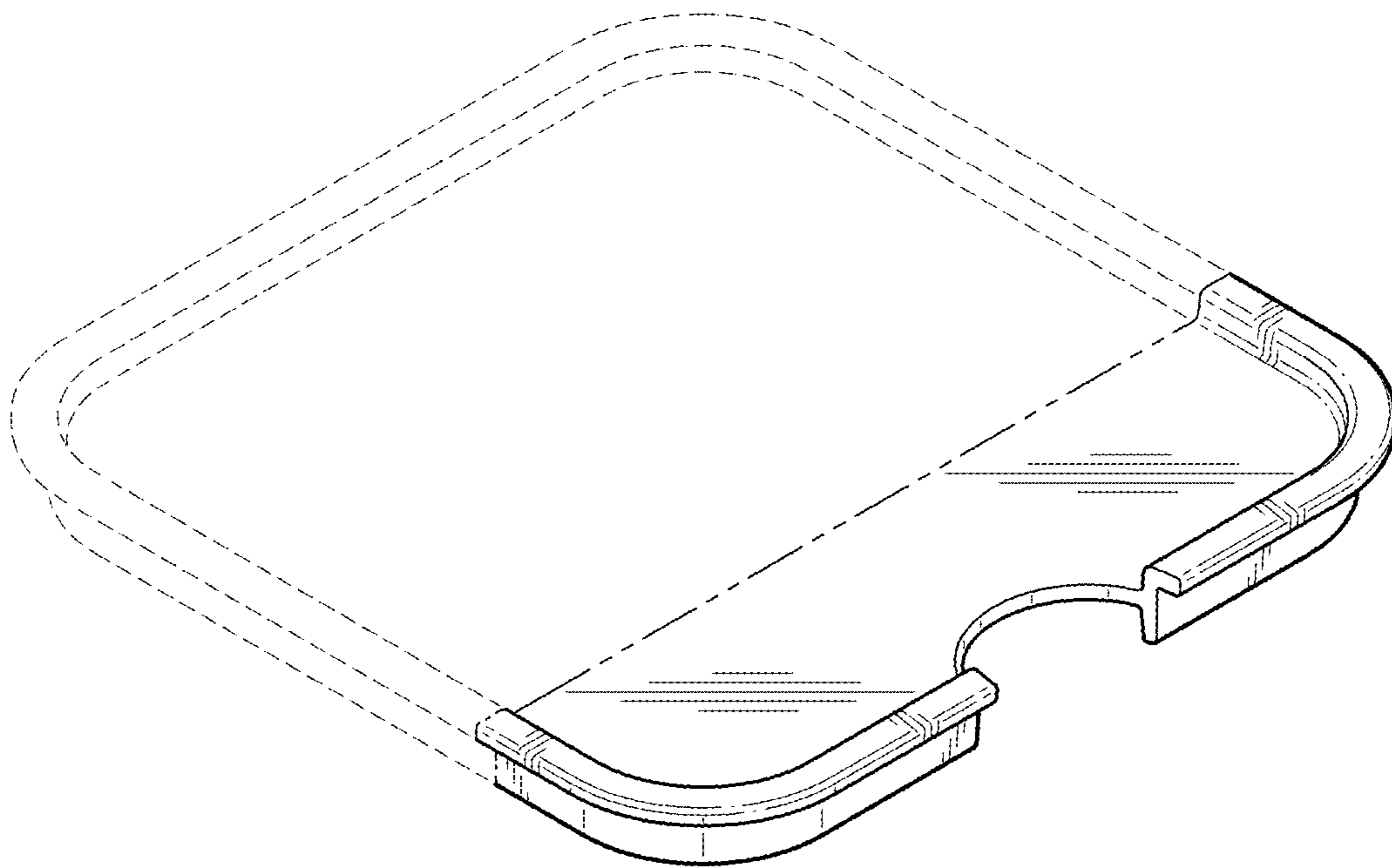


FIG. 2

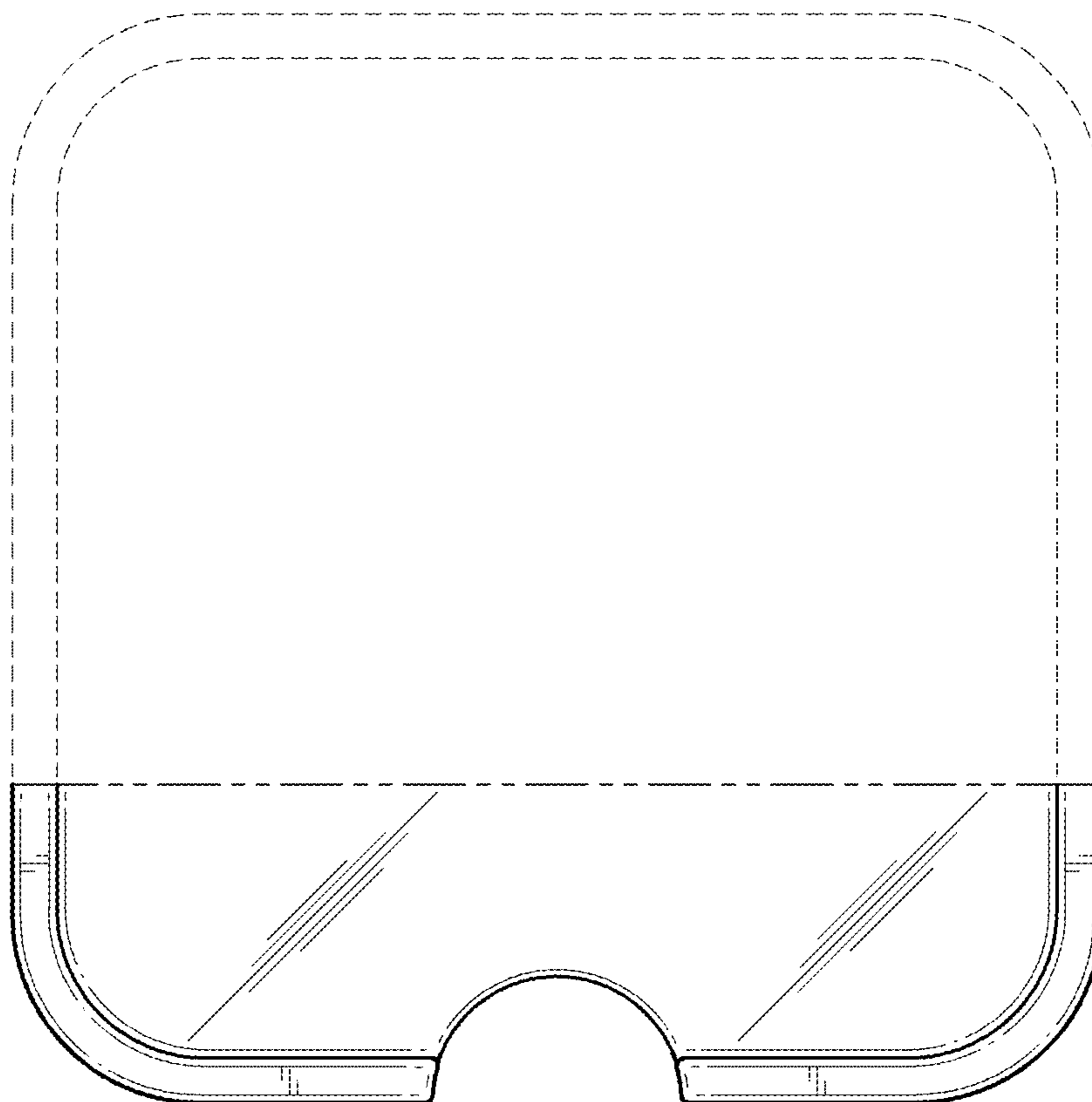


FIG. 3

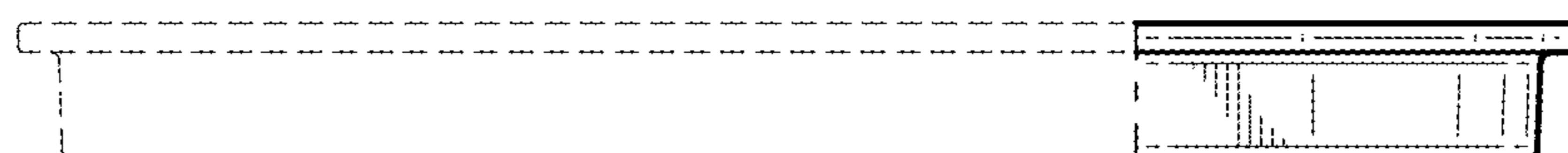


FIG. 4

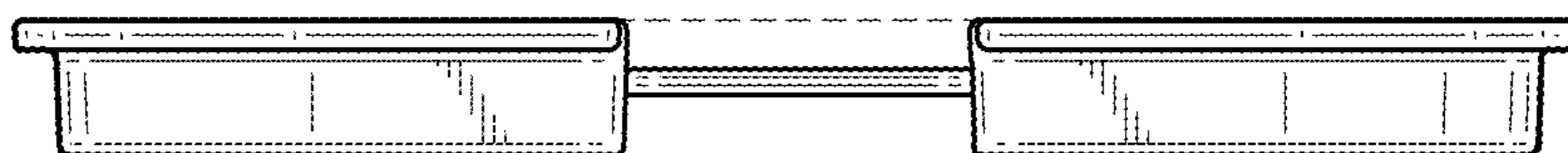


FIG. 5

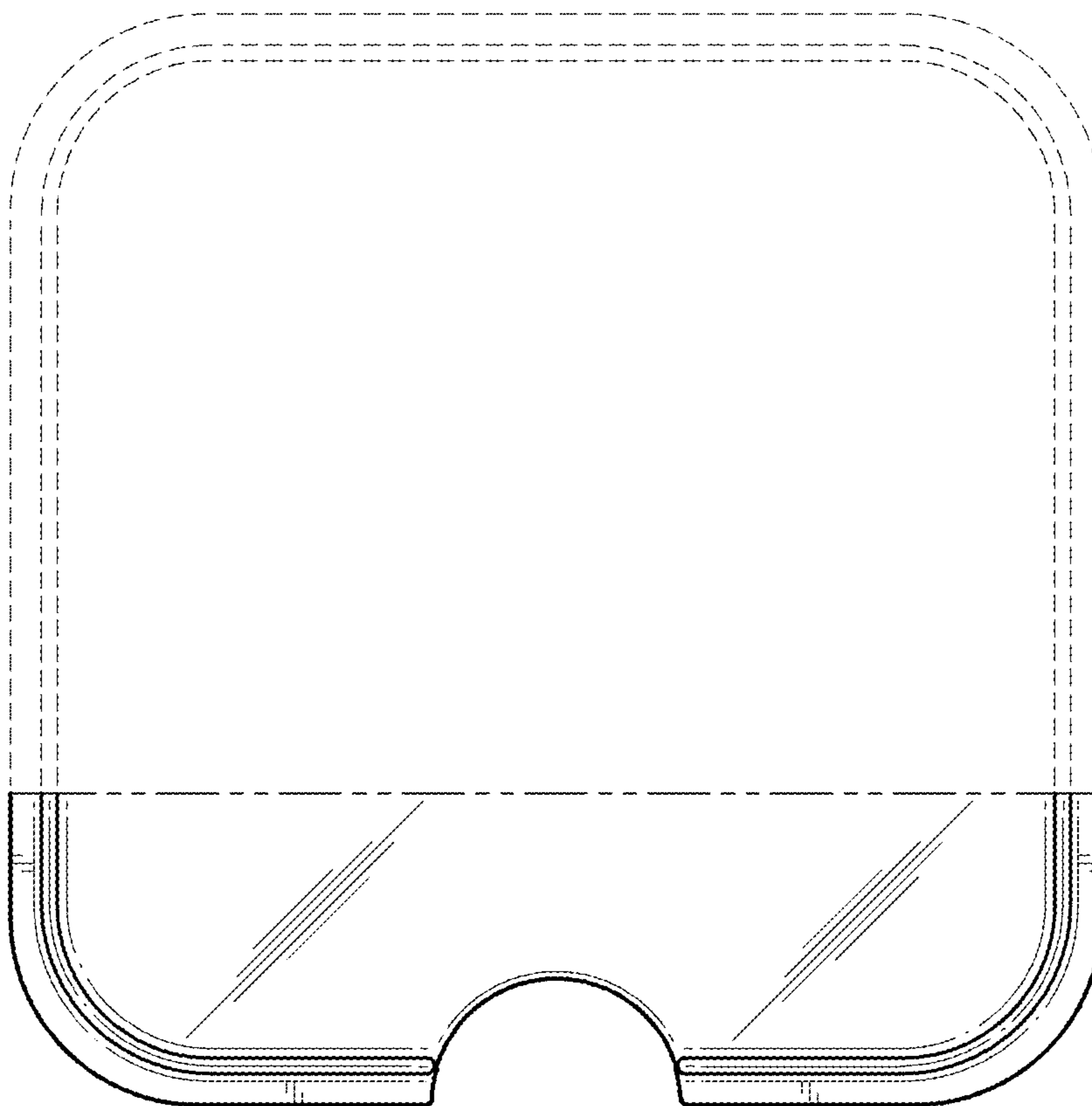


FIG. 6

