



US00D951088S

(12) **United States Design Patent**  
**Wikstrom**

(10) **Patent No.:** **US D951,088 S**

(45) **Date of Patent:** **\*\* May 10, 2022**

(54) **TAMPER-EVIDENT CONTAINER SEAL**

(71) Applicant: **Todd Wikstrom**, Las Vegas, NV (US)

(72) Inventor: **Todd Wikstrom**, Las Vegas, NV (US)

(\*\*) Term: **15 Years**

(21) Appl. No.: **29/720,614**

(22) Filed: **Jan. 14, 2020**

(51) **LOC (13) Cl.** ..... **09-07**

(52) **U.S. Cl.**  
USPC ..... **D9/435**

(58) **Field of Classification Search**  
USPC ..... D9/435, 427, 425  
CPC .... B65D 5/065; B65D 5/2085; B65D 5/4266;  
B65D 5/0254; B65D 5/0263; B65D  
5/6644; B65D 5/6655; B65D 2265/20;  
B65D 5/106; Y10S 206/807  
See application file for complete search history.

(56) **References Cited**

**U.S. PATENT DOCUMENTS**

4,846,397	A *	7/1989	Copeland	.....	B65D 5/16 229/102
5,100,052	A *	3/1992	Vajtay	.....	B65D 5/14 229/125.17
D462,269	S *	9/2002	Hunter	.....	D9/435
7,540,404	B2 *	6/2009	Arai	.....	B65D 5/4216 229/102
9,016,556	B2 *	4/2015	Hirsh	.....	B65D 5/0254 229/157
D729,062	S *	5/2015	Julius	.....	D9/435
D782,302	S *	3/2017	Voncina	.....	D9/435
11,040,797	B2 *	6/2021	Zeiler	.....	B65D 17/08

\* cited by examiner

*Primary Examiner* — Doris Clark

(74) *Attorney, Agent, or Firm* — Quickpatents, LLC;  
Kevin Prince

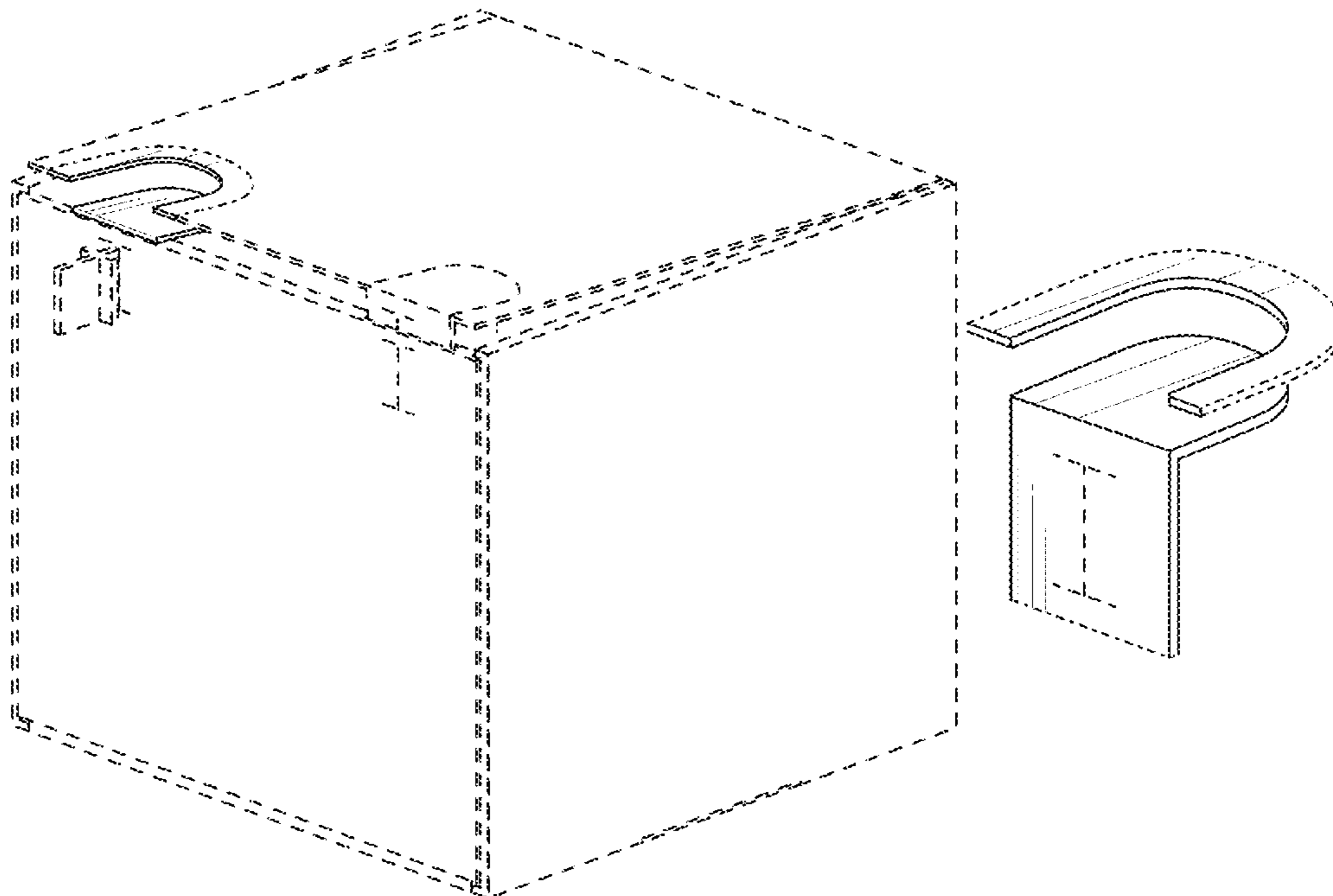
(57) **CLAIM**

The ornamental design for a tamper-evident container seal, as shown and described.

**DESCRIPTION**

FIG. 1 is a perspective view of a tamper-evident container seal, showing my new design in a sealed position; FIG. 2 is a perspective view thereof, illustrated in an unsealed position; FIG. 3 is an enlarged perspective view of FIG. 1; FIG. 4 is an enlarged perspective view of FIG. 2; FIG. 5 is a front elevational view of FIG. 3; FIG. 6 is a rear elevational view of FIG. 3; FIG. 7 is a right-side elevational view of FIG. 3, the left-side elevational view being a mirror image thereof; FIG. 8 is a top plan view of FIG. 3; and, FIG. 9 is a bottom plan view of FIG. 3. The broken lines showing a container and fastener device in FIGS. 1 and 2 depict environmental matter and form no part of the claimed design. The dot-dash broken line is a border of the claimed design. The broken lines within the border line in the drawings are perforations and are a part of the claimed design. The unsealed position shows the design with the perforation torn and elements of the tamper-evident container seal permanently separated.

**1 Claim, 4 Drawing Sheets**



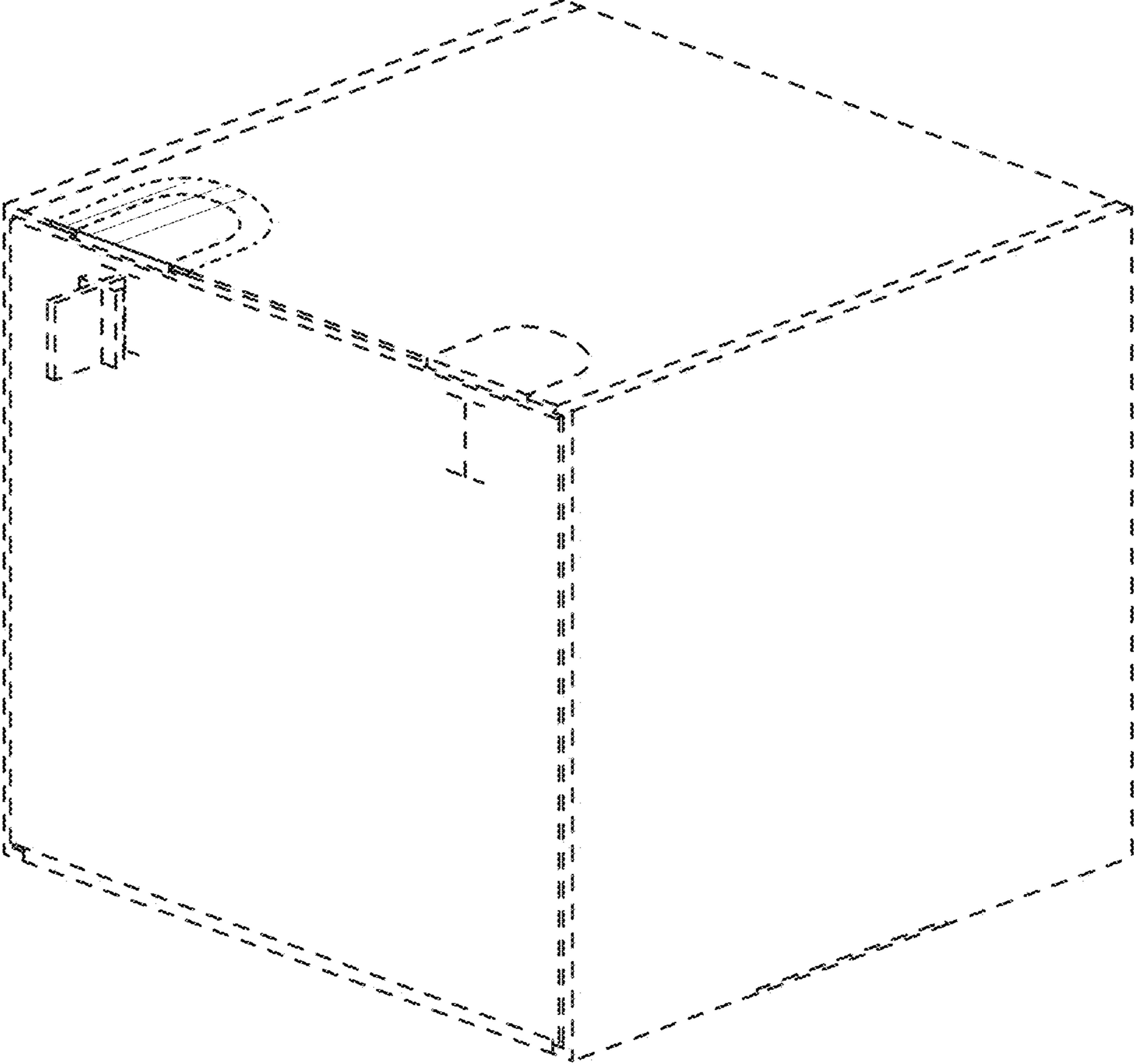


FIG. 1

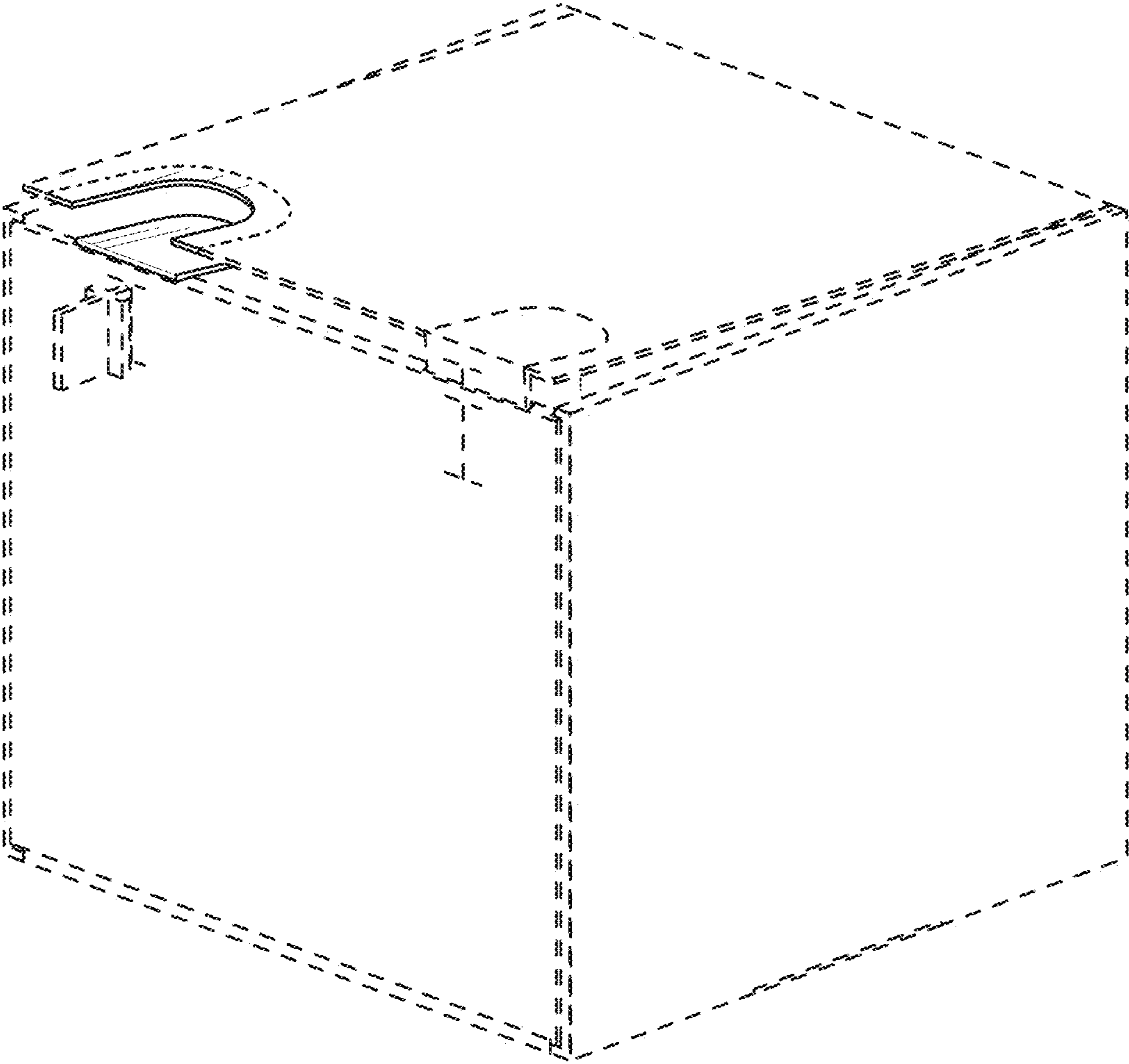


FIG. 2

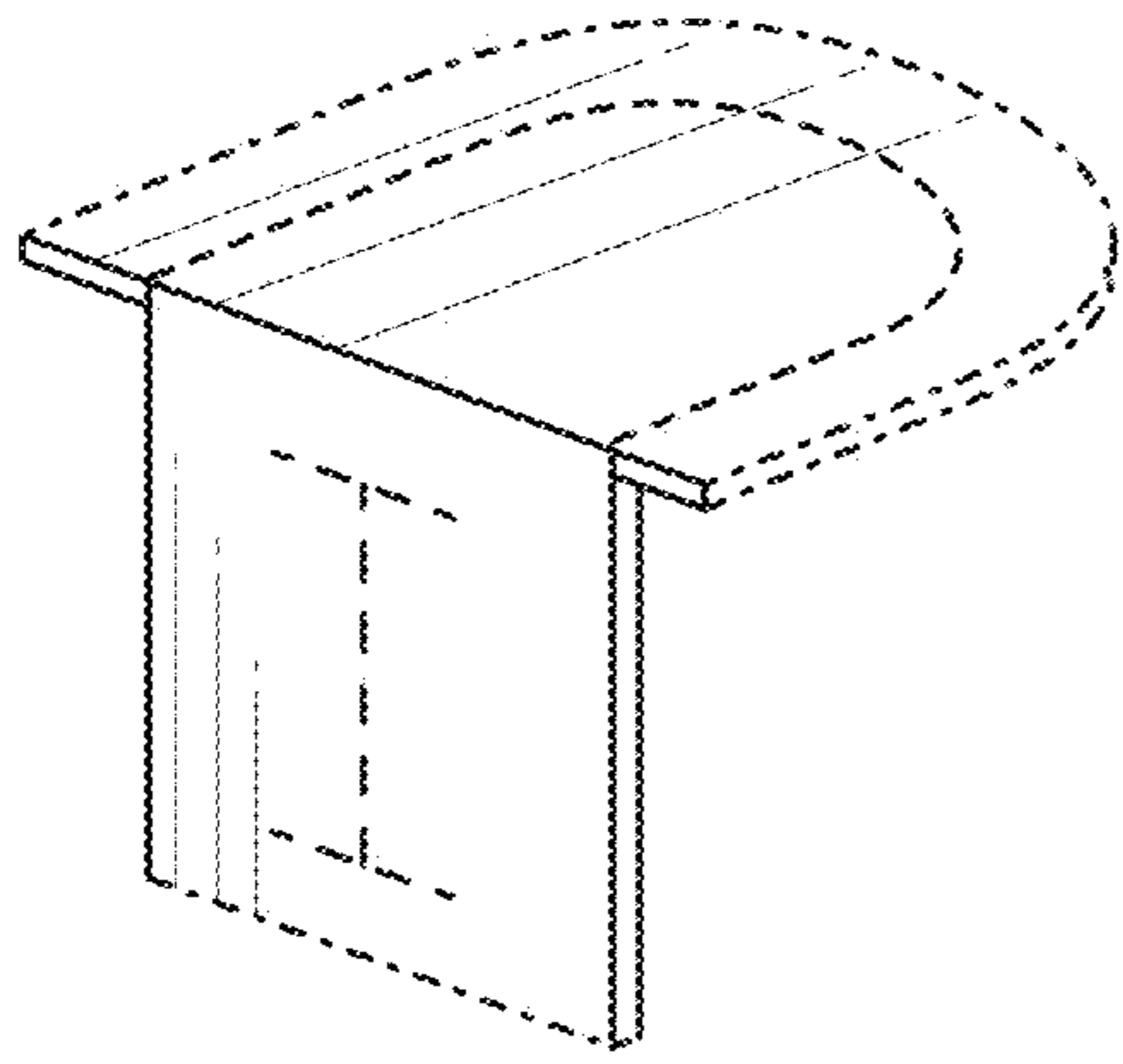


FIG. 3

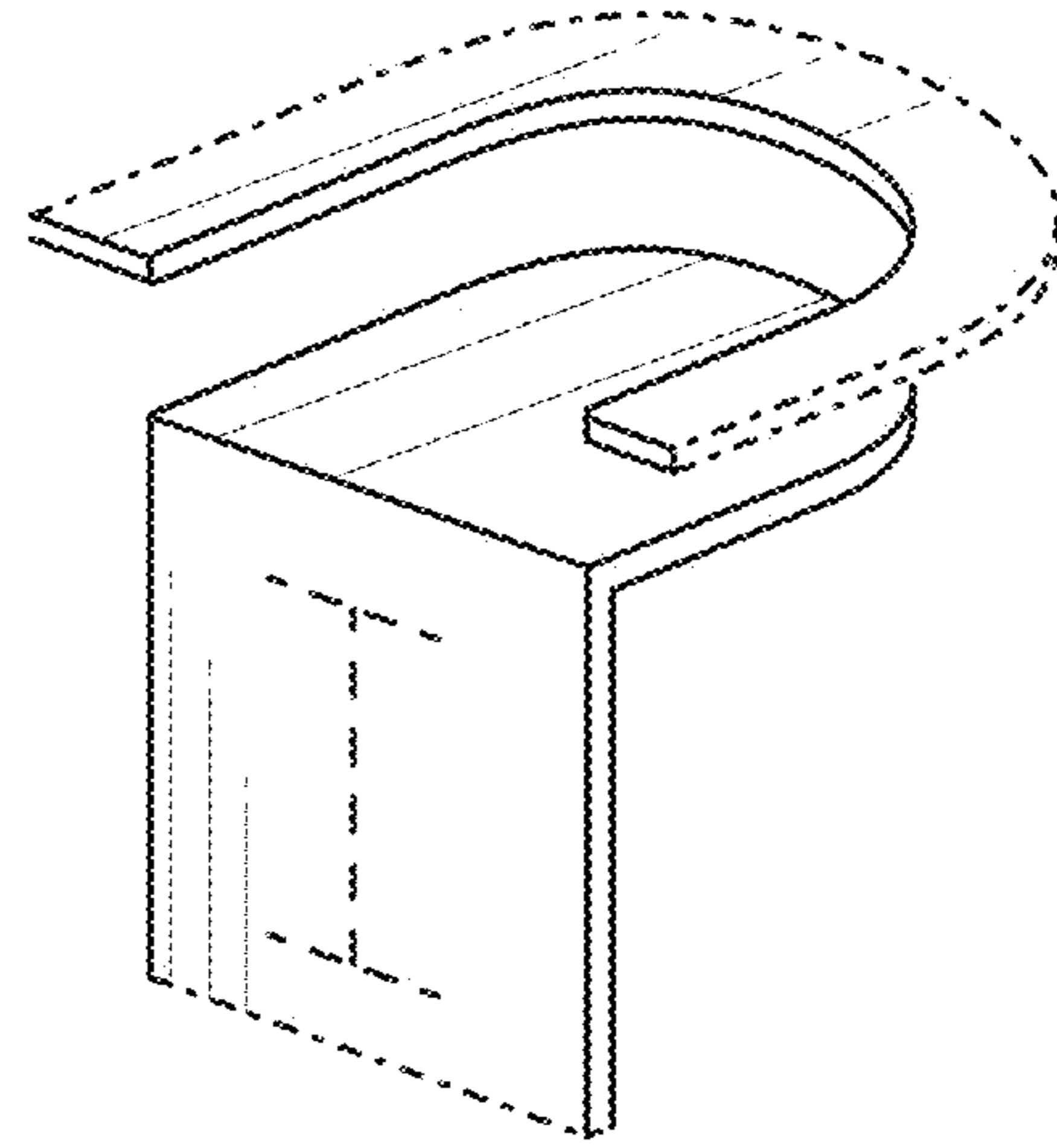


FIG. 4

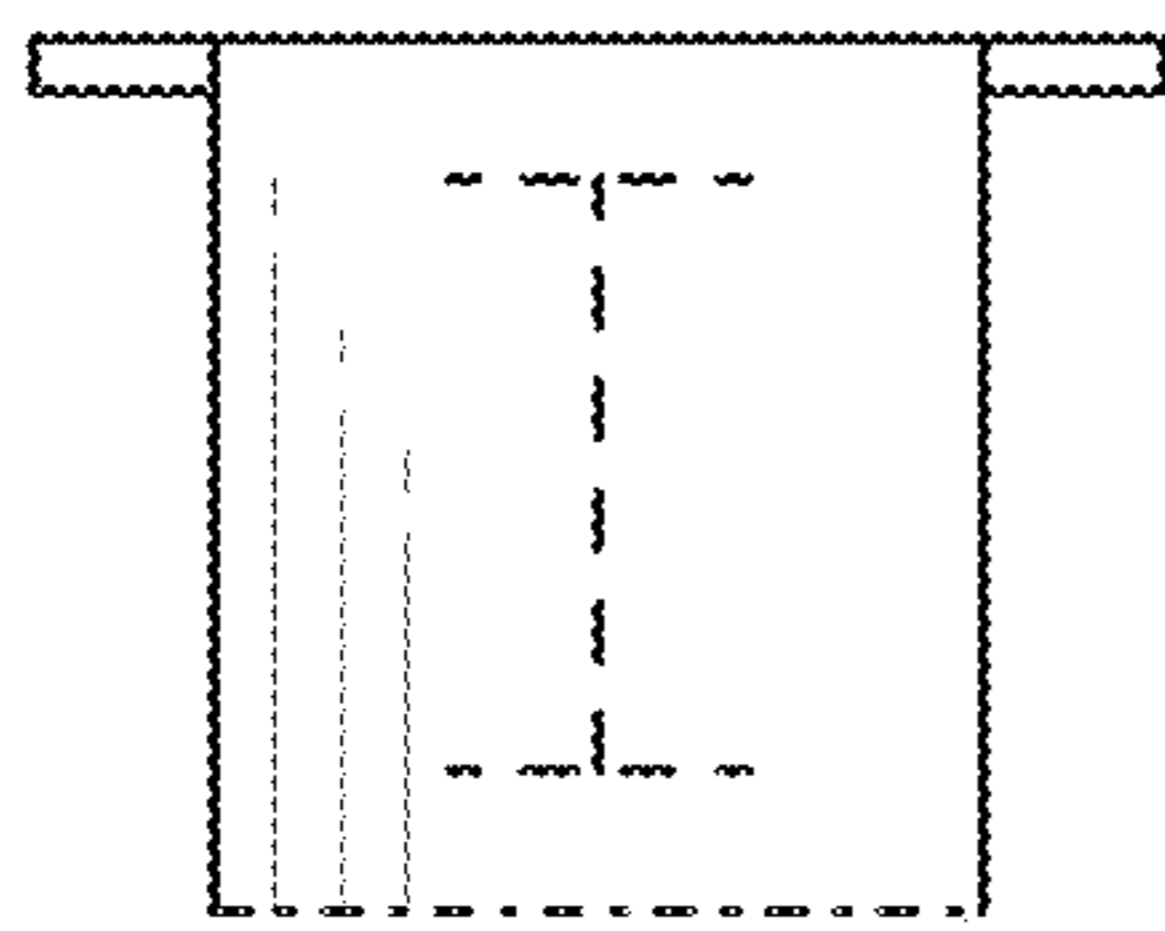


FIG. 5

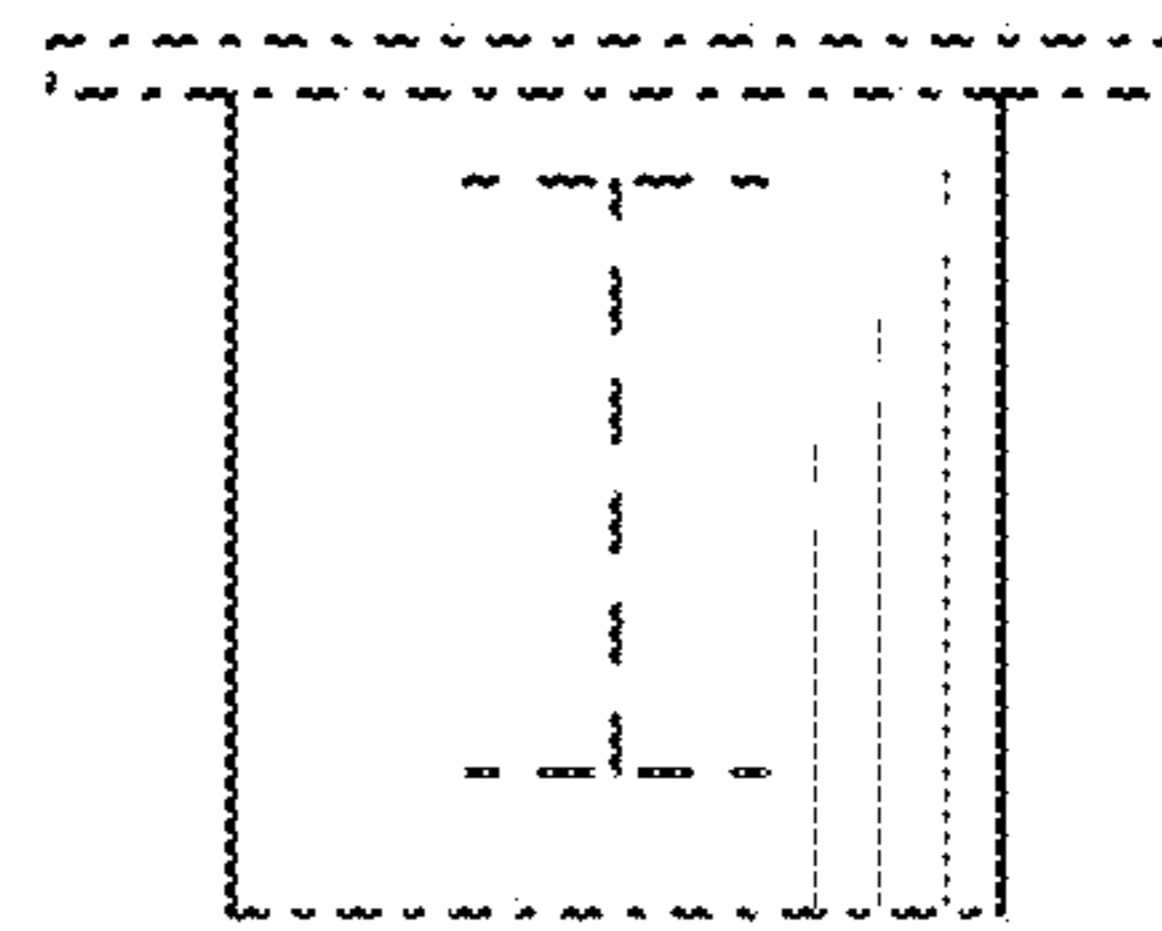


FIG. 6

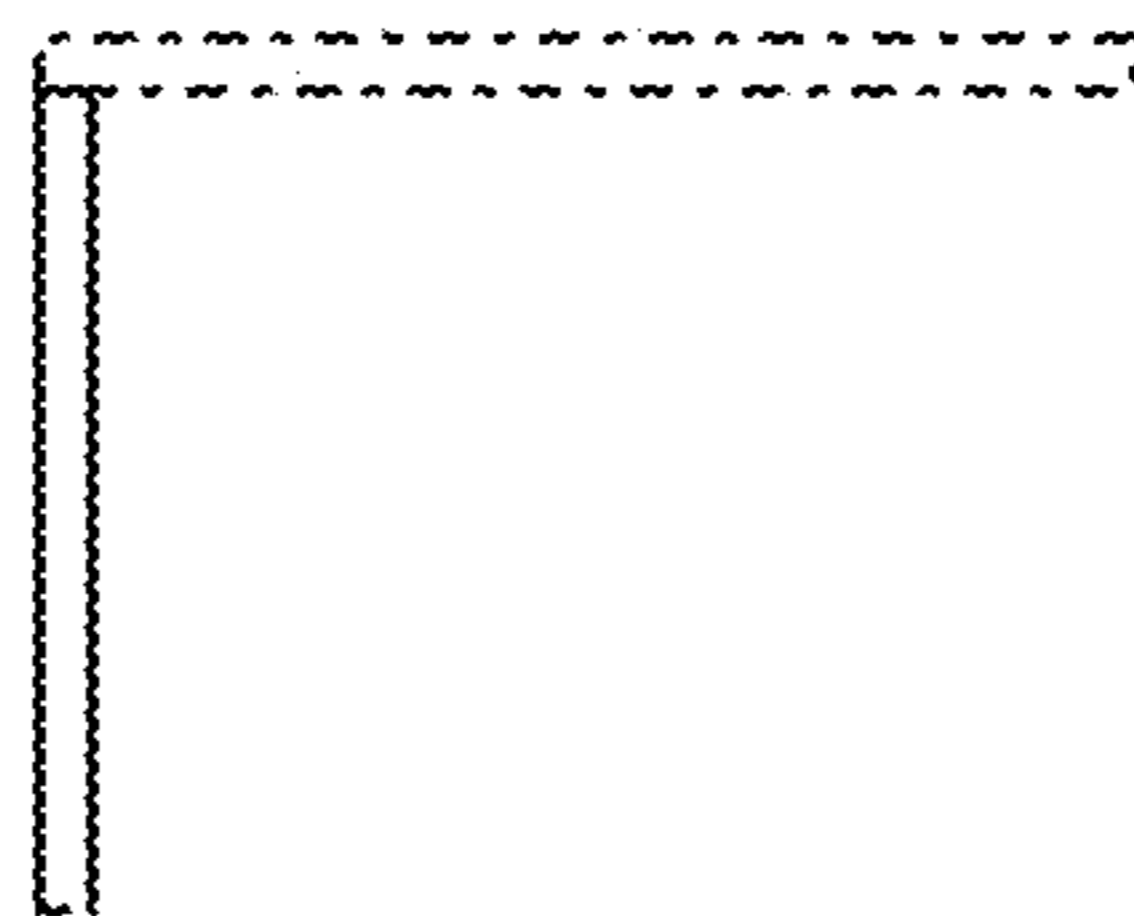


FIG. 7

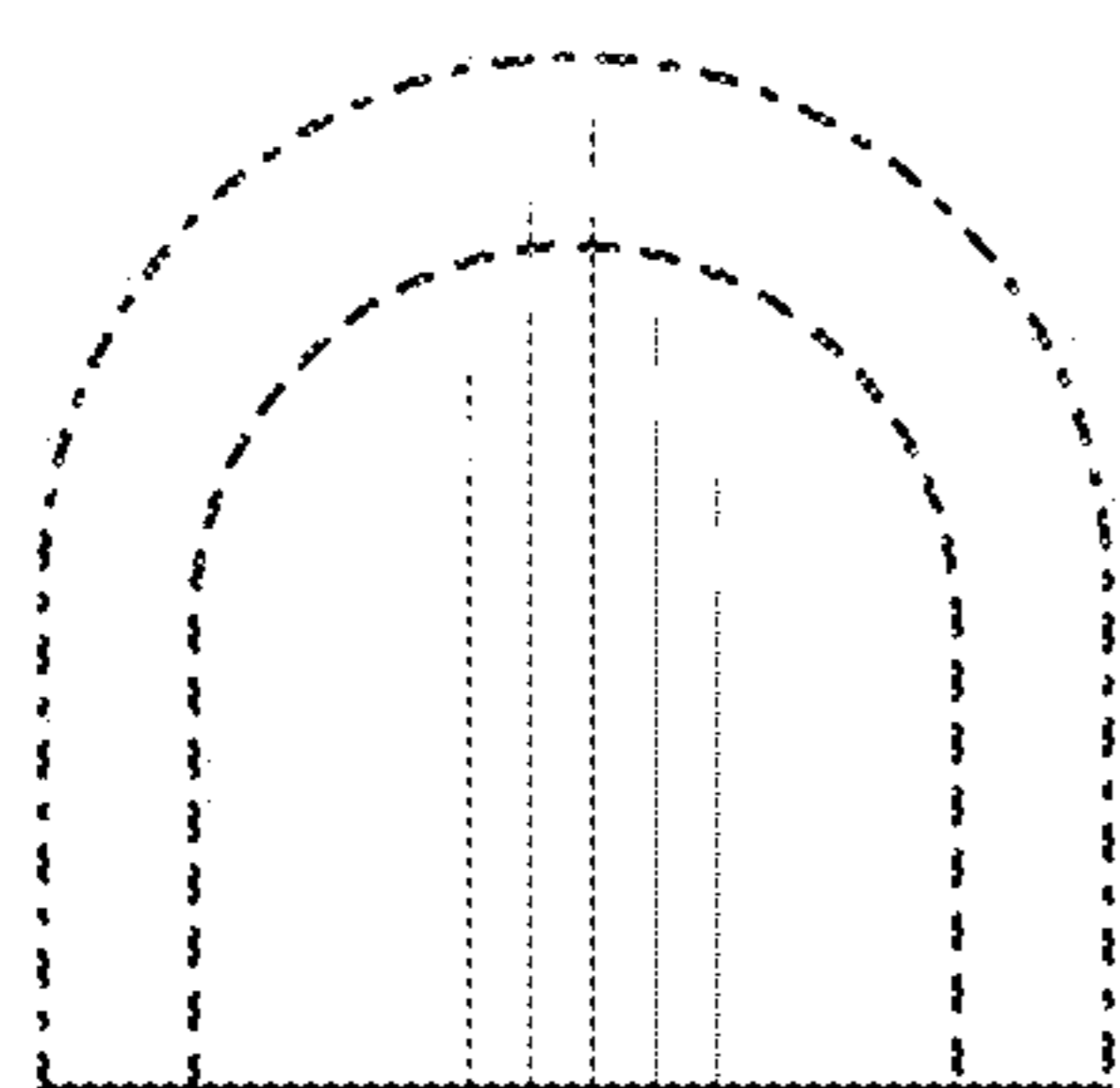


FIG. 8

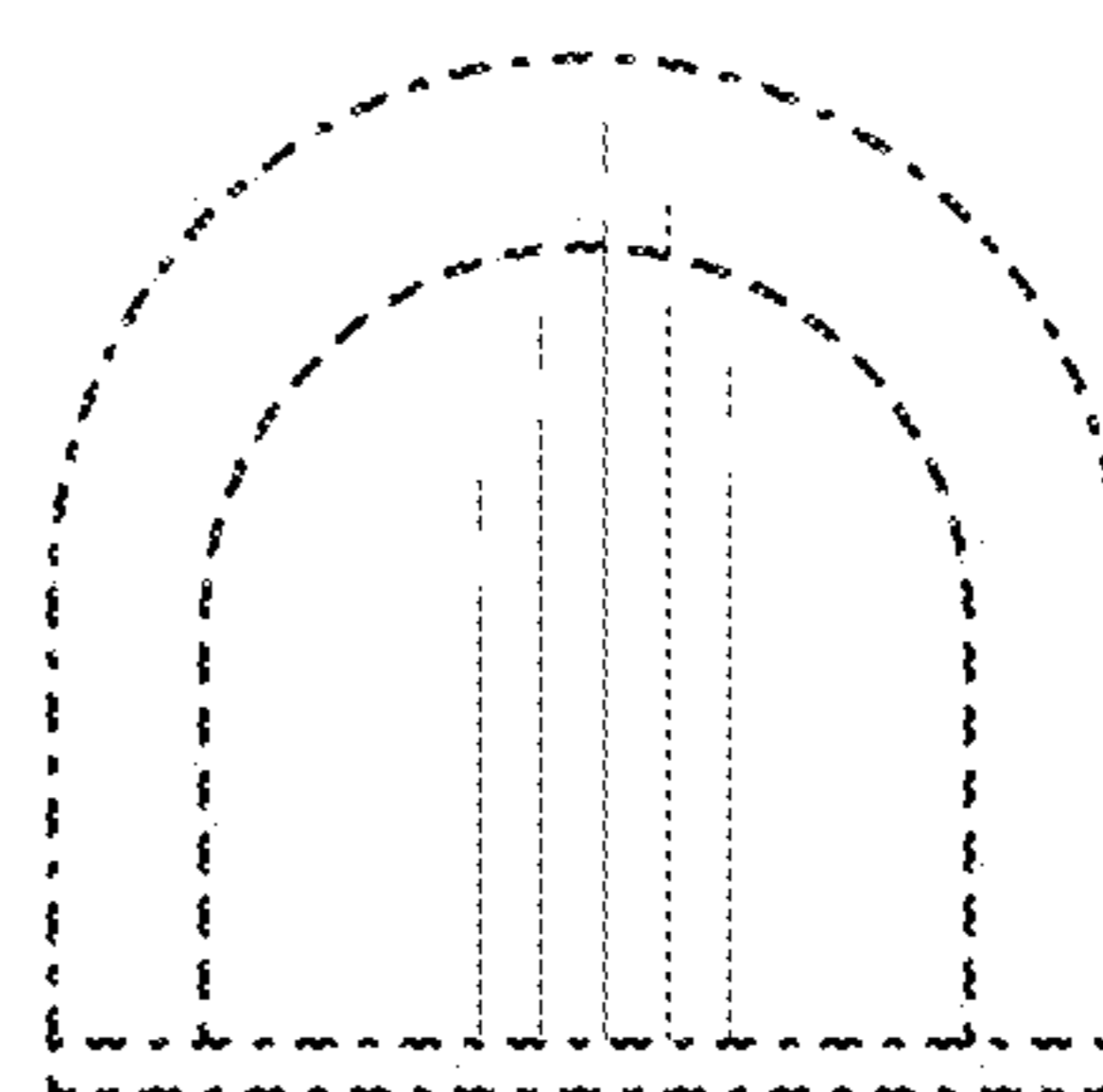


FIG. 9