



US00D951087S

(12) **United States Design Patent**  
**Jung et al.**

(10) **Patent No.:** **US D951,087 S**

(45) **Date of Patent:** **\*\* May 10, 2022**

(54) **EMBROIDERY PACKAGING**

(71) Applicant: **CreateMe Technologies LLC**, New York, NY (US)

(72) Inventors: **Jinhwa Jung**, San Jose, CA (US); **Khamvong Thammassouk**, San Jose, CA (US); **David Matten**, Chicago, IL (US); **Lai Chyan Chow**, San Francisco, CA (US)

(73) Assignee: **CreateMe Technologies LLC**, New York, NY (US)

(\*\*) Term: **15 Years**

(21) Appl. No.: **29/761,865**

(22) Filed: **Dec. 11, 2020**

(51) **LOC (13) Cl.** ..... **09-03**

(52) **U.S. Cl.**

USPC ..... **D9/433**; D9/418; D9/431

(58) **Field of Classification Search**

USPC ..... D9/414, 415, 416, 418, 419, 420, 421, D9/422, 423, 427, 430, 431, 432, 433, D9/734; D3/272, 273

CPC ..... B65D 25/00; B65D 85/00; B65D 25/54; D05C 9/04; D05C 1/04

See application file for complete search history.

(56) **References Cited**

**U.S. PATENT DOCUMENTS**

4,373,649	A *	2/1983	Ninomiya	.....	A63B 65/00
					224/163
D272,806	S *	2/1984	Handy	.....	D9/414
D328,168	S *	7/1992	Bartle	.....	D34/1
D328,508	S *	8/1992	Crutchfield	.....	D34/1
D339,438	S *	9/1993	Moran	.....	D34/1
D349,052	S *	7/1994	Goldstein	.....	D9/418
D373,528	S *	9/1996	Ser Tuen Wei	.....	D9/418
D431,189	S *	9/2000	Komatsu	.....	D9/418

D436,530	S *	1/2001	Stringer	.....	D14/403
D463,976	S *	10/2002	Sipinen	.....	D9/733
D478,194	S *	8/2003	McGinty	.....	D30/160
D494,859	S *	8/2004	Keberlein	.....	D9/416
D514,437	S *	2/2006	Kim	.....	D9/416

(Continued)

**OTHER PUBLICATIONS**

Amazon. Colias Wing 50 pcs Lovely Golden Pineapple Leaves Pattern Pyramid Shape Stylish Design Wedding Birthday Party Favor Candy Boxes with Ribbon. First available Feb. 24, 2018. Visited Jan. 10, 2022. <https://www.amazon.com/Colias-Wing-Marbling-Birthday-Ribbon-Large-White/dp/B07B23F9RB/?th=1> (Year: 2018).\*

(Continued)

*Primary Examiner* — Darcey E Gottschalk

*Assistant Examiner* — Vanessa M. Pursley

(74) *Attorney, Agent, or Firm* — Kilpatrick Townsend & Stockton LLP

(57)

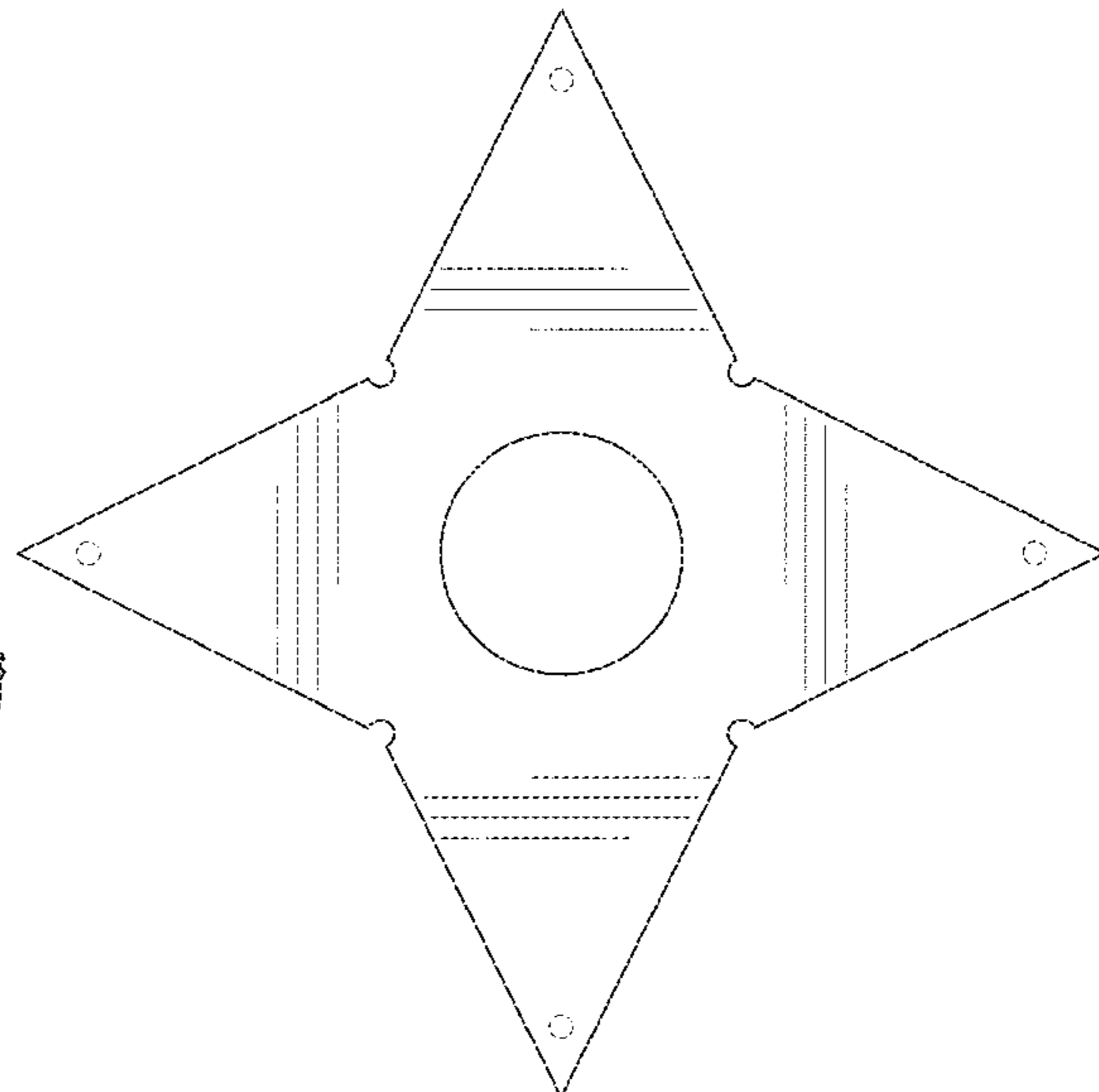
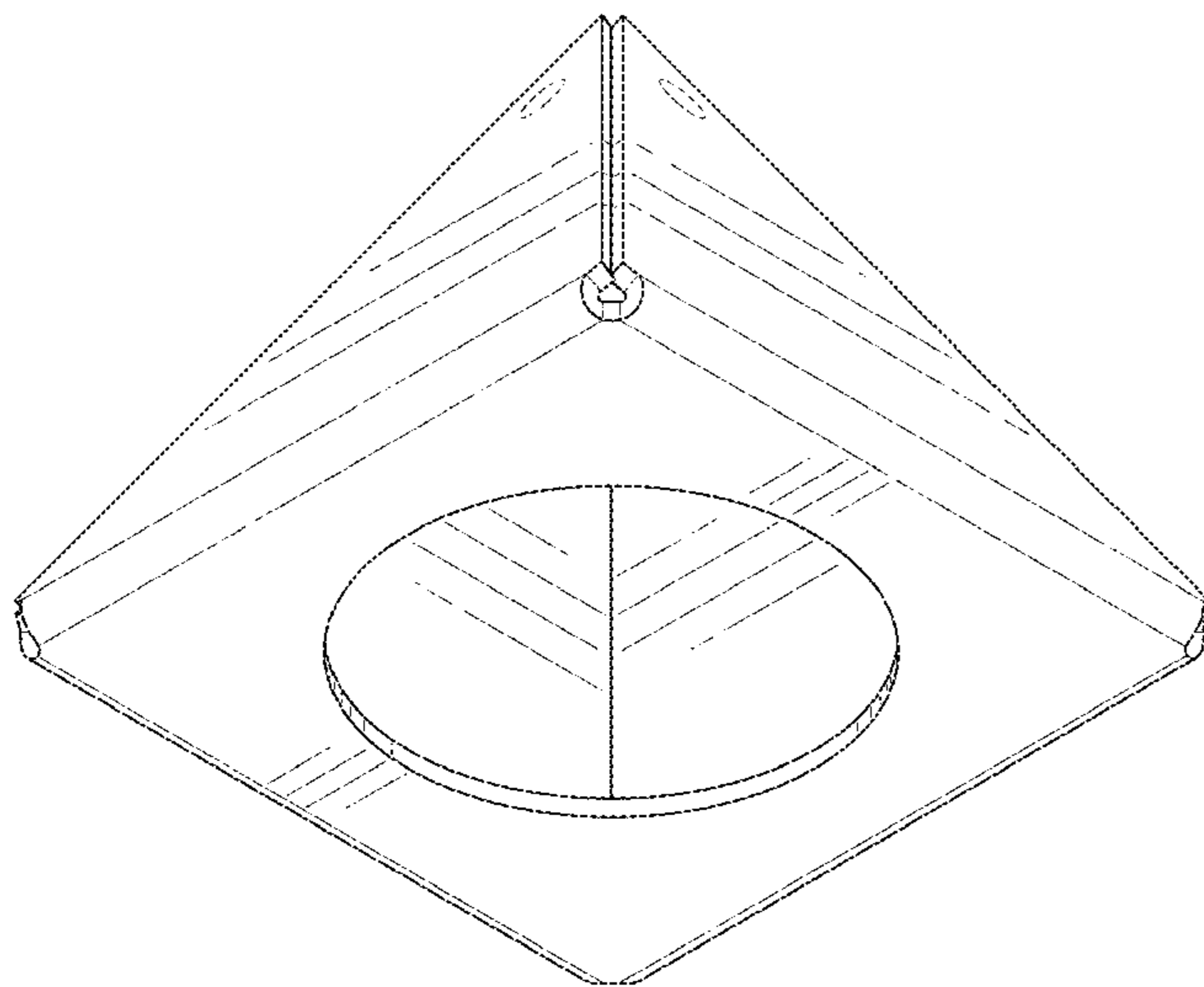
**CLAIM**

The ornamental design for an embroidery packaging, as shown and described.

**DESCRIPTION**

FIG. 1 is a perspective view of an embroidery packaging in an assembled configuration, showing our new design; FIG. 2 is another perspective view thereof; FIG. 3 is a front view thereof; FIG. 4 is a back view thereof; FIG. 5 is a right side view thereof; FIG. 6 is a left side view thereof; FIG. 7 is a top view thereof; FIG. 8 is a bottom view of thereof; and, FIG. 9 is a top view thereof, in an unfolded configuration. Broken lines in the figures show portions of the embroidery packaging which form no part of the claimed design.

**1 Claim, 9 Drawing Sheets**



(56)

**References Cited**

## U.S. PATENT DOCUMENTS

D559,098 S \* 1/2008 Wilbur ..... D9/417  
D567,646 S \* 4/2008 Ballard ..... D9/415  
D591,618 S \* 5/2009 Keberlein ..... D9/414  
D604,603 S \* 11/2009 Kohno ..... D9/418  
D663,198 S \* 7/2012 White ..... D9/430  
D718,149 S \* 11/2014 Glenn ..... D9/734  
D848,595 S \* 5/2019 Nechita ..... D23/366  
D926,565 S \* 8/2021 Beckmann Legorreta .... D9/430  
11,198,963 B1 \* 12/2021 Thammasouk ..... B65D 25/54  
2006/0105666 A1 \* 5/2006 von Oech ..... A63H 33/04  
446/85

## OTHER PUBLICATIONS

Youtube. How to make an easy Triangular box | Christmas gift box.  
Published by CraftShala on Oct. 25, 2017. Visited Jan. 10, 2022.  
<https://www.youtube.com/watch?v=X5pXUInbk8U> (Year: 2017).\*

Emenac Packaging. Corrugated Pyramid Boxes. Publication date  
unavailable. Visited Jan. 10, 2022. <https://www.emenacpackaging.com/product-description/corrugated-pyramid-boxes/> (Year: 0).\*

Sassafras. Technique Tuesday with Marla. Published Apr. 12, 2011.  
Visited Jan. 10, 2022. <https://sassafras.typepad.com/sassafras/2011/04/technique-tuesday-with-marla.html> (Year: 2011).\*

\* cited by examiner

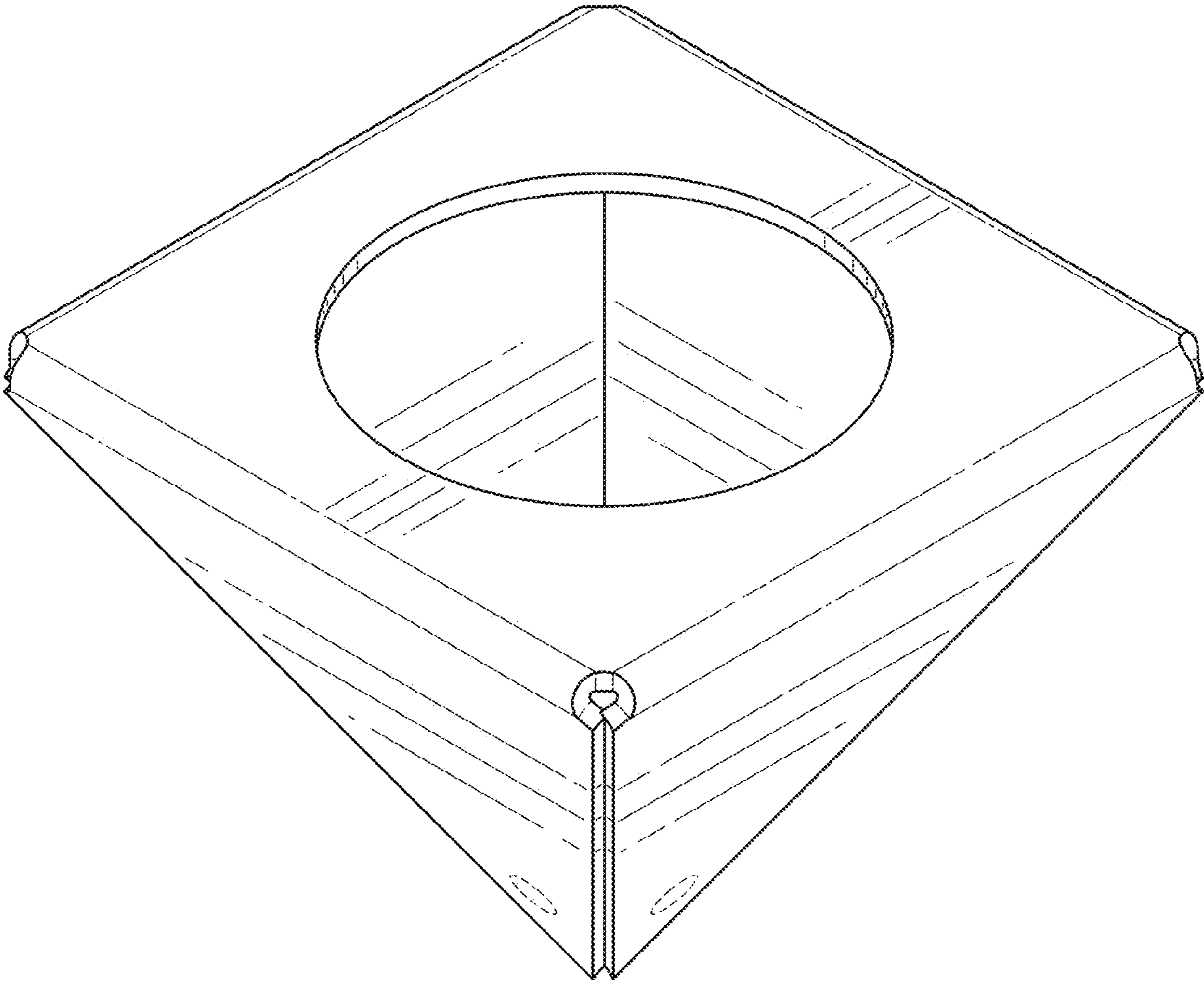


FIG. 1

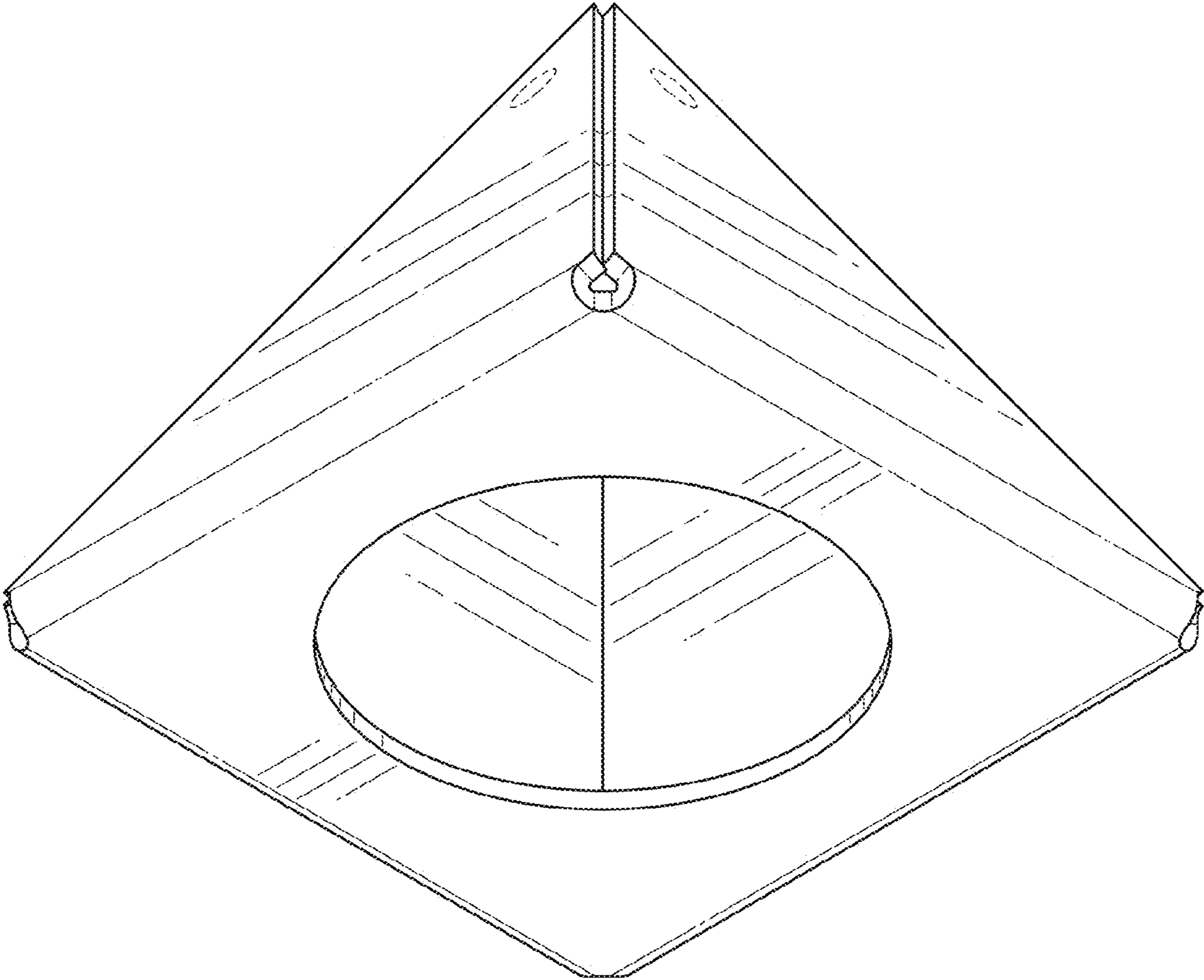


FIG. 2

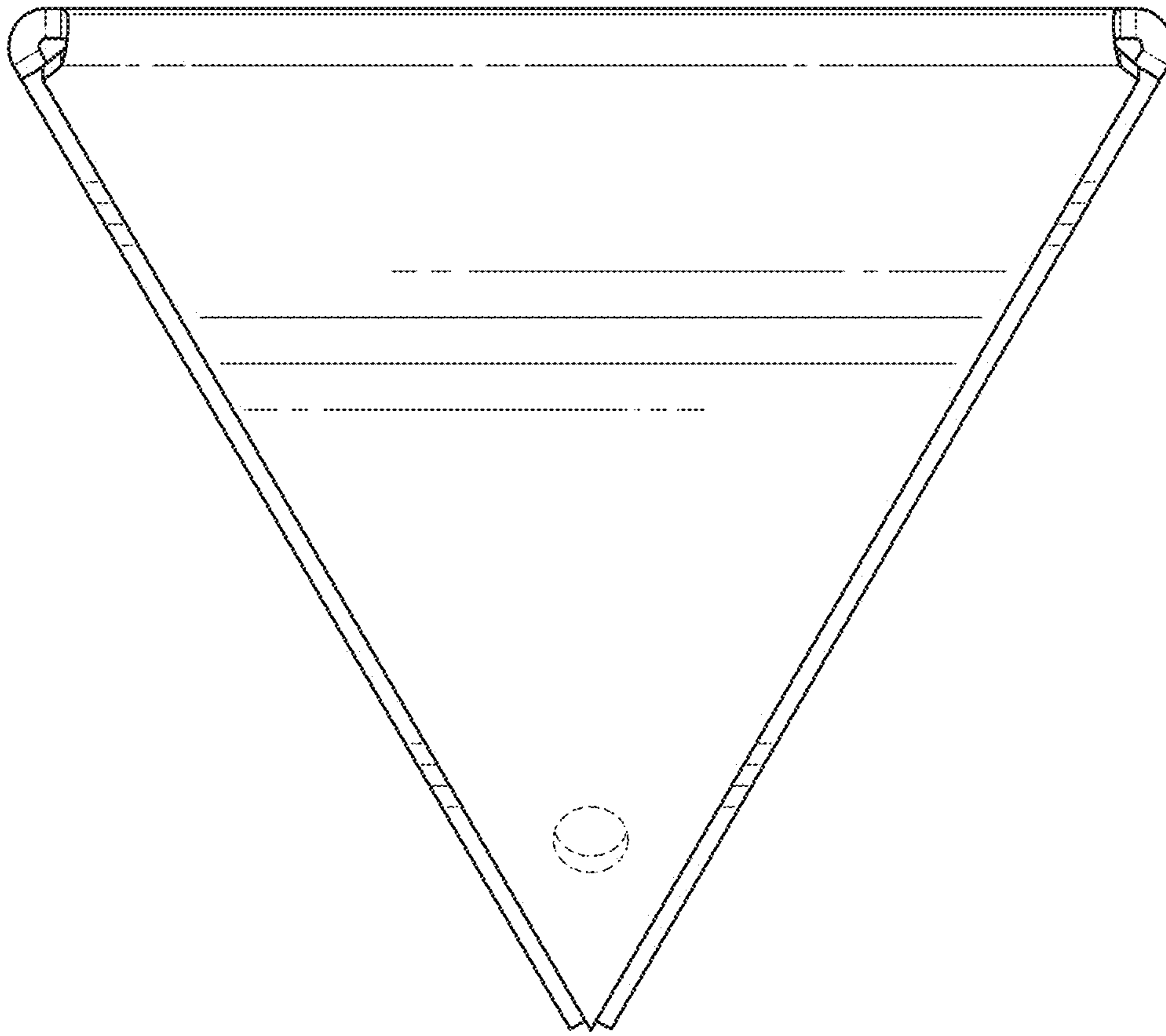


FIG. 3

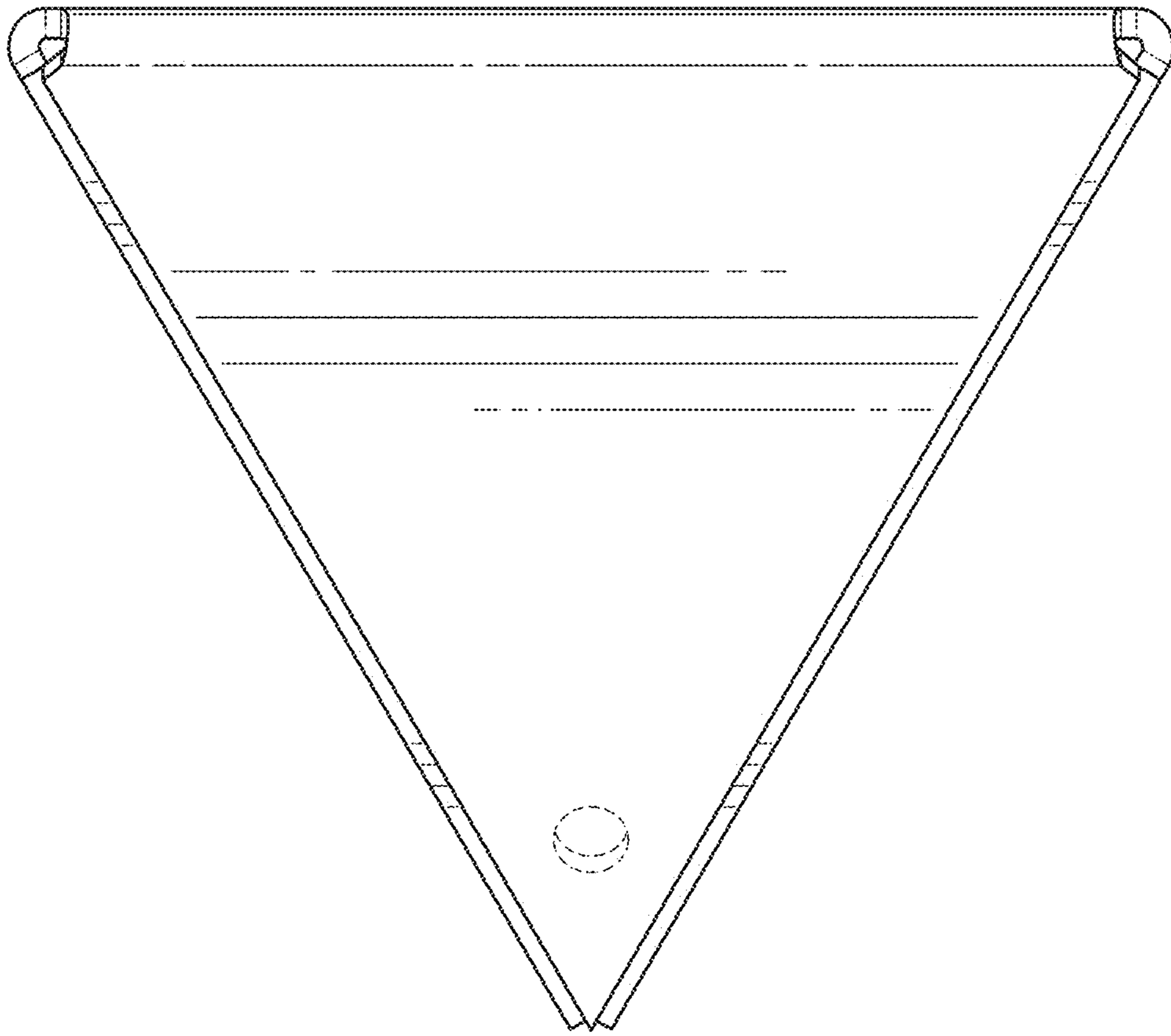


FIG. 4

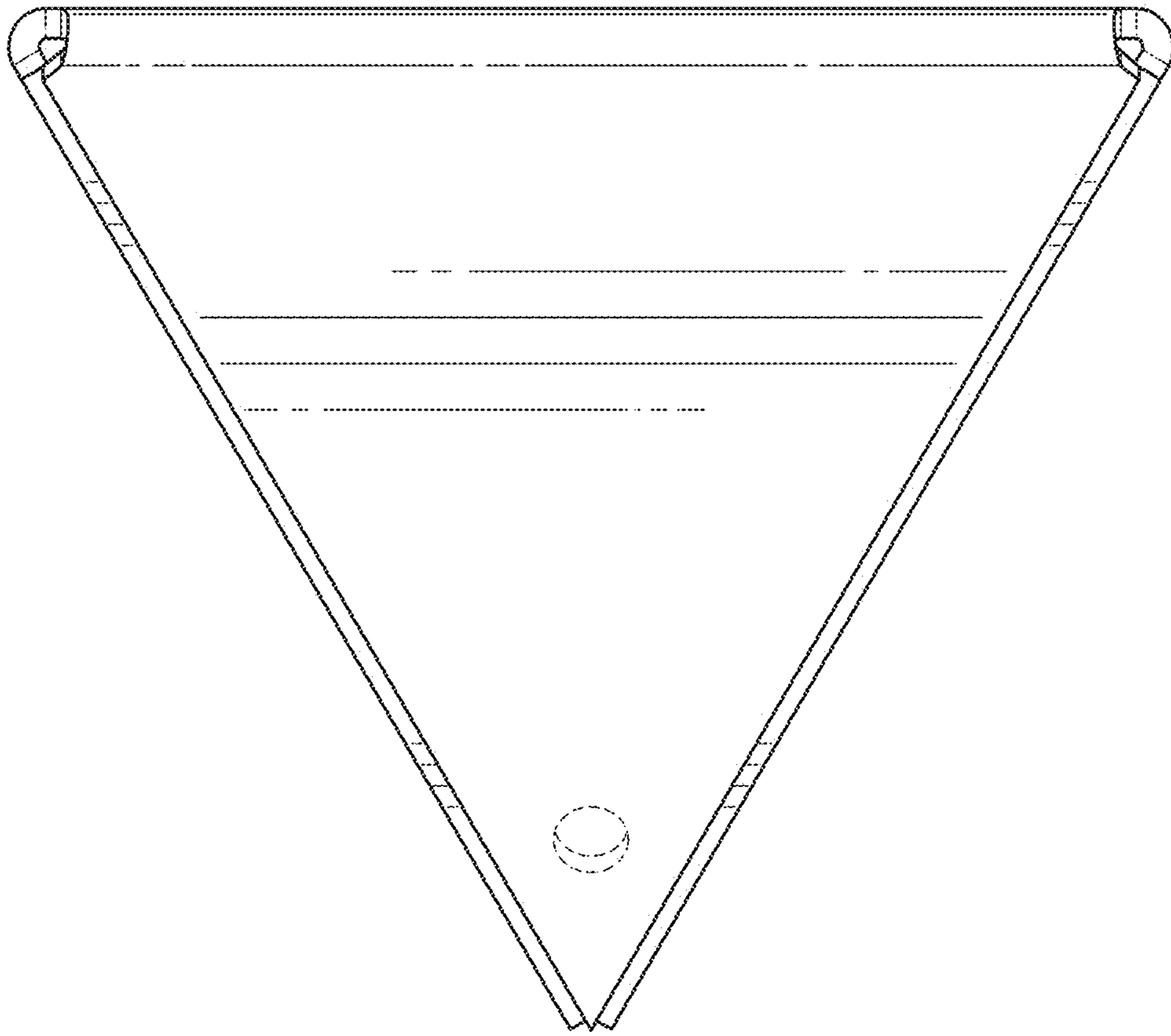


FIG. 5

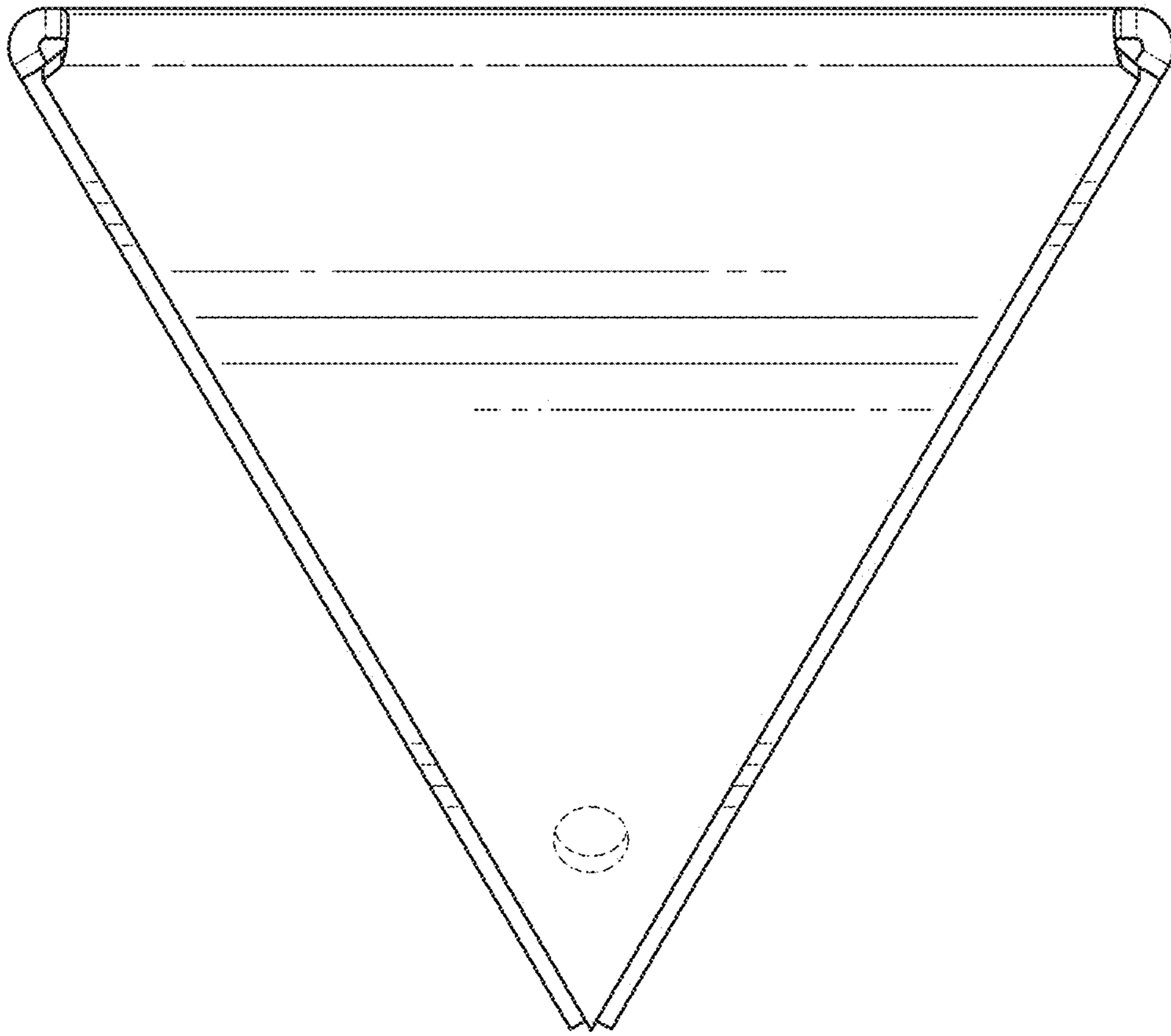


FIG. 6



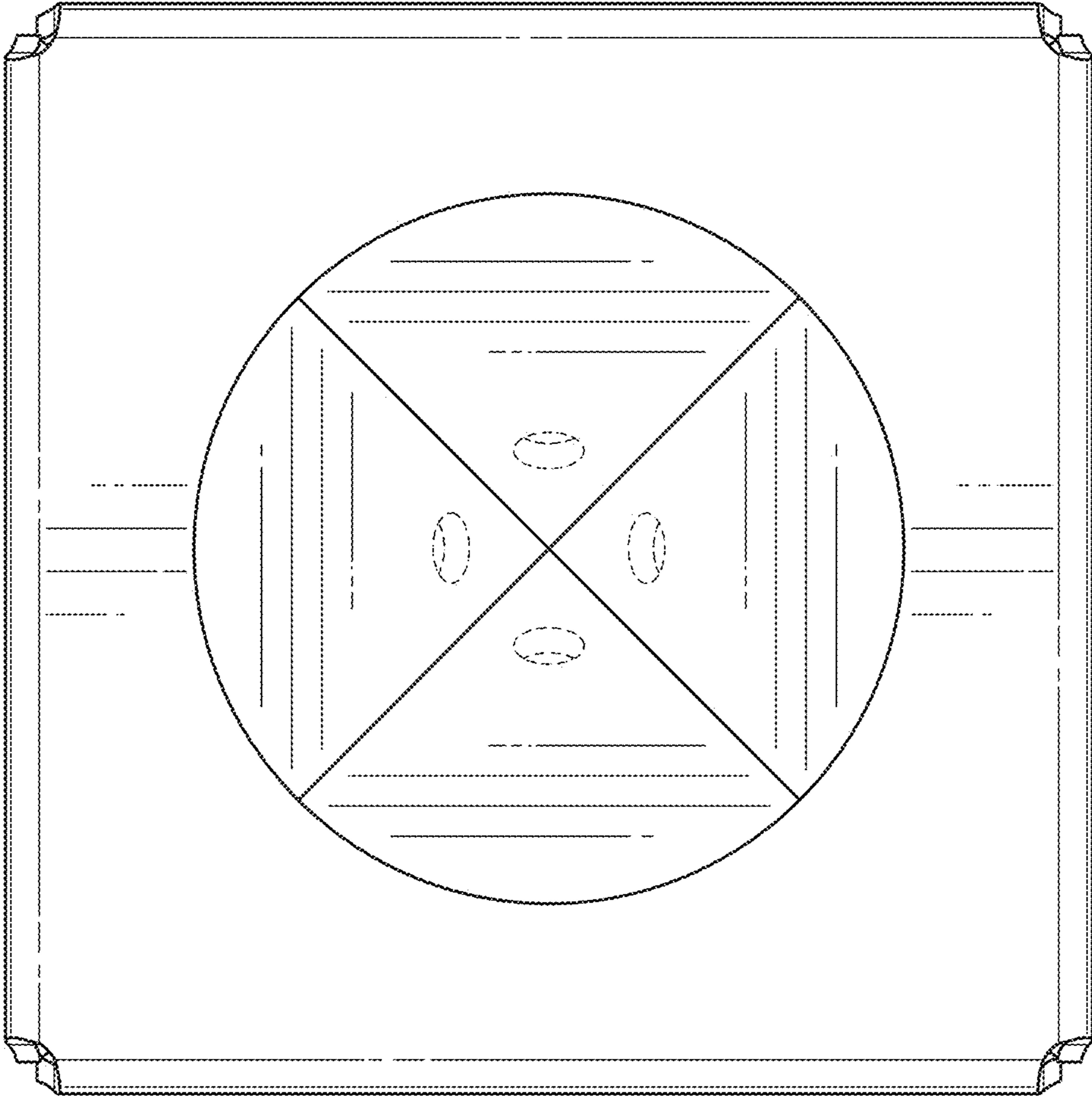


FIG. 7

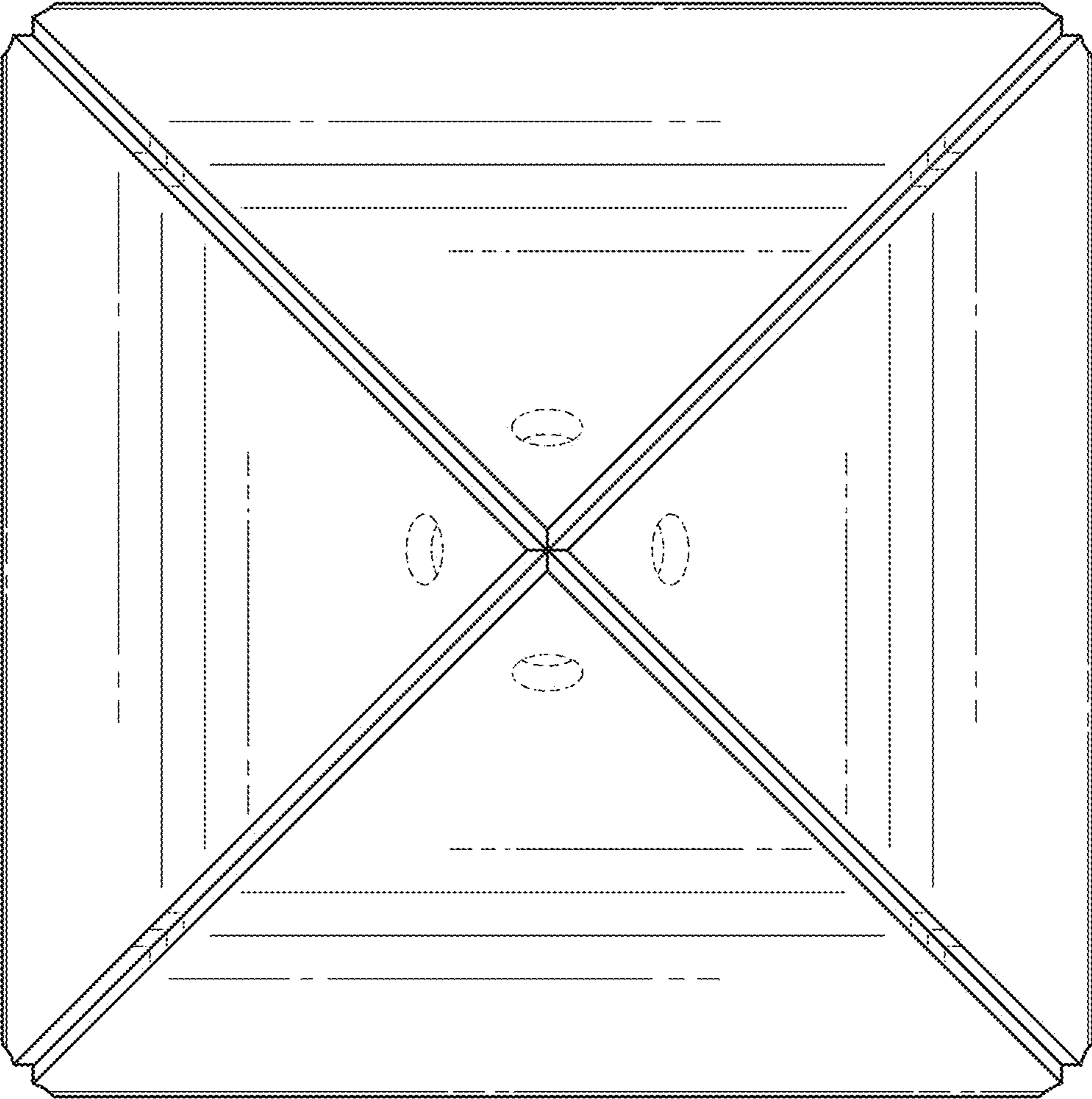


FIG. 8

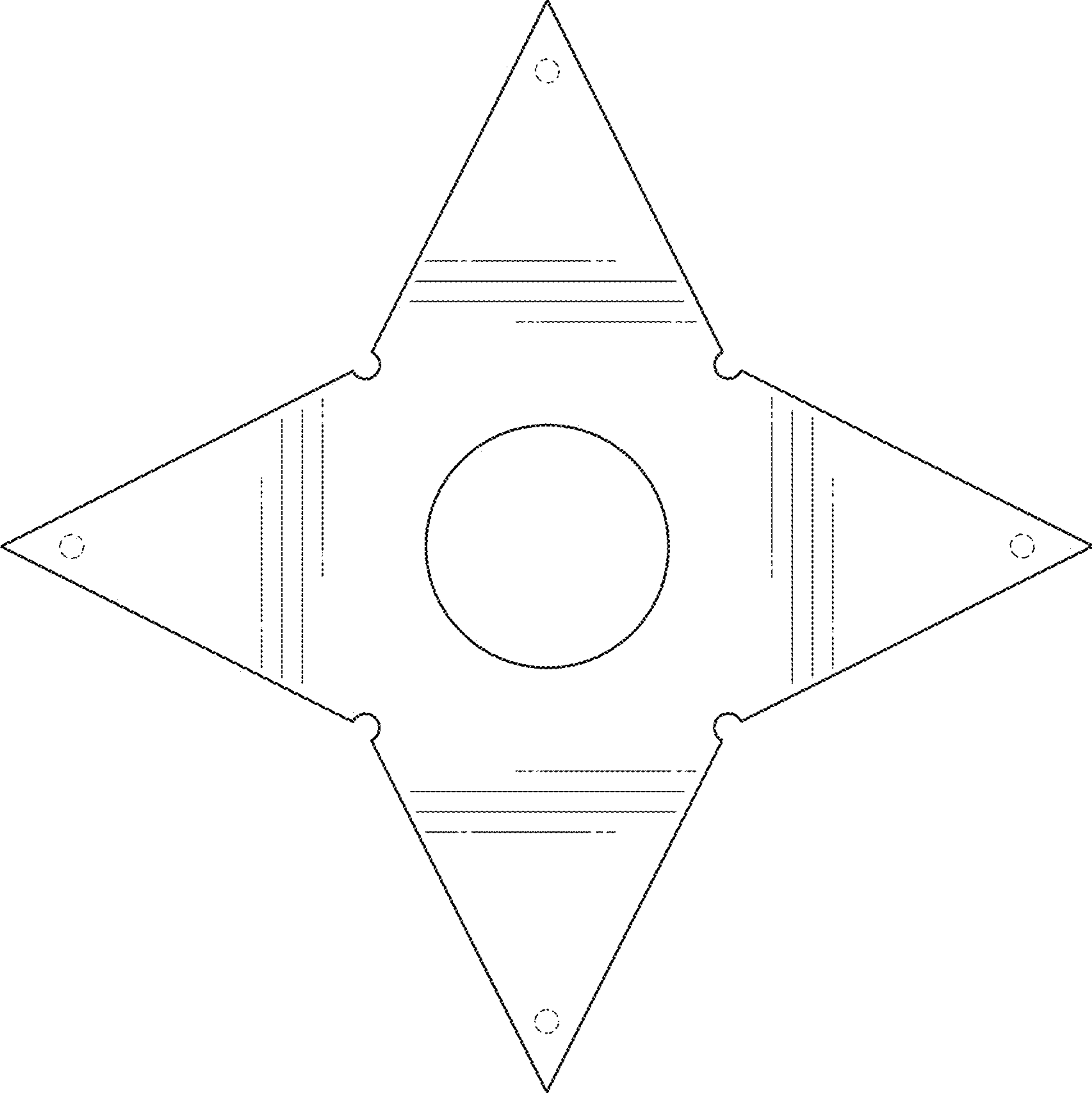


FIG. 9