



US00D951084S

(12) **United States Design Patent**
Pan

(10) **Patent No.:** **US D951,084 S**

(45) **Date of Patent:** **** May 10, 2022**

(54) **CAKE CONTAINER**

(71) Applicant: **Liling Pan**, Fujian (CN)

(72) Inventor: **Liling Pan**, Fujian (CN)

(**) Term: **15 Years**

(21) Appl. No.: **29/778,705**

(22) Filed: **Apr. 14, 2021**

(51) **LOC (13) Cl.** **09-03**

(52) **U.S. Cl.**
USPC **D9/428**

(58) **Field of Classification Search**
USPC D7/400, 601, 608; D9/416, 417, 420,
D9/425-429, 430, 432, 761
CPC . B65D 1/26; B65D 1/40; B65D 5/243; B65D
81/3453; B65D 2581/34; B65D
2581/3404; B65D 2581/3456
See application file for complete search history.

(56) **References Cited**

U.S. PATENT DOCUMENTS

D436,532 S *	1/2001	Richardson	D24/104
D452,373 S *	12/2001	Horntrich	A61J 17/113
				D3/294
D489,004 S *	4/2004	Parman	D9/425
D506,926 S *	7/2005	Halliday	D9/416
D507,154 S	7/2005	Kim		
D520,357 S *	5/2006	Terrasi	D9/428
D529,345 S	10/2006	Kim		
D618,547 S *	6/2010	Manning	D9/425

D651,096 S *	12/2011	Nakagiri	D9/503
D695,615 S *	12/2013	Rapparini	D9/500
D827,976 S *	9/2018	Allio	D1/130
D893,293 S *	8/2020	Fedorak	D9/428
D913,801 S *	3/2021	Mastronardi	D9/668
D925,353 S *	7/2021	De Silva	D9/428

* cited by examiner

Primary Examiner — Janice Patyk

(74) *Attorney, Agent, or Firm* — ScienBiziP, P.C.

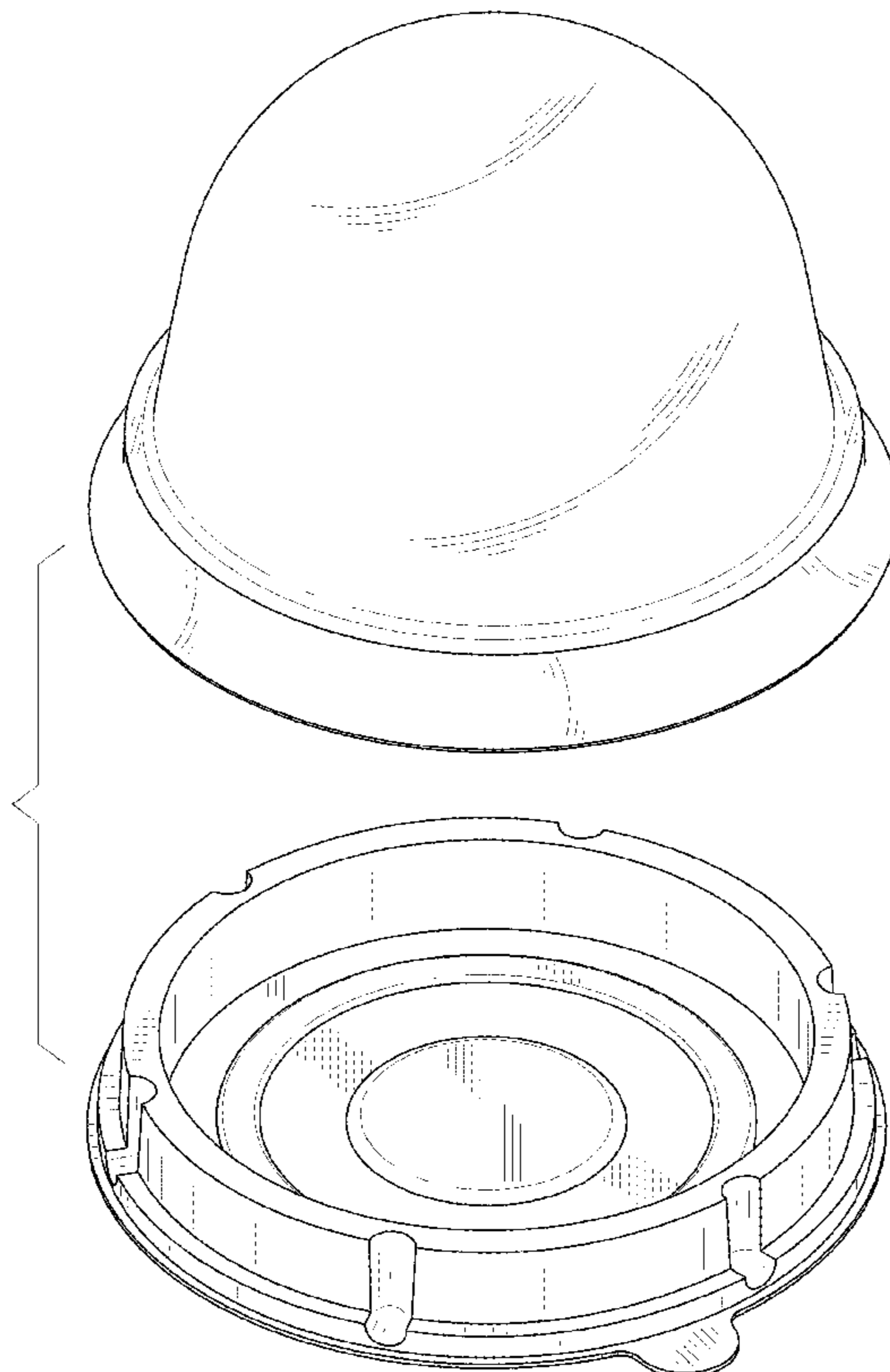
(57) **CLAIM**

The ornamental design for a cake container, as shown and described.

DESCRIPTION

FIG. 1 is a top, front, right side perspective view of a cake container, showing my new design.
 FIG. 2 is a front elevation view thereof.
 FIG. 3 is a rear elevation view thereof.
 FIG. 4 is a left side elevation view thereof.
 FIG. 5 is a right side elevation view thereof.
 FIG. 6 is a top plan view thereof.
 FIG. 7 is a bottom plan view thereof; and,
 FIG. 8 is an exploded top, front, right side perspective view thereof.
 The broken lines in the drawings depict portions of the cake container that form no part of the claimed design.

1 Claim, 8 Drawing Sheets



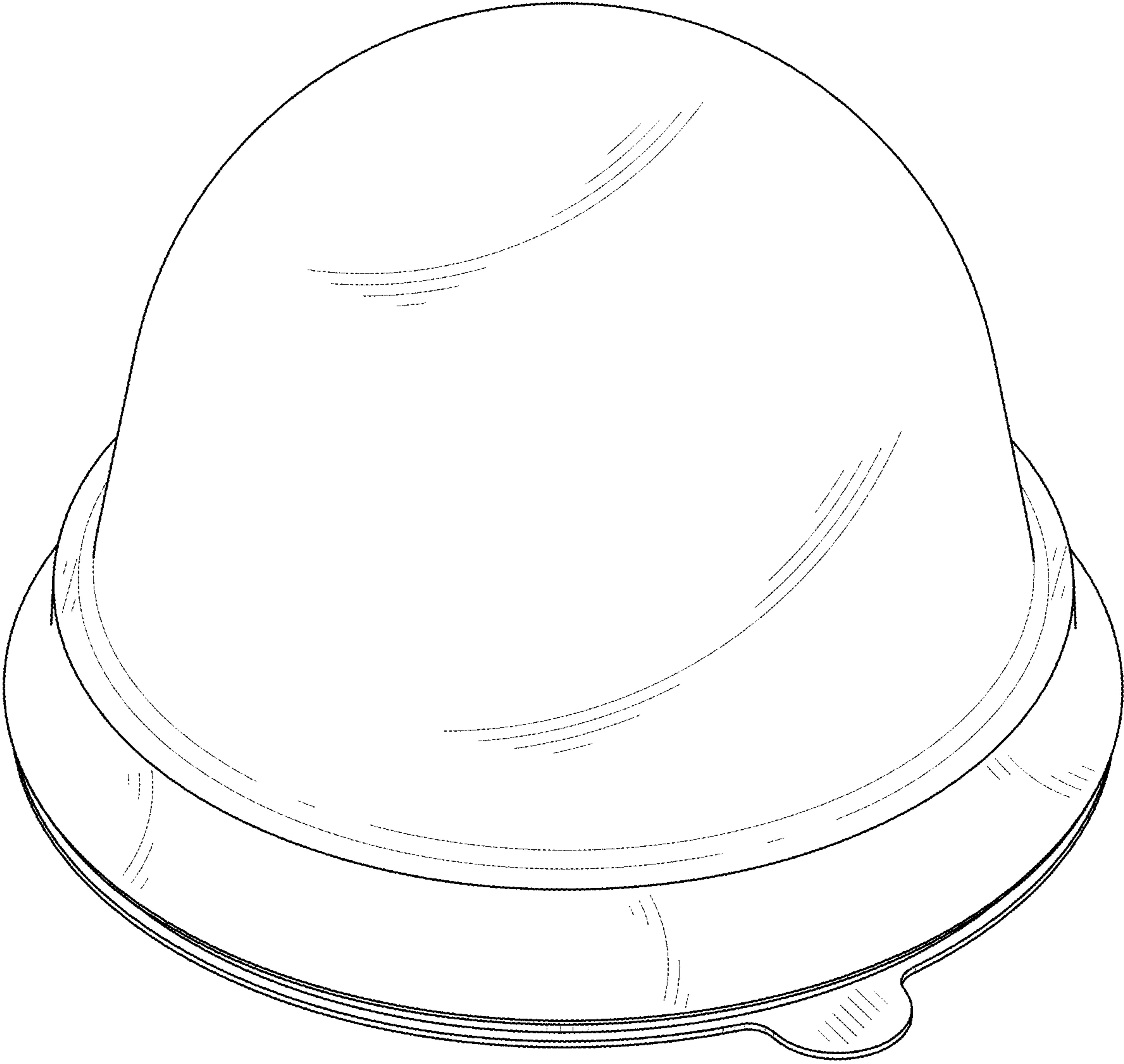


FIG. 1

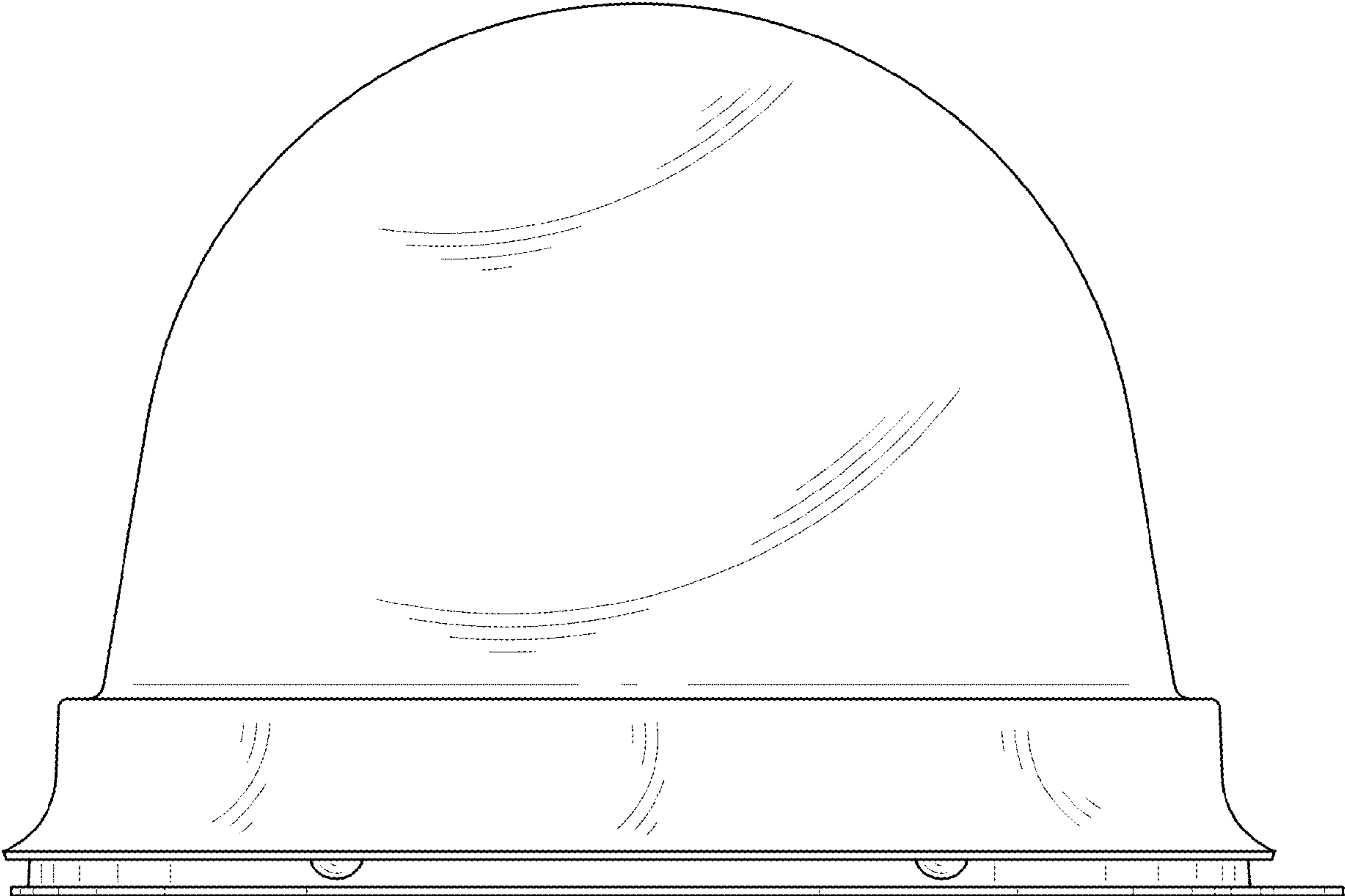


FIG. 2

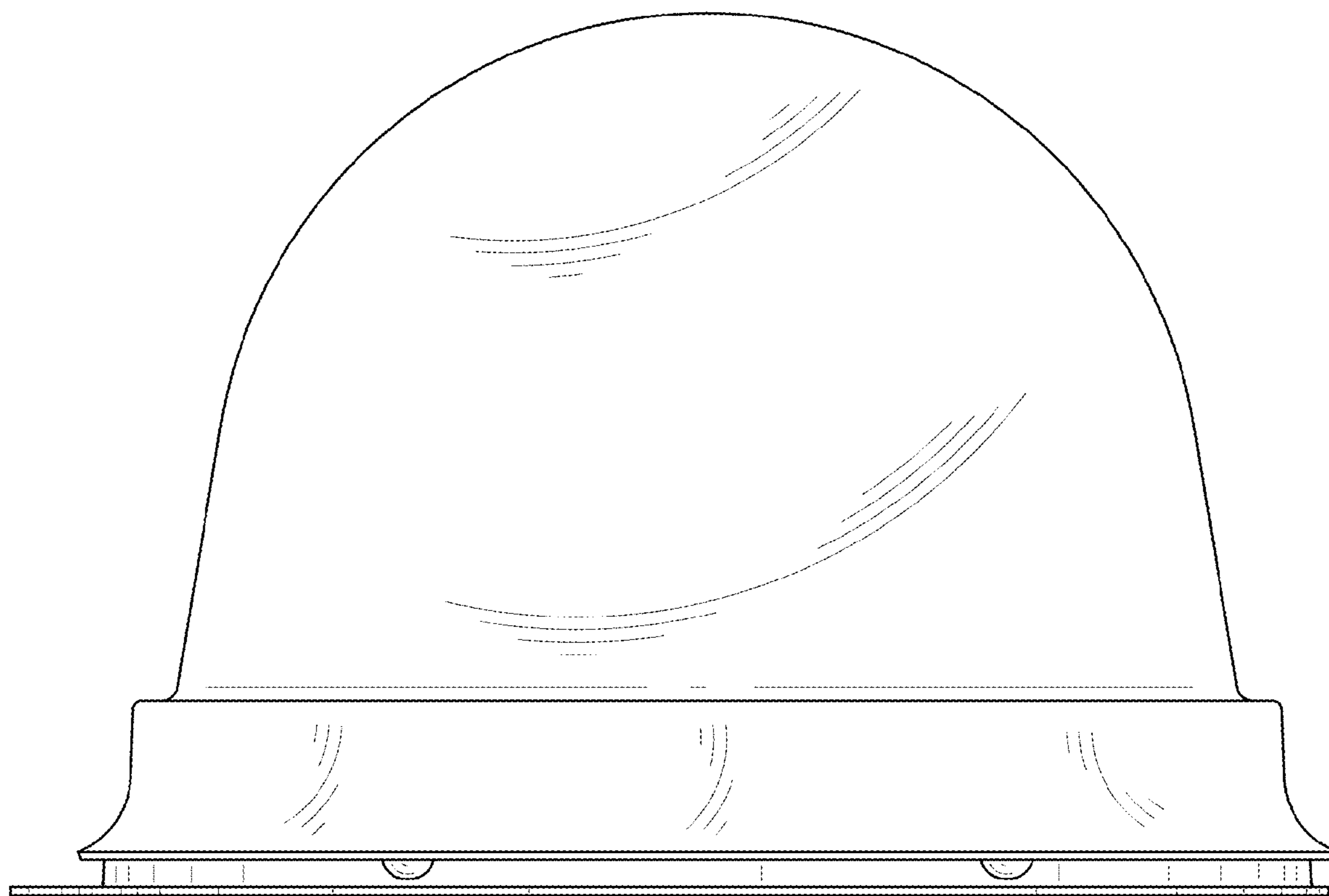


FIG. 3

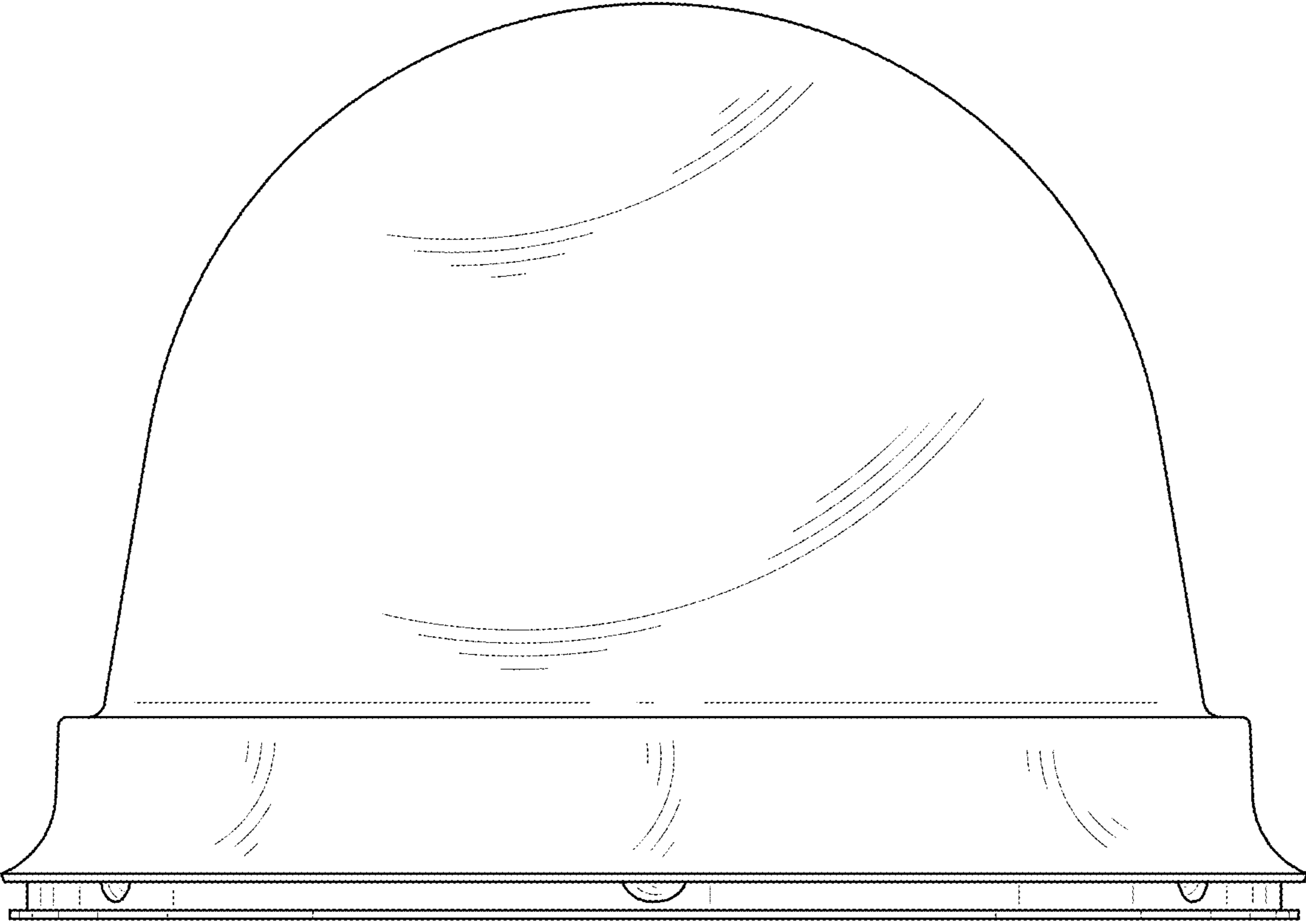


FIG. 4

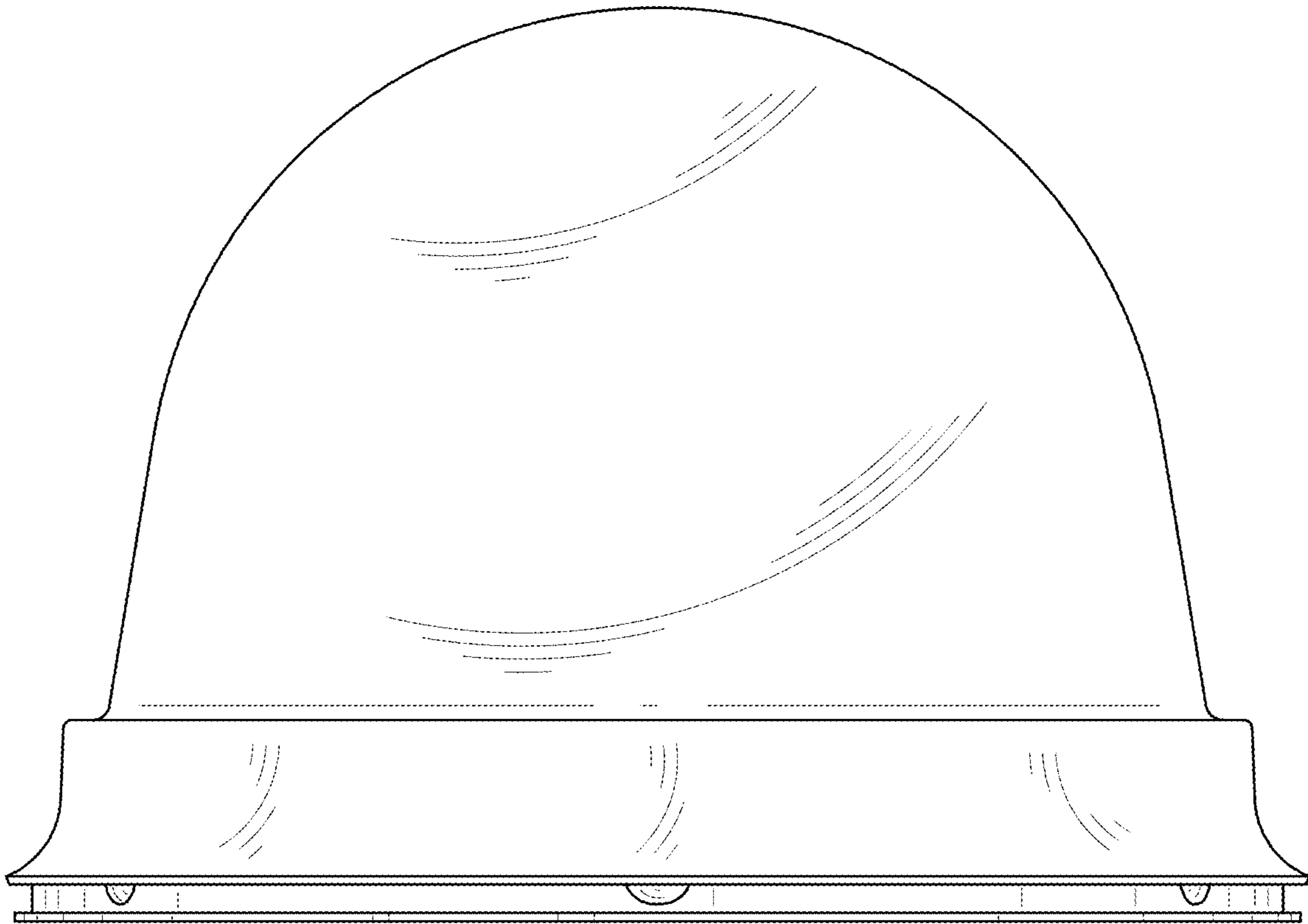


FIG. 5

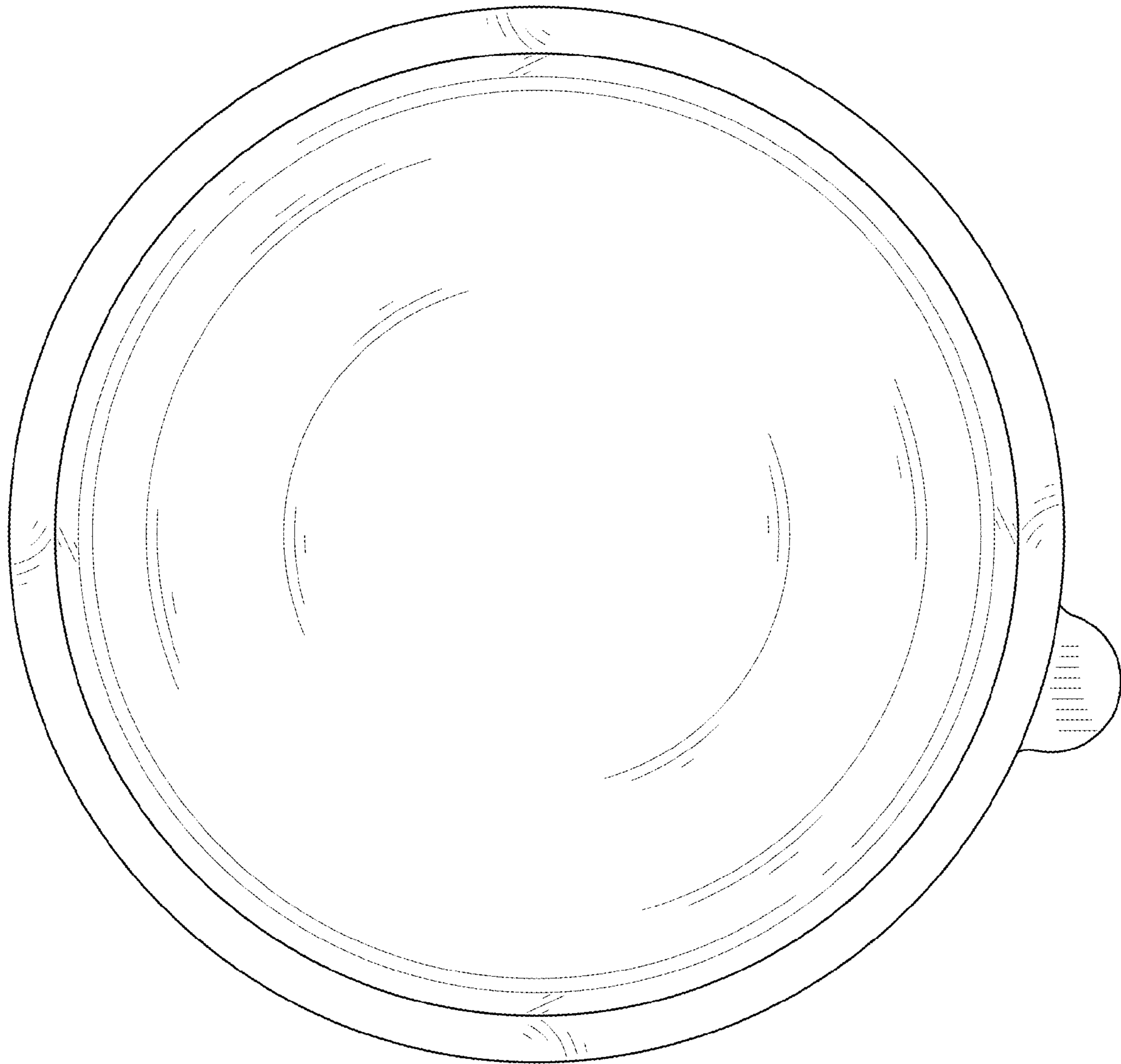


FIG. 6

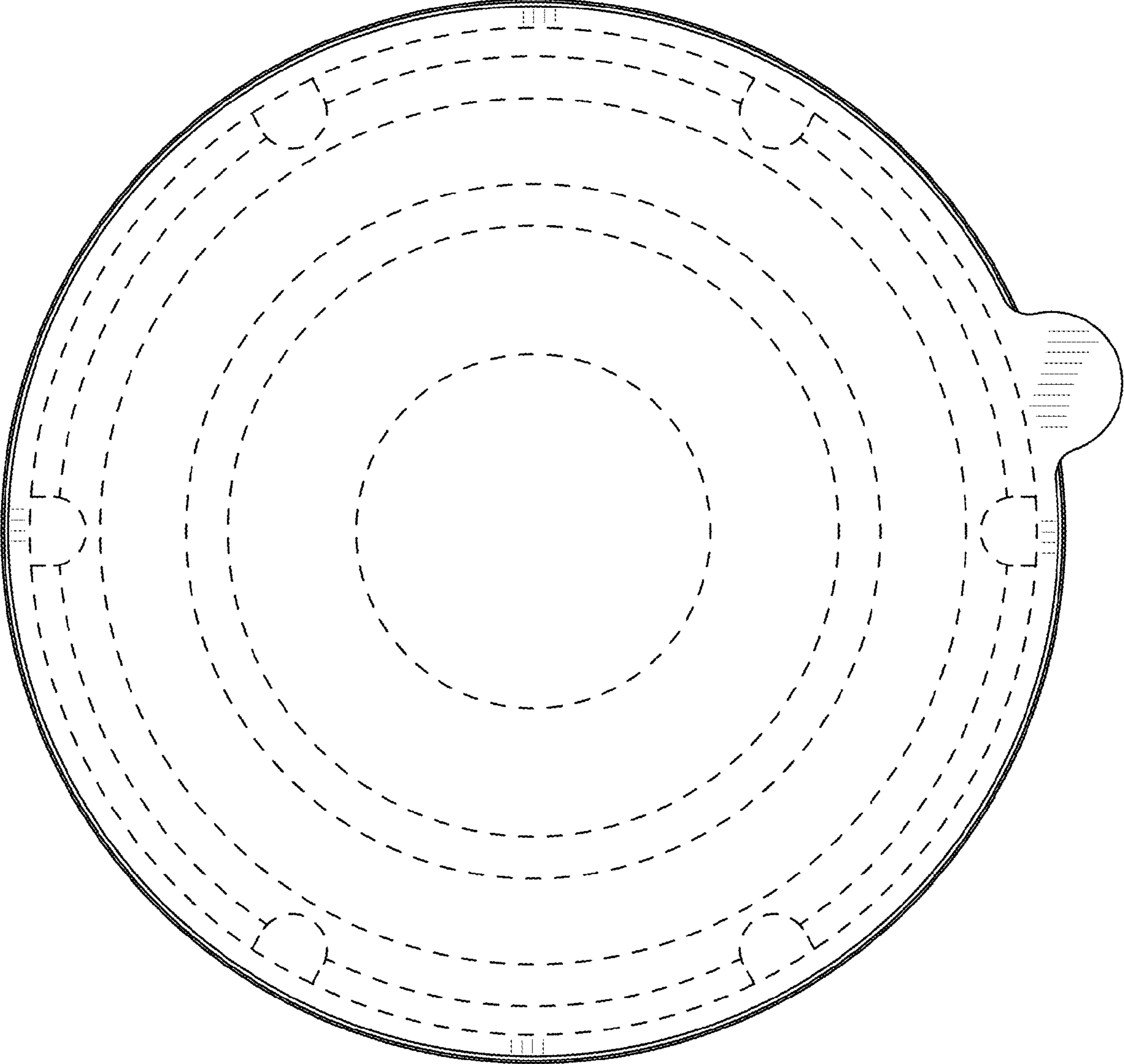


FIG. 7

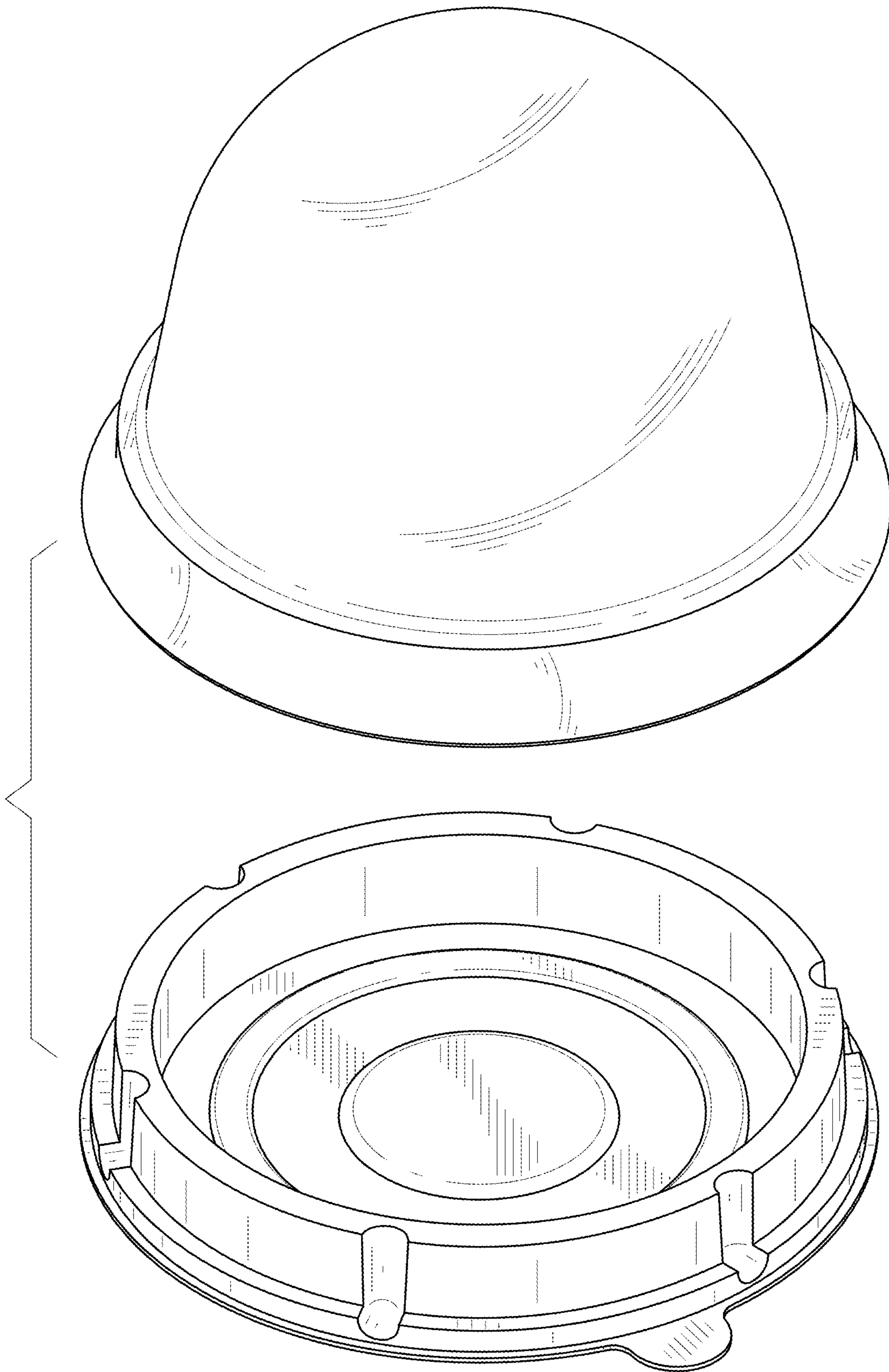


FIG. 8