



US00D951082S

(12) **United States Design Patent** (10) **Patent No.:** **US D951,082 S**
Langenwalter et al. (45) **Date of Patent:** **** May 10, 2022**

(54) **SMOOTH INCURVATE CONNECTOR**

(71) Applicant: **ORIGIN POINT BRANDS, LLC,**
North Charleston, SC (US)

(72) Inventors: **Duane E Langenwalter,** Monroe, CT
(US); **Ning Xue,** Newtown, CT (US)

(73) Assignee: **ORIGIN POINT BRANDS, LLC,**
Summerville, SC (US)

(**) Term: **15 Years**

(21) Appl. No.: **29/738,148**

(22) Filed: **Jun. 15, 2020**

(51) **LOC (13) Cl.** **08-08**

(52) **U.S. Cl.**
USPC **D8/396**

(58) **Field of Classification Search**
USPC D8/396, 394, 371, 354, 366, 382
CPC . E04H 17/185; E04H 17/1473; E04H 17/013;
E04H 17/143; E04H 17/1439; E04H
17/166; E04H 17/22

See application file for complete search history.

(56) **References Cited**

U.S. PATENT DOCUMENTS

807 A	9/1859	Jenkins
133,117 A	11/1872	Philippi
207,518 A	8/1878	Hayden
235,113 A	12/1880	Young
284,687 A	9/1883	Tunica
336,405 A	2/1886	Ginther
197,806 A	12/1887	Walter
383,296 A	5/1888	Husselman
415,382 A	11/1889	Darnell
563,042 A	6/1896	Le Flamboy
803,741 A	11/1905	Carlson
932,355 A	8/1909	Thrasher
1,426,215 A	8/1922	Ravert
2,074,688 A	3/1937	Friend

2,315,516 A	4/1943	Gray	
2,484,413 A	10/1949	Kouril	
2,581,318 A	1/1952	Bartlett	
2,622,848 A	12/1952	Campbell	
2,651,502 A	9/1953	Carvelo	
2,709,073 A	5/1955	Dougherty	
2,935,303 A	5/1960	Royer	
2,937,727 A	5/1960	Kaczmarek	
3,092,407 A *	6/1963	Blonder	F16B 7/048
			403/191
D200,198 S *	2/1965	Vilcins	D8/383
3,484,081 A	12/1969	Rowan	

(Continued)

FOREIGN PATENT DOCUMENTS

AU	10797410	3/2004
CA	2176582	5/1995

(Continued)

Primary Examiner — Sandra Snapp
Assistant Examiner — Ieisha N Price

(74) *Attorney, Agent, or Firm* — Parker Poe Adams & Bernstein, LLP

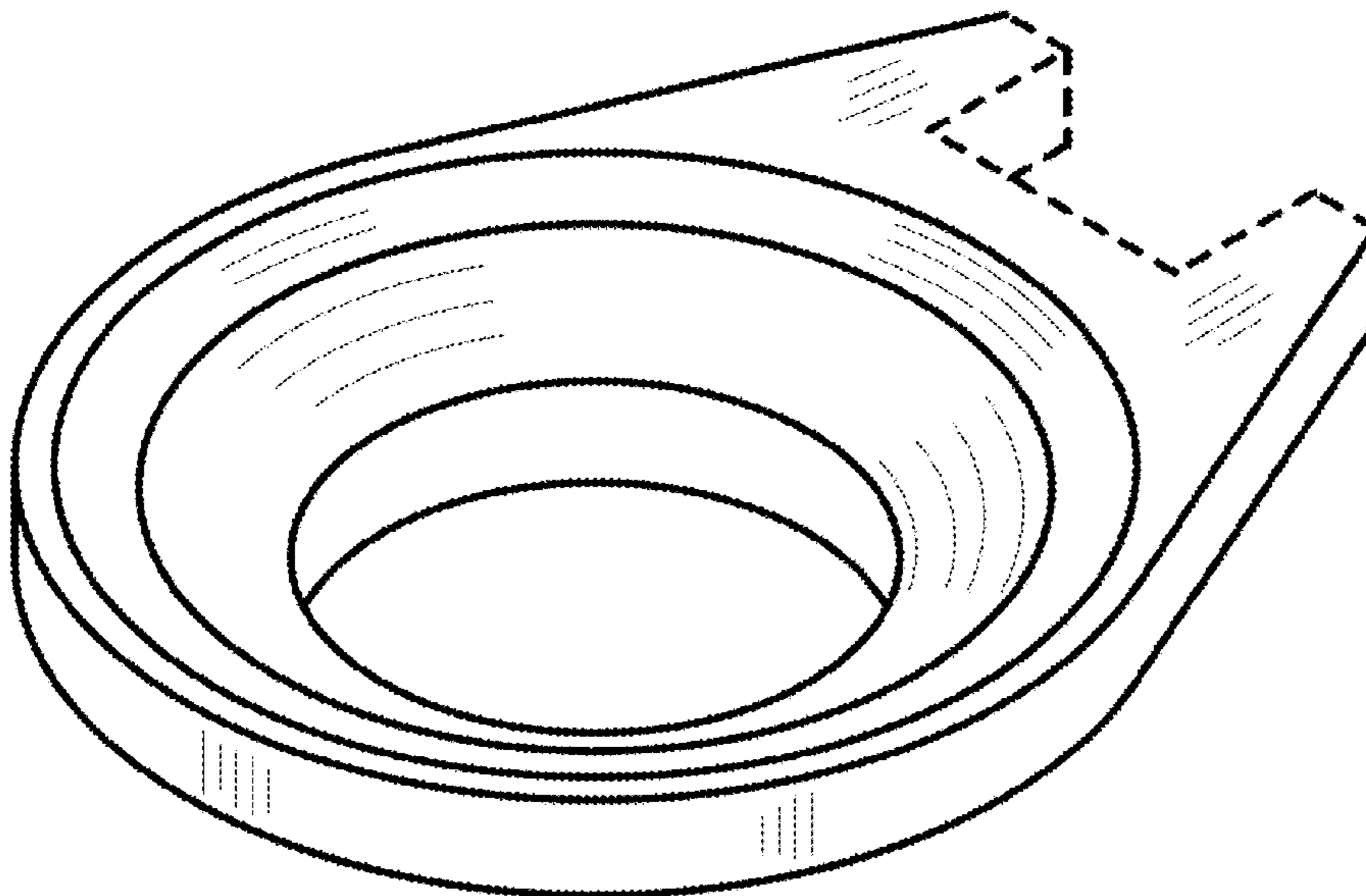
(57) **CLAIM**

The ornamental design for a smooth incurvate connector, as shown and described.

DESCRIPTION

FIG. 1 is a perspective view of the present invention; FIG. 2 is a top plan view thereof; FIG. 3 is a bottom plan view thereof; FIG. 4 is a front side elevation view thereof; FIG. 5 is a back side elevation view thereof; FIG. 6 is a right side view thereof; and, FIG. 7 is a left side elevation view thereof. Any broken lines shown in the figures depict portions of the smooth incurvate connector and form no part of the claimed design.

1 Claim, 7 Drawing Sheets



(56)

References Cited

U.S. PATENT DOCUMENTS

D216,948 S * 3/1970 Turner D8/396
 3,604,687 A * 9/1971 Moore E04H 17/1413
 256/65.04
 D227,742 S * 7/1973 Logsdon D8/354
 D229,392 S * 11/1973 Faust D8/394
 3,924,913 A 12/1975 Cooper
 3,960,367 A * 6/1976 Rogers E04H 17/1447
 256/21
 4,078,772 A * 3/1978 Carbone E04H 17/1447
 256/24
 4,188,019 A 2/1980 Meridith
 4,324,388 A 4/1982 Klaser
 4,787,601 A 11/1988 Rybak
 D345,776 S * 4/1994 Williams D10/64
 5,301,926 A 4/1994 Sharp
 5,402,988 A 4/1995 Eisele
 5,593,143 A * 1/1997 Ferrarin E04H 17/08
 248/68.1
 5,601,279 A 2/1997 Schwartz
 5,613,656 A * 3/1997 Protz, Jr. H02G 7/08
 24/115 F
 D396,801 S * 8/1998 Petty D8/356
 5,961,242 A * 10/1999 Leone E04H 17/1417
 403/234
 D418,393 S * 1/2000 Proctor D8/354
 6,149,135 A 11/2000 Hlavin
 6,192,627 B1 2/2001 Gompertz
 6,279,880 B1 8/2001 Hawks
 6,779,782 B1 * 8/2004 Webb E04F 11/1834
 256/65.03
 6,811,145 B2 11/2004 Gibbs
 6,848,677 B2 2/2005 Cantley
 6,851,661 B1 2/2005 Penning
 7,070,136 B1 7/2006 Bailey
 7,134,646 B1 11/2006 Brooks
 D557,129 S * 12/2007 Jones D8/382
 7,562,865 B2 7/2009 Penning
 7,676,926 B2 3/2010 Langenwalter
 7,677,534 B2 3/2010 Langenwalter
 7,802,773 B2 9/2010 Murphy
 8,152,141 B2 4/2012 Langenwalter
 D681,440 S * 5/2013 Yu D8/396
 8,511,648 B2 8/2013 McCarthy
 8,631,551 B1 * 1/2014 Payne E04H 17/1417
 29/428
 8,662,478 B1 3/2014 Jones
 D719,821 S * 12/2014 McGrath D8/382
 D739,225 S * 9/2015 Mazzie D8/396
 D747,245 S * 1/2016 Nosworthy D12/180
 9,458,645 B1 10/2016 King
 9,631,396 B2 4/2017 Leach
 9,695,612 B2 7/2017 Batts
 D802,406 S * 11/2017 Milner D8/382
 D813,972 S * 3/2018 Montes D22/108
 D828,747 S * 9/2018 Barnes D8/382
 10,202,804 B2 2/2019 Prasad
 D854,917 S * 7/2019 Amrein D8/382
 10,364,589 B2 7/2019 Cochrane
 D858,798 S 9/2019 McCarthy et al.
 10,422,155 B2 * 9/2019 Goedecke E04H 17/1417
 10,465,414 B2 11/2019 Calle
 D870,543 S * 12/2019 Peyton D8/382

D873,439 S 1/2020 McCarthy et al.
 10,538,939 B1 1/2020 Gibbs et al.
 D894,316 S * 8/2020 Bergman D22/108
 D904,170 S * 12/2020 Francis D8/354
 10,858,823 B2 * 12/2020 Francis F16B 7/0433
 2002/0027225 A1 3/2002 Sotillos
 2003/0146426 A1 8/2003 Ray
 2003/0155565 A1 8/2003 Cantley
 2004/0188667 A1 9/2004 Ray
 2005/0023513 A1 2/2005 Penning
 2005/0035341 A1 2/2005 Montgomery
 2005/0056821 A1 3/2005 Kerr
 2005/0097804 A1 * 5/2005 Lee A01K 87/04
 43/24
 2005/0173690 A1 8/2005 Penning
 2005/0285091 A1 * 12/2005 Ko E04H 17/1439
 256/24
 2008/0169455 A1 7/2008 Alberts
 2009/0184301 A1 7/2009 Ian
 2010/0133492 A1 6/2010 Langenwalter
 2010/0207088 A1 8/2010 Bowman
 2011/0073823 A1 3/2011 Mitrovic
 2011/0114910 A1 5/2011 Stuckel
 2011/0168963 A1 7/2011 Bowman
 2012/0145983 A1 * 6/2012 Rosicki E04H 17/1447
 256/65.03
 2012/0261630 A1 * 10/2012 Sadinsky E04H 17/08
 256/24
 2015/0008384 A1 * 1/2015 Roddy F16B 2/22
 256/47
 2015/0123061 A1 * 5/2015 Walters E04H 17/1447
 256/21
 2015/0252941 A1 * 9/2015 Sirkin E04H 17/1417
 248/72
 2015/0345173 A1 12/2015 Grasman
 2018/0238076 A1 8/2018 Thiem
 2018/0283042 A1 10/2018 Cochrane
 2019/0003202 A1 1/2019 Abdu-Samad
 2019/0024405 A1 1/2019 Gooden
 2019/0078350 A1 3/2019 Boado
 2019/0085589 A1 3/2019 McKinney
 2019/0085590 A1 3/2019 Harry et al.
 2019/0177997 A1 6/2019 Springborn
 2019/0218817 A1 7/2019 Goodrich et al.
 2019/0226230 A1 7/2019 Langenwalter et al.
 2020/0173190 A1 * 6/2020 Galla E04H 17/266

FOREIGN PATENT DOCUMENTS

CA 2256263 12/1998
 CA 2493746 A1 3/2004
 CA 2493736 A1 7/2005
 CA 2526182 A1 9/2005
 CA 2597122 1/2007
 CA 2669440 12/2010
 CA 2607388 12/2013
 CA 2820331 12/2013
 CA 2893389 12/2015
 CA 2932974 12/2017
 DE 202017000679 U1 * 4/2017 E04H 17/16
 EP 1733110 B1 2/2015
 FR 3041017 B1 * 10/2017 E01F 13/02
 NZ 546988 3/2005

* cited by examiner

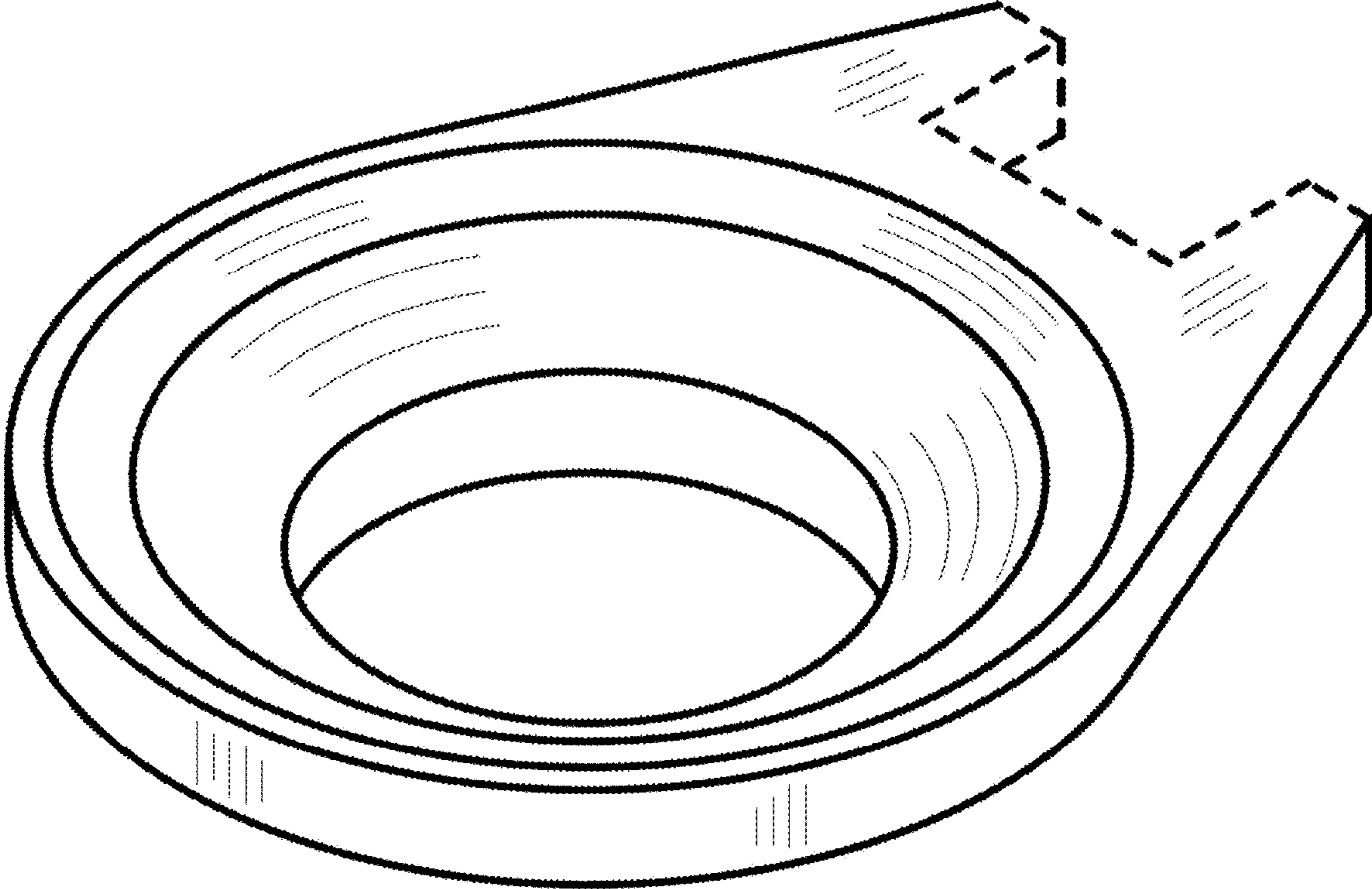


Fig. 1

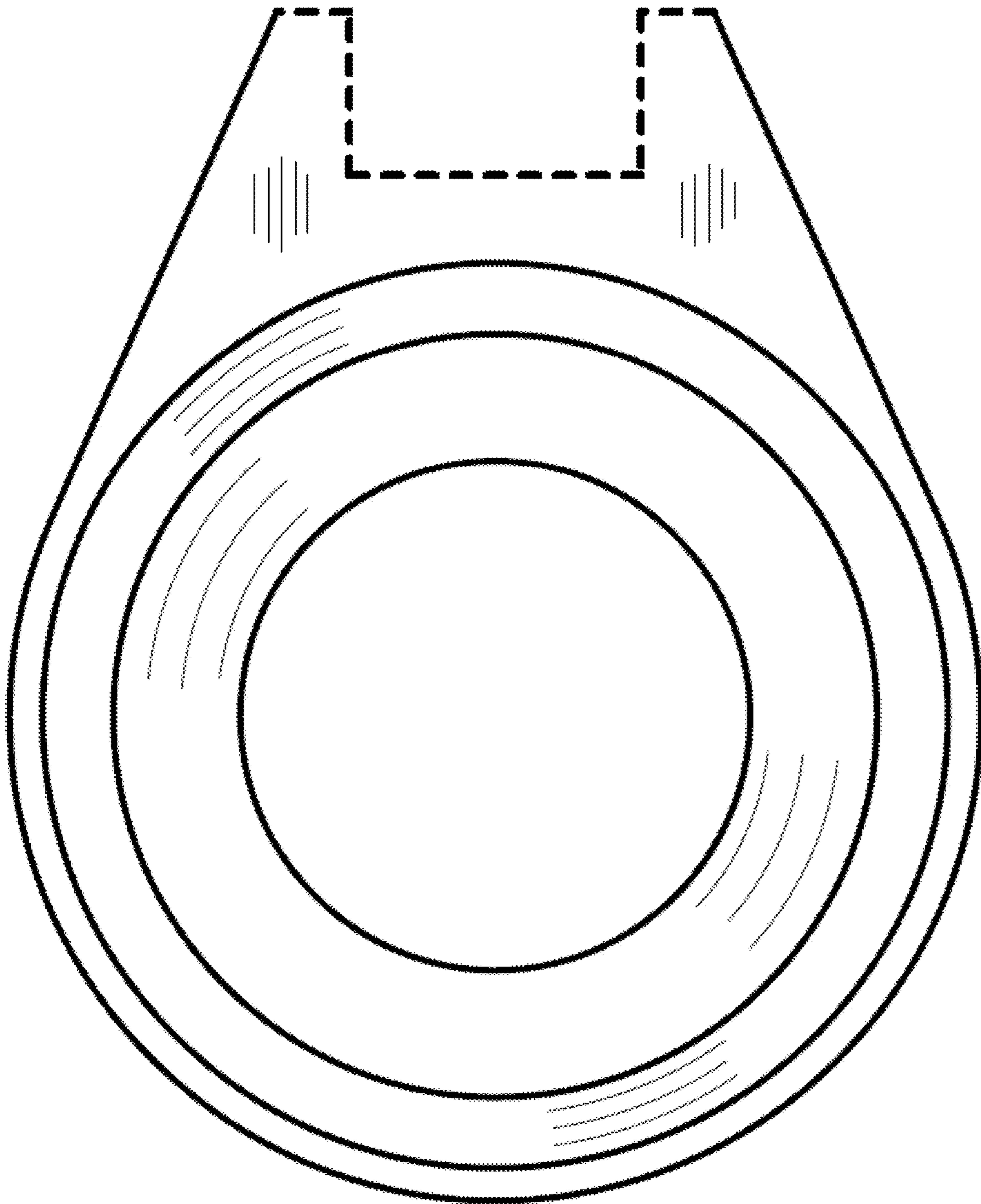


Fig. 2

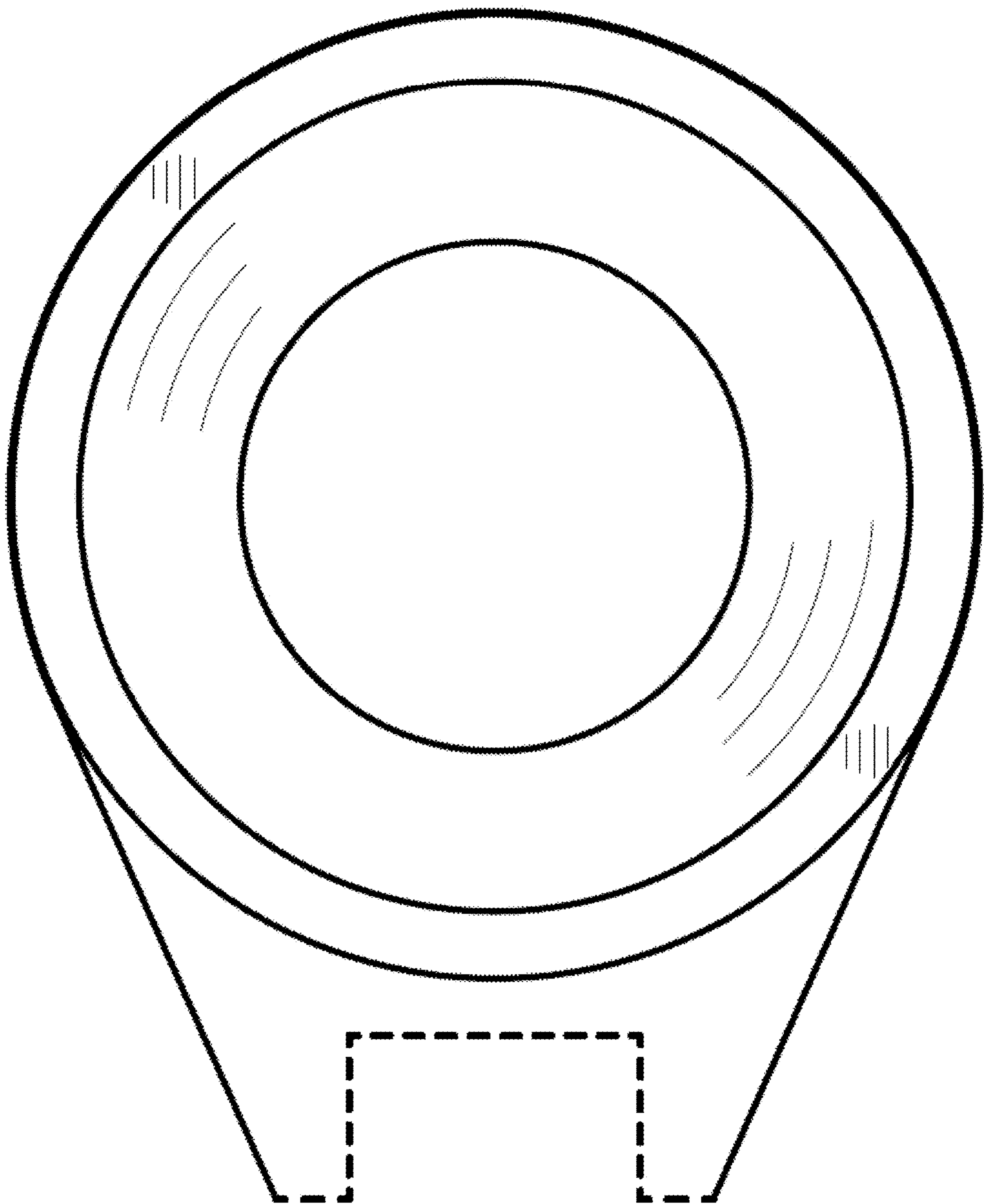


Fig. 3

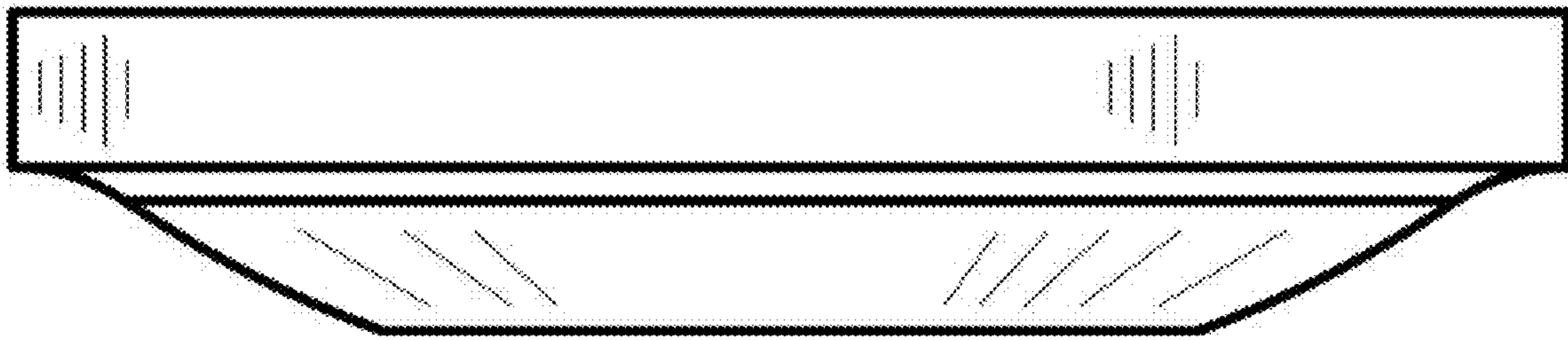


Fig. 4

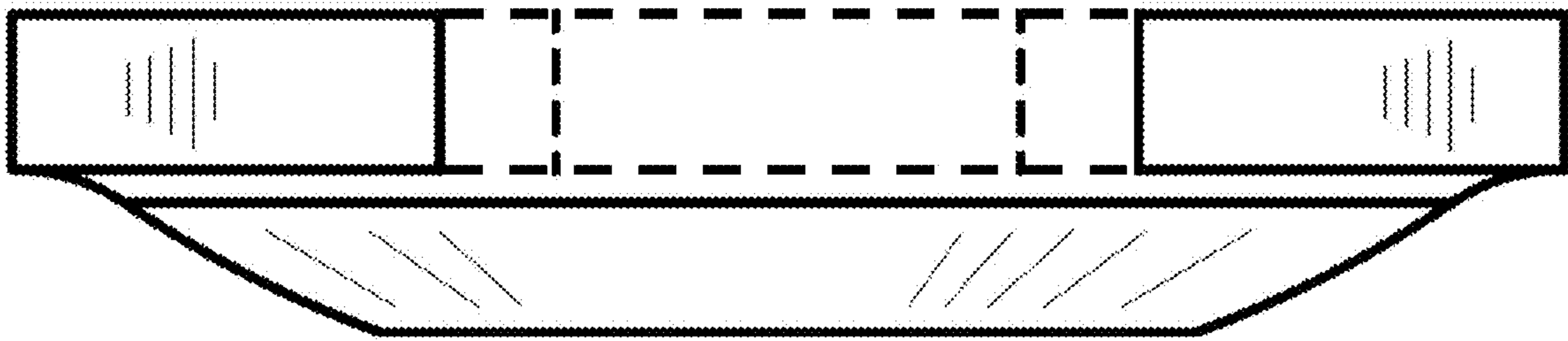


Fig. 5

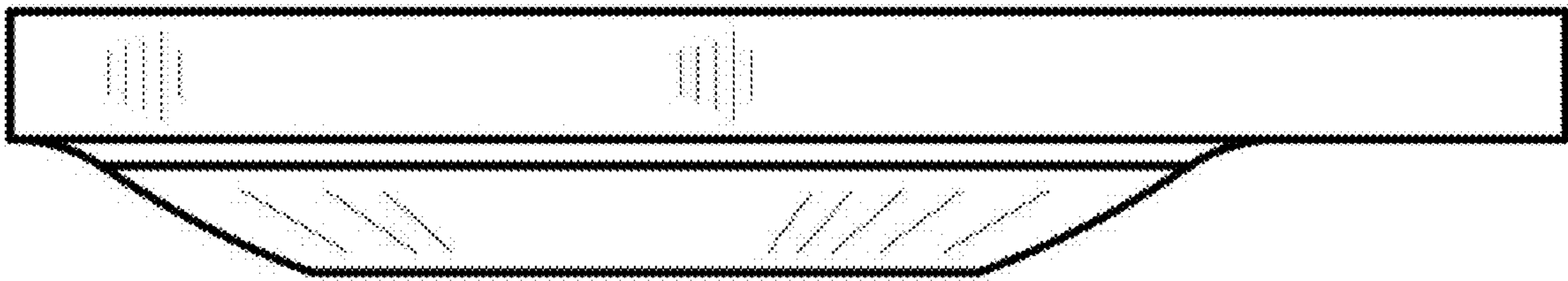


Fig. 6



Fig. 7