



US00D951081S

(12) **United States Design Patent** (10) **Patent No.:** **US D951,081 S**
Cho (45) **Date of Patent:** **** May 10, 2022**

(54) **STRAP LENGTH ADJUSTER**
(71) Applicant: **Sae Han Byul Cho**, Seoul (KR)
(72) Inventor: **Sae Han Byul Cho**, Seoul (KR)
(**) Term: **15 Years**

D681,437 S * 5/2013 Wall D8/394
D713,759 S * 9/2014 Guney D11/218
D758,836 S * 6/2016 Symons D8/383
9,486,028 B1 * 11/2016 VanHoutin A44B 17/0088
D805,427 S * 12/2017 Steinberger D11/218
2003/0121126 A1 * 7/2003 Buscart F16G 11/101
24/115 G
2019/0246748 A1 * 8/2019 Tseng A45C 13/1046

(21) Appl. No.: **35/510,003**
(22) Filed: **Feb. 5, 2020**

FOREIGN PATENT DOCUMENTS

WO WO D207236-001 * 8/2020

(80) **Hague Agreement Data**

Int. Filing Date: **Feb. 5, 2020**
Int. Reg. No.: **DM/207299**
Int. Reg. Date: **Feb. 5, 2020**
Int. Reg. Pub. Date: **Aug. 7, 2020**

OTHER PUBLICATIONS

Duraflex—DA204, no date available, [online], [site visited Jul. 26, 2021]. Retrieved from url:https://www.duraflexgroup.com/products/PROF00000232?family=true (Year: 2021).*

* cited by examiner

Primary Examiner — Tracey J Bell

(51) **LOC (13) Cl.** **08-08**
(52) **U.S. Cl.**
USPC **D8/383**; D11/216
(58) **Field of Classification Search**
USPC D8/349, 383, 394, 395, 396; D2/978;
D11/200, 215, 216, 218
CPC ... A43C 11/00; F16G 11/101; A44B 11/2557;
A44B 11/06; A44B 11/065; A44B 6/00;
A44B 11/12; A44B 11/125; A44B 11/16;
A44B 11/2507; A44B 11/006; A44B
11/2515
See application file for complete search history.

(57) **CLAIM**

The ornamental design for a strap length adjuster, as shown and described.

DESCRIPTION

- 1. Strap length adjuster
- 1.1 : Perspective
- 1.2 : Front
- 1.3 : Back
- 1.4 : Top
- 1.5 : Bottom
- 1.6 : Left
- 1.7 : Cross sectional

The letters ('A') and the arrows in reproduction 1.4 are only to show a part of cross section and form no part of the claimed design.

The portions of the strap length adjuster shown in broken lines here form no part of the claimed design.

(56) **References Cited**

U.S. PATENT DOCUMENTS

D190,079 S * 4/1961 Phillips D11/218
D560,477 S * 1/2008 Yoshie D8/383
D586,648 S * 2/2009 Yoshie D8/385
D630,502 S * 1/2011 Ishii A45C 13/1046
D8/383
D671,443 S * 11/2012 Paik A44B 17/0088
D11/216
D680,855 S * 4/2013 Kadoishi D8/383

1 Claim, 7 Drawing Sheets

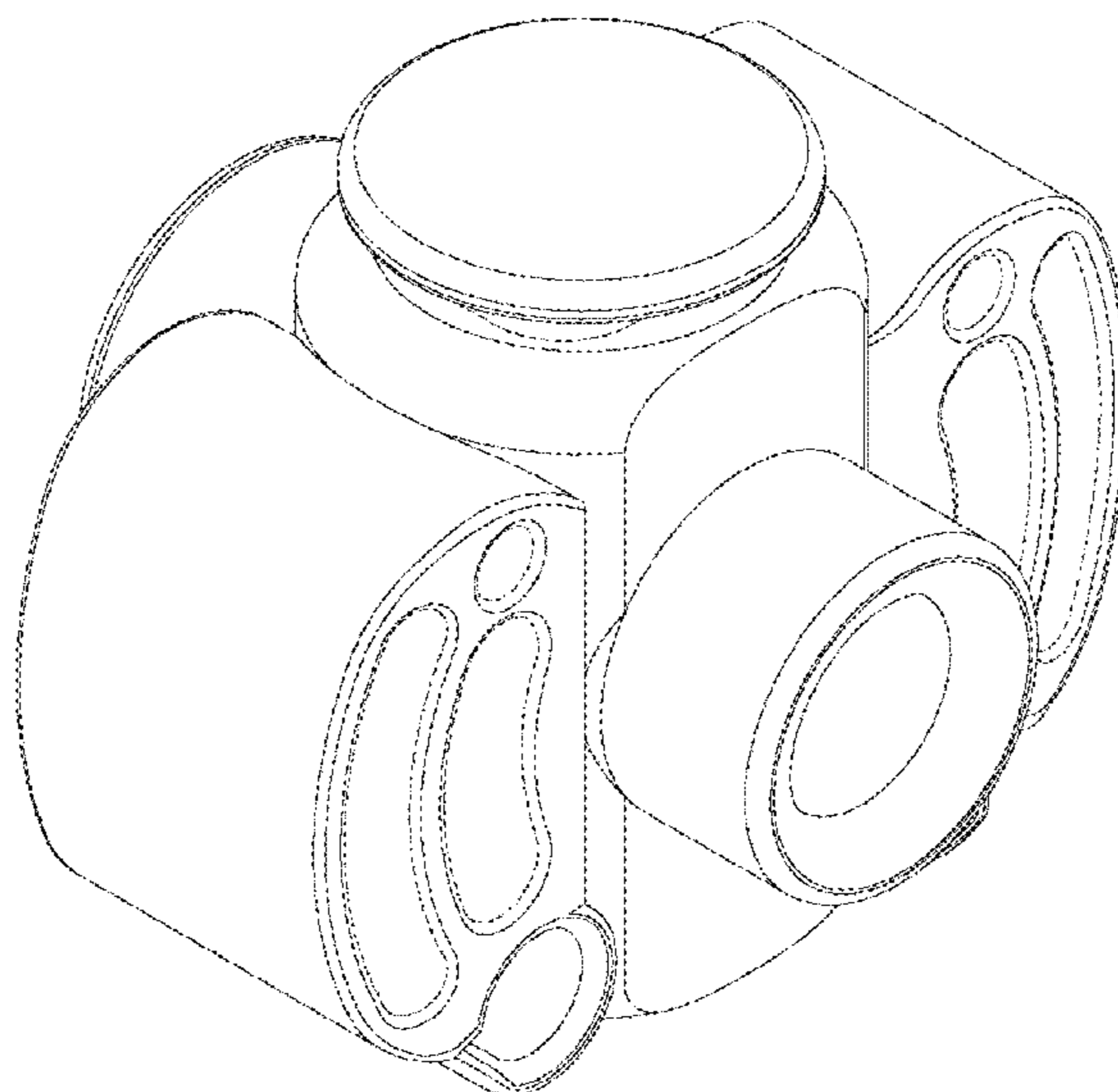


FIG. 1.1

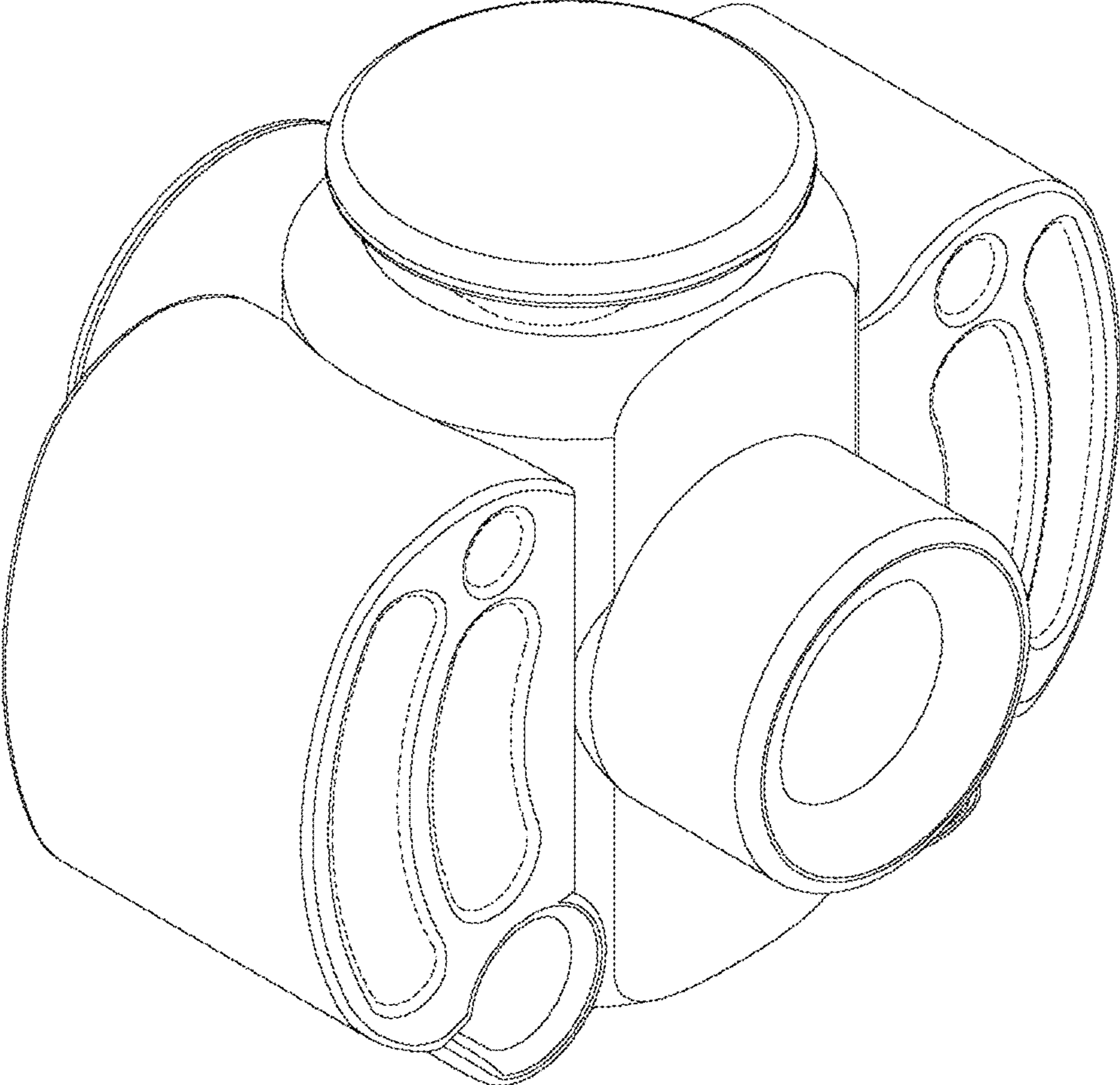


FIG. 1.2

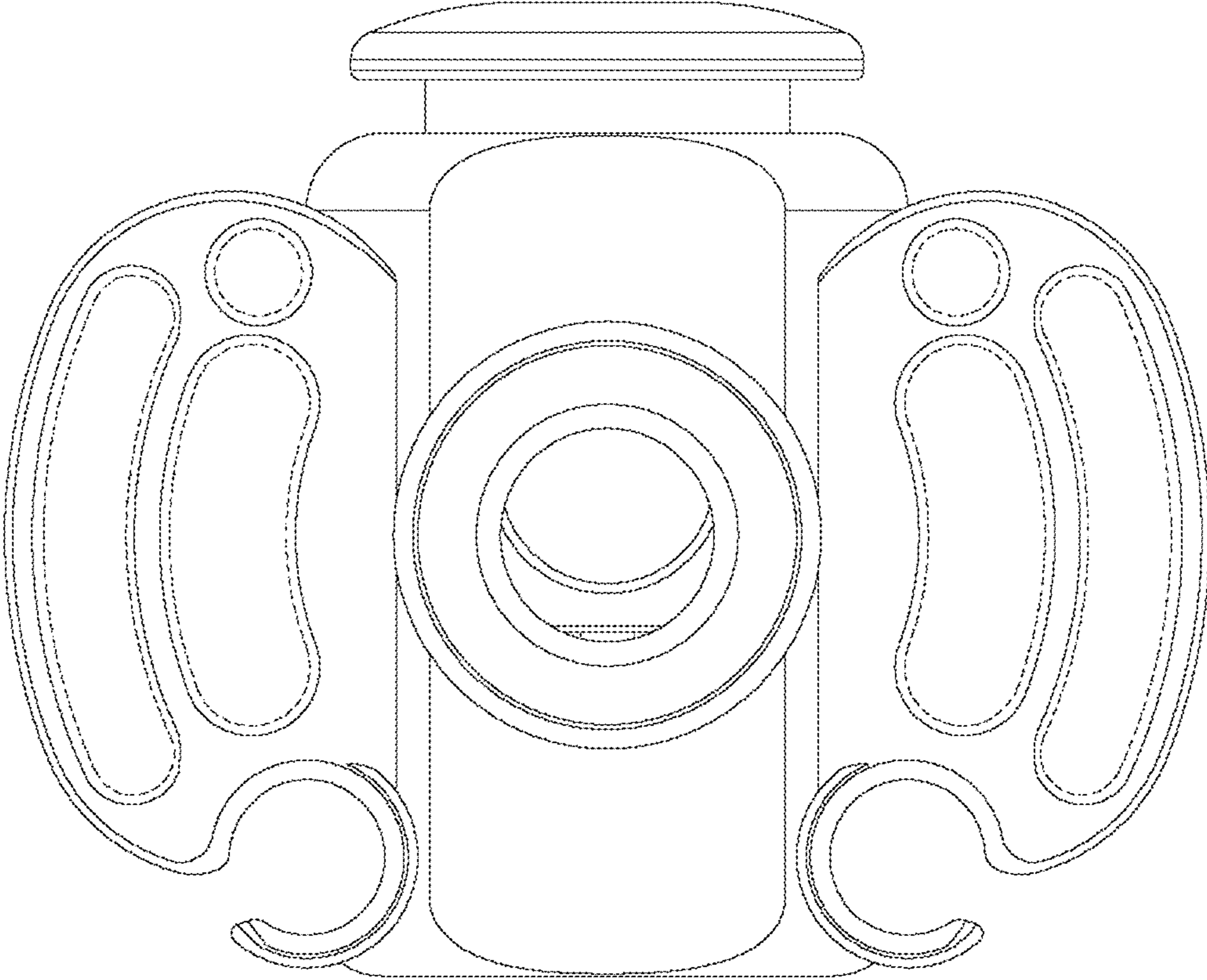


FIG. 1.3

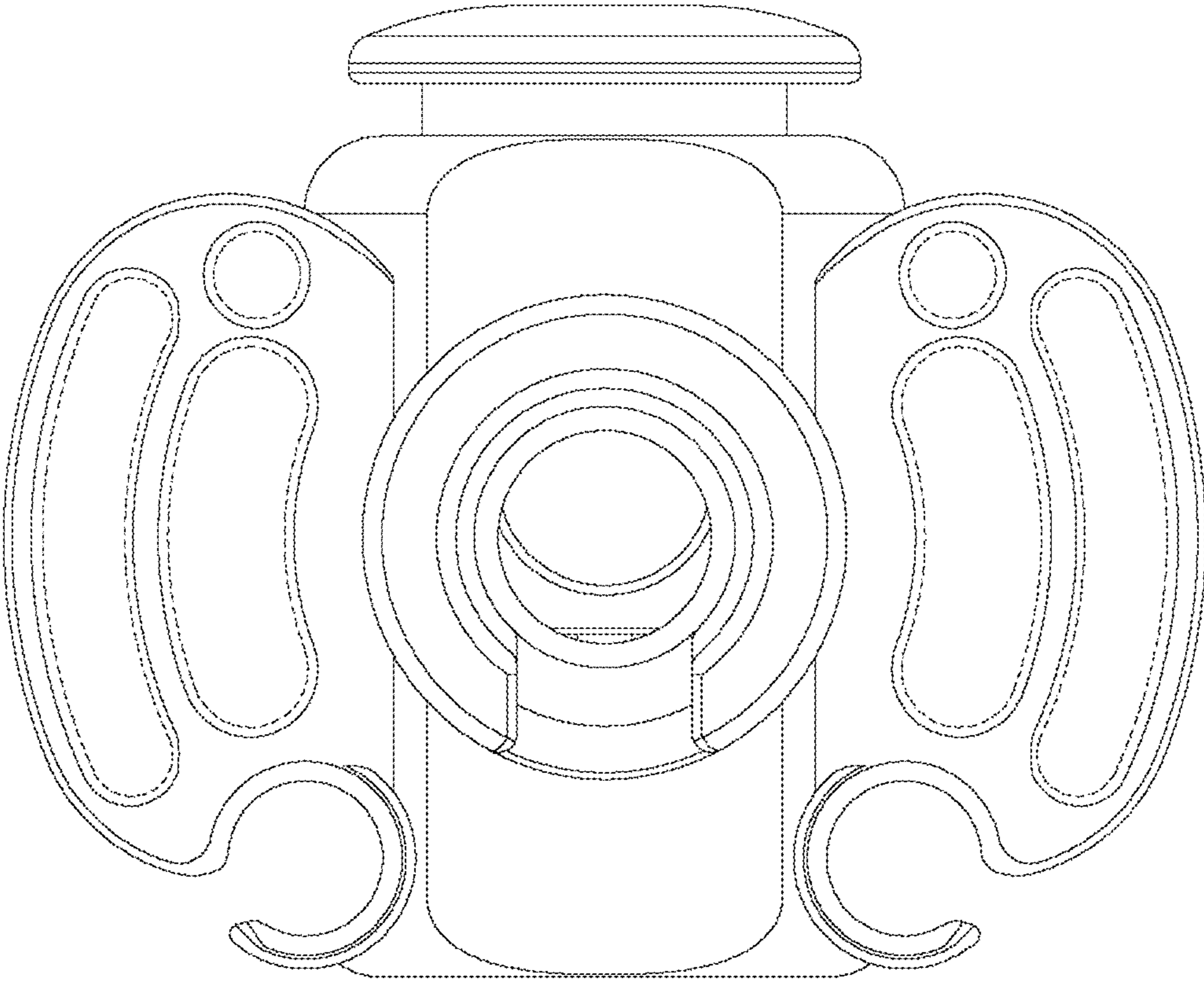


FIG. 1.4

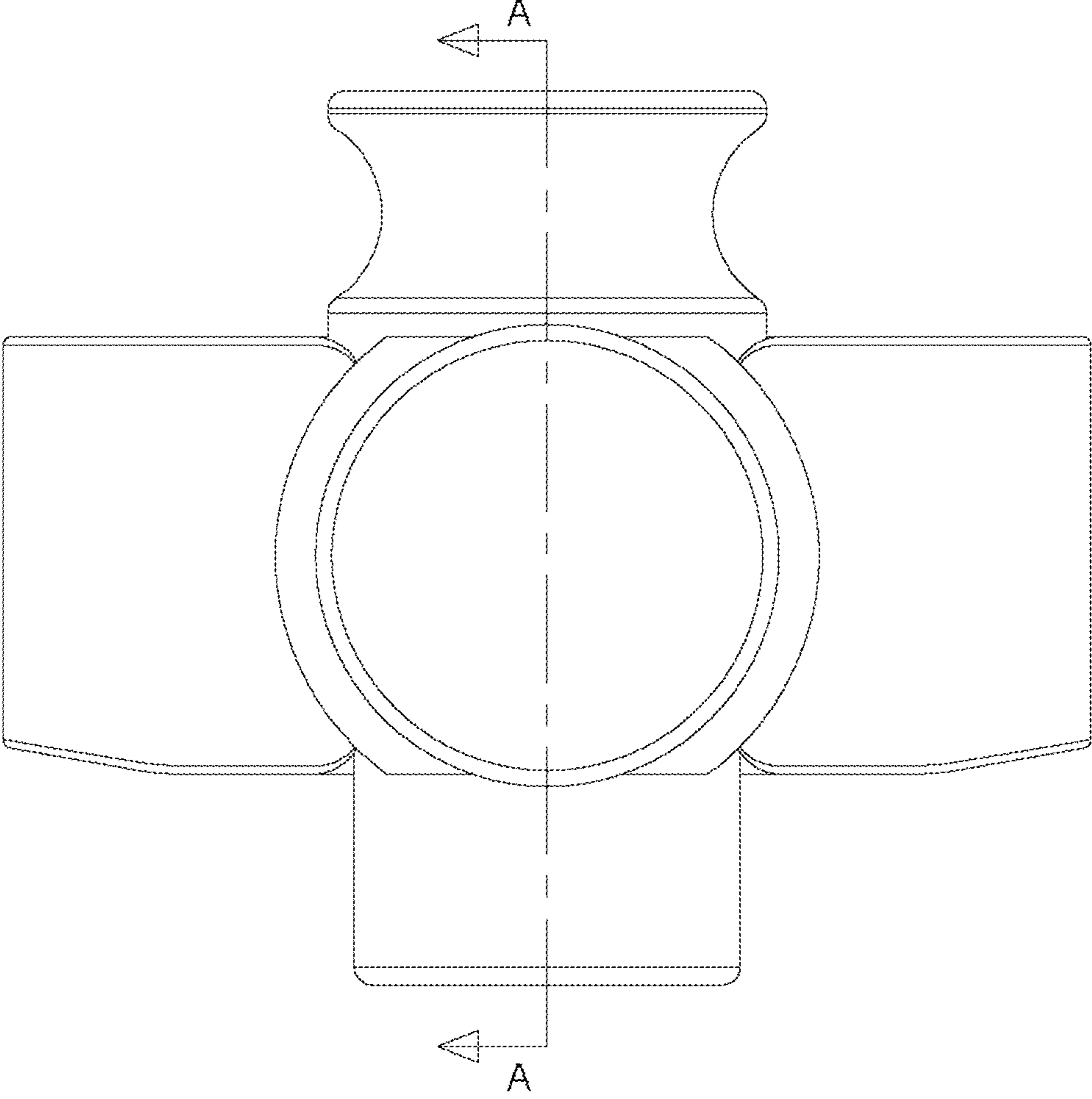


FIG. 1.5

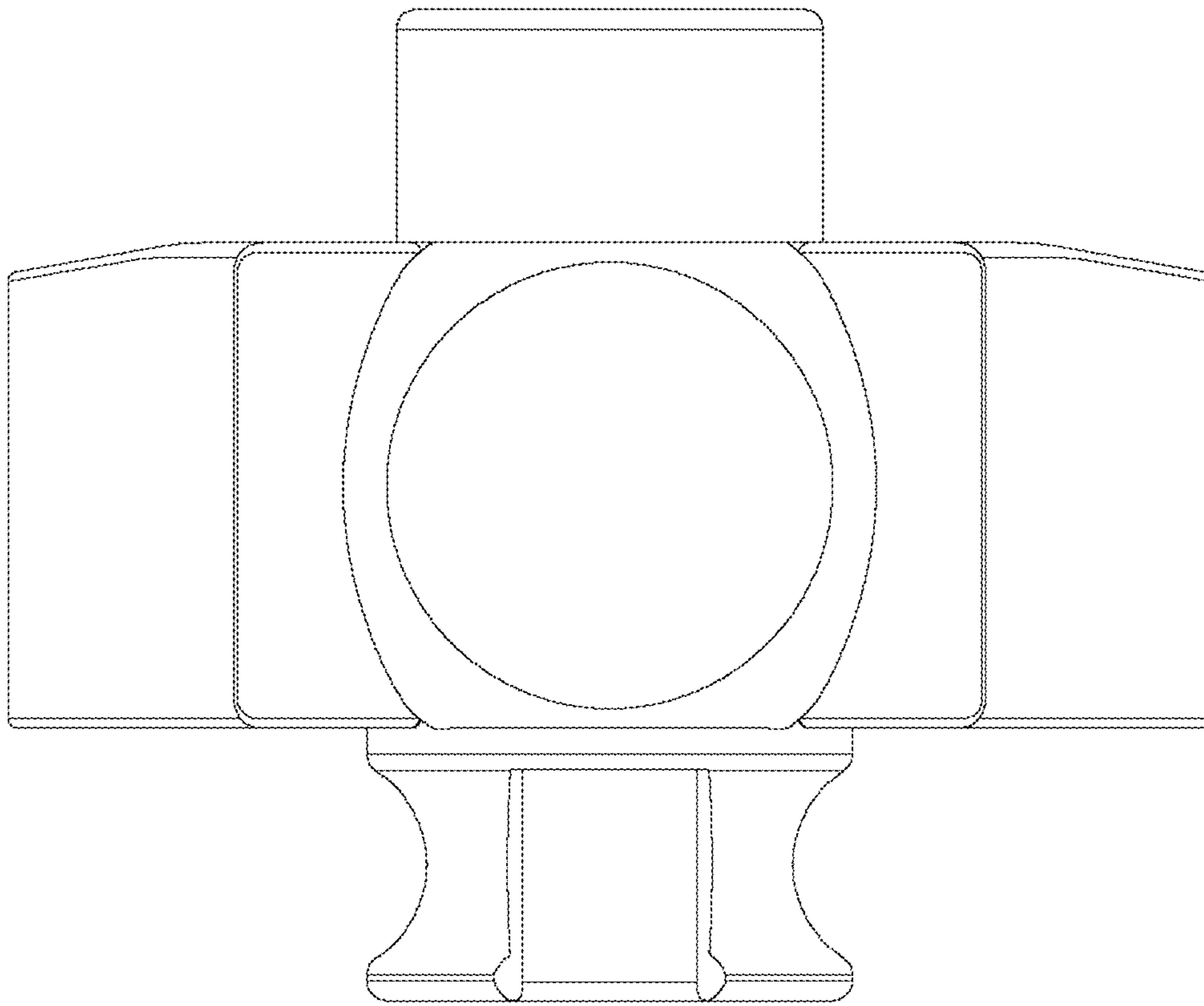


FIG. 1.6

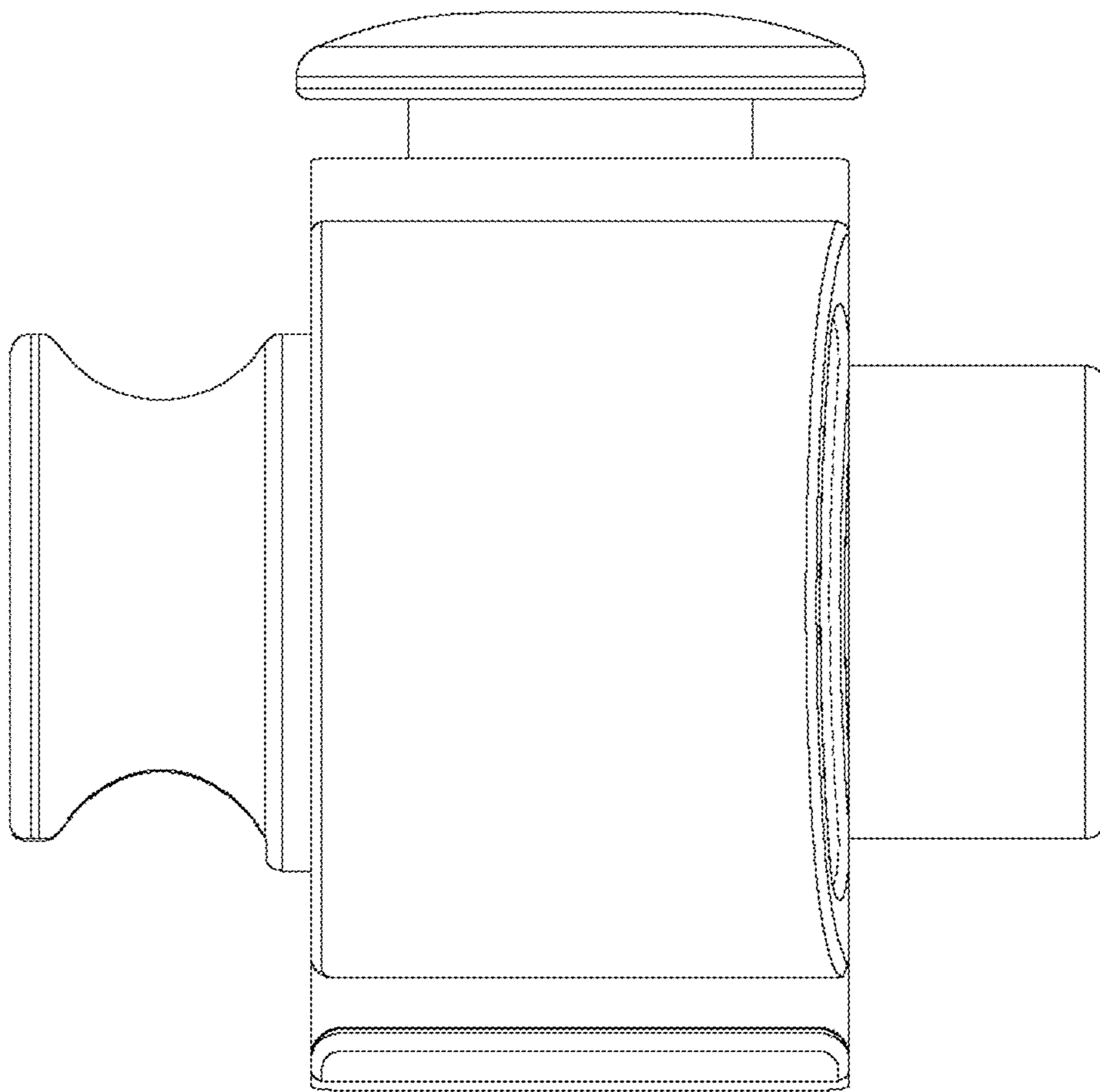


FIG. 1.7

