



US00D951080S

(12) **United States Design Patent** (10) **Patent No.:** **US D951,080 S**
Truong et al. (45) **Date of Patent:** **** May 10, 2022**

(54) **FASTENER**

(71) Applicant: **Illinois Tool Works Inc.**, Glenview, IL (US)
(72) Inventors: **Victor Truong**, Chicago, IL (US);
Anthony M. Versino, Buffalo Grove, IL (US)
(73) Assignee: **Illinois Tool Works Inc.**, Glenview, IL (US)
(**) Term: **15 Years**

(21) Appl. No.: **29/707,383**
(22) Filed: **Sep. 27, 2019**
(51) **LOC (13) Cl.** **08-08**
(52) **U.S. Cl.**
USPC **D8/382**
(58) **Field of Classification Search**
USPC D8/381-382, 383, 386-387, 397-399,
D8/394, 349; D6/705-706, 691, 695, 697
CPC A47B 57/583; A47F 5/005; A47F 5/0018;
A47F 5/0025; A47F 5/0068; F16B
12/125; F16B 12/22; F16B 12/24; F16B
19/00; F16B 19/008; F16B 2005/0678;
F16B 21/086; F16B 2/22; F16B 5/0084;
F16B 5/0607; F16B 5/0657
See application file for complete search history.

(56) **References Cited**

U.S. PATENT DOCUMENTS

87,717 A 3/1869 Smith
3,389,734 A 6/1968 Guthall
(Continued)

FOREIGN PATENT DOCUMENTS

DE 296 09 008 8/1996
DE 10 2010 030 893 1/2012
(Continued)

OTHER PUBLICATIONS

Serrated Hex Flanged Washer Head, Date Visited: Aug. 24, 2021, Mutual Screw, Date Available: Aug. 24, 2021, <https://www.mutualscrew.com/product/serrated-hex-flanged-washer-head-188-stainless-steel-8057.cfm> (Year: 2021).*
(Continued)

Primary Examiner — Karen S Acker
Assistant Examiner — Elizabeth S Ko

(74) *Attorney, Agent, or Firm* — Neal, Gerber & Eisenberg LLP

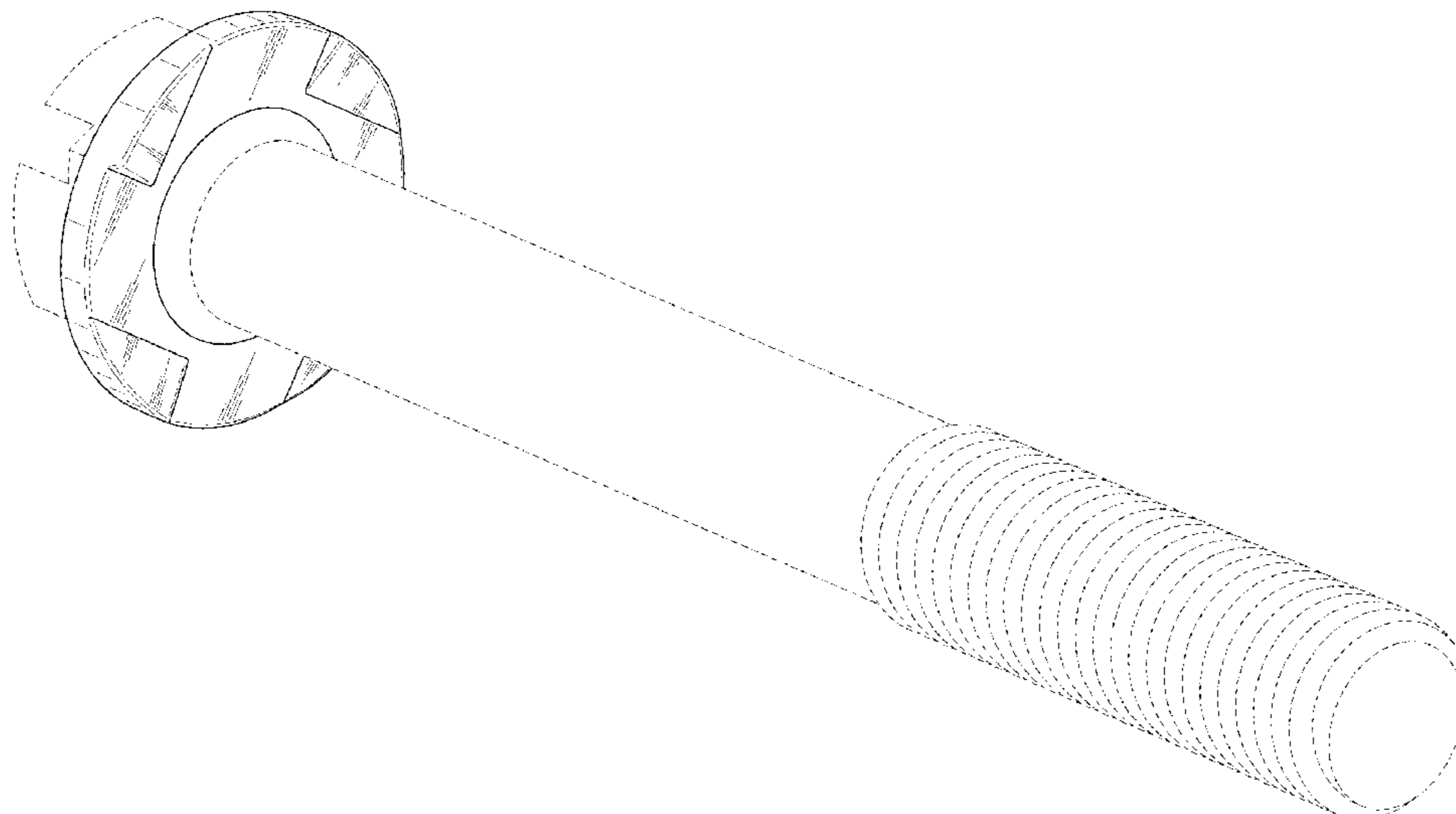
(57) **CLAIM**

The ornamental design for a fastener, as shown and described.

DESCRIPTION

This application is related to the following commonly owned co-pending patent application: U.S. application Ser. No. 16/115,797, entitled "Threaded Fastener".
FIG. 1 is a bottom perspective view of a fastener of our new design.
FIG. 2 is an enlarged fragmentary bottom perspective view of the fastener of FIG. 1, and showing a bottom side of the head of the fastener.
FIG. 3 is an enlarged view of the fastener of FIG. 1 and shows a front side of the head of the fastener; the back side of the head of the fastener is a mirror image thereof.
FIG. 4 is an enlarged front view of the fastener of FIG. 1 and shows a right side of the head of the fastener; the left side of the head of the fastener is a mirror image thereof.
FIG. 5 is an enlarged top view of the fastener of FIG. 1; and, FIG. 6 is an enlarged bottom view of the fastener of FIG. 1. The broken lines and all unshaded areas adjacent to solid lines depict portions of the fastener that form no part of the claimed design.

1 Claim, 6 Drawing Sheets



(56)

References Cited

U.S. PATENT DOCUMENTS

3,540,509 A 11/1970 Gutshall
 3,605,845 A 9/1971 Junker
 3,825,051 A 7/1974 Sigmund
 3,926,237 A 12/1975 Enders
 4,223,711 A 9/1980 Tabor
 4,310,272 A 1/1982 Rich et al.
 4,518,294 A 5/1985 Barth
 4,705,441 A 11/1987 Arnold
 4,749,319 A 6/1988 Sygnator
 4,764,066 A 8/1988 Terrell et al.
 4,812,095 A 3/1989 Piacenti et al.
 D347,786 S * 6/1994 Carruthers D8/382
 5,626,449 A 5/1997 McKinlay
 RE36,741 E 6/2000 Walther
 6,558,097 B2 5/2003 Mallet et al.
 D563,212 S * 3/2008 Campbell D8/21
 7,462,043 B2 12/2008 Deisenhofer
 8,322,960 B2 12/2012 Gong et al.
 8,591,159 B2 11/2013 Walther
 D721,266 S * 1/2015 Sun D8/382
 D727,138 S * 4/2015 Cross D8/382
 D728,355 S * 5/2015 Mai-Krist D8/382
 9,086,088 B2 7/2015 Walther
 9,523,383 B2 12/2016 Park
 D778,715 S * 2/2017 Deachin D8/382
 D784,122 S * 4/2017 Grangruth D8/382
 9,732,783 B2 8/2017 Lee
 D801,795 S * 11/2017 Huang D8/382
 D820,073 S * 6/2018 Iacono D8/382
 D850,896 S * 6/2019 Shaw D8/382
 D882,384 S * 4/2020 Bastian D8/382

D883,077 S * 5/2020 Koelling A47B 47/04
 D8/382
 D899,902 S * 10/2020 Barnes D8/354
 2004/0018043 A1 1/2004 Yu
 2004/0047706 A1 3/2004 Chang
 2006/0216129 A1 9/2006 Lin
 2007/0160418 A1* 7/2007 Lo F16B 12/24
 403/275
 2010/0158634 A1 6/2010 Walther
 2010/0278614 A1 11/2010 Bickford
 2011/0064540 A1 3/2011 Walther
 2016/0156166 A1* 6/2016 Yamamoto H02G 3/32
 174/68.3
 2016/0312820 A1* 10/2016 Lor F16B 5/02
 2018/0135682 A1 5/2018 Gong et al.
 2018/0328392 A1* 11/2018 Yang F16B 5/065
 2019/0078603 A1 3/2019 Truong et al.
 2019/0195258 A1* 6/2019 Zimmer F16B 13/0858

FOREIGN PATENT DOCUMENTS

DE 20 2015 005206 9/2012
 WO WO 2016/205119 12/2016
 WO WO 2018/093571 5/2018

OTHER PUBLICATIONS

Simpson Strong-Tie Titen® 2 Concrete and Masonry Screw, retrieved from the Internet at https://www.strongtie.com/mechanicalanchors_mechanicalanchoringproducts/ttn2_screw/p/titen-2, Sep. 24, 2018 (available before Feb. 12, 2018)(7 pages).

* cited by examiner

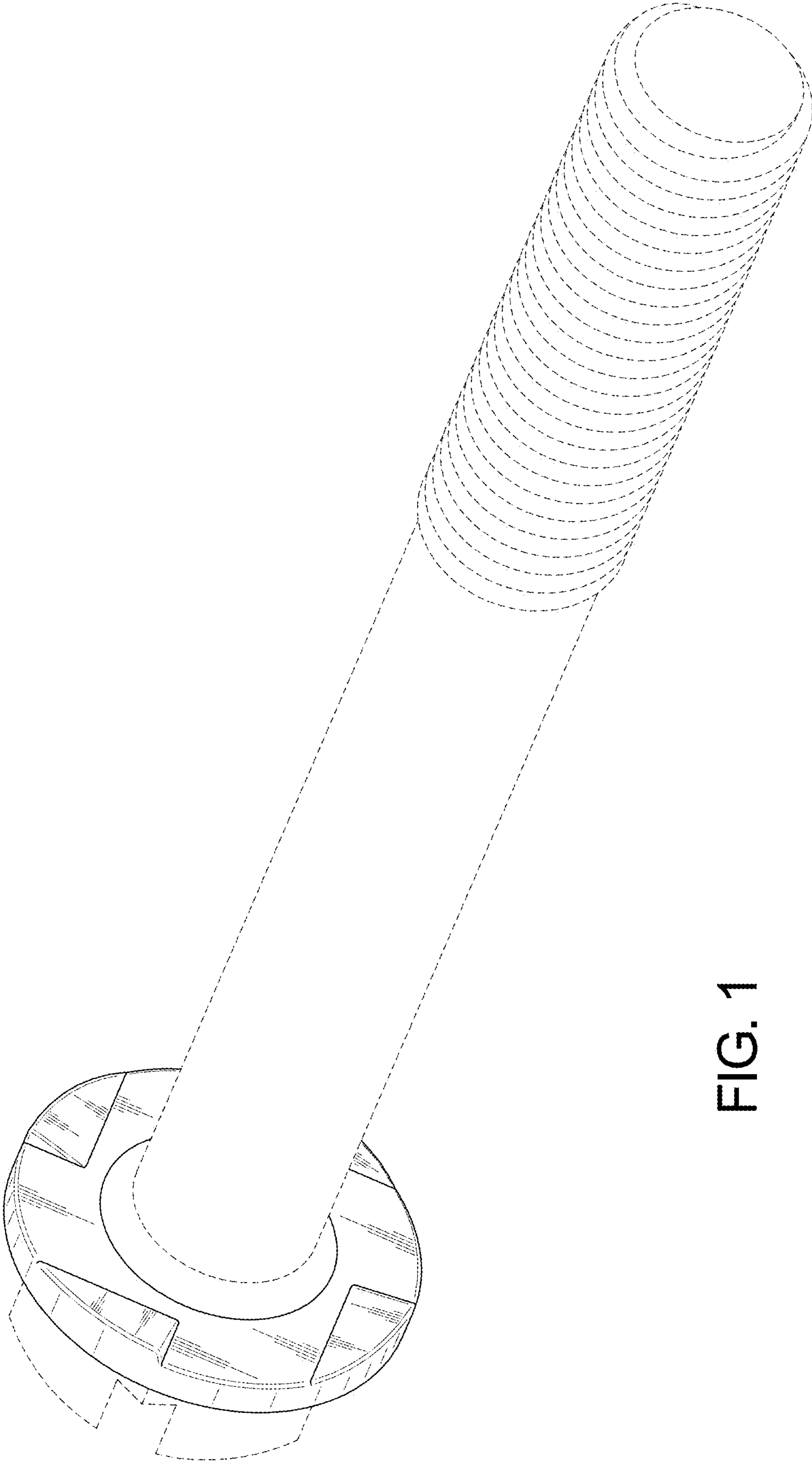


FIG. 1

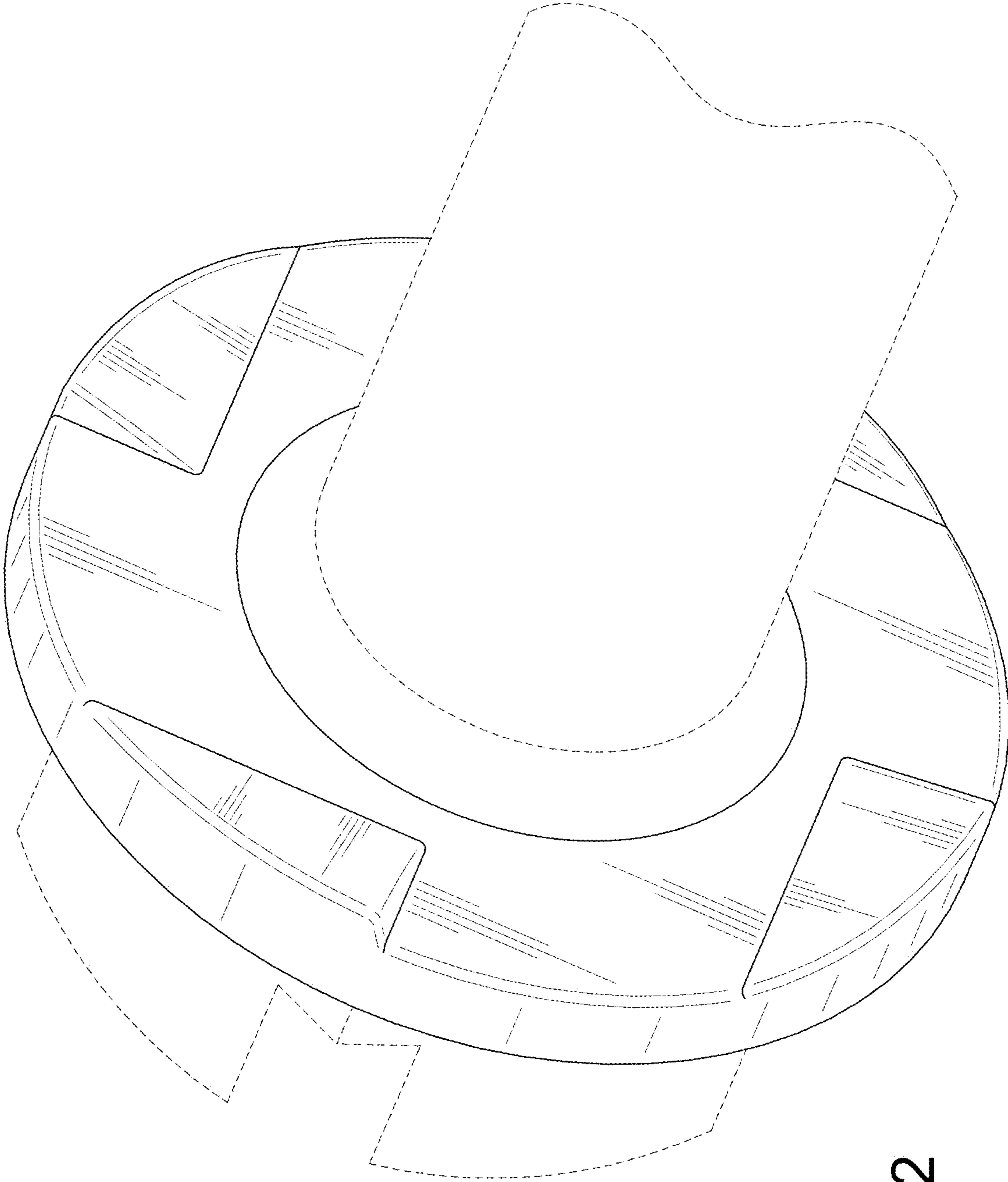


FIG. 2

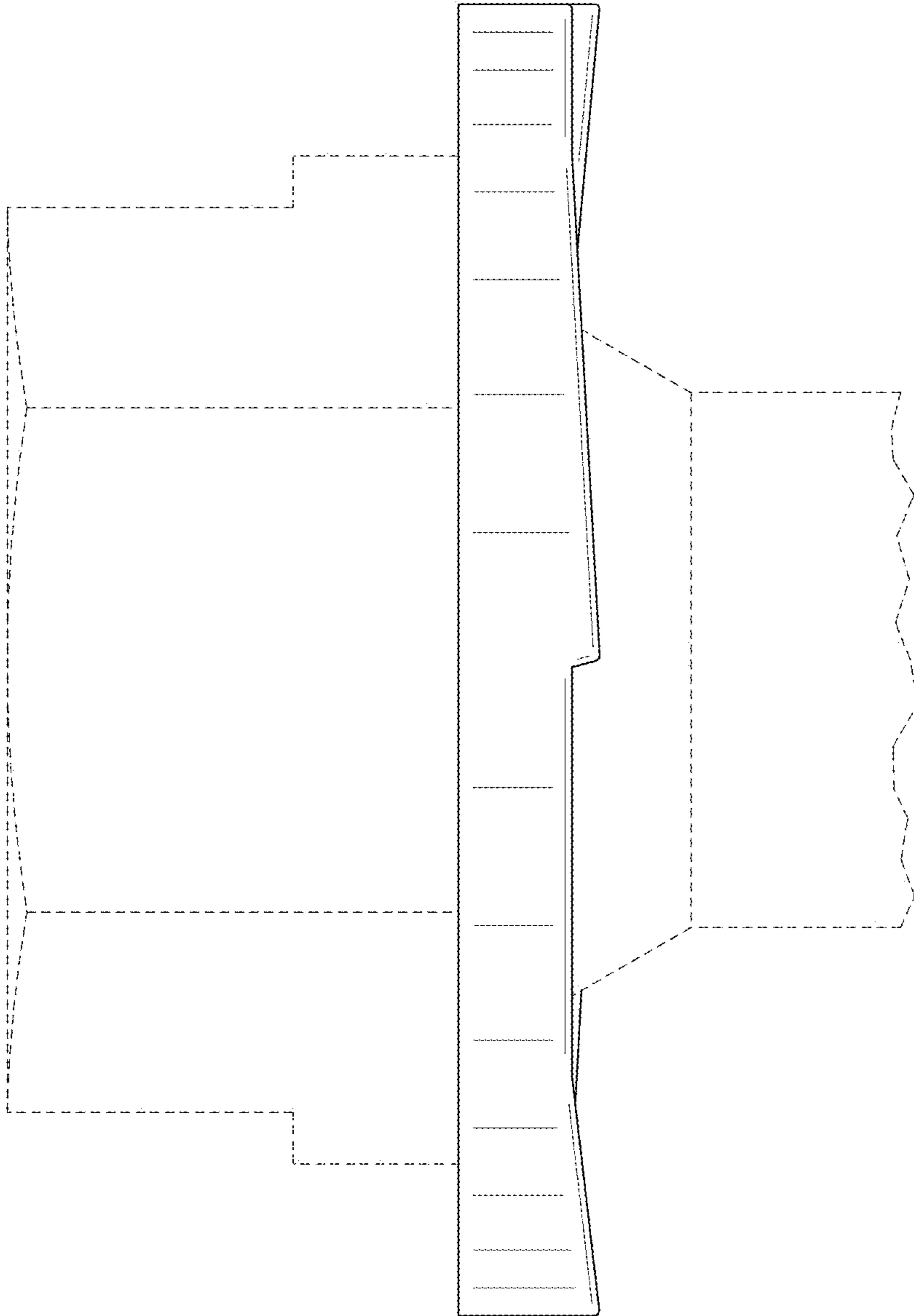


FIG. 3

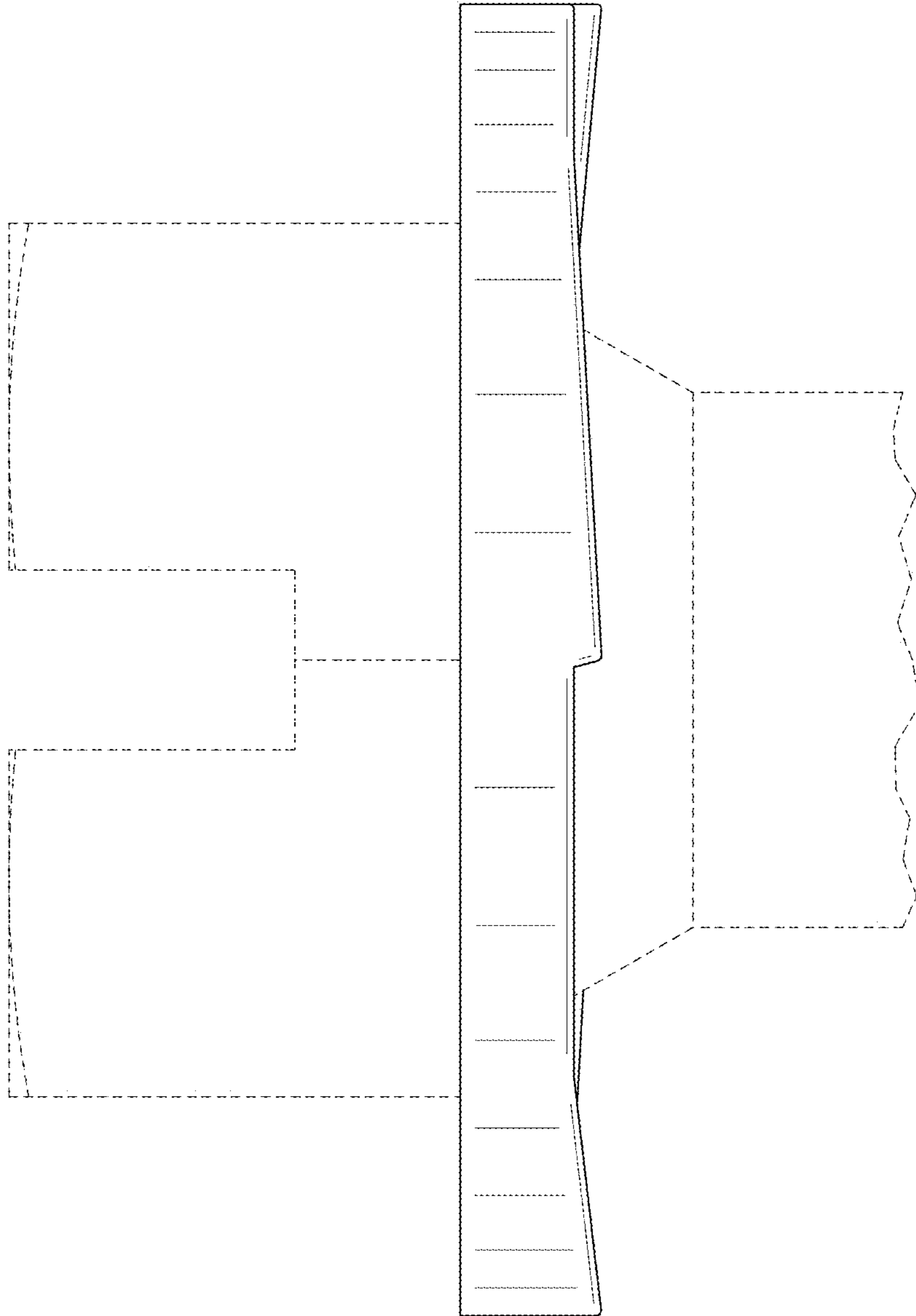


FIG. 4

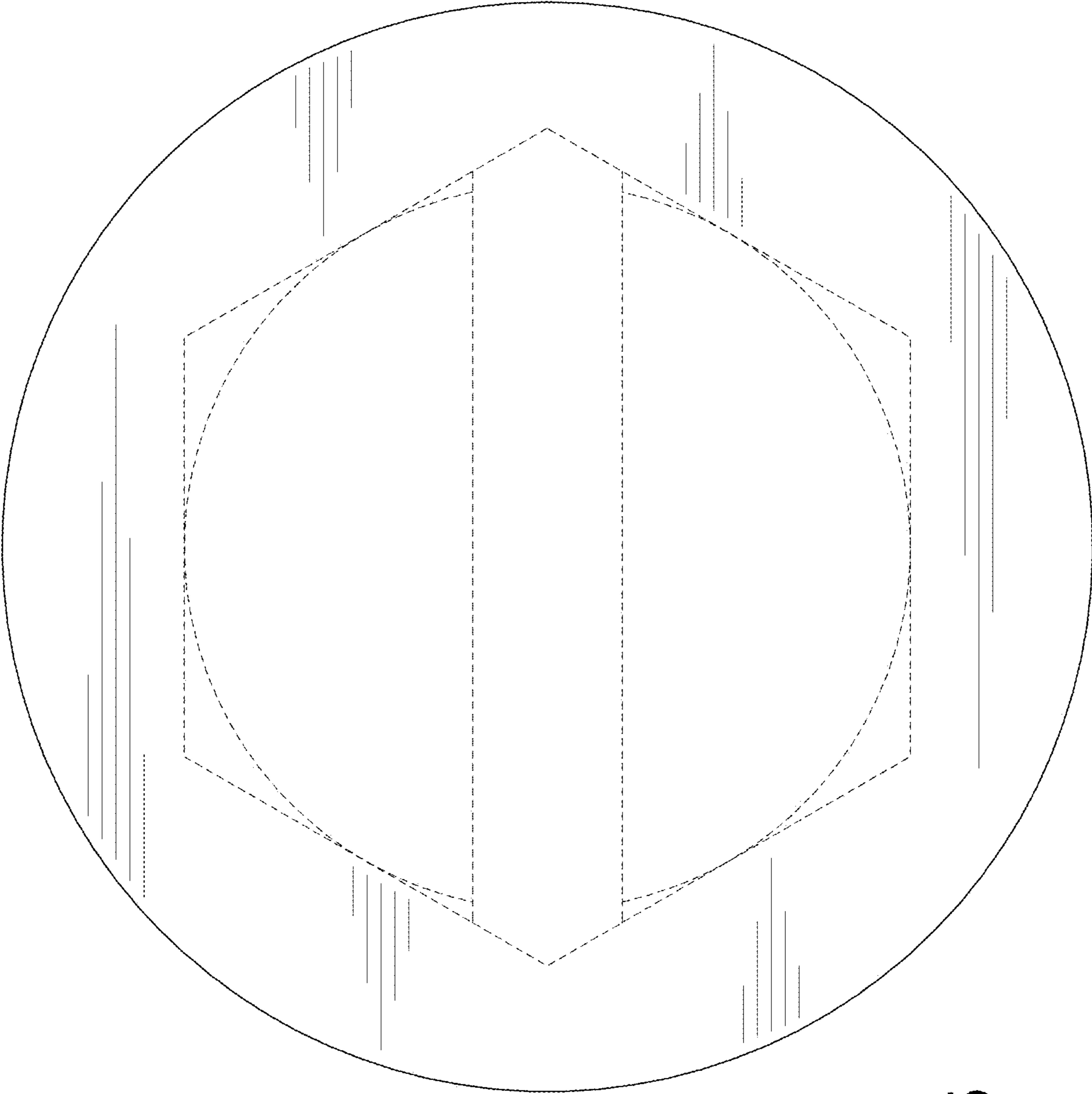


FIG. 5

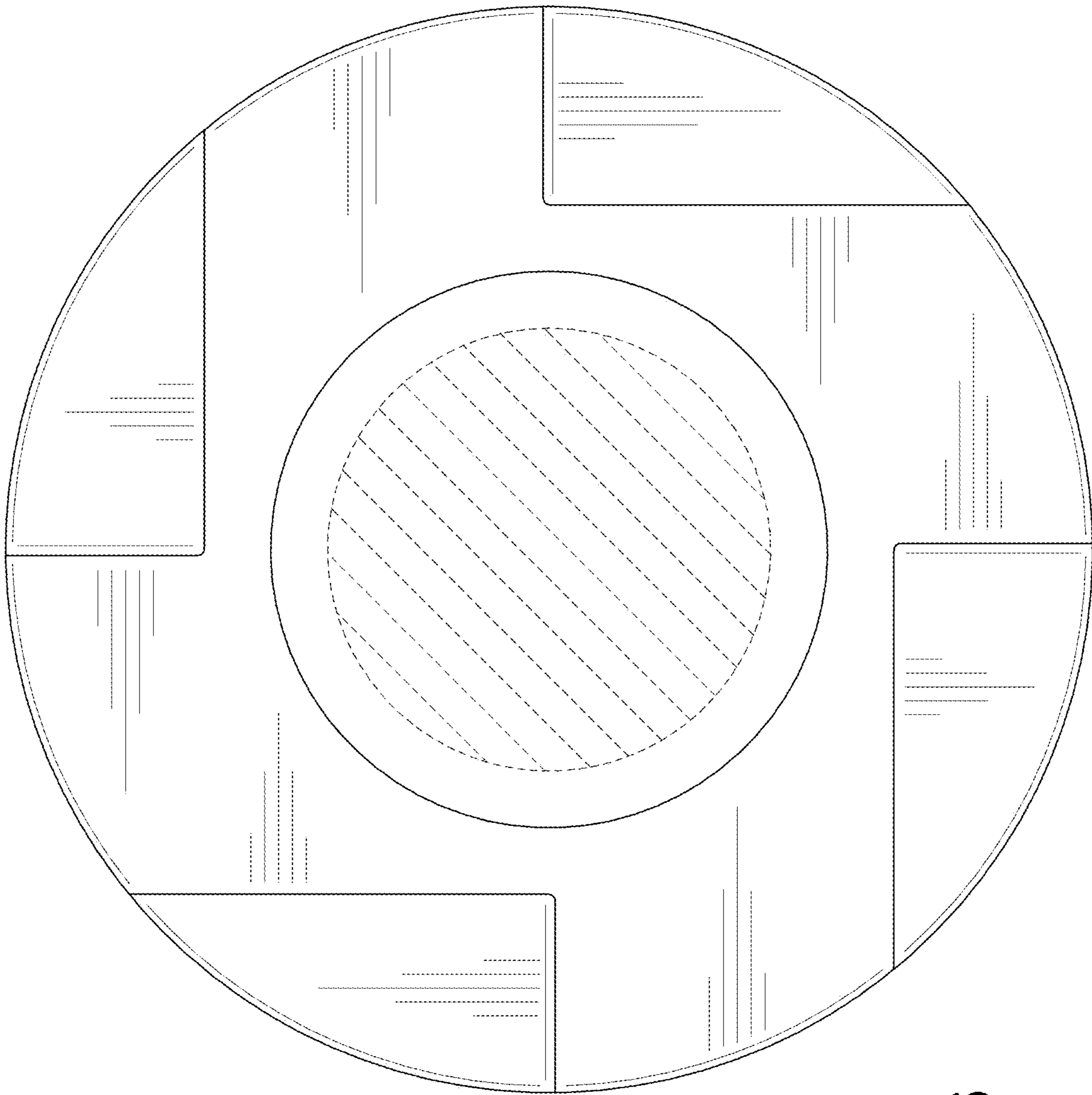


FIG. 6