



US00D951079S

(12) **United States Design Patent**
Yu

(10) **Patent No.:** **US D951,079 S**

(45) **Date of Patent:** **** May 10, 2022**

(54) **CURTAIN HOLDBACK TIE**

(71) Applicant: **Xiuqin Yu**, Shangrao (CN)

(72) Inventor: **Xiuqin Yu**, Shangrao (CN)

(**) Term: **15 Years**

(21) Appl. No.: **29/782,742**

(22) Filed: **May 8, 2021**

(51) **LOC (13) Cl.** **08-05**

(52) **U.S. Cl.**
USPC **D8/368**

(58) **Field of Classification Search**
USPC D8/367, 356, 354, 349, 18, 105, 368;
248/341; 224/217; 24/1, 702
CPC A45F 5/021; A44B 13/0029; F16B 45/00;
F16M 13/02
See application file for complete search history.

D519,310 S * 4/2006 Schorling D6/580
D573,875 S * 7/2008 Anderson D8/367
D583,664 S * 12/2008 Franzone, Jr. D9/434
D597,825 S * 8/2009 Ho D8/367
D618,536 S * 6/2010 Eason D8/349
7,771,221 B1 * 8/2010 Blackwell H01R 13/52
439/282
7,954,515 B2 * 6/2011 Gerst F16L 55/1141
138/89
D642,450 S * 8/2011 Freese D8/367
8,534,626 B1 * 9/2013 Freese A47G 29/083
248/305
D721,570 S * 1/2015 Caughron D8/367
9,084,502 B2 * 7/2015 Lapadula A47H 19/00
D762,589 S * 8/2016 Sanfleben B60D 1/58
D13/156
D787,303 S * 5/2017 Garvin D8/367
D795,678 S * 8/2017 Early D8/367
D813,654 S * 3/2018 Erickson D8/367

(Continued)

Primary Examiner — Cynthia R Underwood
(74) *Attorney, Agent, or Firm* — Zhihua Han; Wen IP LLC

(56) **References Cited**

U.S. PATENT DOCUMENTS

1,377,066 A * 5/1921 Garrabrant A47H 19/00
24/1
2,365,664 A * 12/1944 Troensegaard A47H 19/00
160/349.2
2,473,086 A * 6/1949 Montero A47G 29/083
248/308
2,840,155 A * 6/1958 Stern A47H 13/00
160/124
D221,056 S * 7/1971 Minoff D8/367
4,558,495 A * 12/1985 Olsen B23B 45/006
24/16 PB
D286,261 S * 10/1986 Smederod 160/349.2
D296,299 S * 6/1988 Bussell D10/32
D357,624 S * 4/1995 Ferdman D8/368
D366,999 S * 2/1996 Ferdman D8/368
D379,920 S * 6/1997 Bozzo D8/368
5,670,221 A * 9/1997 Bried A47H 1/02
52/655.2
D475,278 S * 6/2003 Williams D3/328

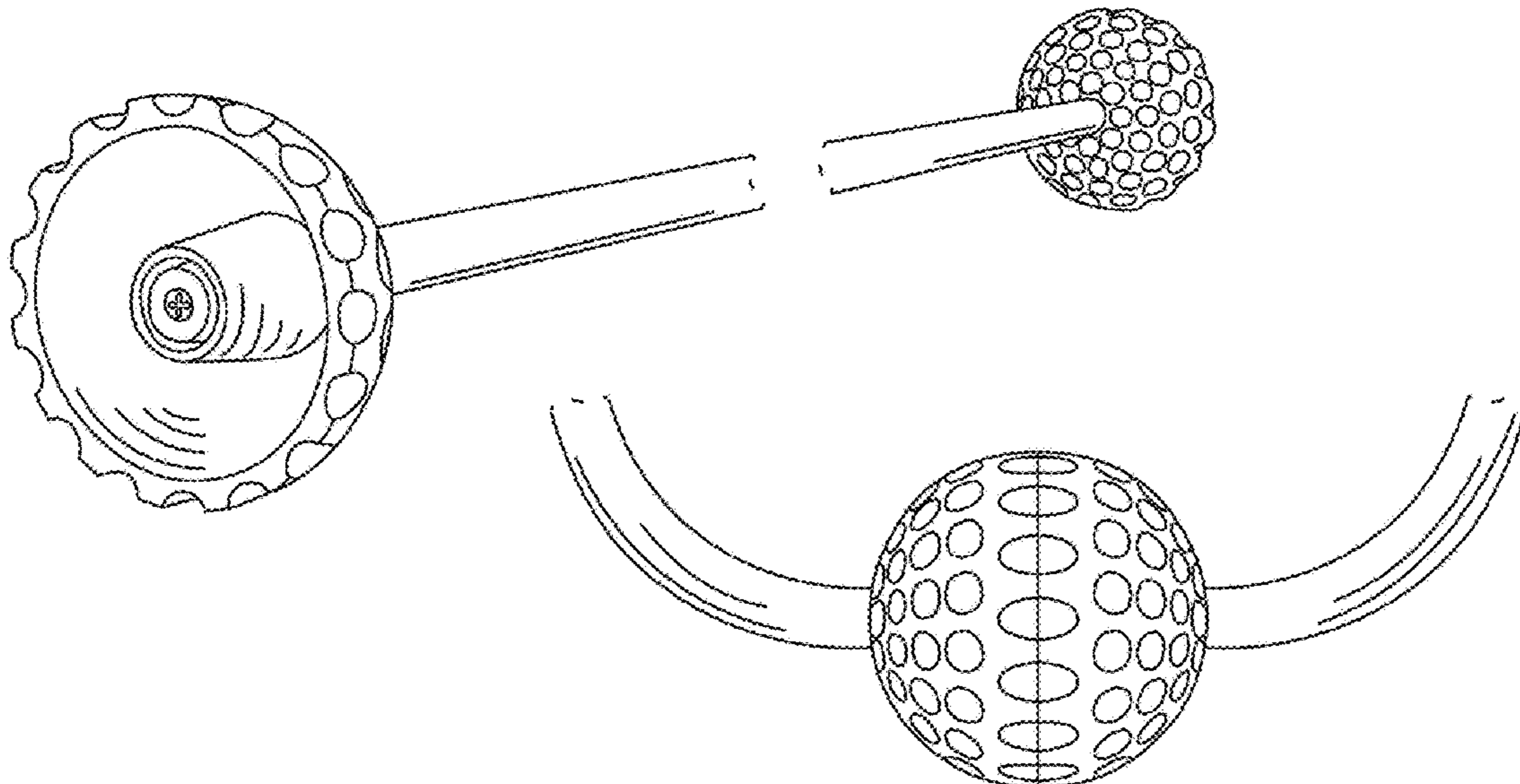
(57) **CLAIM**

The ornamental design for a curtain holdback tie, as shown and described.

DESCRIPTION

FIG. 1 is a perspective view of a curtain holdback tie, shown open in a first configuration;
FIG. 2 is a front elevation view thereof; a rear elevation view, a top plan view, and a bottom plan view being the same;
FIG. 3 is a left side elevation view thereof; the right side elevation view being the same; and,
FIG. 4 is a front elevation view thereof, shown closed in a second configuration.
The broken lines represent portions of the structure that forms no part of the claim.

1 Claim, 4 Drawing Sheets



(56)

References Cited

U.S. PATENT DOCUMENTS

D838,060	S *	1/2019	Bitar	D30/153
D848,246	S *	5/2019	Jones	D8/368
D866,304	S	11/2019	Qi	
D868,568	S *	12/2019	Elliott	D8/367
D891,233	S *	7/2020	Yu	D8/367
10,746,324	B1 *	8/2020	Roth	F16G 11/143
D910,424	S	2/2021	Yu	
D911,154	S *	2/2021	Jiao	D8/368
D915,182	S	4/2021	Zhan	
D918,022	S *	5/2021	Yu	D8/368
D924,671	S *	7/2021	Yan	D8/368
D924,672	S *	7/2021	Zhang	D8/368
2002/0151930	A1 *	10/2002	Mills	A61H 39/04 606/204
2019/0101152	A1 *	4/2019	Turbenson	F16B 45/00

* cited by examiner

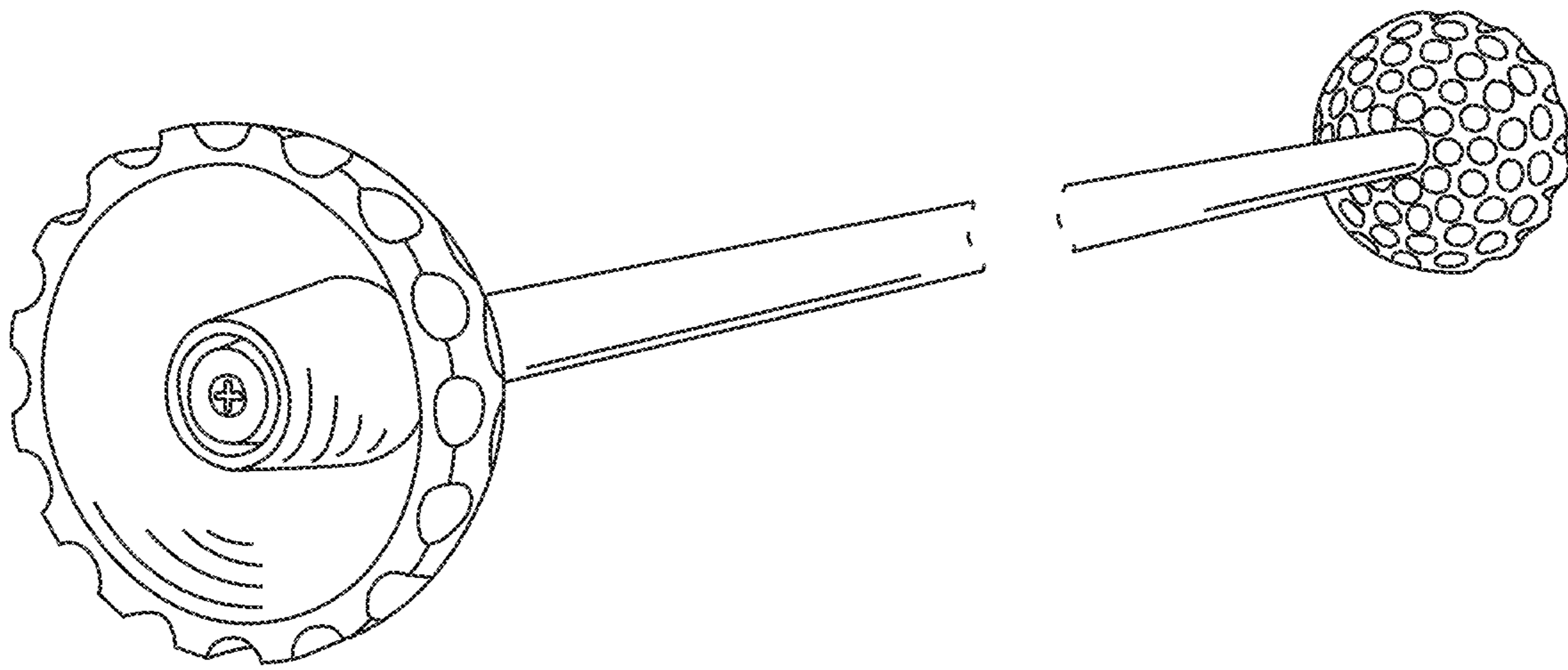


FIG. 1

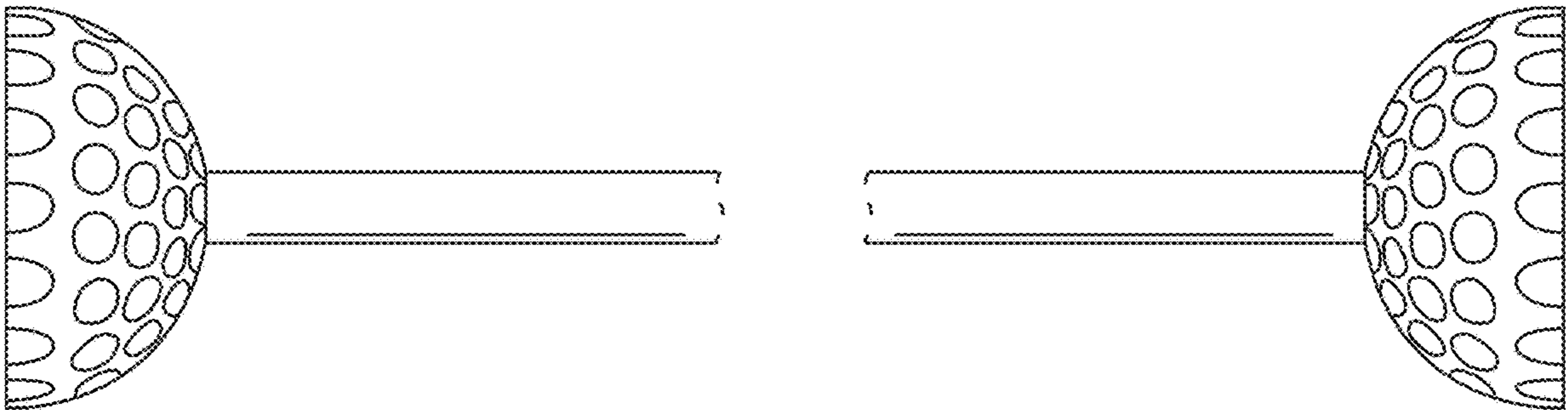


FIG. 2

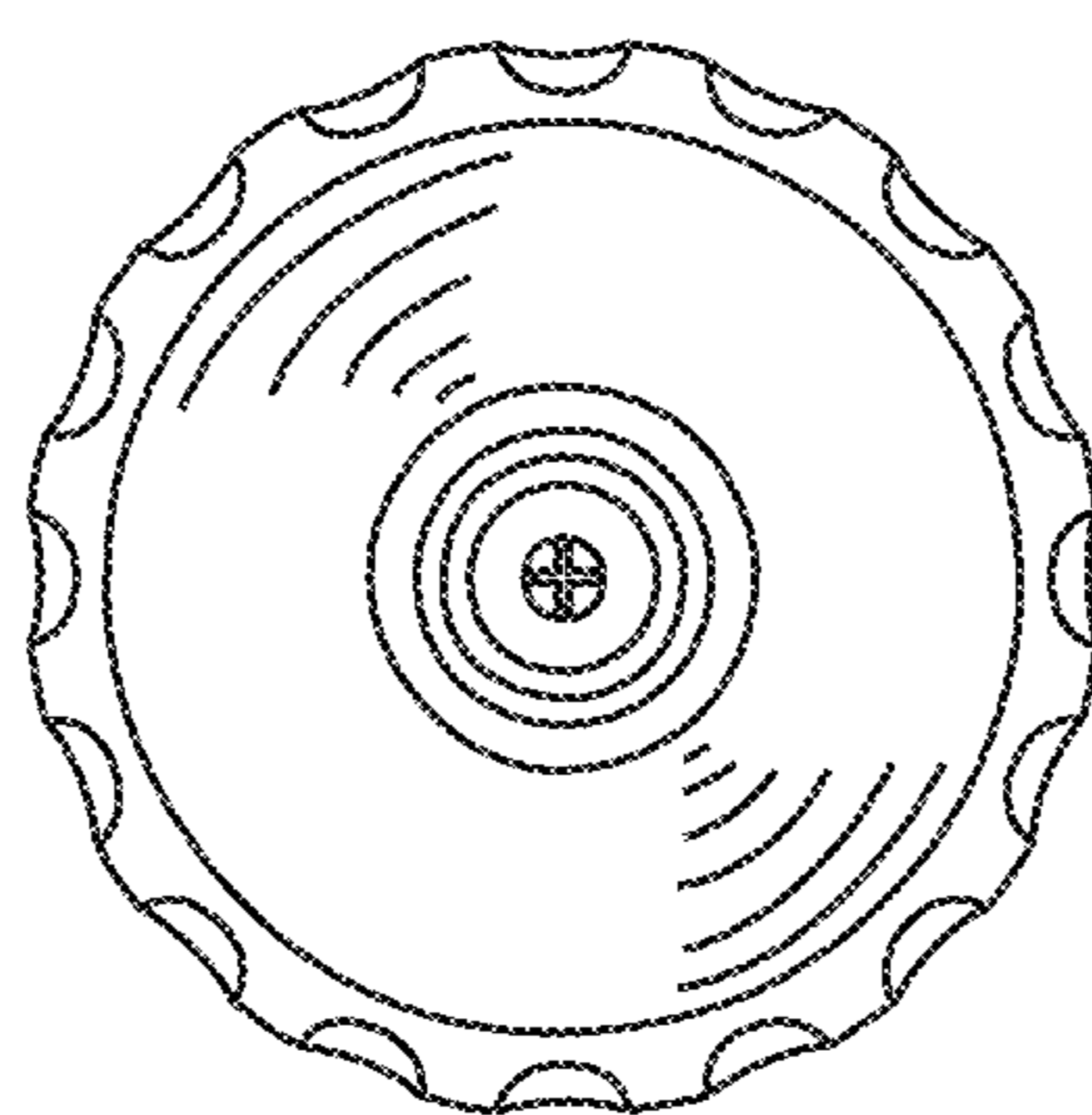


FIG. 3

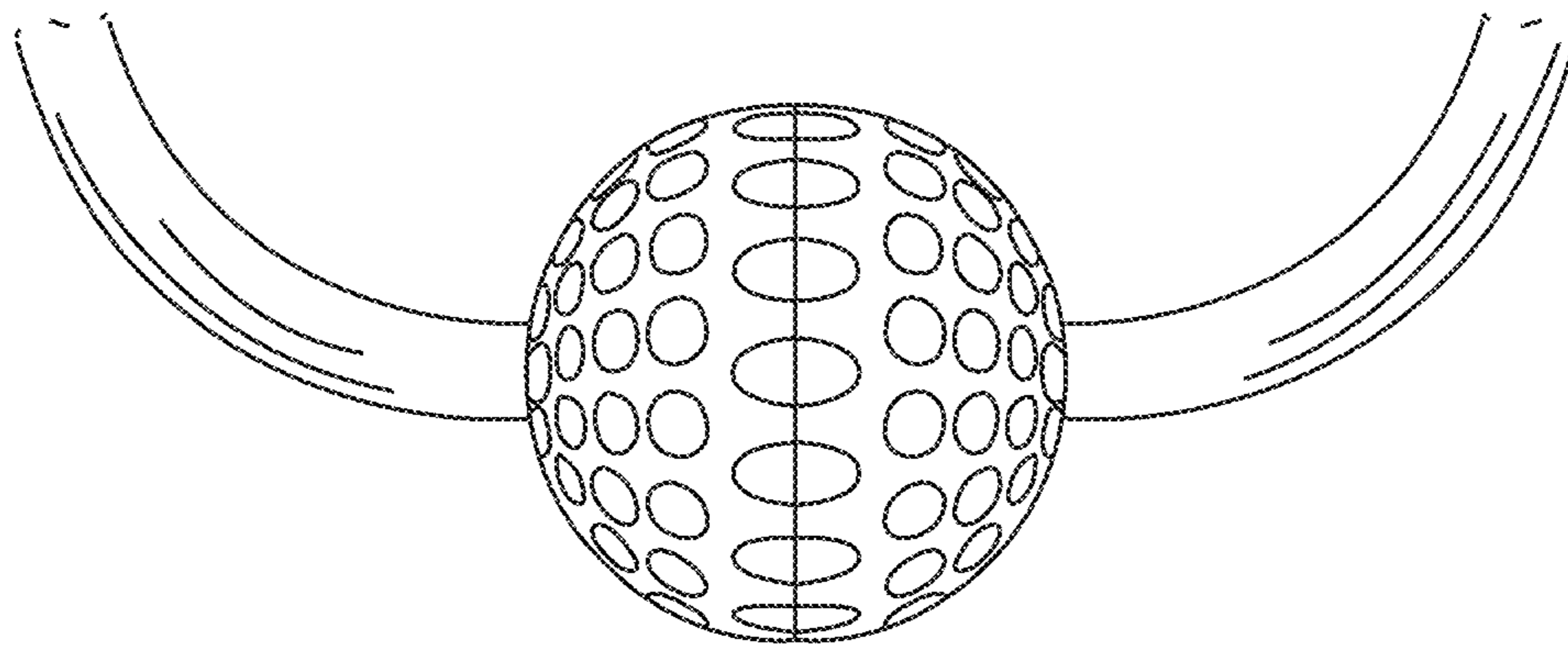


FIG. 4