



US00D951078S

(12) **United States Design Patent**
Wang

(10) **Patent No.:** **US D951,078 S**

(45) **Date of Patent:** **** May 10, 2022**

(54) **HOOK**

(71) Applicant: **SHENZHEN BOCUI TRADING CO., LTD.**, Shenzhen (CN)

(72) Inventor: **Bo Wang**, Nanyang (CN)

(73) Assignee: **SHENZHEN BOCUI TRADING CO., LTD.**, Shenzhen (CN)

(**) Term: **15 Years**

(21) Appl. No.: **29/796,998**

(22) Filed: **Jun. 28, 2021**

(51) **LOC (13) Cl.** **08-11**

(52) **U.S. Cl.**
USPC **D8/367; D8/387**

(58) **Field of Classification Search**
USPC D8/367, 370, 387
CPC F16B 35/06; F16B 23/00; F16B 45/00;
F16B 45/04; F16B 45/06
See application file for complete search history.

(56) **References Cited**

U.S. PATENT DOCUMENTS

4,964,602	A *	10/1990	Reinhard	F16B 35/06 248/217.4
5,207,404	A *	5/1993	Reinhard	F16B 35/06 248/217.4
D413,791	S *	9/1999	May	D8/387
6,484,888	B2 *	11/2002	Miller	B62H 3/12 211/5
6,558,389	B2 *	5/2003	Clark	A61F 2/0811 606/232
D605,500	S *	12/2009	Lee	D8/387
D611,803	S *	3/2010	Lien	D8/387
7,726,619	B2 *	6/2010	Lien	F16B 35/06 248/302
D652,287	S *	1/2012	Woller	D8/387
D764,682	S *	8/2016	Bussewitz	D25/69
D801,161	S	10/2017	Xiao		

D842,079	S	3/2019	Betzler	
10,383,462	B2 *	8/2019	Arakawa F16G 15/04
D893,984	S *	8/2020	Rateliff D8/367
D899,233	S *	10/2020	Tang D8/367
D912,821	S *	3/2021	Serbousek D8/387
D917,266	S *	4/2021	Winnie D8/367
D926,558	S *	8/2021	Zeng D8/367

(Continued)

Primary Examiner — Cynthia R Underwood

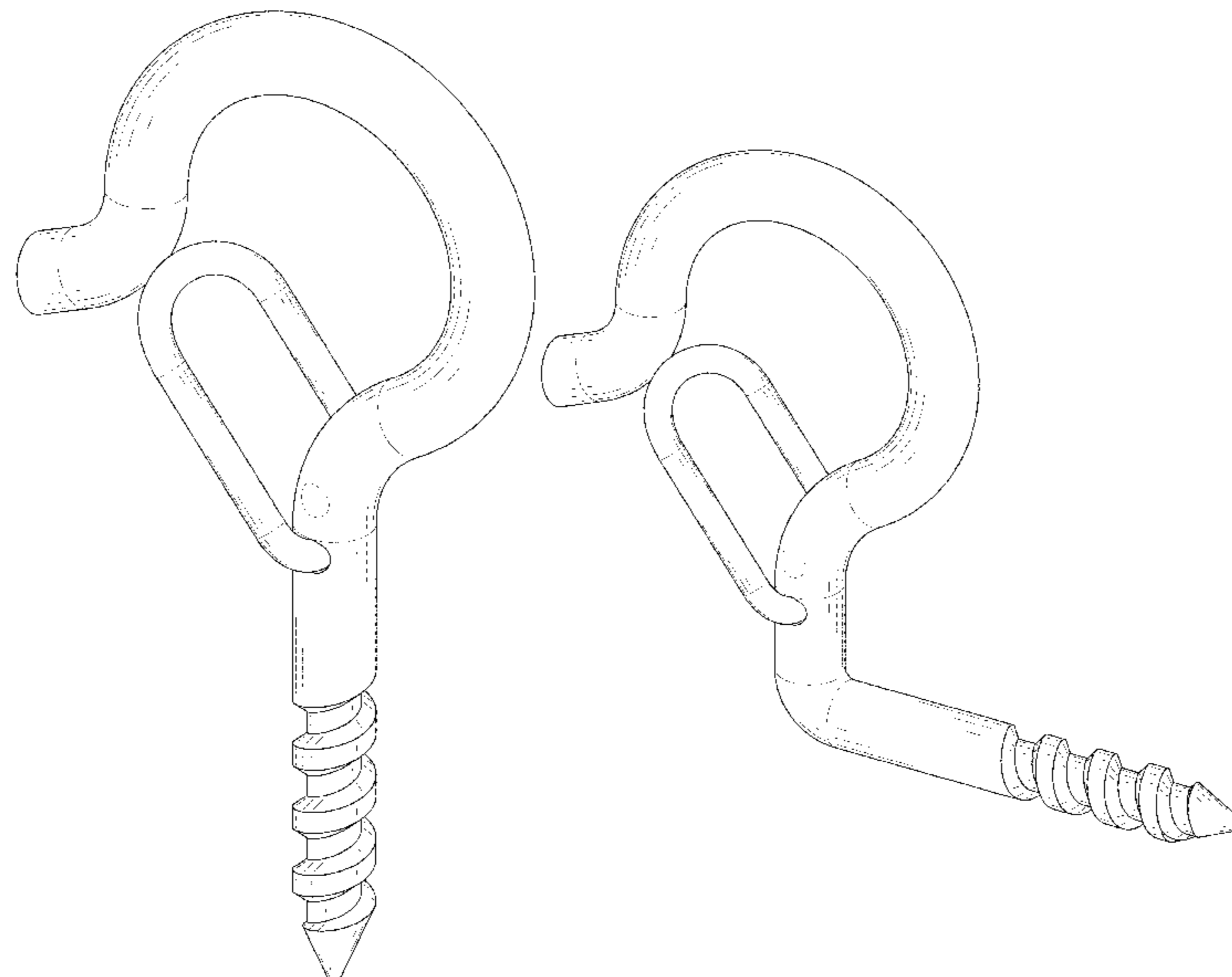
(57) **CLAIM**

The ornamental design for a hook, as shown and described.

DESCRIPTION

FIG. 1 is a perspective view of a first embodiment of a hook showing my new design;
 FIG. 2 is another perspective view thereof;
 FIG. 3 is a front elevational view thereof;
 FIG. 4 is a rear elevational view thereof;
 FIG. 5 is a left side elevational view thereof;
 FIG. 6 is a right side elevational view thereof;
 FIG. 7 is a top plan view thereof;
 FIG. 8 is a bottom plan view thereof;
 FIG. 9 is a perspective view of the hook where the hook is in a configuration of use;
 FIG. 10 is a perspective view of a second embodiment of the hook showing my new design;
 FIG. 11 is another perspective view thereof;
 FIG. 12 is a front elevational view thereof;
 FIG. 13 is a rear elevational view thereof;
 FIG. 14 is a left side elevational view thereof;
 FIG. 15 is a right side elevational view thereof;
 FIG. 16 is a top plan view thereof;
 FIG. 17 is a bottom plan view thereof; and,
 FIG. 18 is a perspective view of the hook where the hook is in a configuration of use.
 The broken lines in the drawings depict portions of the hook that form no part of the claimed design.

1 Claim, 18 Drawing Sheets



(56)

References Cited

U.S. PATENT DOCUMENTS

D946,379 S * 3/2022 Zhao D8/354
2013/0058736 A1* 3/2013 Auchey F16B 25/103
411/387.4
2016/0363158 A1* 12/2016 Pool F16B 23/0007

* cited by examiner

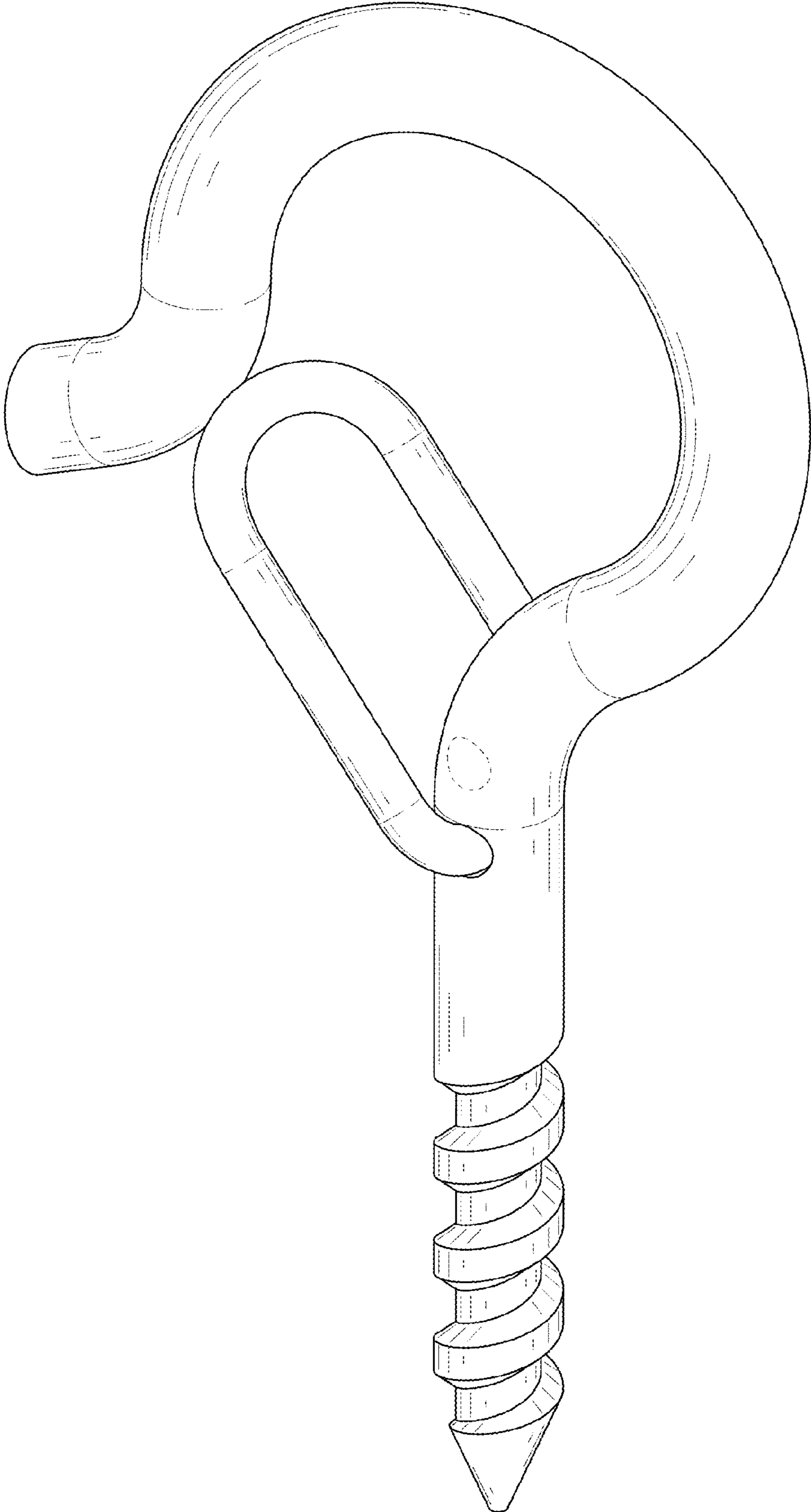


FIG. 1

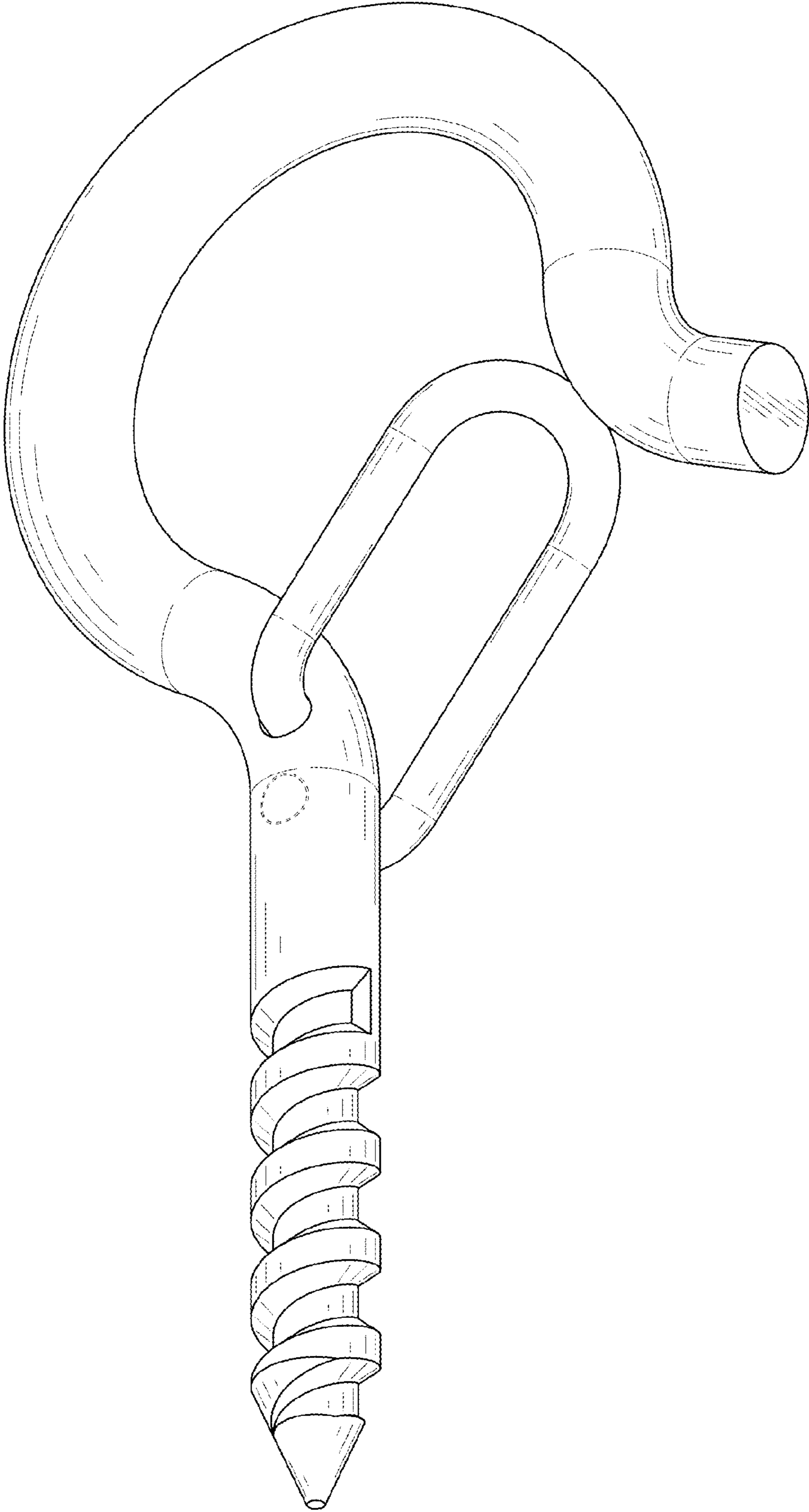


FIG. 2

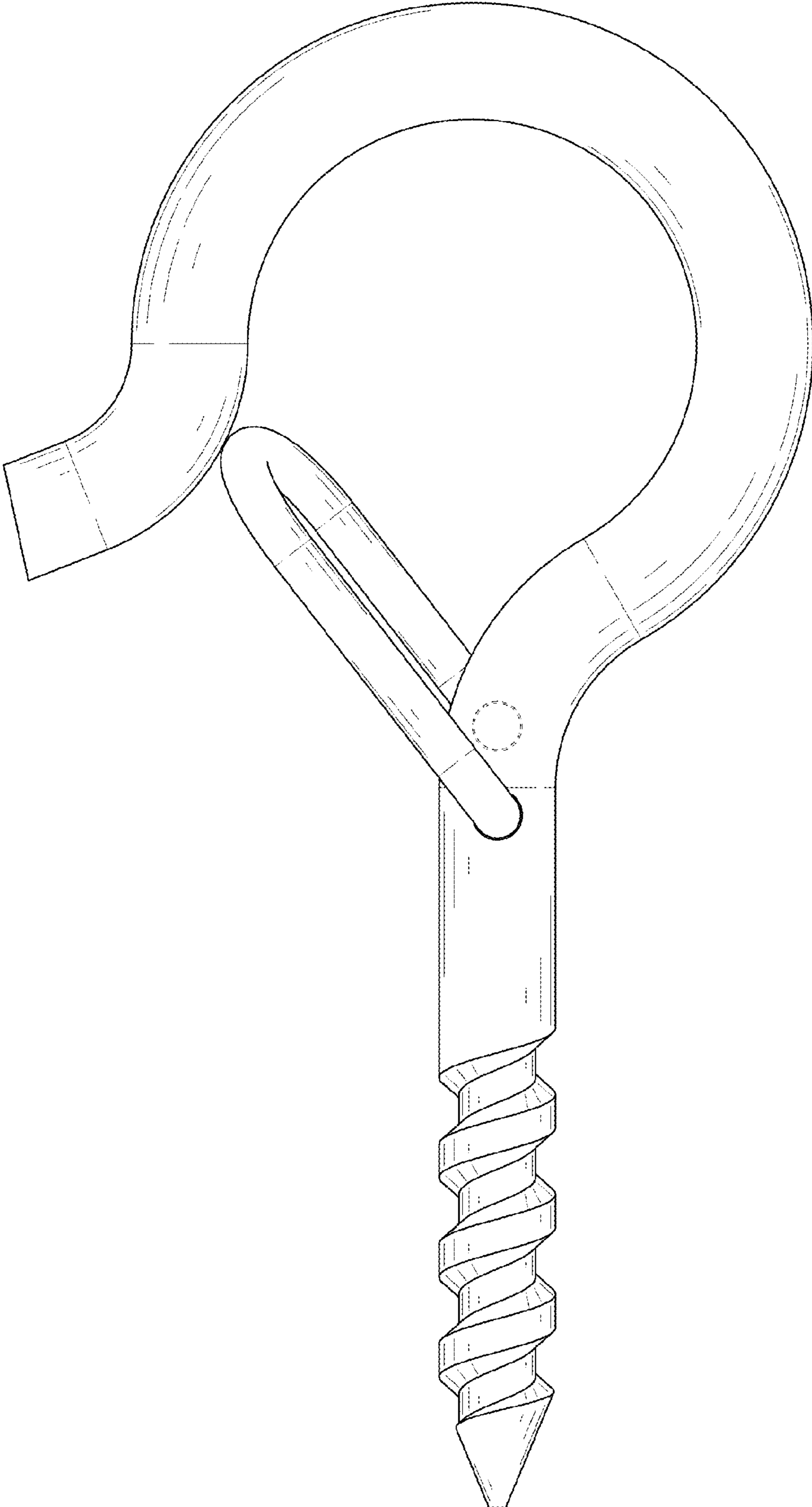


FIG. 3

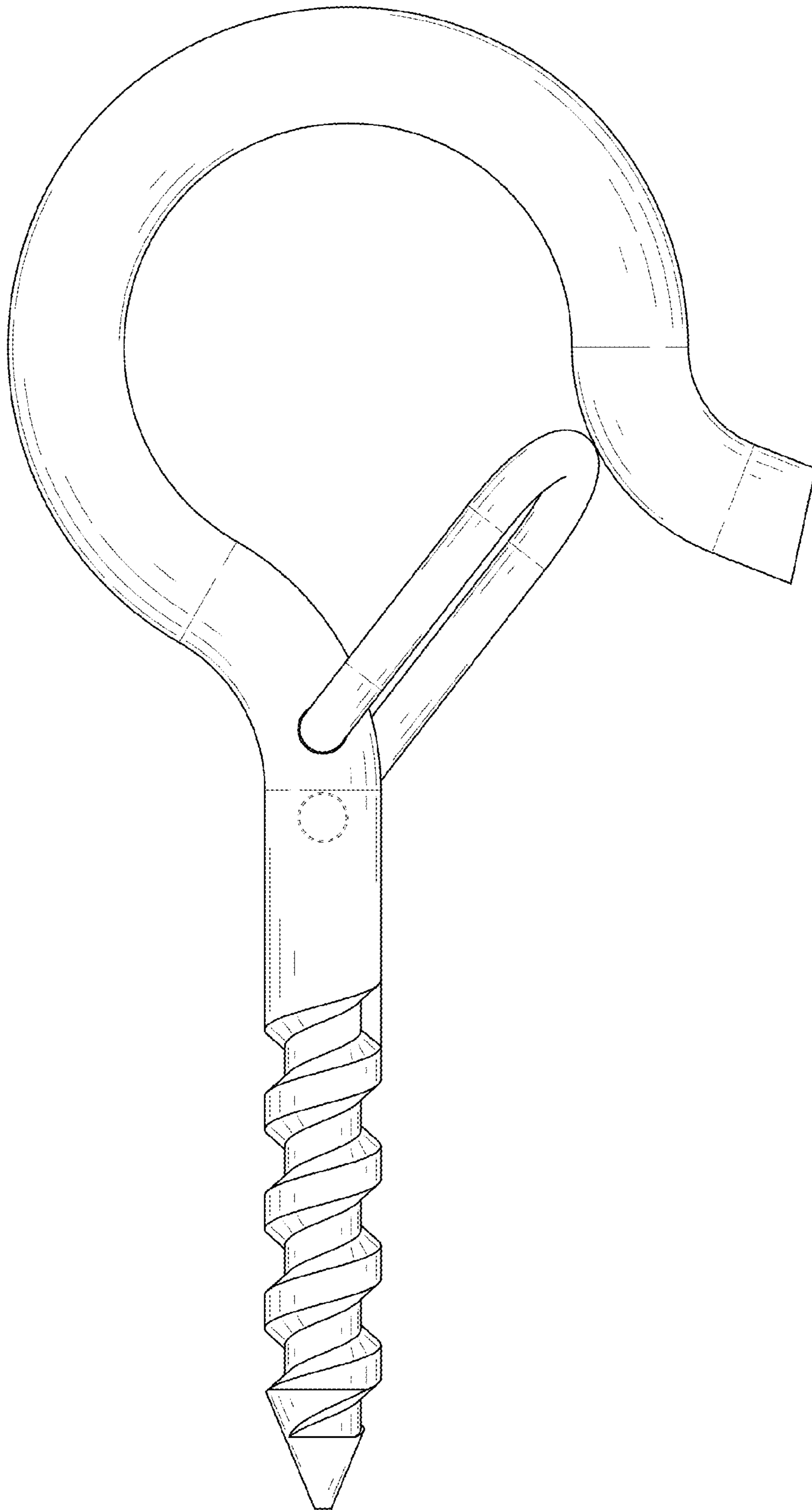


FIG. 4

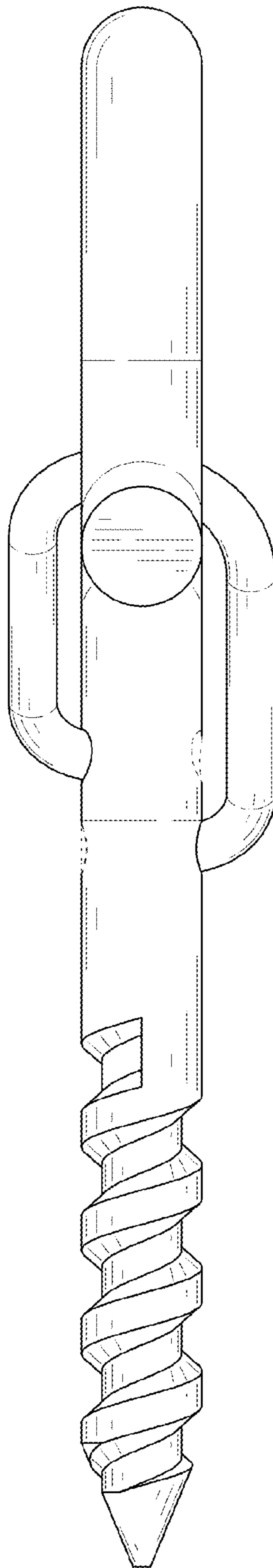


FIG. 5

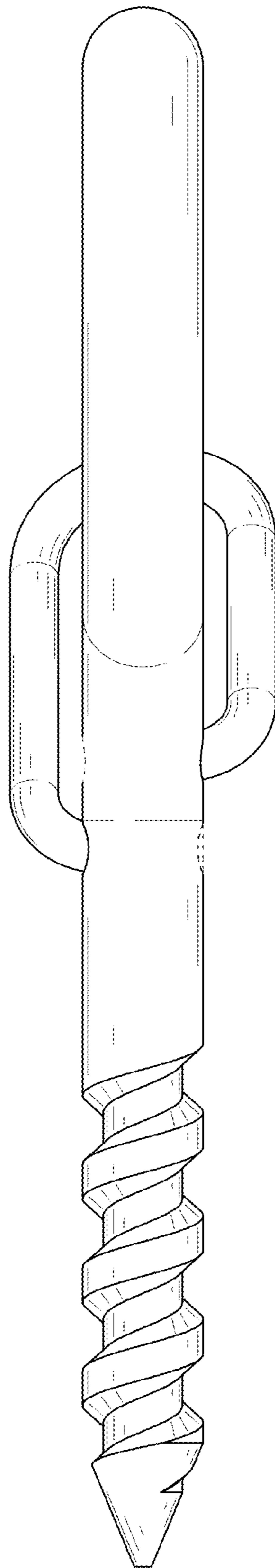


FIG. 6

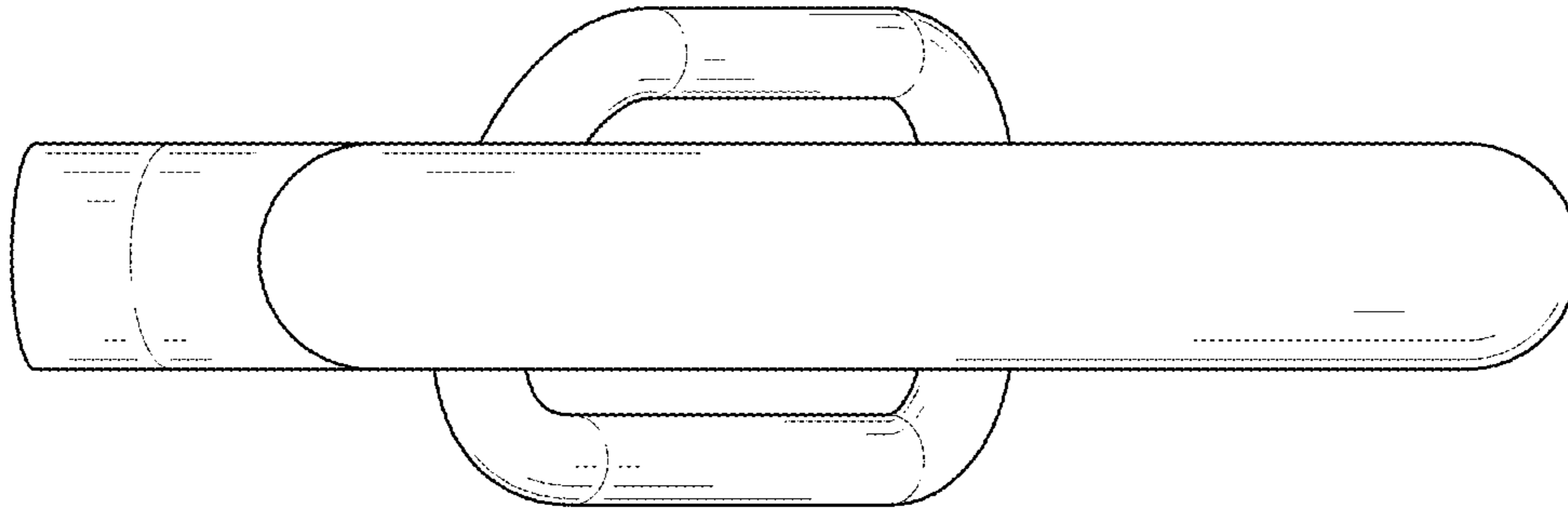


FIG. 7

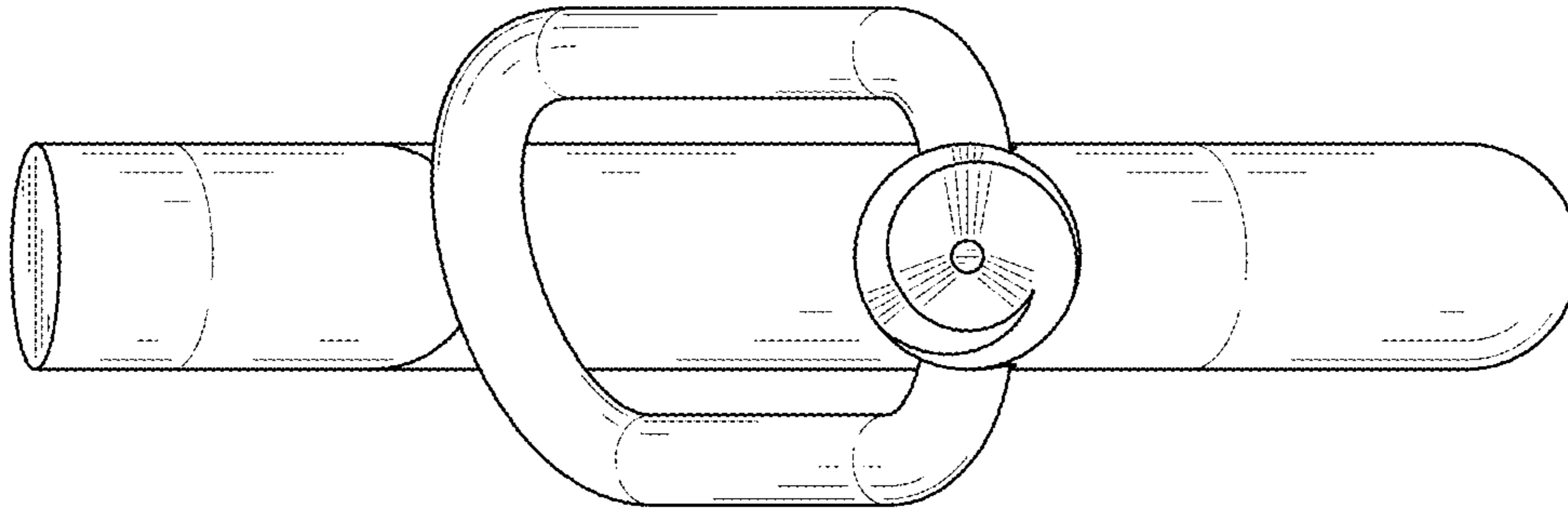


FIG. 8

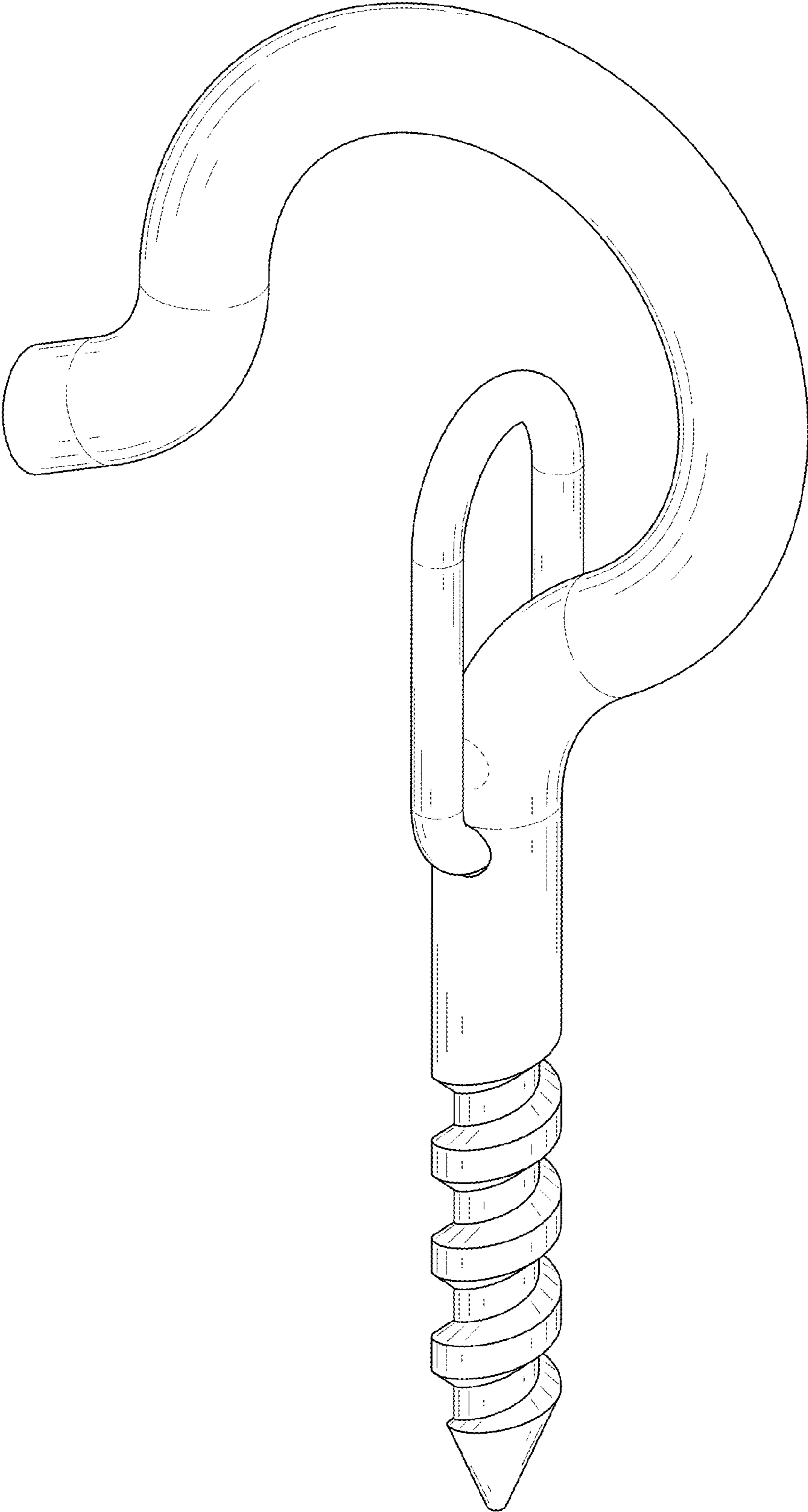


FIG. 9

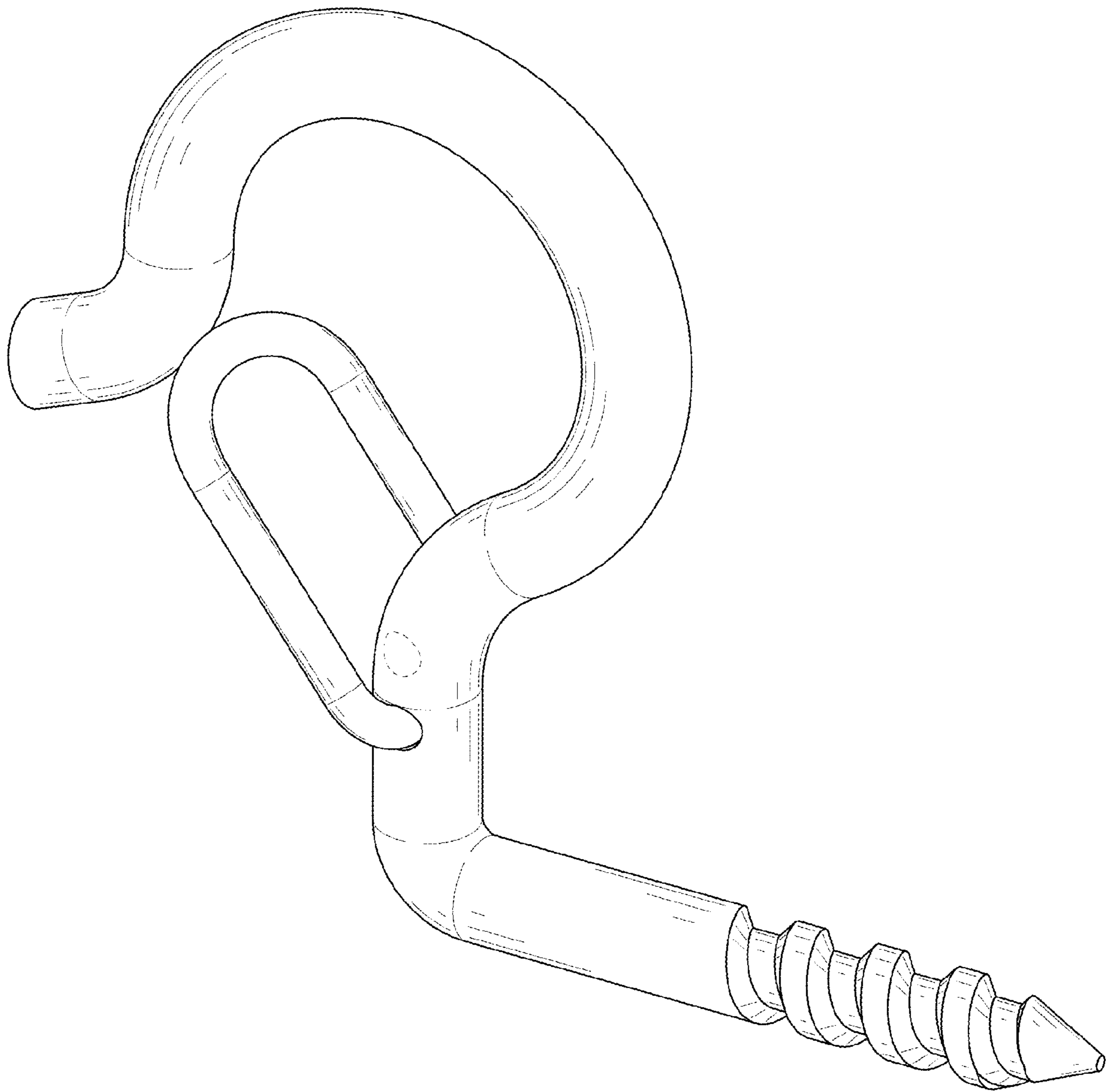


FIG. 10

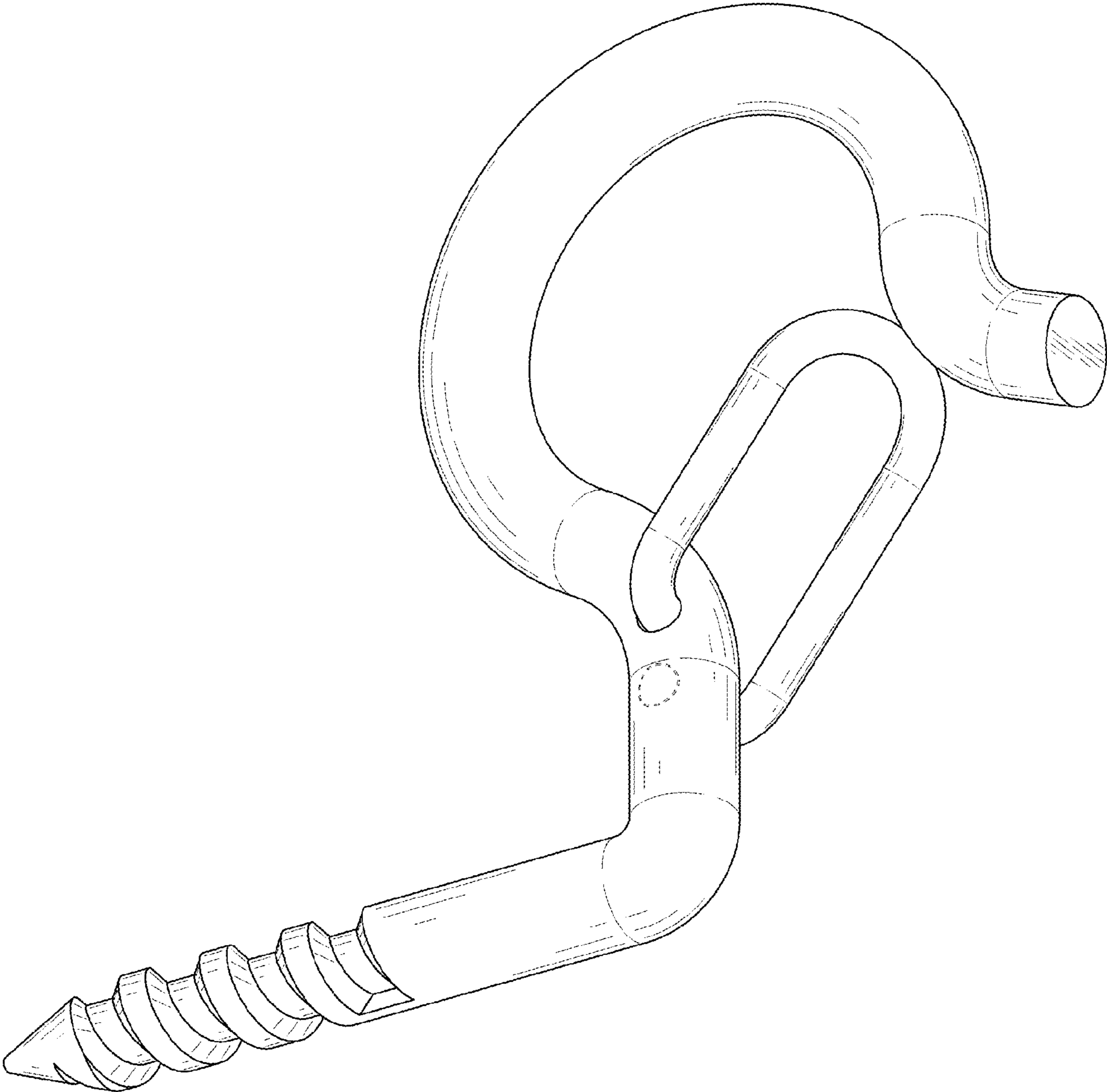


FIG. 11

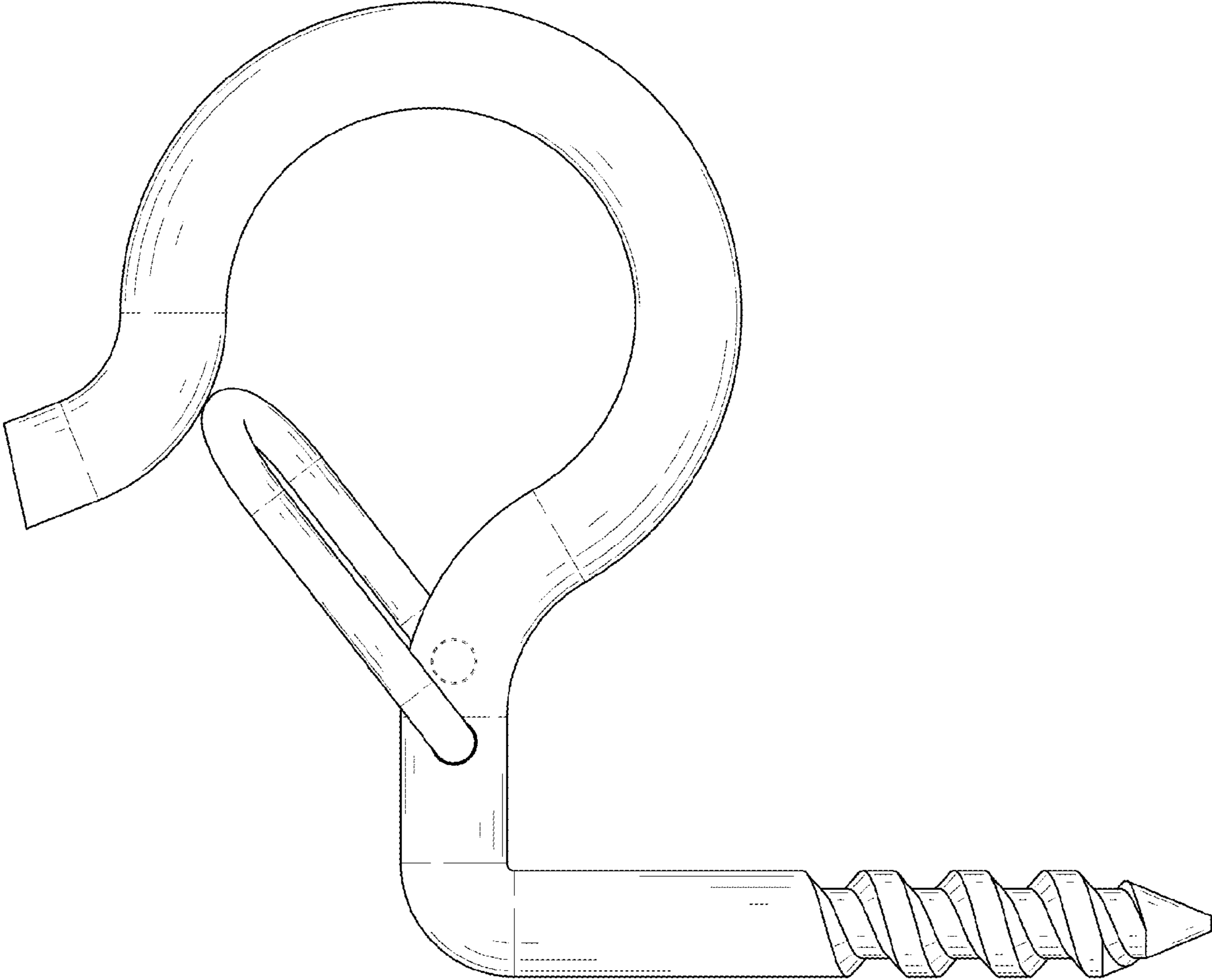


FIG. 12

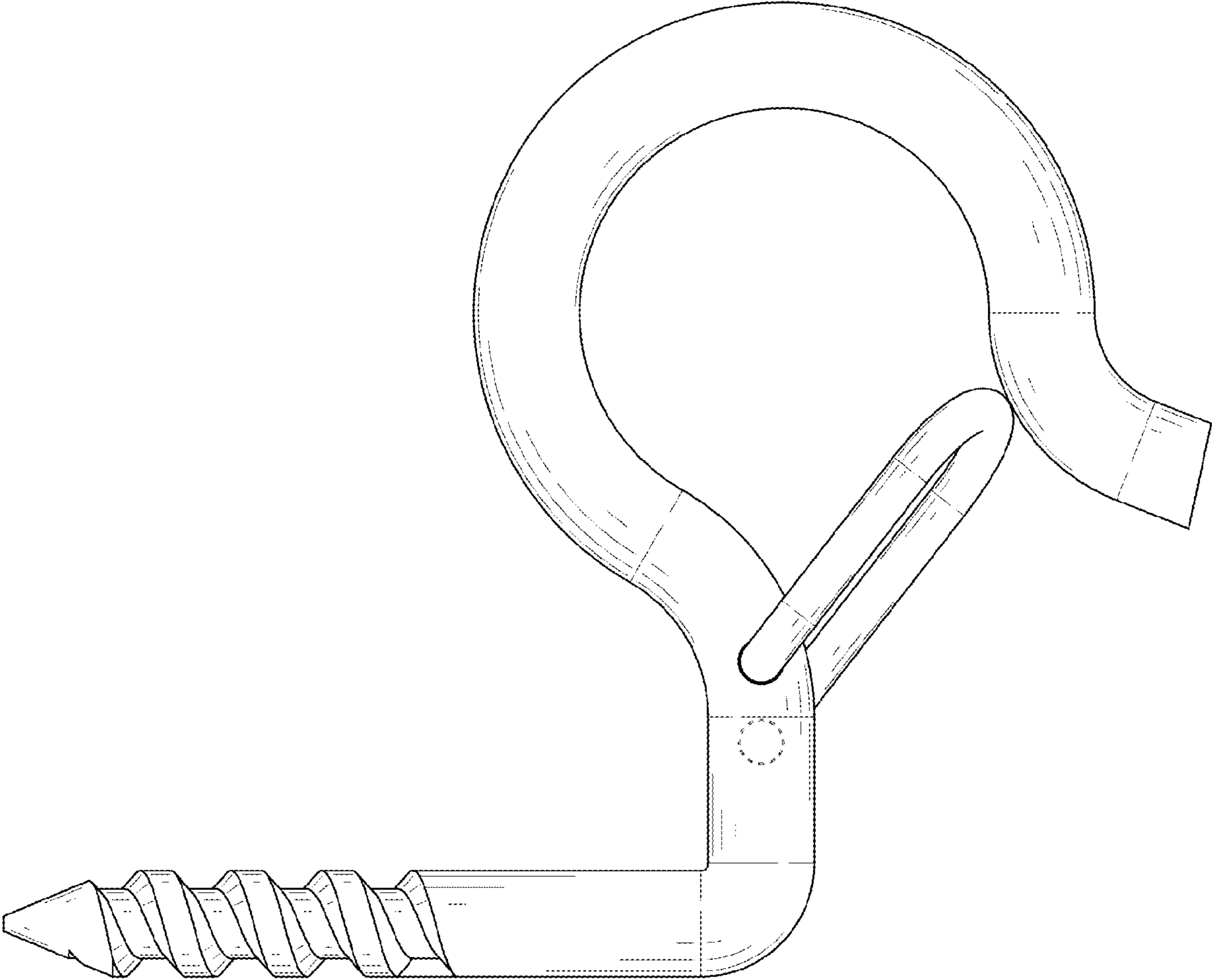


FIG. 13

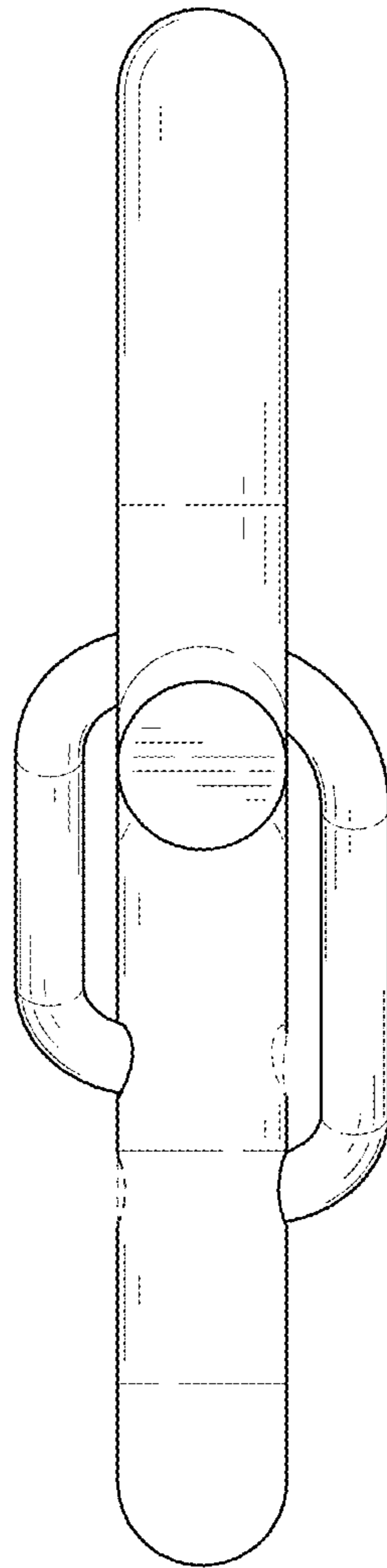


FIG. 14

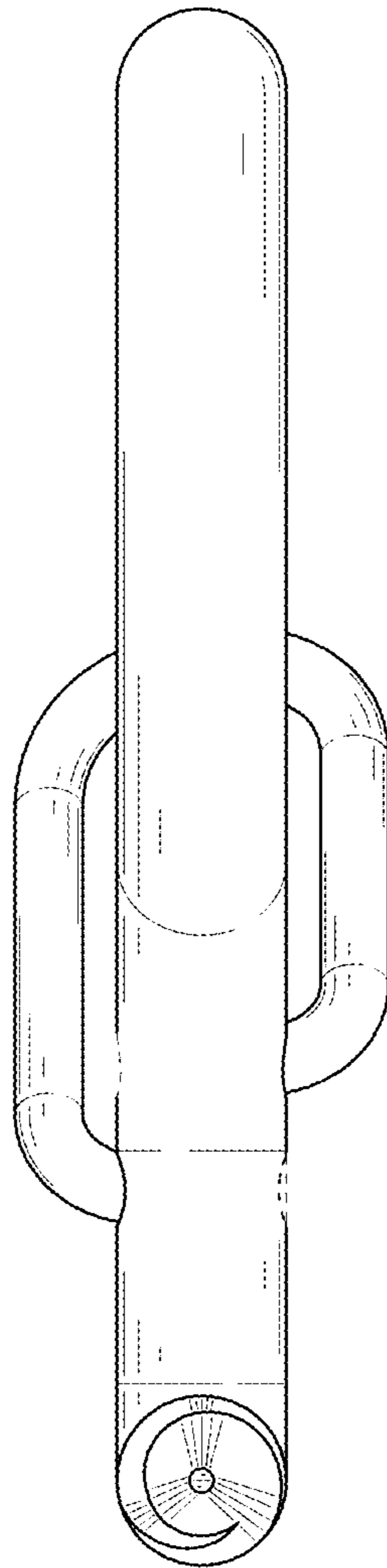


FIG. 15

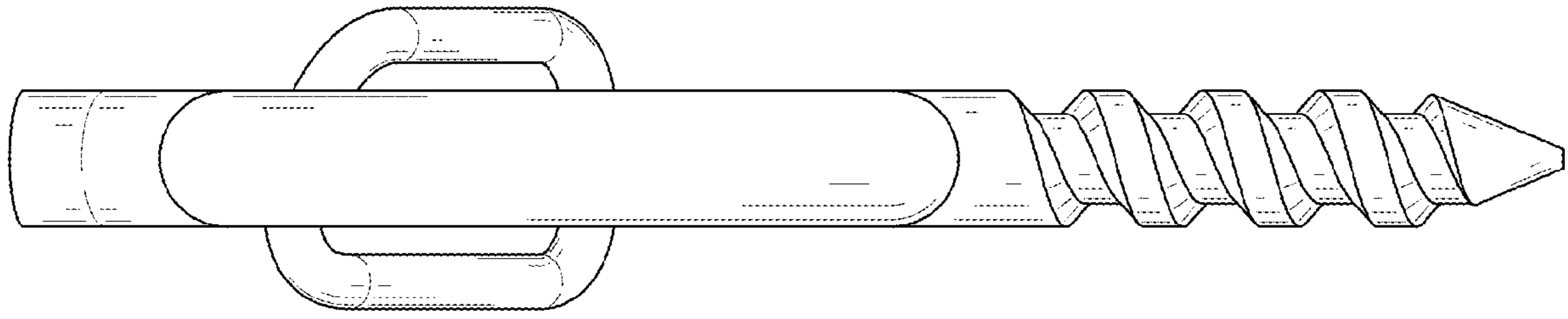


FIG. 16

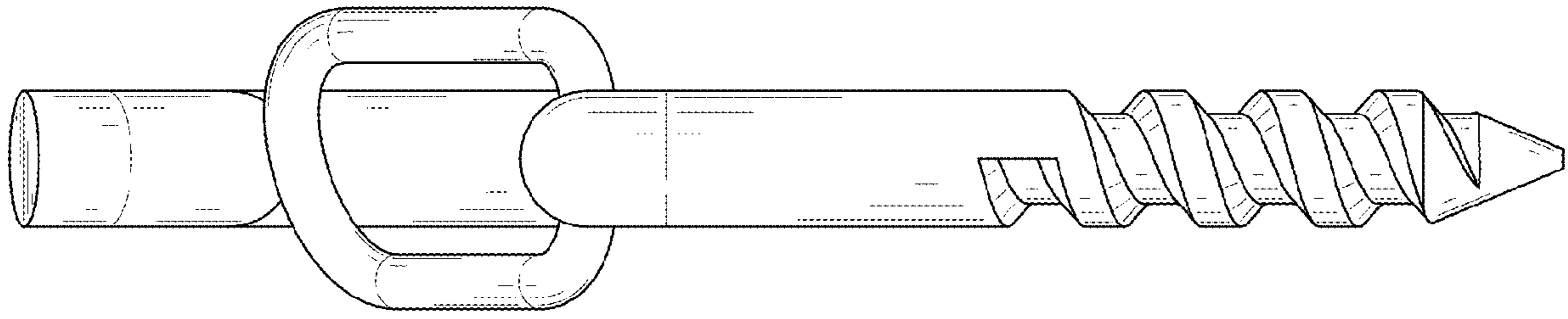


FIG. 17

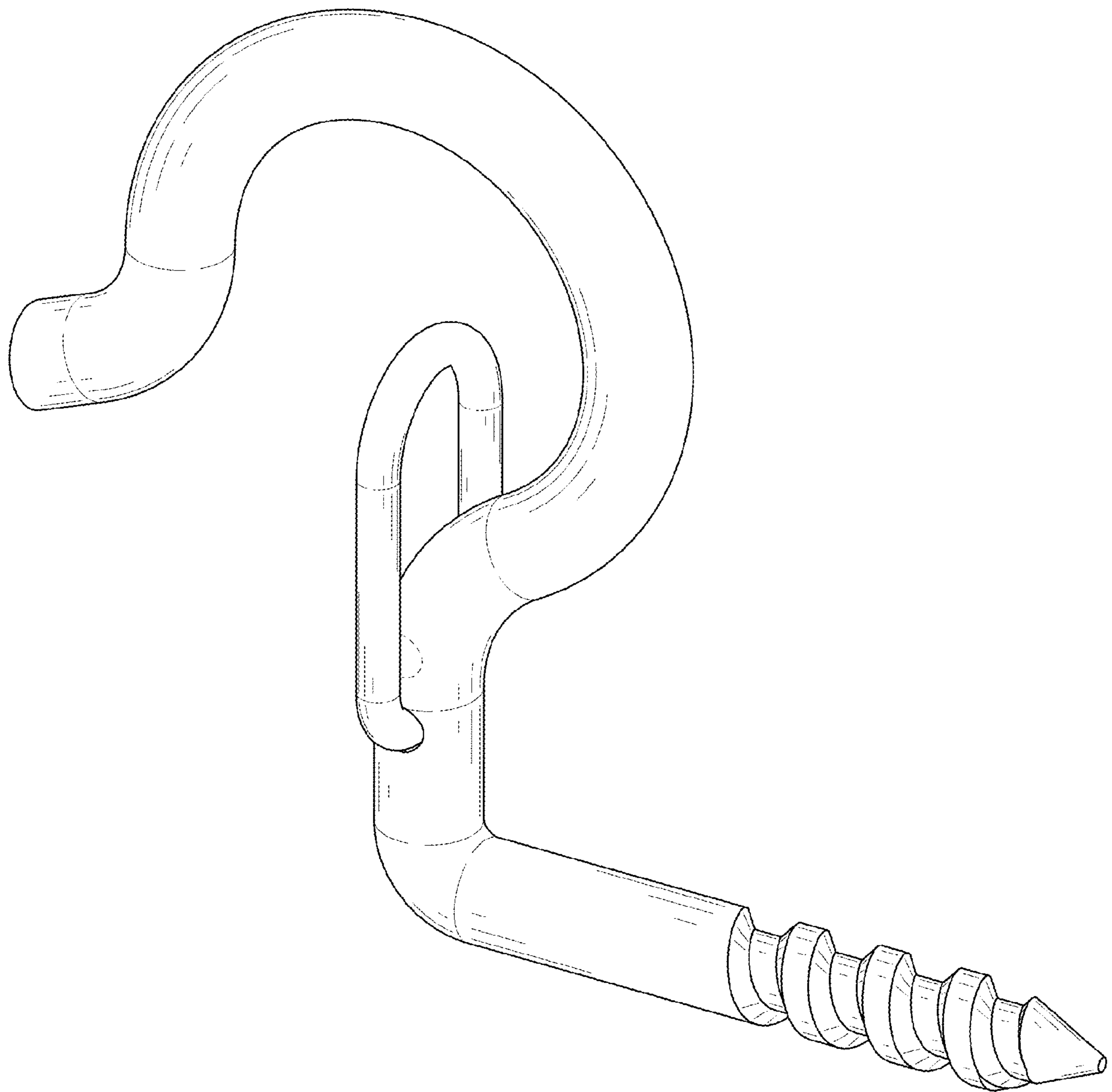


FIG. 18