



US00D951074S

(12) **United States Design Patent**
Sanders

(10) **Patent No.:** **US D951,074 S**

(45) **Date of Patent:** **** May 10, 2022**

(54) **HOOK**

(71) Applicant: **Kenneth Sanders**, Rogers, AR (US)

(72) Inventor: **Kenneth Sanders**, Rogers, AR (US)

(**) Term: **15 Years**

(21) Appl. No.: **29/749,155**

(22) Filed: **Sep. 3, 2020**

(51) **LOC (13) Cl.** **08-05**

(52) **U.S. Cl.**
USPC **D8/367**

(58) **Field of Classification Search**

USPC D8/370–373, 367, 365, 349, 323, 387,
D8/382, 356; D11/202, 206–207, 212,
D11/231; D22/199, 125–126, 129;
D6/323

CPC A47F 5/0823; A47F 5/0853; A47F 5/0869;
A47F 5/0876; A47F 5/0006; A47F
5/0068; A47F 5/0807; A47F 2005/0012;
A47F 5/00; A47F 5/02; A47F 5/0815;
A47F 5/0846; A47F 5/0884; A47F
7/0064; A47F 7/02; A47F 7/148; A47H
13/04; A47H 1/03; A47H 1/14; A47H
1/06; A47H 1/08; A47H 1/122; A47H
13/00; A47H 13/01; A47H 13/02; A47H
13/06; A47H 15/02; A47H 2001/0205;
A47H 2001/042; A47H 2001/045

See application file for complete search history.

(56) **References Cited**

U.S. PATENT DOCUMENTS

D268,005 S *	2/1983	Levine	D8/367
D464,560 S *	10/2002	Kalat	D8/370
D472,795 S *	4/2003	Saxby	D8/367
D547,638 S *	7/2007	Petersen	D8/367
D605,704 S	12/2009	Elsea		
D611,803 S *	3/2010	Lien	D8/387
D653,462 S	2/2012	Trexler		

8,191,849 B1	6/2012	Lembke		
D703,517 S *	4/2014	Stromberg	D8/370
D706,617 S *	6/2014	Hendricks	D8/394
D779,928 S *	2/2017	Popov	D8/373
D787,303 S *	5/2017	Garvin	D8/367
D827,315 S *	9/2018	Taylor	D6/323
D848,247 S *	5/2019	Gilenson	D8/370
D858,261 S *	9/2019	Gong	D8/367
D859,132 S *	9/2019	Abeel	D8/367
D867,115 S *	11/2019	Zhang	D8/372
D878,186 S *	3/2020	Toye	D8/370
D898,548 S *	10/2020	Elliott	D8/372
D913,777 S *	3/2021	Liu	D8/370
D919,417 S *	5/2021	Wedding	D8/367

(Continued)

OTHER PUBLICATIONS

S Hook Without Roller Ball Shower Curtain Rings Chrome, Date Visited: Feb. 12, 2022, Target, Date Available: Feb. 12, 2019, <https://www.target.com/p/s-hook-without-roller-ball-shower-curtain-rings-chrome-made-by-design-8482/-/A-53803341> (Year: 2019).*

(Continued)

Primary Examiner — Susan Bennett Hattan
Assistant Examiner — Elizabeth S Ko
(74) *Attorney, Agent, or Firm* — Wright Lindsey Jennings, LLP; Meredith Lowry

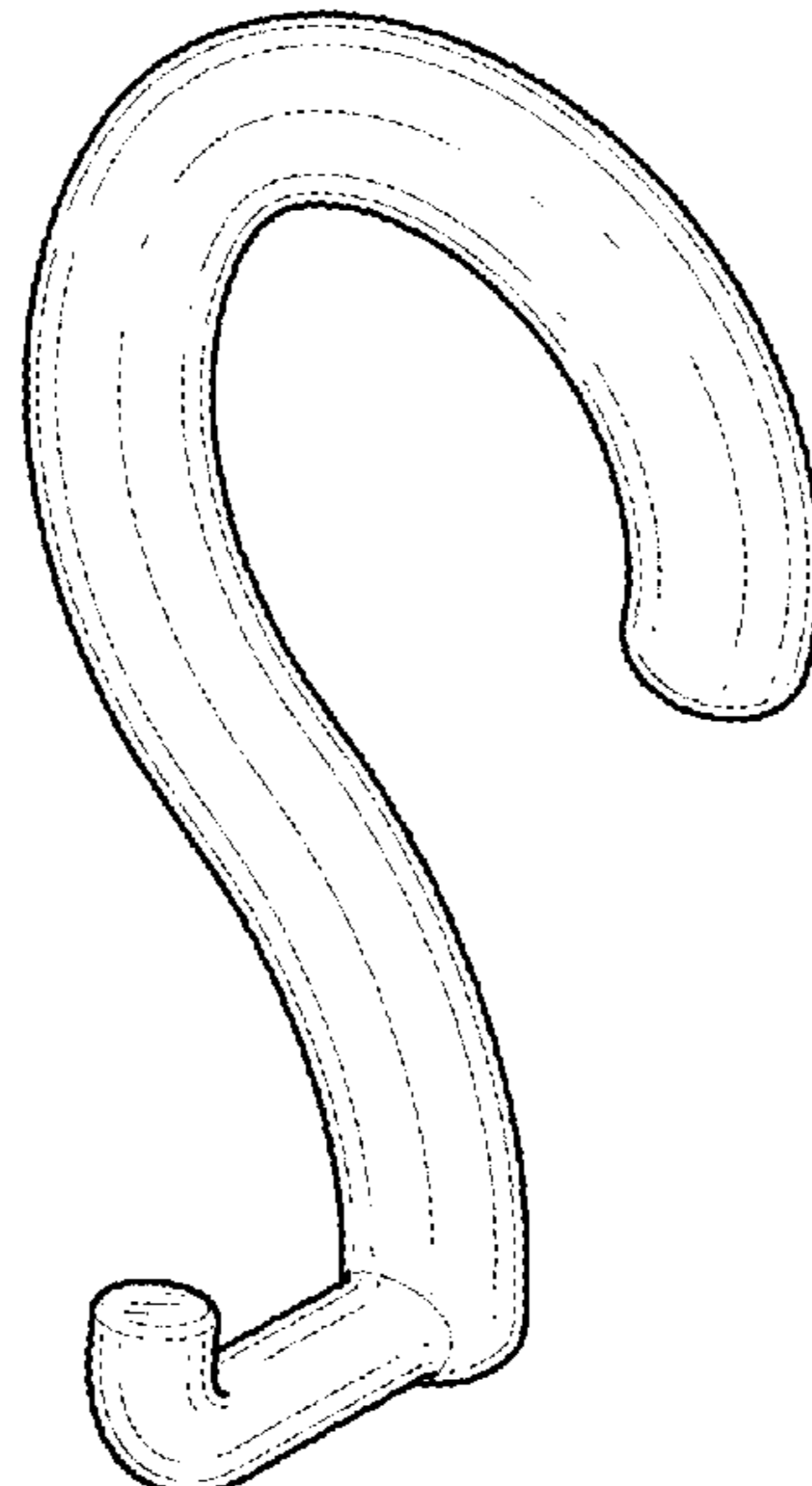
(57) **CLAIM**

The ornamental design for a hook, as shown.

DESCRIPTION

FIG. 1 is a perspective view of the hook;
FIG. 2 is a front elevational view of the same;
FIG. 3 is a rear elevational view of the same;
FIG. 4 is a right side view of the same;
FIG. 5 is a left side view of the same;
FIG. 6 is a bottom plan view of the same; and,
FIG. 7 is a top plan view of the same.

1 Claim, 2 Drawing Sheets



(56)

References Cited

U.S. PATENT DOCUMENTS

D920,084 S * 5/2021 Craig D8/372
D931,716 S * 9/2021 Kacines D8/370
2003/0028998 A1* 2/2003 Samelson A47H 15/02
16/87 R

OTHER PUBLICATIONS

Enclume Angled Pot Hook, Date Visited: Feb. 12, 2022, Amazon,
Date Available: Feb. 12, 2022, <https://www.amazon.com/Enclume-Angled-Racks-Stainless-Steel/dp/B00020M7N6?th=1> (Year: 2022).*

* cited by examiner

FIG. 1

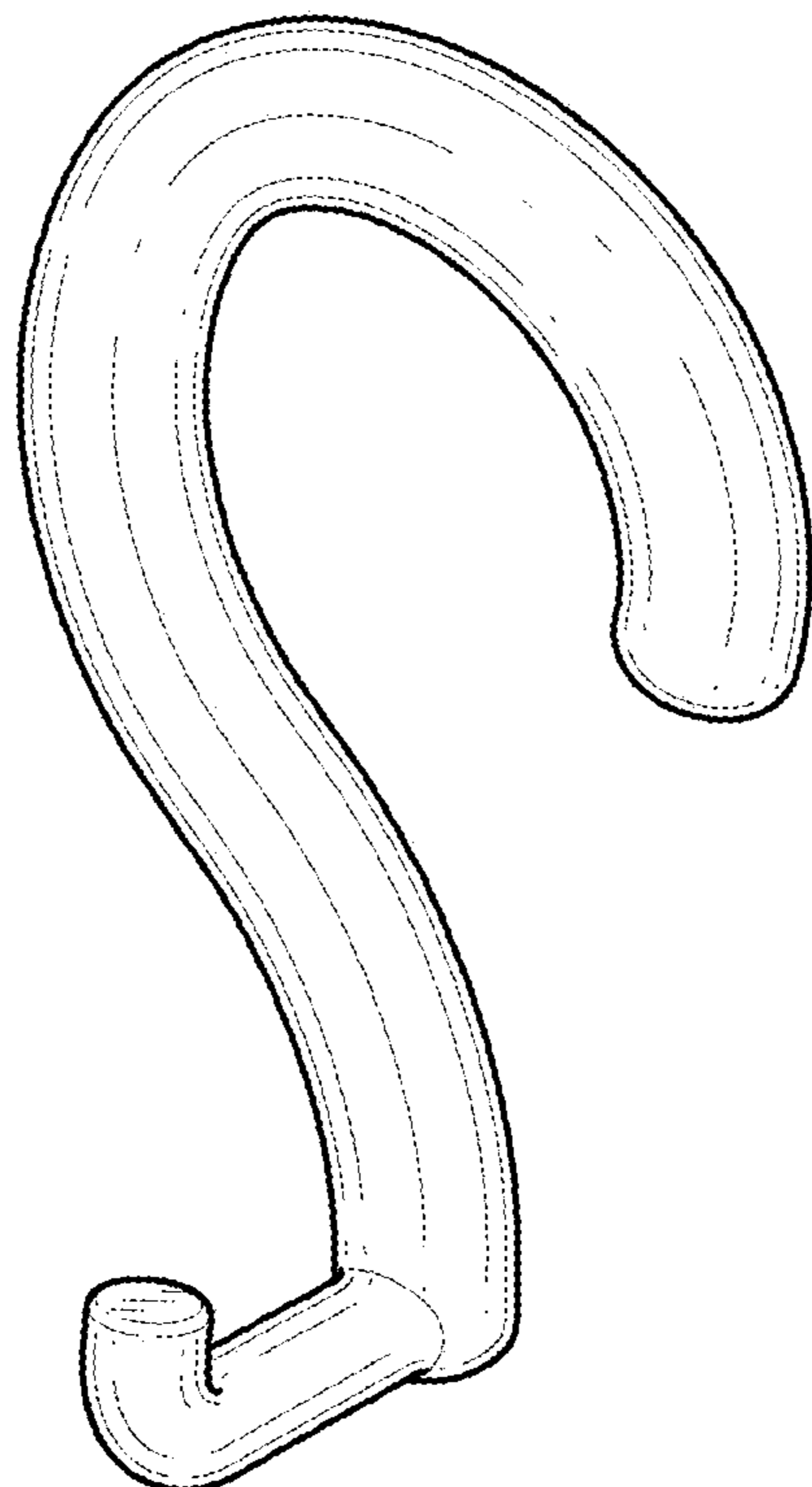


FIG. 2

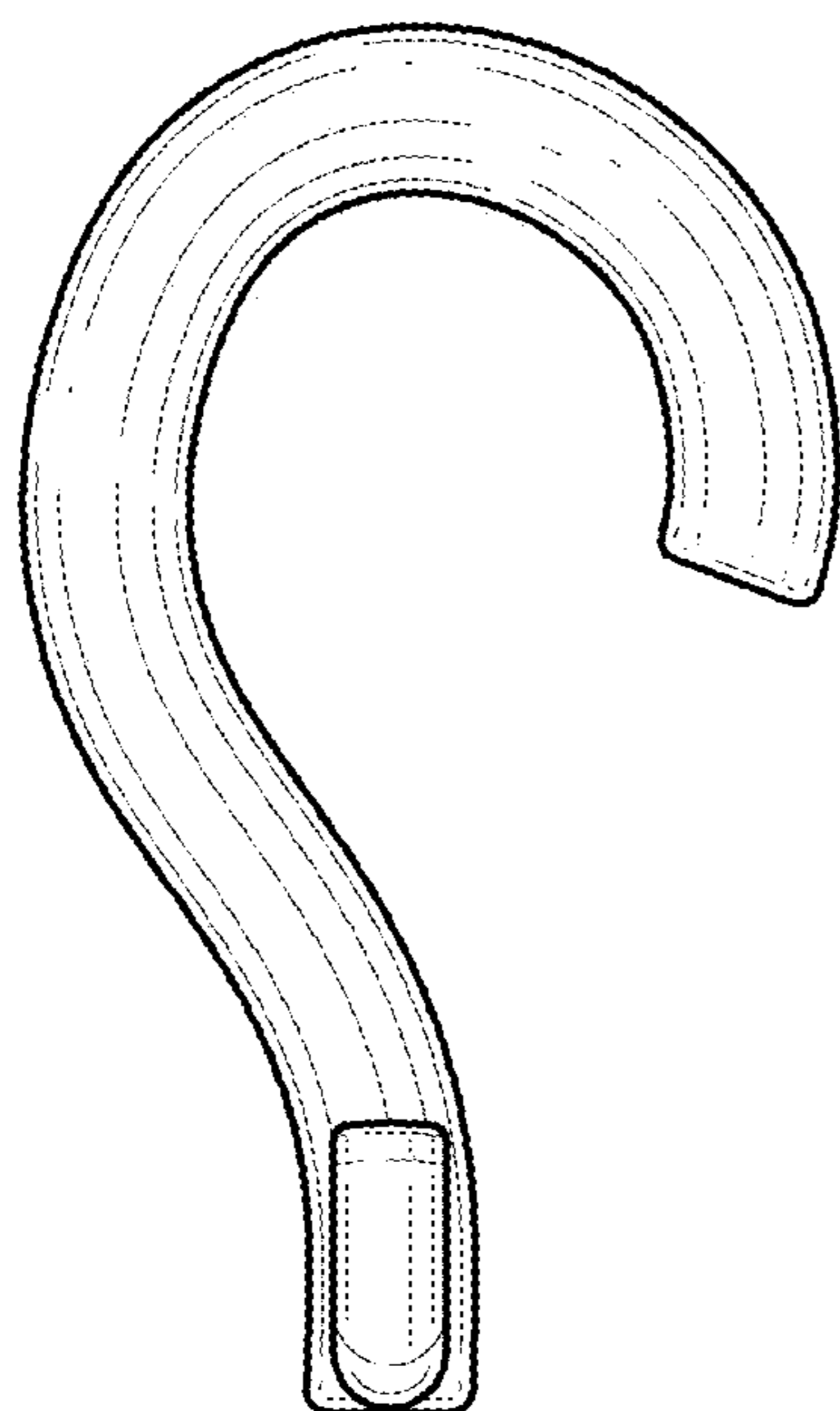


FIG. 3

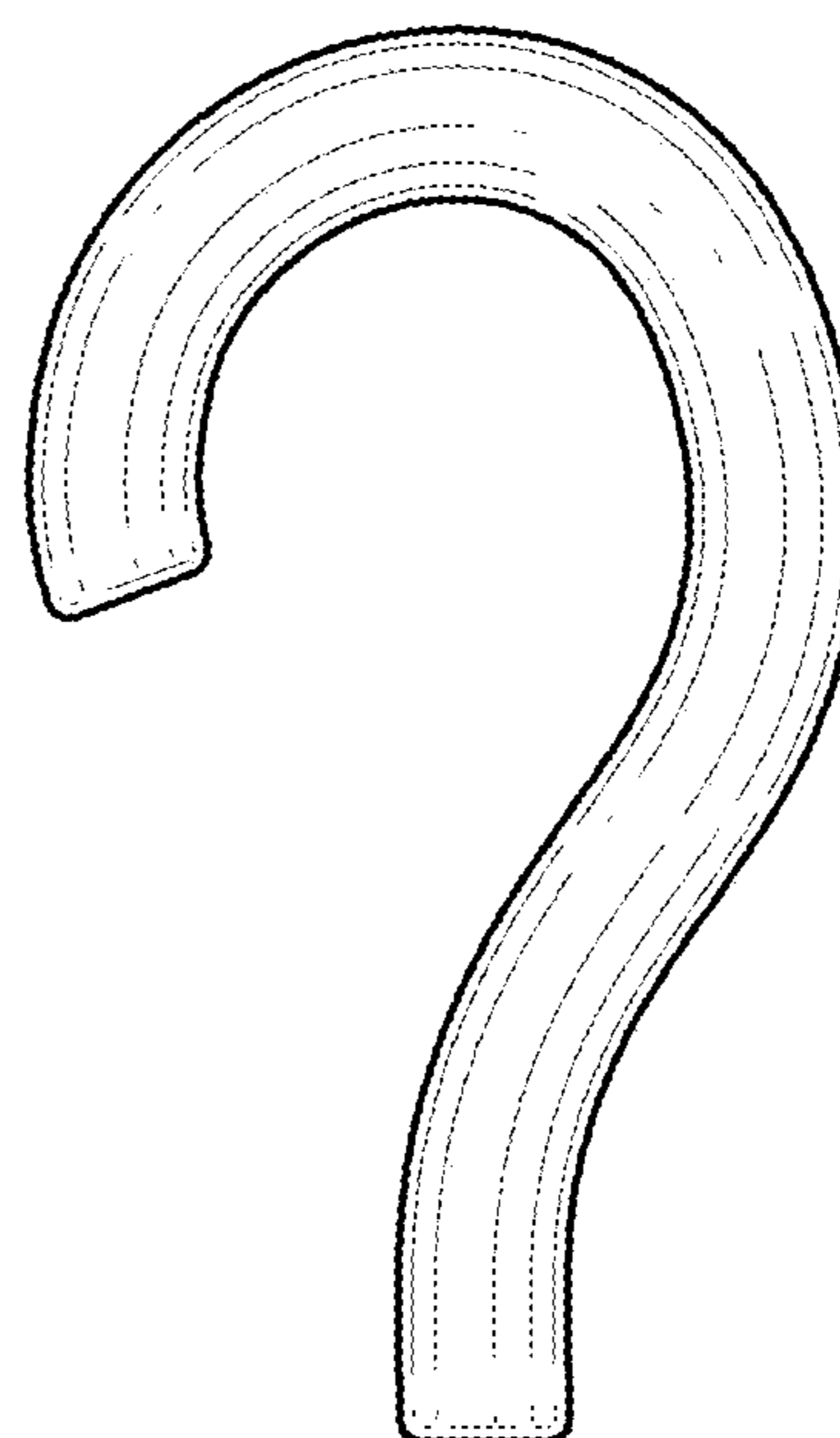


FIG. 4

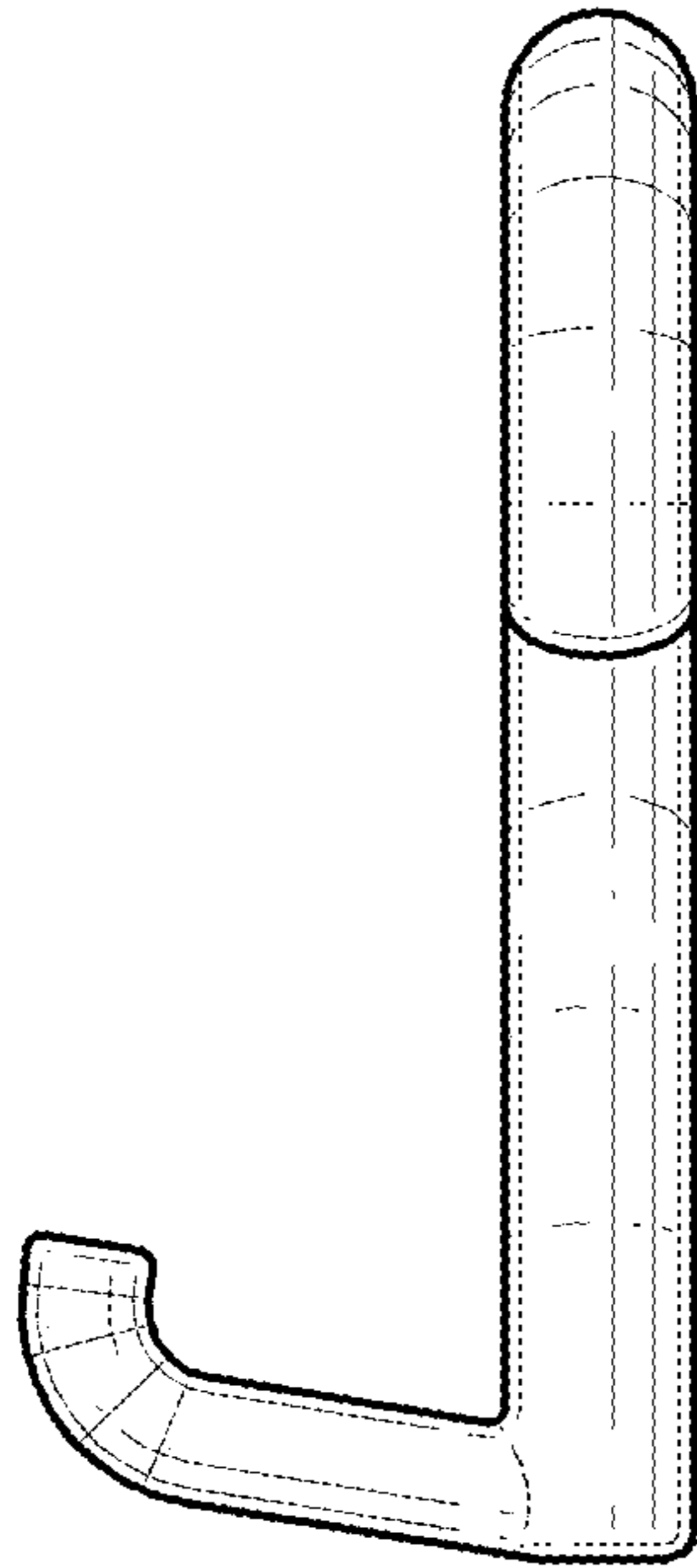


FIG. 5

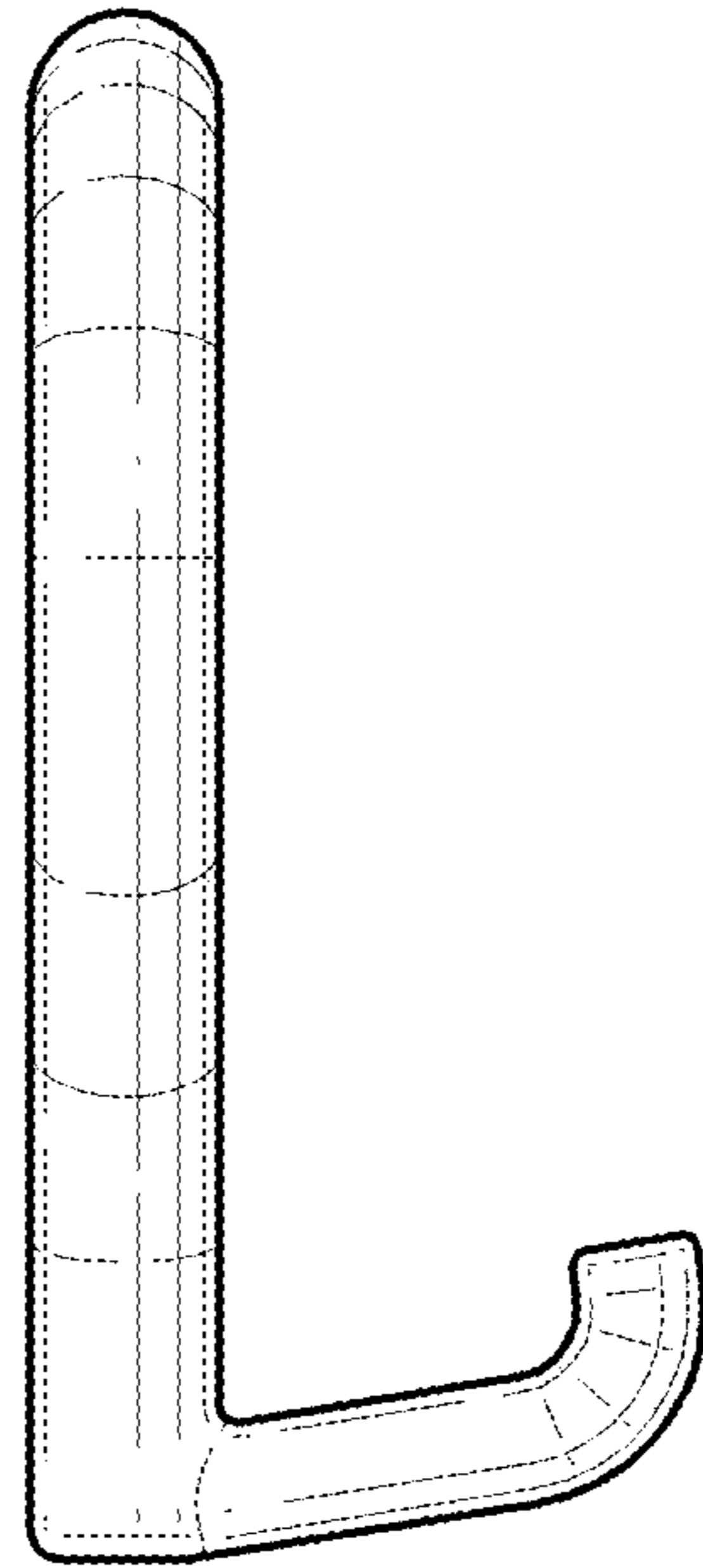


FIG. 6

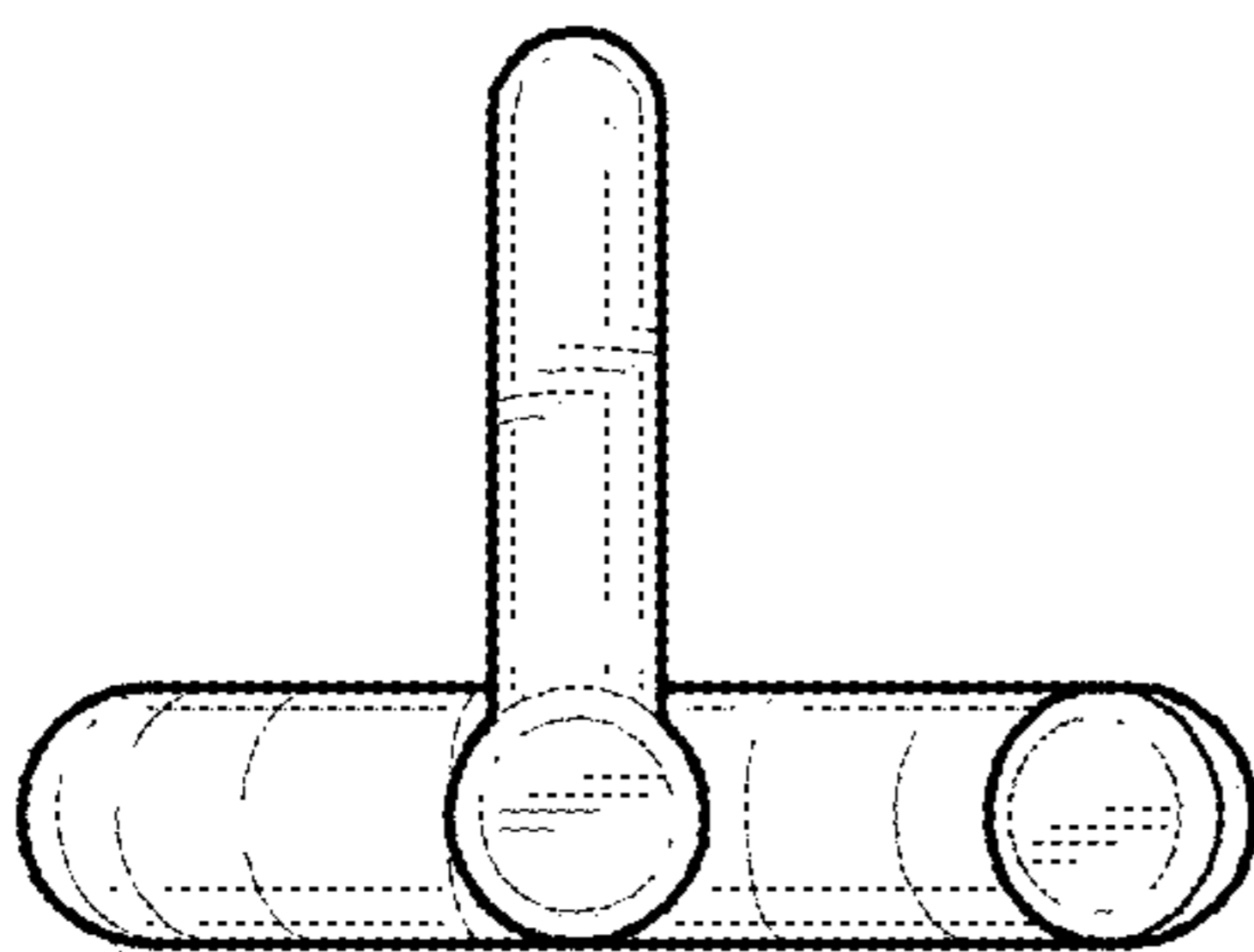


FIG. 7

