



US00D951072S

(12) **United States Design Patent**  
**Li**

(10) **Patent No.:** **US D951,072 S**

(45) **Date of Patent:** **\*\* May 10, 2022**

(54) **ZIPLINE KIT**

(71) Applicant: **Runzhi Li**, Shenzhen (CN)

(72) Inventor: **Runzhi Li**, Shenzhen (CN)

(\*\*) Term: **15 Years**

(21) Appl. No.: **29/783,868**

(22) Filed: **May 16, 2021**

(51) **LOC (13) Cl.** ..... **08-11**

(52) **U.S. Cl.**  
USPC ..... **D8/360; D8/356**

(58) **Field of Classification Search**  
USPC ..... D8/360, 356, 354, 349; 188/65.2;  
104/112; 295/4  
CPC ..... A63B 29/00; A63B 27/00  
See application file for complete search history.

(56) **References Cited**

**U.S. PATENT DOCUMENTS**

|            |      |         |           |       |                       |
|------------|------|---------|-----------|-------|-----------------------|
| 7,819,066  | B2 * | 10/2010 | Smith     | ..... | A63G 21/22<br>104/53  |
| 7,966,941  | B1 * | 6/2011  | Brannan   | ..... | B60T 11/046<br>104/53 |
| 8,336,463  | B2 * | 12/2012 | Smith     | ..... | B61H 9/02<br>104/53   |
| 8,985,028  | B2 * | 3/2015  | Gustafson | ..... | A63G 21/22<br>104/53  |
| 10,046,745 | B2 * | 8/2018  | McGowan   | ..... | A63G 21/22            |
| 10,065,507 | B1 * | 9/2018  | Lerner    | ..... | B61H 7/083            |

|              |      |         |               |       |  |
|--------------|------|---------|---------------|-------|--|
| 10,213,699   | B2 * | 2/2019  | Liggett       | ..... | A63G 21/20<br>D845,112 S * 4/2019 Parenteau ..... D8/367 |
| 10,333,378   | B2 * | 6/2019  | Lerner        | ..... | B61H 9/02  |
| 10,544,822   | B2 * | 1/2020  | Bailey        | ..... | F16B 45/02   |
| 10,654,498   | B2 * | 5/2020  | Runia         | ..... | A63G 21/20   |
| 10,864,393   | B2 * | 12/2020 | Burke         | ..... | A62B 35/0081<br>D930,460 S * 9/2021 Sun ..... D8/360     |
| D935,311     | S *  | 11/2021 | Xu            | ..... | D8/360   |
| D945,252     | S *  | 3/2022  | Walker        | ..... | D8/356   |
| 11,273,345   | B1 * | 3/2022  | Mumford       | ..... | A63B 27/00   |
| 2009/0223406 | A1   | 9/2009  | Smith         |       |  |
| 2011/0162917 | A1   | 7/2011  | Steele et al. |       |  |
| 2014/0311376 | A1 * | 10/2014 | Brannan       | ..... | A62B 1/14<br>104/113                                     |

\* cited by examiner

*Primary Examiner* — Cynthia R Underwood

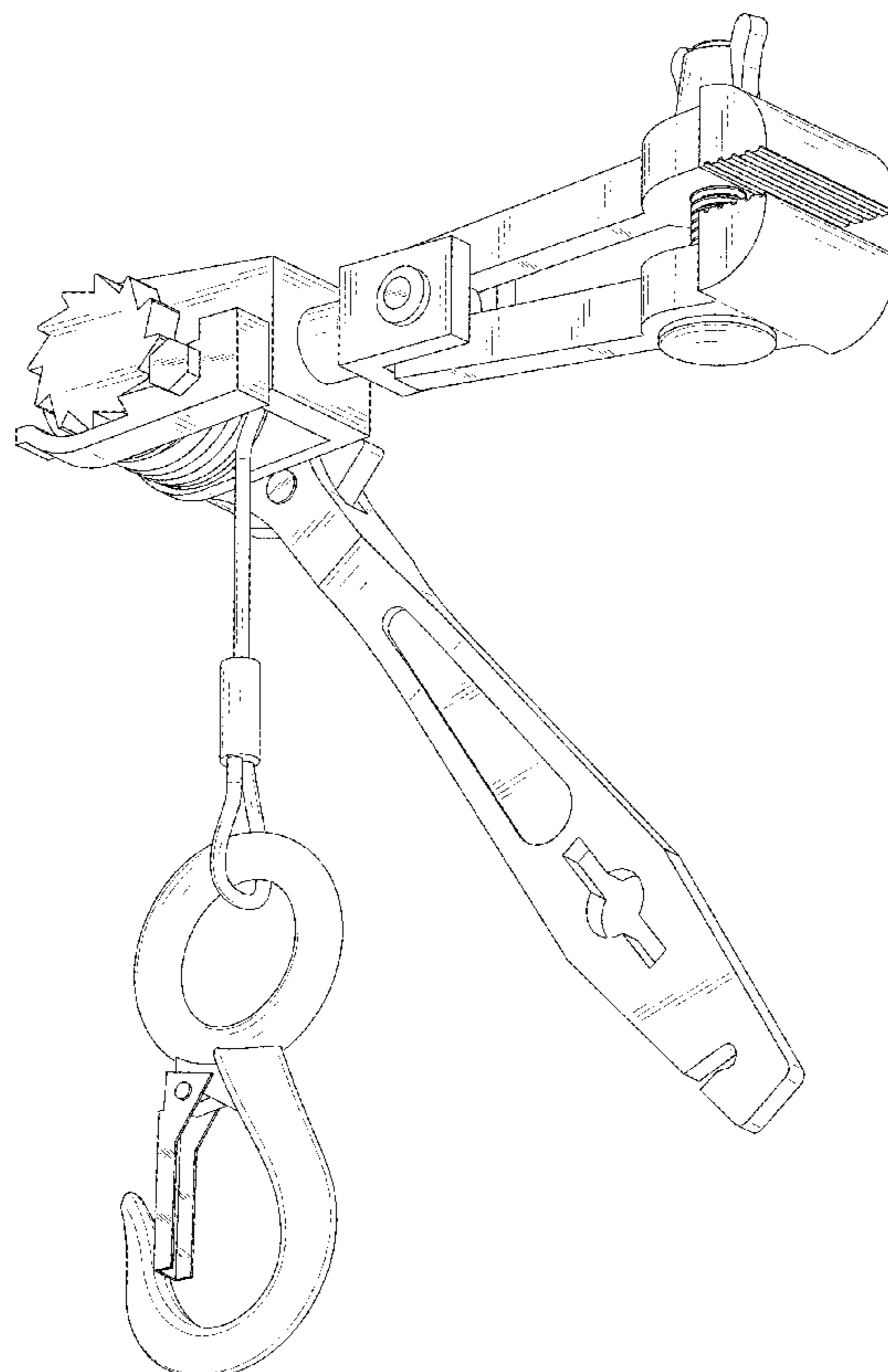
(57) **CLAIM**

The ornamental design for a zipline kit, as shown and described.

**DESCRIPTION**

FIG. 1 is a perspective view of a zipline kit showing my new design;  
FIG. 2 is another perspective view thereof;  
FIG. 3 is a front elevational view thereof;  
FIG. 4 is a rear elevational view thereof;  
FIG. 5 is a left side elevational view thereof;  
FIG. 6 is a right side elevational view thereof;  
FIG. 7 is a top plan view thereof; and,  
FIG. 8 is a bottom plan view thereof.

**1 Claim, 8 Drawing Sheets**



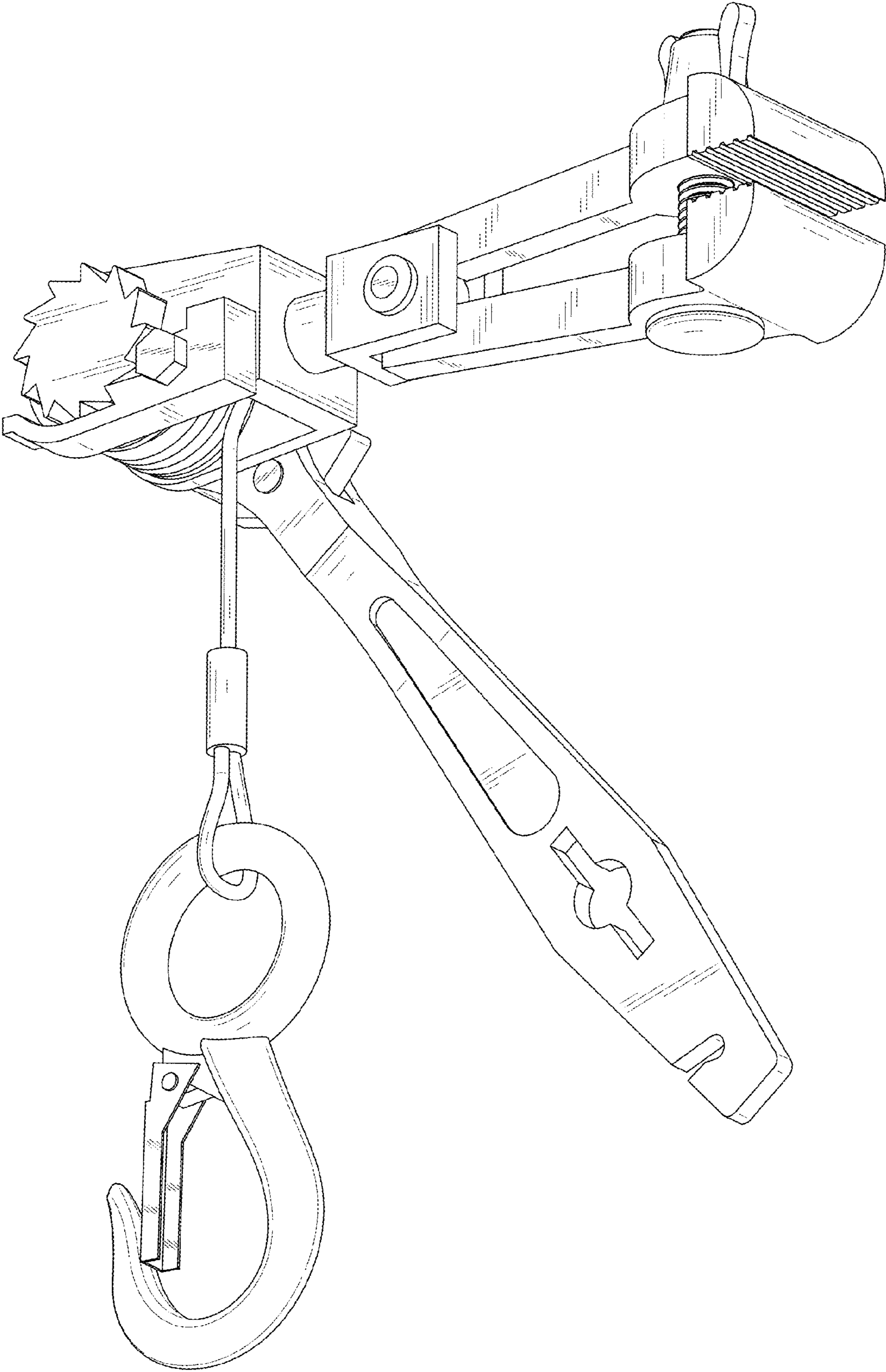


FIG. 1

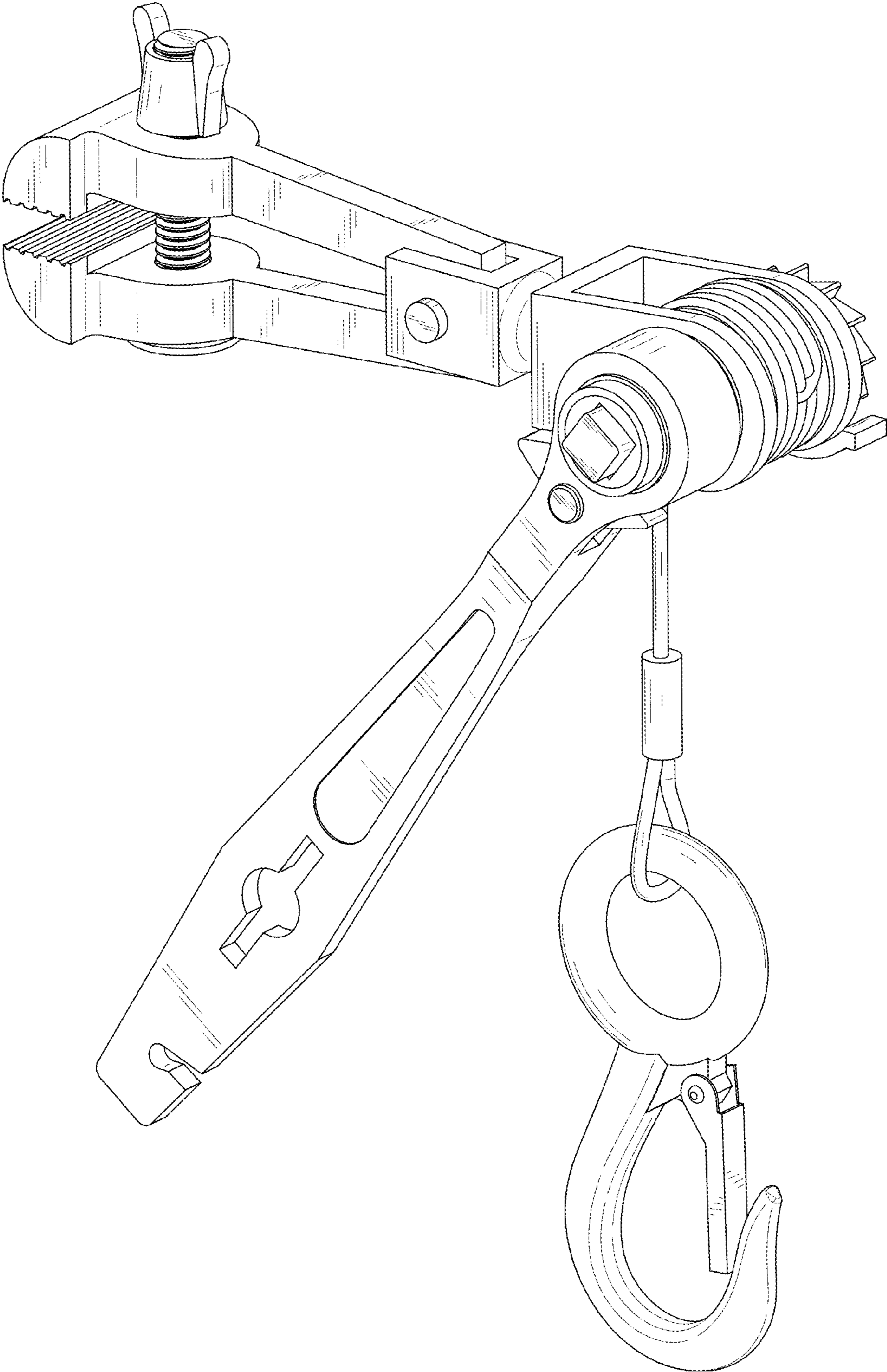


FIG. 2

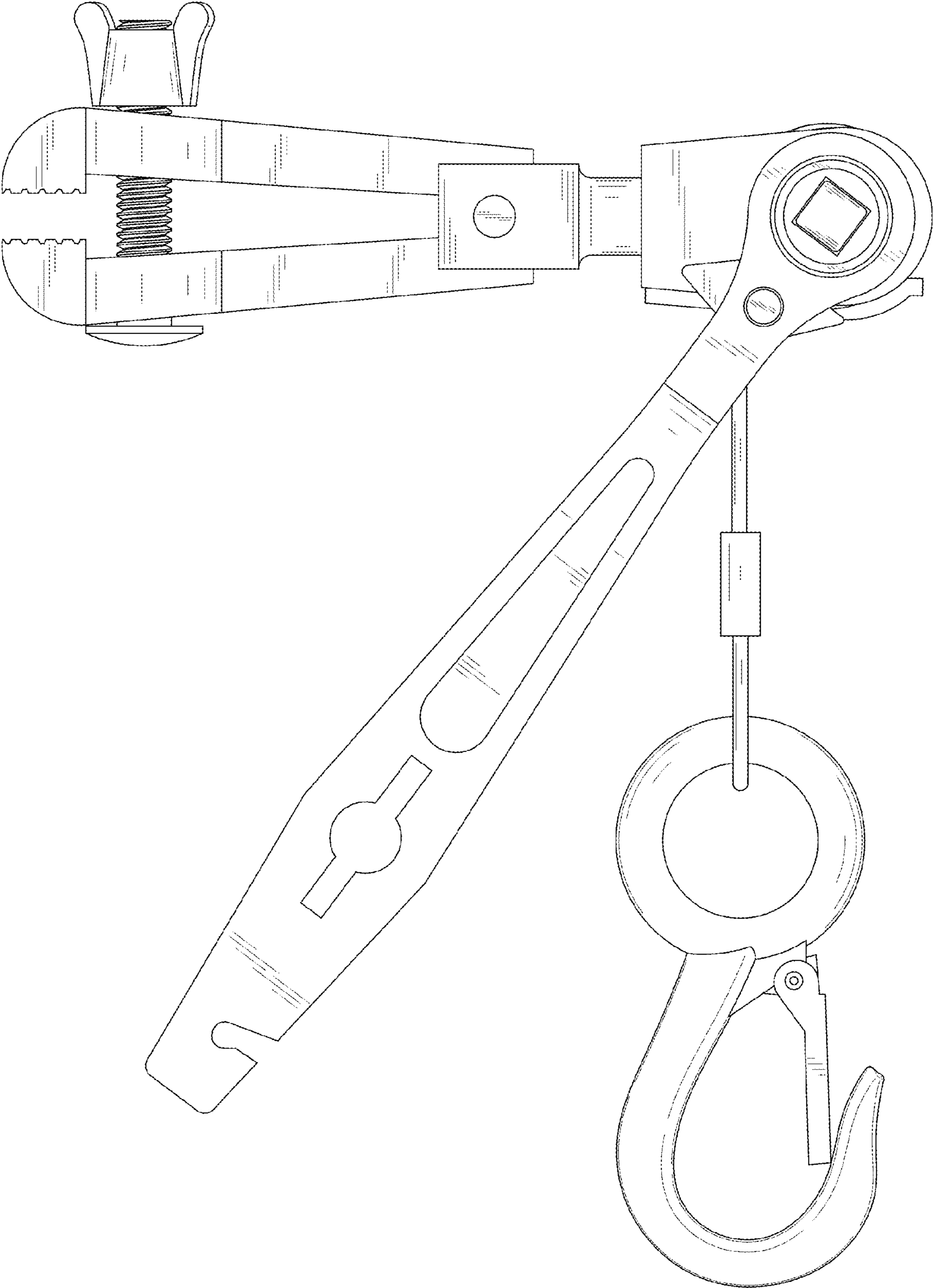


FIG. 3

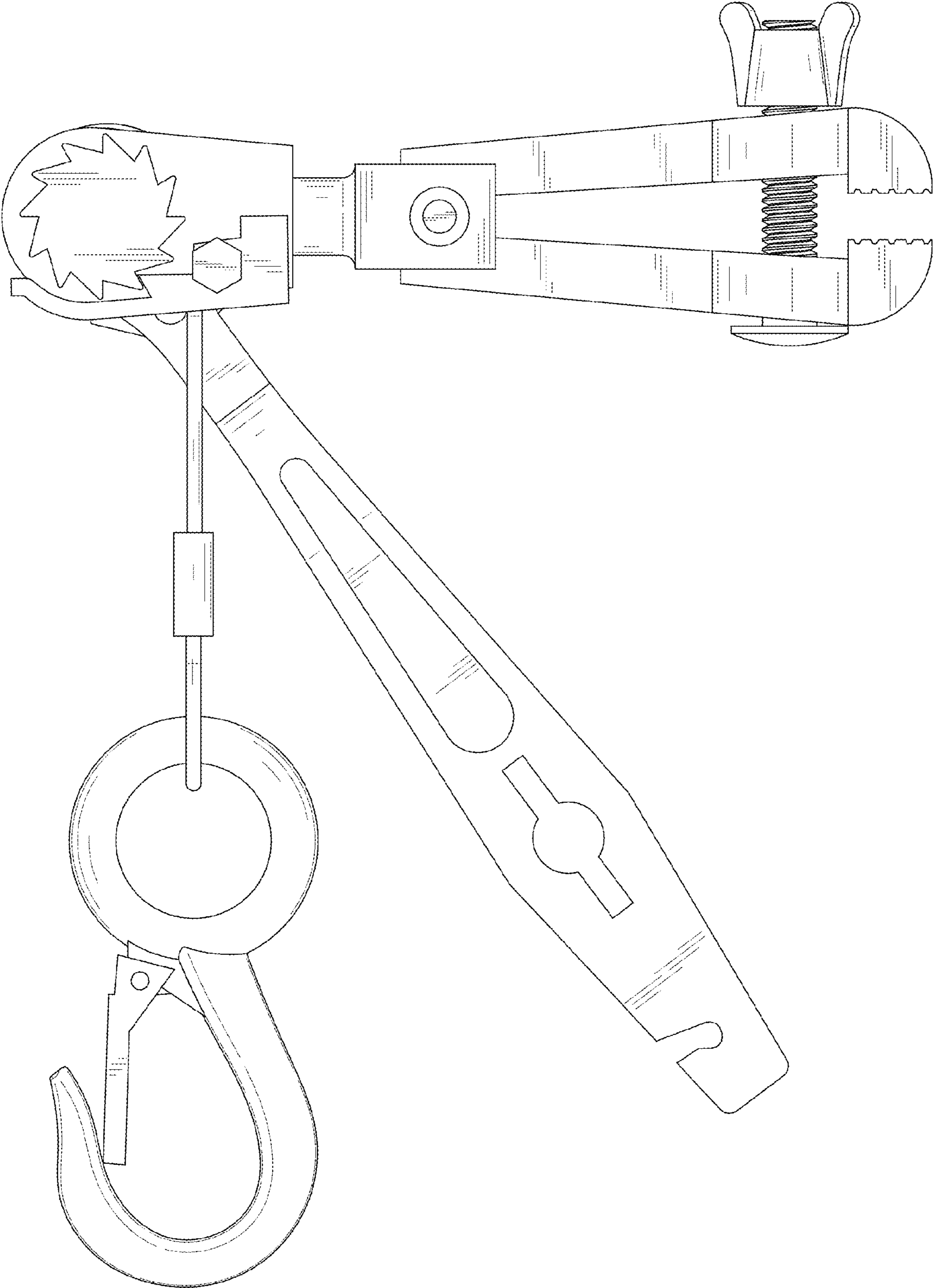


FIG. 4

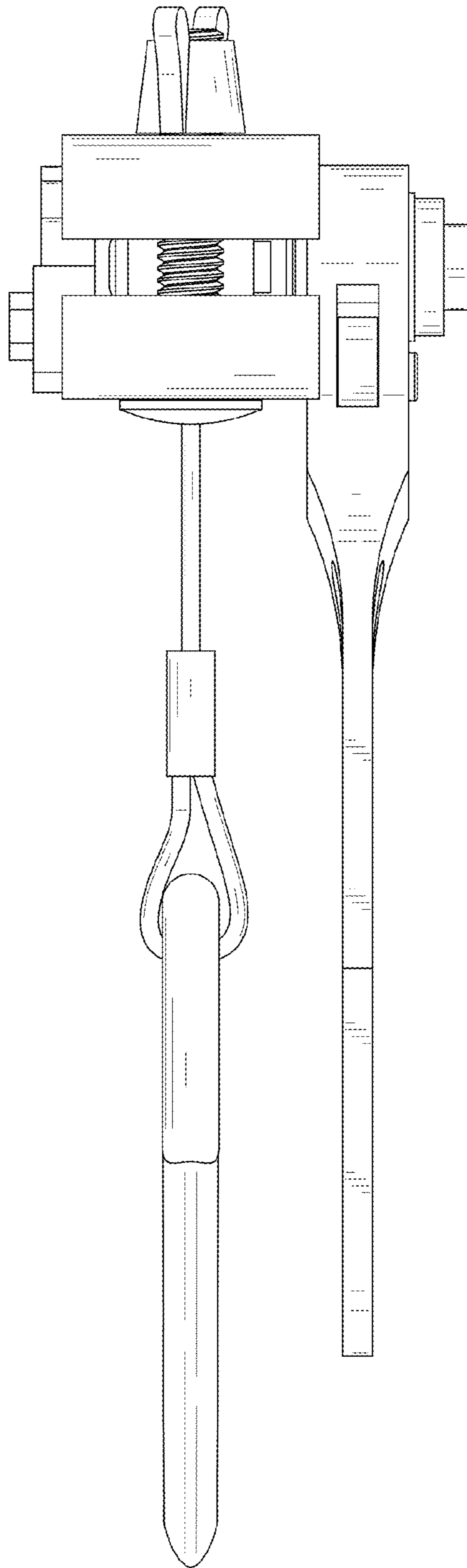


FIG. 5

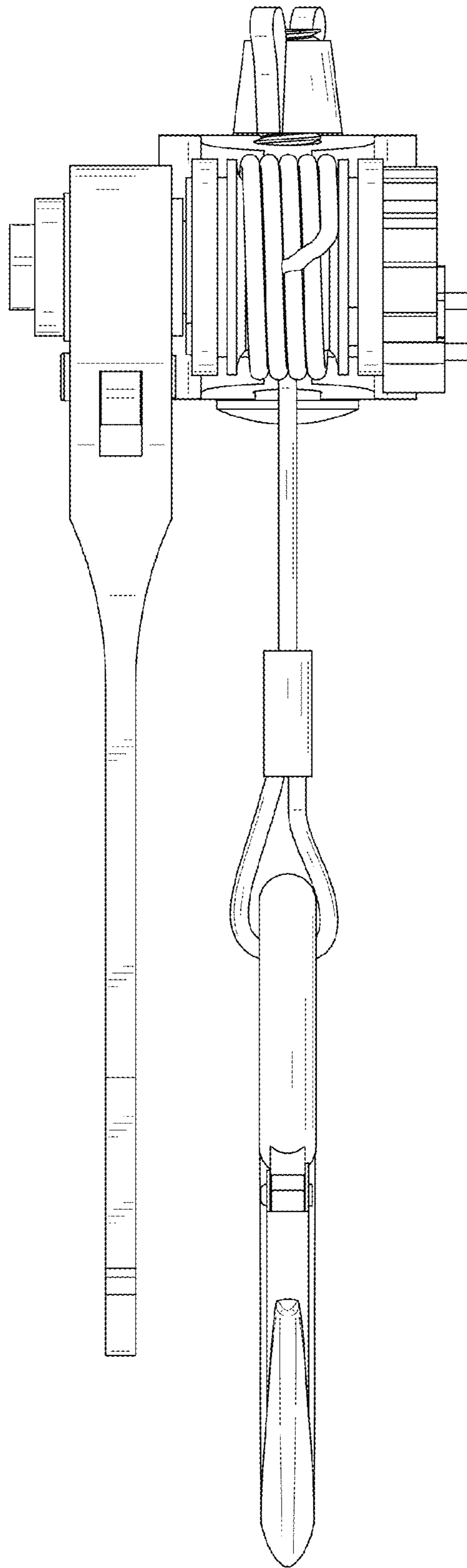


FIG. 6

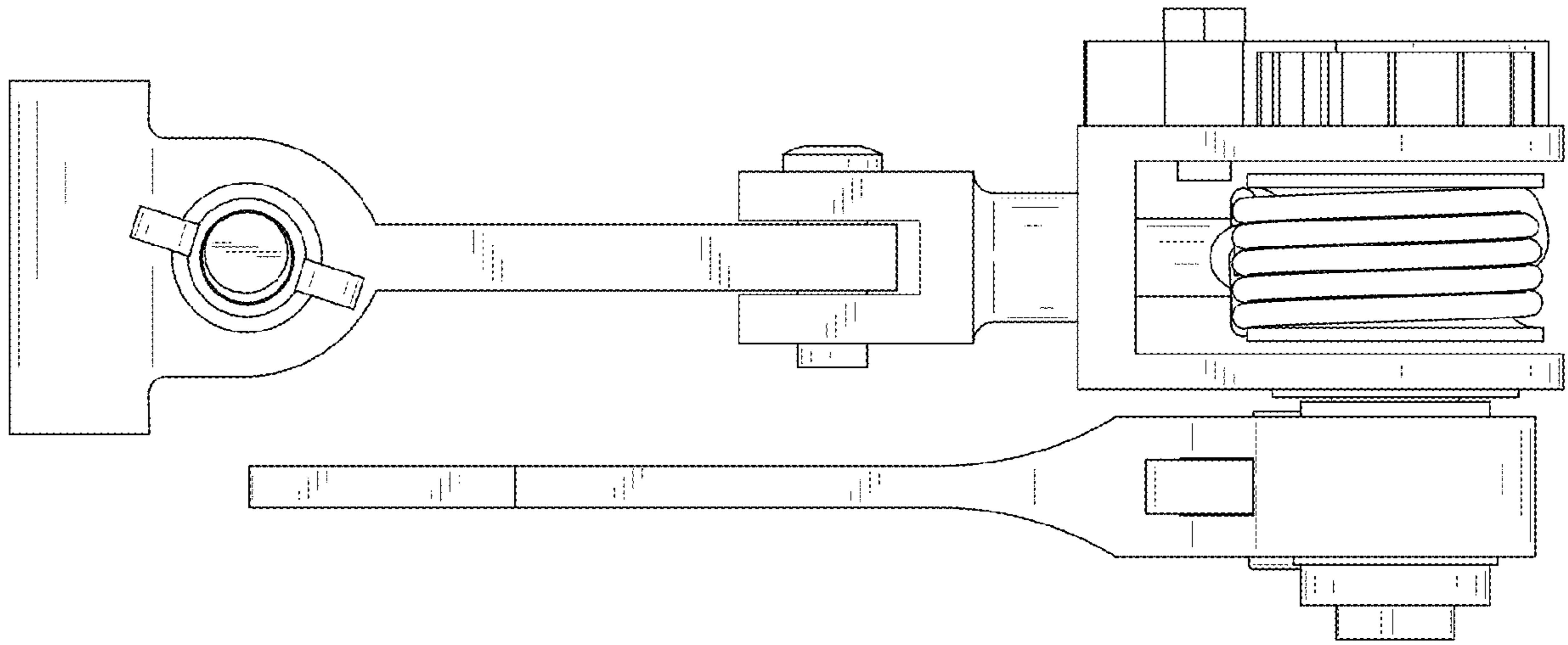


FIG. 7



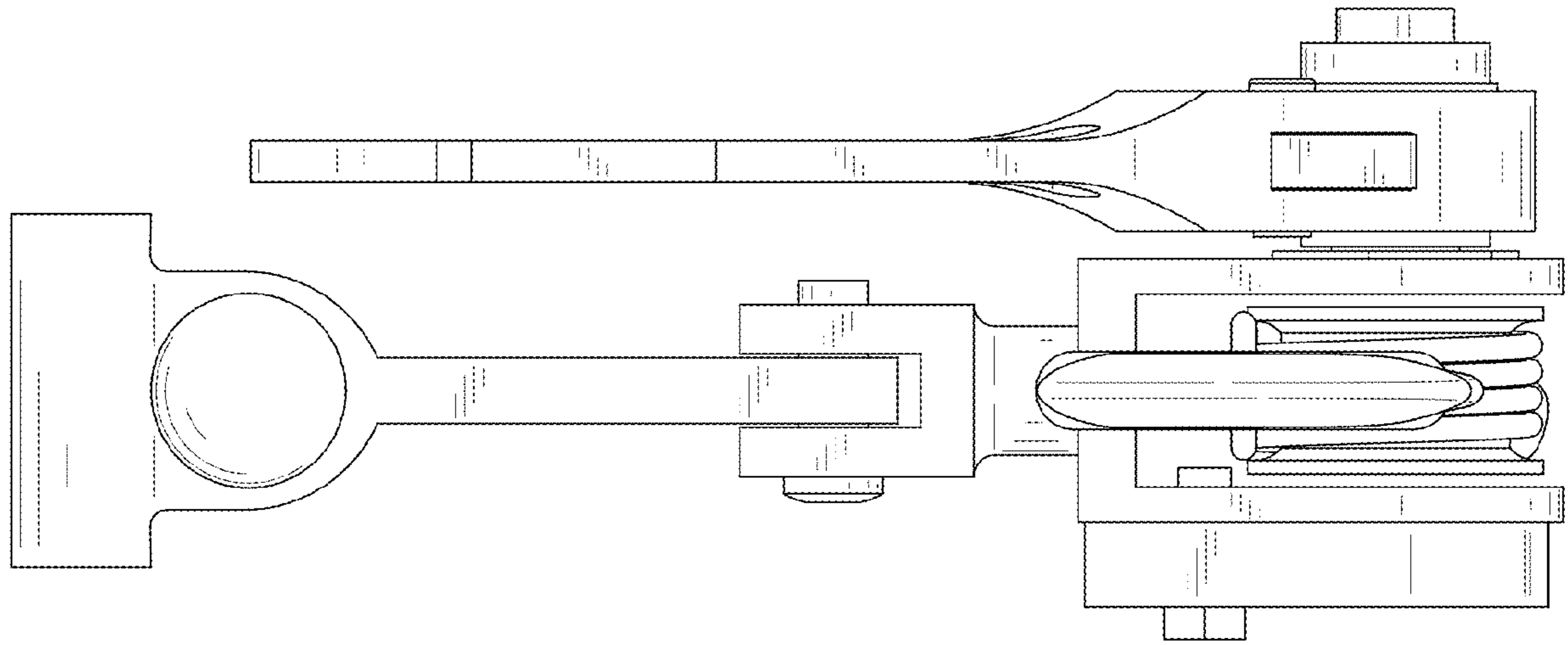


FIG. 8