



US00D951068S

(12) **United States Design Patent**
Afragola

(10) **Patent No.:** **US D951,068 S**

(45) **Date of Patent:** **** May 10, 2022**

(54) **ABBREVIATED WIRE ORGANIZATION RACEWAY**

(71) Applicant: **Sarah Afragola**, Madison, CT (US)

(72) Inventor: **Sarah Afragola**, Madison, CT (US)

(**) Term: **15 Years**

(21) Appl. No.: **29/739,434**

(22) Filed: **Jun. 25, 2020**

(51) **LOC (13) Cl.** **09-06**

(52) **U.S. Cl.**
USPC **D8/356**

(58) **Field of Classification Search**
USPC D8/356, 354; D13/155
CPC B65H 57/16; B63B 21/045; A61M 5/1418
See application file for complete search history.

(56) **References Cited**

U.S. PATENT DOCUMENTS

3,199,246	A *	8/1965	Fischer	A63H 33/06	446/108
3,528,192	A *	9/1970	Meates	A63H 33/086	446/113
D228,852	S	10/1973	Vogelhuber et al.			
4,244,544	A *	1/1981	Kornat	F16L 3/13	248/68.1
D272,785	S *	2/1984	Rumbaugh	D6/552	
D272,787	S *	2/1984	Rumbaugh	D6/552	
D285,948	S *	9/1986	Mazzoleni	D21/486	
D304,212	S *	10/1989	Moe	D21/486	
D304,353	S *	10/1989	Moe	D21/486	
4,971,271	A *	11/1990	Sularz	A61M 5/1418	248/229.13
5,316,246	A *	5/1994	Scott	A61M 5/1418	248/68.1
D373,719	S *	9/1996	Lin	D8/373	
D404,580	S *	1/1999	Hasler	D6/320	
D415,530	S *	10/1999	Ridder	D19/77	
5,992,802	A *	11/1999	Campbell	H02G 3/30	248/68.1

6,227,502	B1 *	5/2001	Derman	F16L 3/2235	248/68.1
D459,977	S *	7/2002	Byrnes	D8/357	
6,415,932	B1 *	7/2002	Fiscus	A47B 81/005	211/60.1
6,458,104	B2 *	10/2002	Gautsche	A61M 5/1418	128/DIG. 26
D485,161	S *	1/2004	Hutchinson	D8/383	
D488,054	S *	4/2004	Myers	D8/356	
D555,466	S *	11/2007	Hennig	D6/571	
D619,435	S *	7/2010	Navas	D8/27	
D638,690	S *	5/2011	Hoek	D8/356	
D638,691	S *	5/2011	Hoek	D8/356	

(Continued)

Primary Examiner — Cynthia R Underwood

(74) *Attorney, Agent, or Firm* — Murtha Cullina LLP

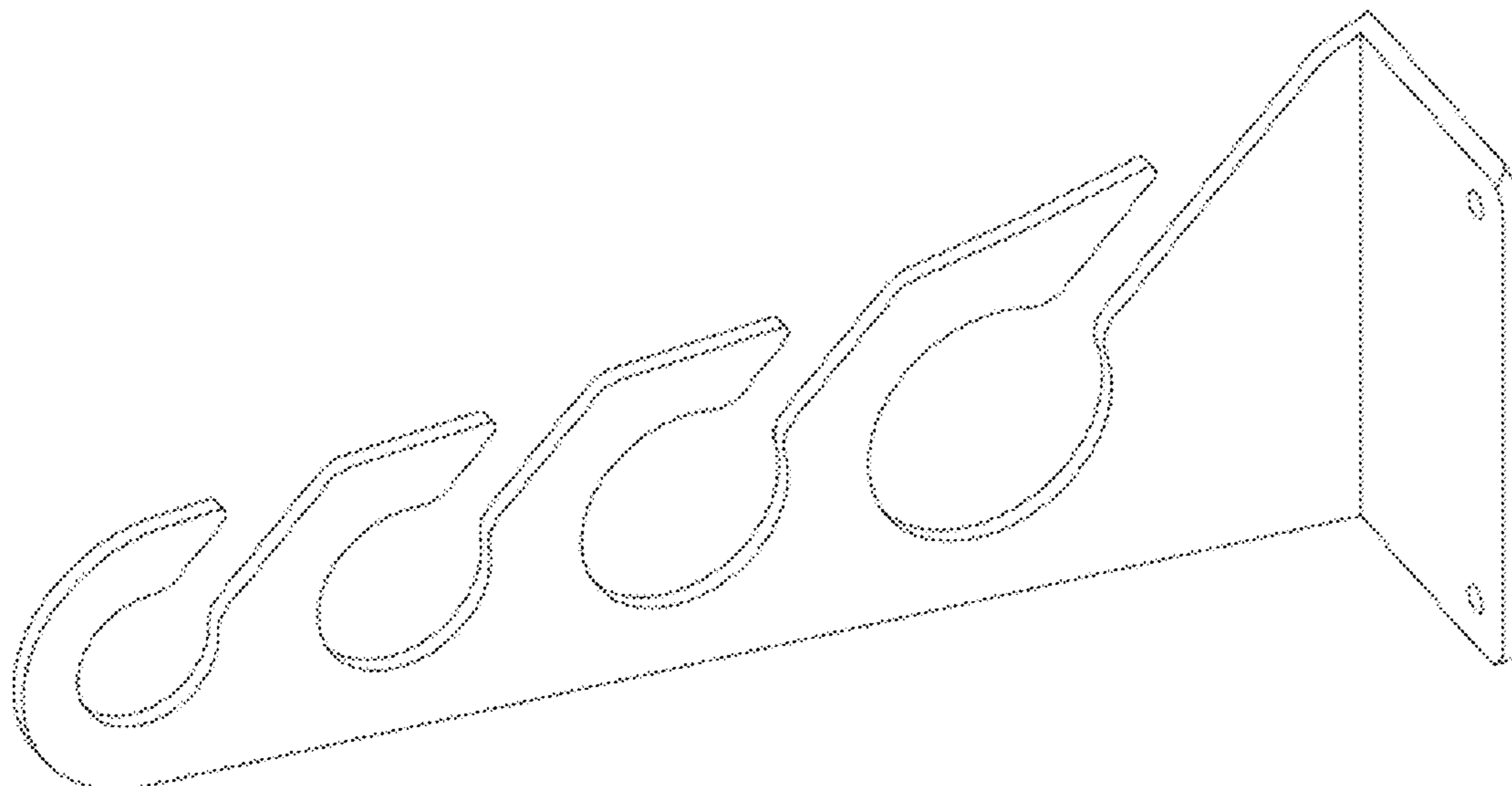
(57) **CLAIM**

The ornamental design of an abbreviated wire organization raceway, as shown and described.

DESCRIPTION

FIG. 1 is a front right isometric view of an abbreviated wire organization raceway showing my new design;
 FIG. 2 is a front left isometric view of the abbreviated wire organization raceway shown in FIG. 1;
 FIG. 3 is a front view of the abbreviated wire organization raceway shown in FIG. 1;
 FIG. 4 is a right side view of the abbreviated wire organization raceway shown in FIG. 1;
 FIG. 5 is a left side view of the abbreviated wire organization raceway shown in FIG. 1;
 FIG. 6 is a rear view of the abbreviated wire organization raceway shown in FIG. 1;
 FIG. 7 is a top view of the abbreviated wire organization raceway shown in FIG. 1; and,
 FIG. 8 is a bottom view of the abbreviated wire organization raceway shown in FIG. 1.

1 Claim, 8 Drawing Sheets



(56)

References Cited

U.S. PATENT DOCUMENTS

D638,692 S * 5/2011 Hoek D8/356
D640,527 S * 6/2011 Hoek D8/356
D691,878 S * 10/2013 Ganski D8/356
8,900,196 B2 * 12/2014 Andino A61M 5/1418
604/174
D852,354 S * 6/2019 Wrangmark D24/128
D877,899 S * 3/2020 Shepherd D24/128
D885,869 S * 6/2020 Moldvaer D8/356
D886,470 S * 6/2020 Norkova D6/315
D907,988 S * 1/2021 Yu D8/356
D909,188 S * 2/2021 Kou D8/356
D926,706 S * 8/2021 Gustaveson, II F16L 3/13
D13/155
11,130,651 B2 * 9/2021 Brunner B65H 57/04
D935,308 S * 11/2021 Liu D8/356
2005/0189453 A1 * 9/2005 DeGuevara H02G 3/305
248/68.1
2005/0251967 A1 * 11/2005 McNeill B65D 63/1027
24/16 PB
2006/0144610 A1 * 7/2006 Gelibert H01R 4/5066
174/72 A
2010/0132979 A1 * 6/2010 Chen H02G 3/32
174/135
2010/0258685 A1 * 10/2010 Gardner F16L 3/23
248/68.1
2018/0070713 A1 * 3/2018 Moreau A45F 5/021
2018/0084886 A1 * 3/2018 O'Hare A45D 8/34

* cited by examiner

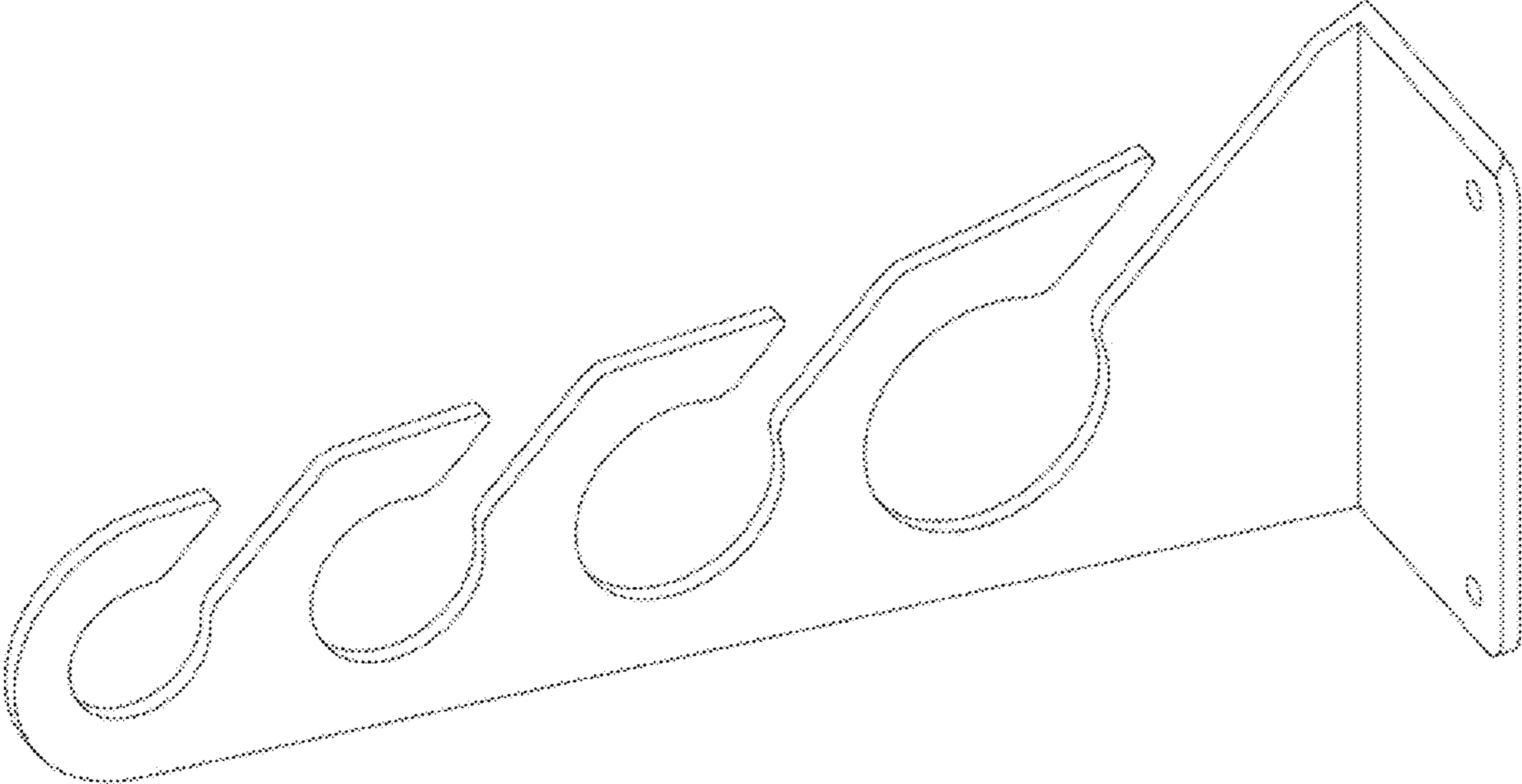


FIG. 1

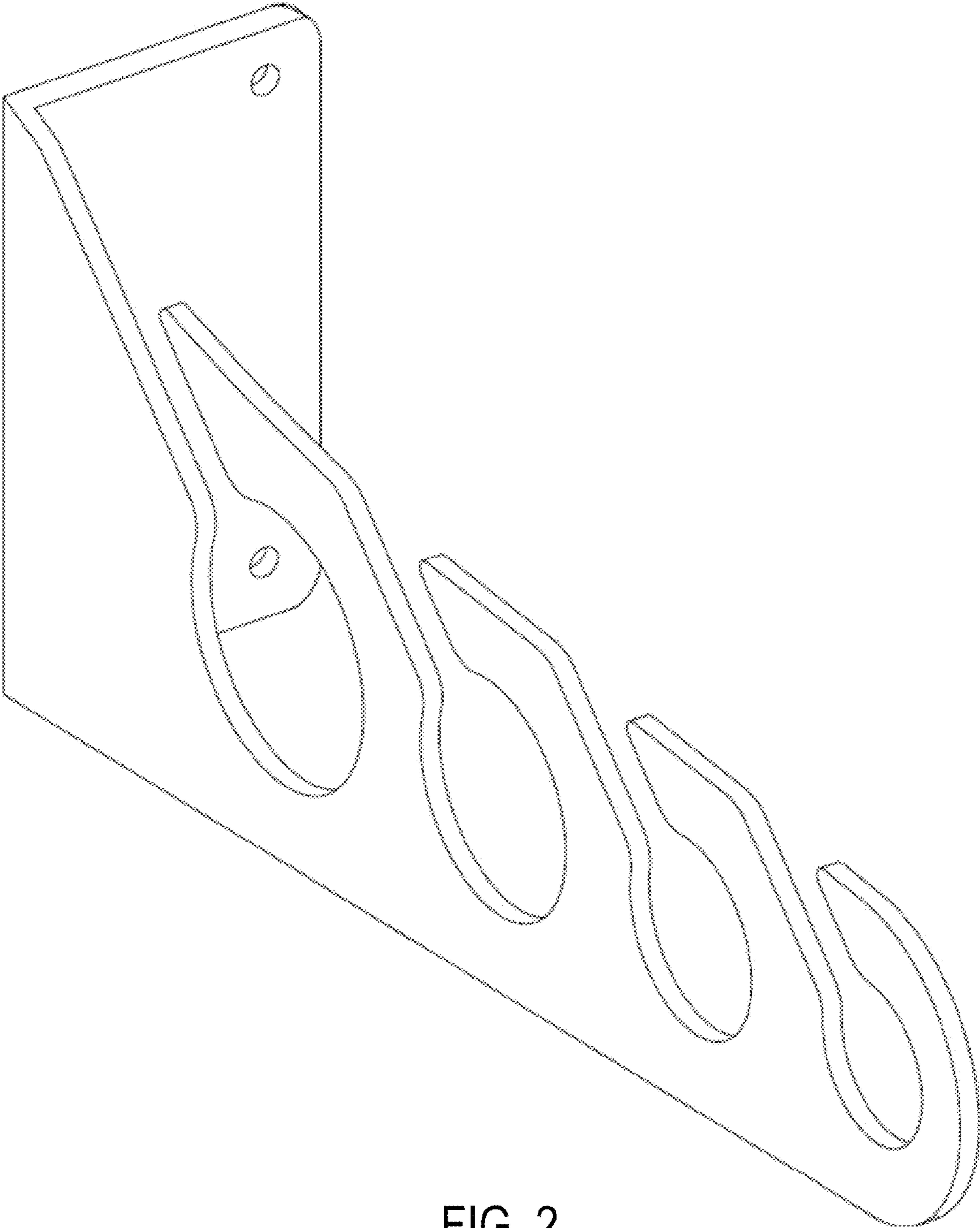


FIG. 2

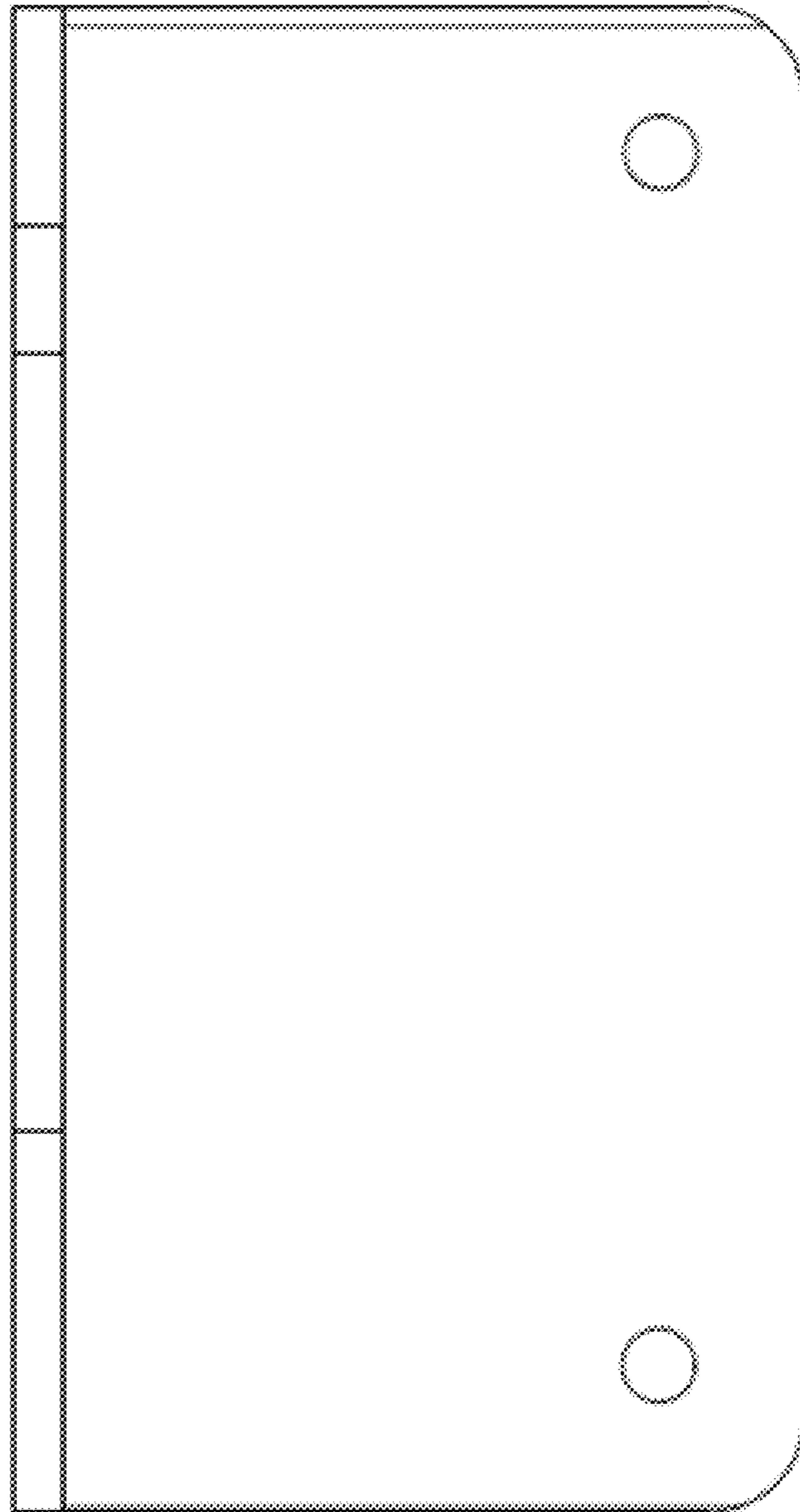


FIG. 3

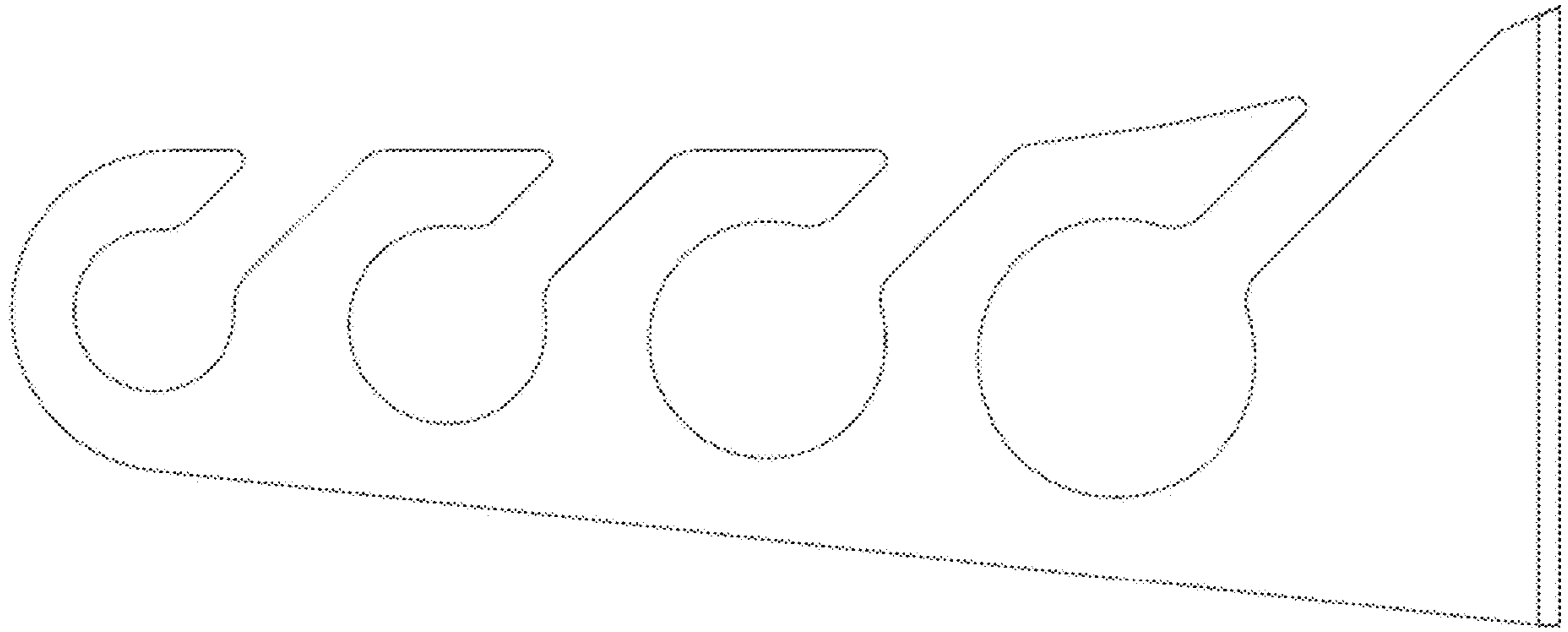


FIG. 4

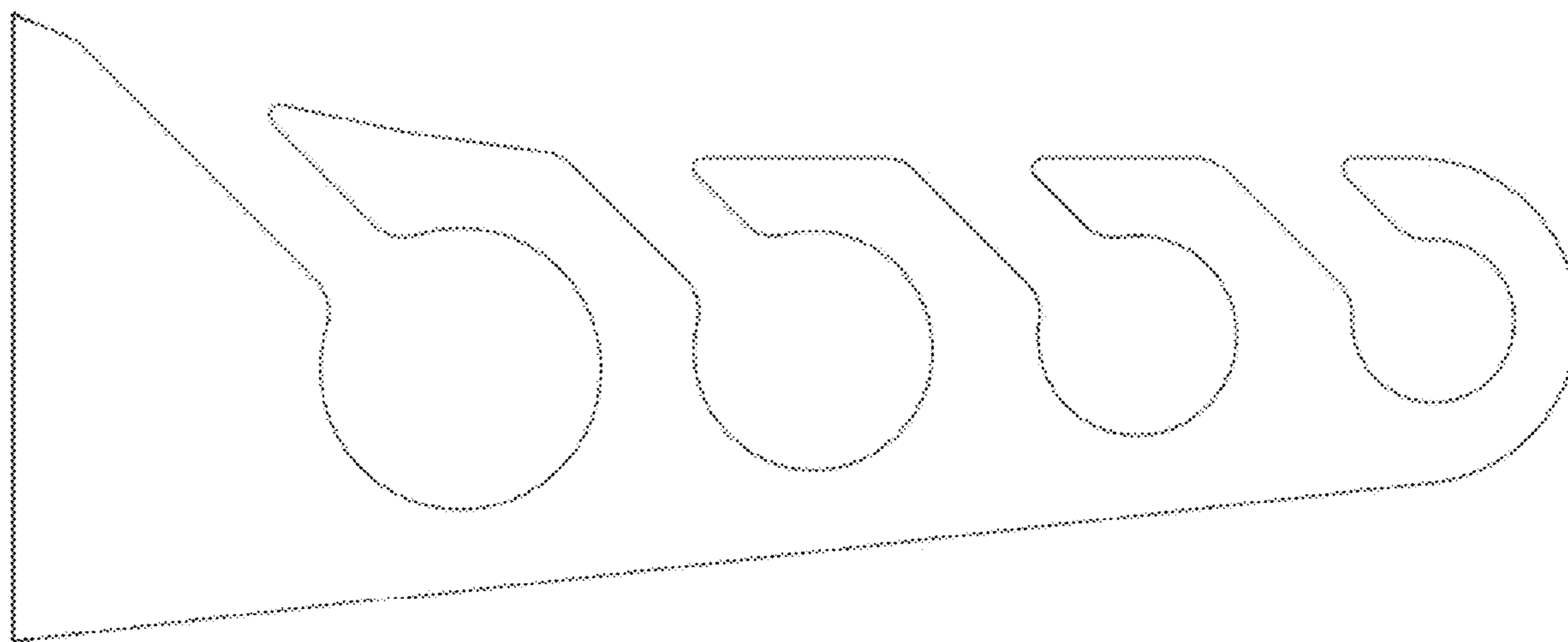


FIG. 5



FIG. 6



FIG. 7



FIG. 8