



US00D951066S

(12) **United States Design Patent**
Chen

(10) **Patent No.:** **US D951,066 S**

(45) **Date of Patent:** **** May 10, 2022**

(54) **SINK SUPPORT**

(71) Applicant: **Shenzhen Helijia Technology Co., Ltd, Shenzhen (CN)**

(72) Inventor: **Yuankun Chen, Shenzhen (CN)**

(73) Assignee: **Shenzhen Helijia Technology Co., Ltd, Guangdong (CN)**

(**) Term: **15 Years**

(21) Appl. No.: **29/726,235**

(22) Filed: **Mar. 2, 2020**

(51) **LOC (13) Cl.** **08-05**

(52) **U.S. Cl.**
USPC **D8/354**

(58) **Field of Classification Search**
USPC D8/349, 354, 380, 394, 373, 396, 398,
D8/399; D14/229, 238, 238.1, 224, 251
CPC F16M 11/14; G03B 17/561; G03B 17/56
See application file for complete search history.

(56) **References Cited**

U.S. PATENT DOCUMENTS

- 3,053,944 A * 9/1962 Weeks H04R 5/0335
381/377
- 4,050,661 A * 9/1977 Wooldridge G01B 5/0004
248/285.1
- D259,114 S * 5/1981 Cyrell D8/355
- D310,083 S * 8/1990 Lazzeroni D14/225
- 5,251,859 A * 10/1993 Cyrell F16C 11/0604
403/90
- D360,844 S * 8/1995 Miller D10/110

- 5,664,750 A * 9/1997 Cohen F16M 11/041
248/231.71
- D400,085 S * 10/1998 Haskin D8/363
- 6,347,776 B1 * 2/2002 Chuang F16M 11/14
403/114
- D814,914 S * 4/2018 Mason D8/394
- D892,910 S * 8/2020 Zhang D16/242
- D902,014 S * 11/2020 Lagnese, Sr. D8/354

* cited by examiner

Primary Examiner — Keli L Hill

Assistant Examiner — Harold E Blackwell, II

(74) *Attorney, Agent, or Firm* — ScienBiziP, P.C.

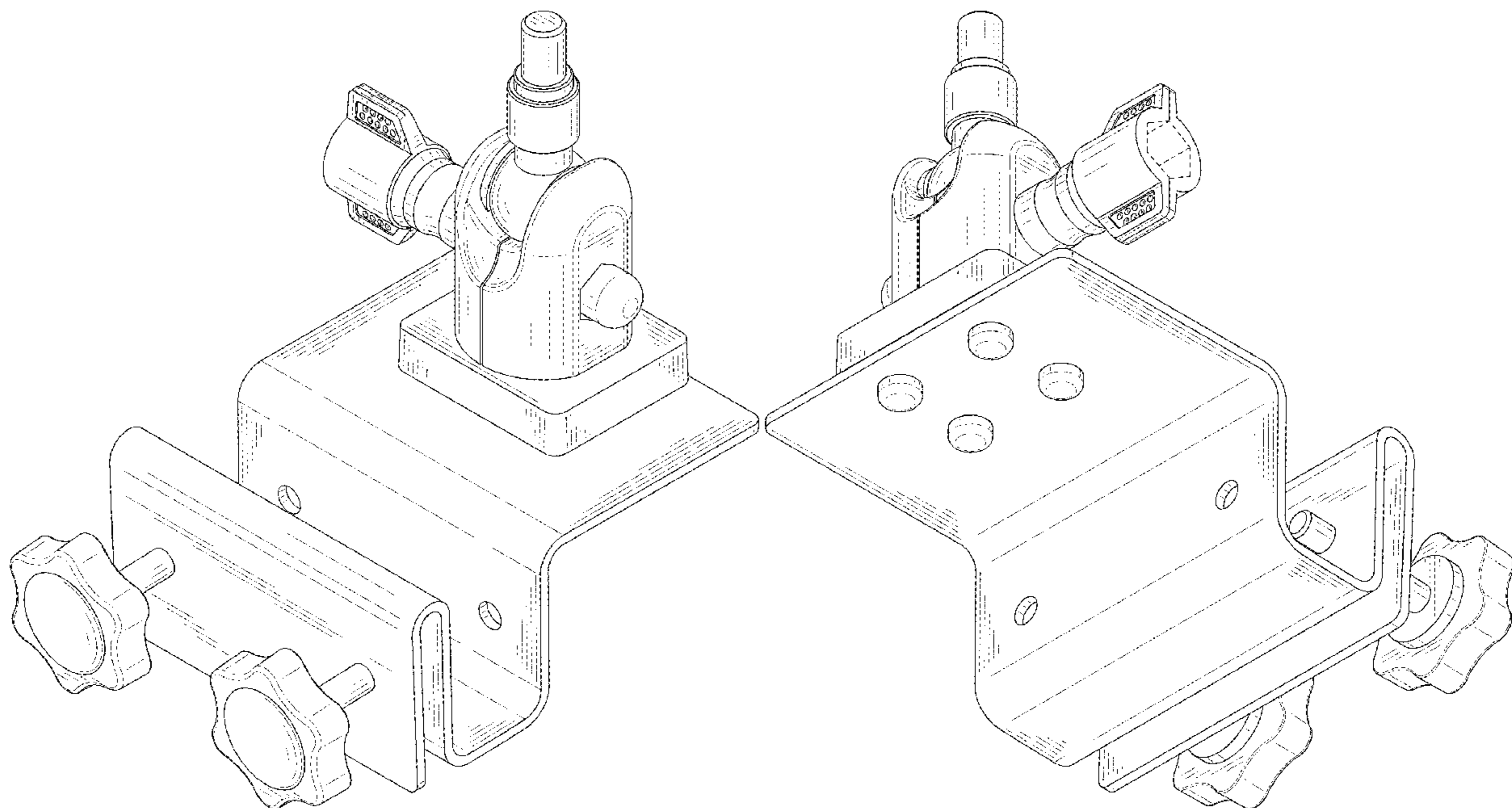
(57) **CLAIM**

The ornamental design for a sink support, as shown and described.

DESCRIPTION

FIG. 1 is a top, front, right side perspective view of a sink support, showing my design.
 FIG. 2 is a bottom, rear, left side perspective view thereof.
 FIG. 3 is a front elevation view thereof.
 FIG. 4 is a rear elevation view thereof.
 FIG. 5 is a left side elevation view thereof.
 FIG. 6 is a right side elevation view thereof.
 FIG. 7 is a top plan view thereof; and,
 FIG. 8 is a bottom plan view thereof.
 The broken lines shown in the drawings are included for the purpose of illustrating portions of the sink support that form no part of the claimed design.

1 Claim, 8 Drawing Sheets



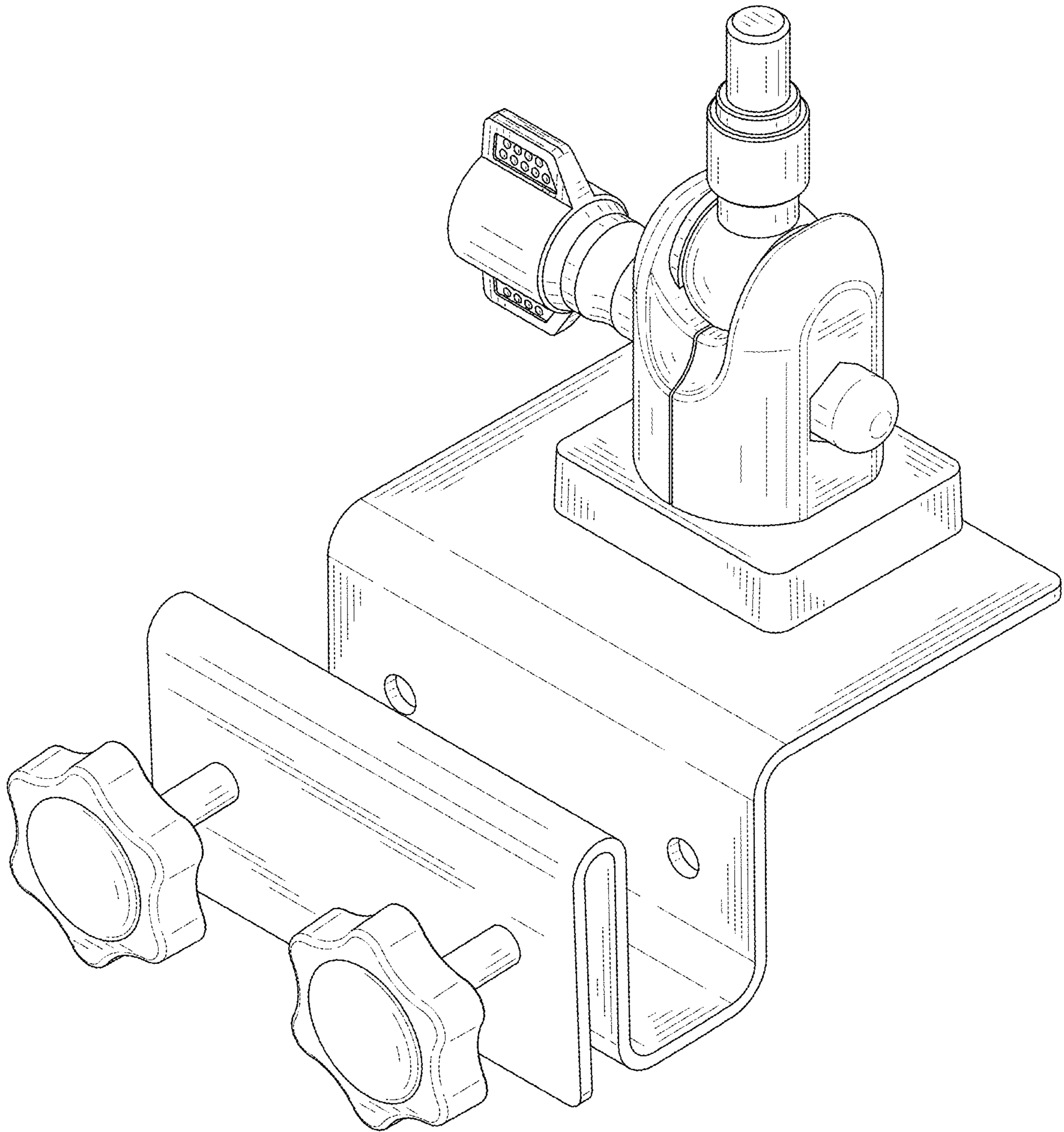


FIG. 1

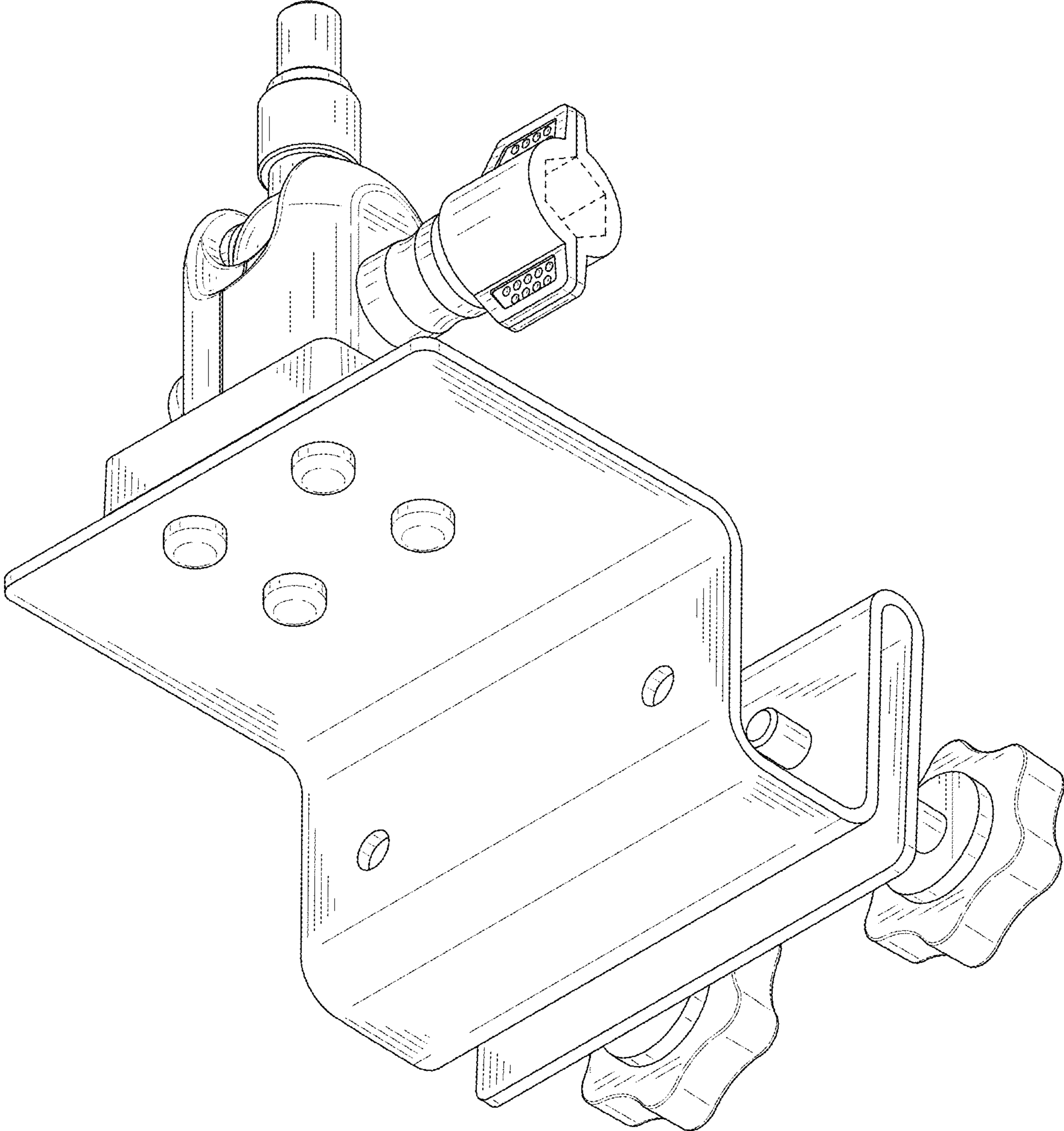


FIG. 2

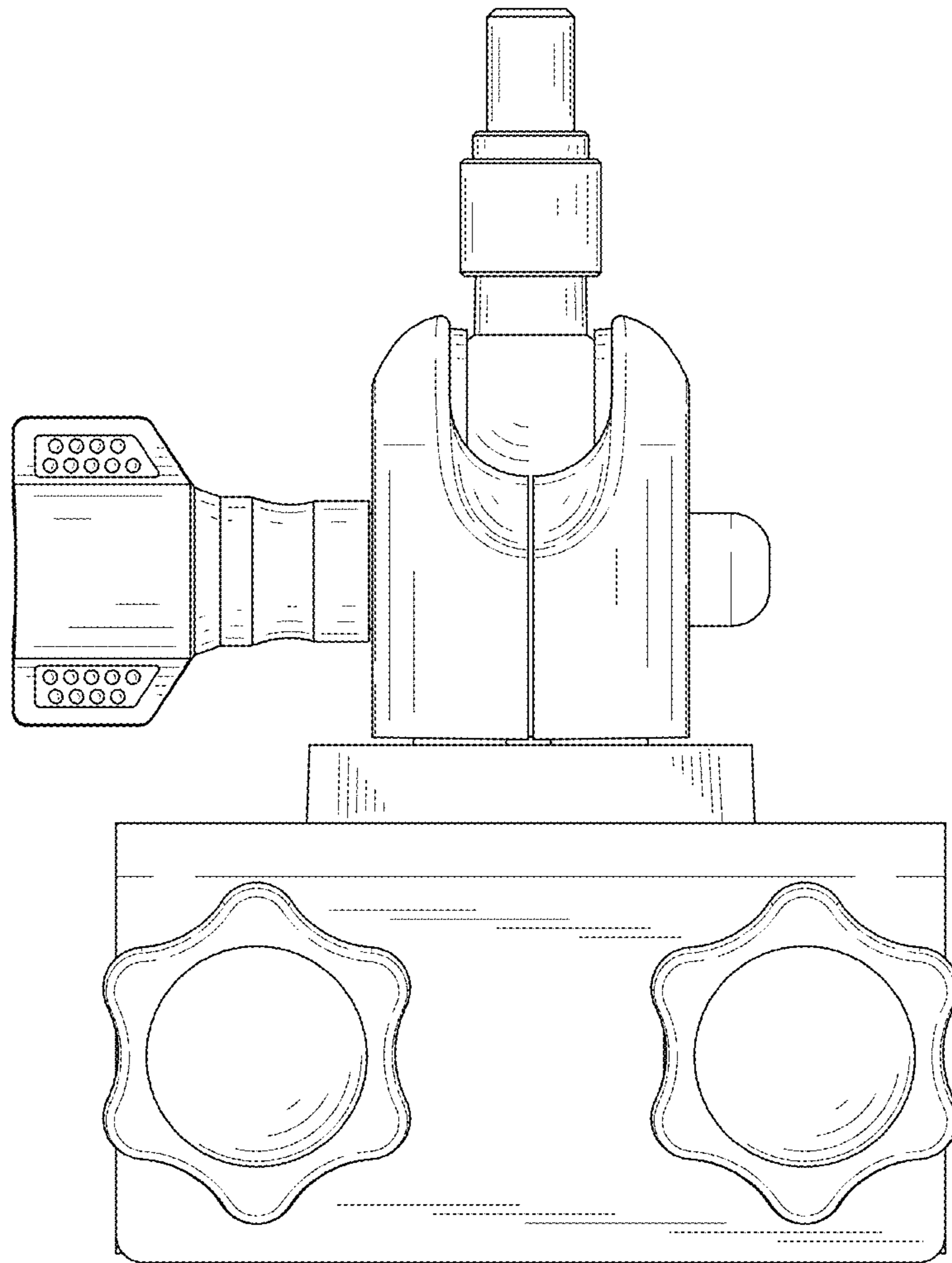


FIG. 3

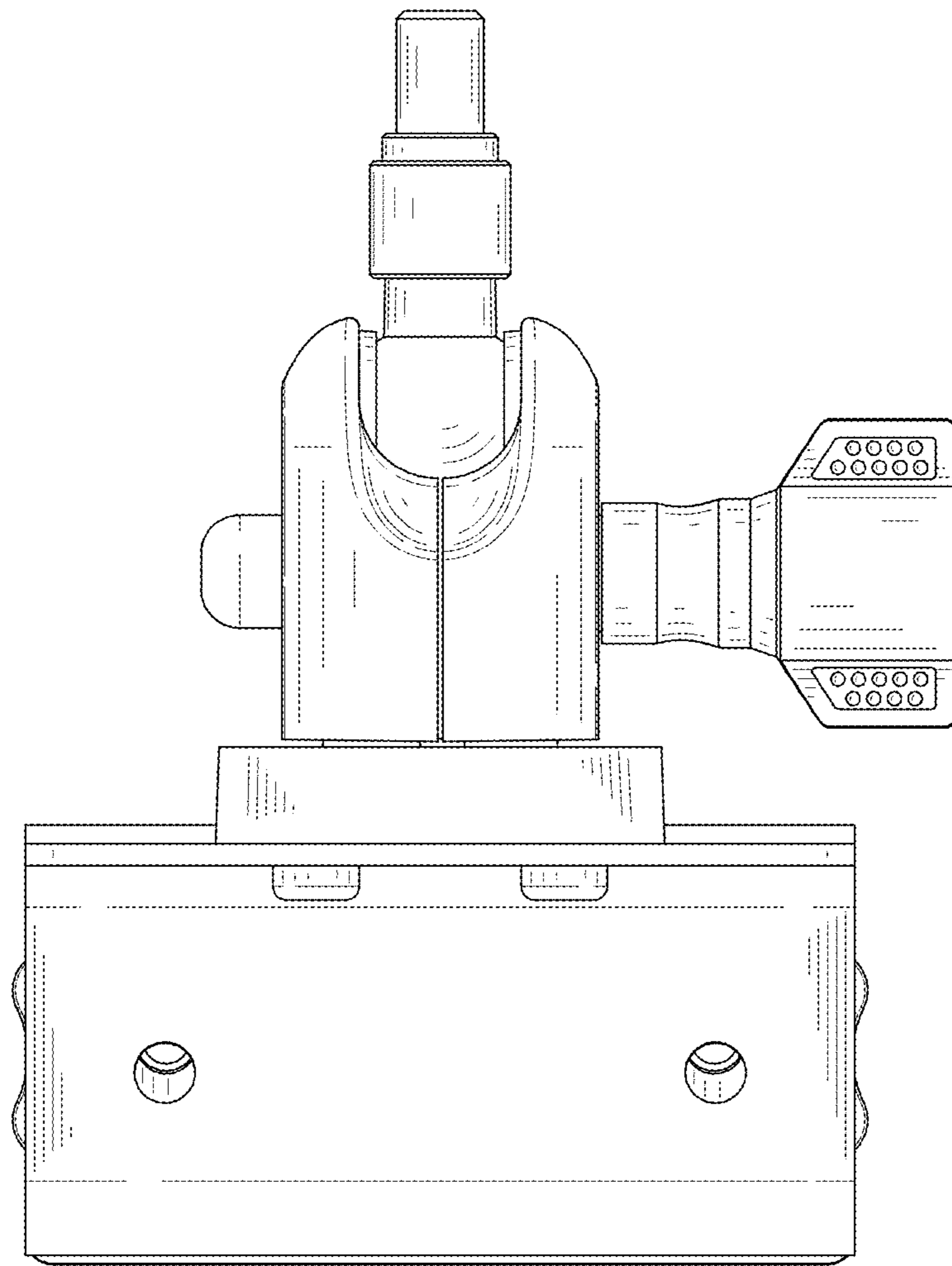


FIG. 4

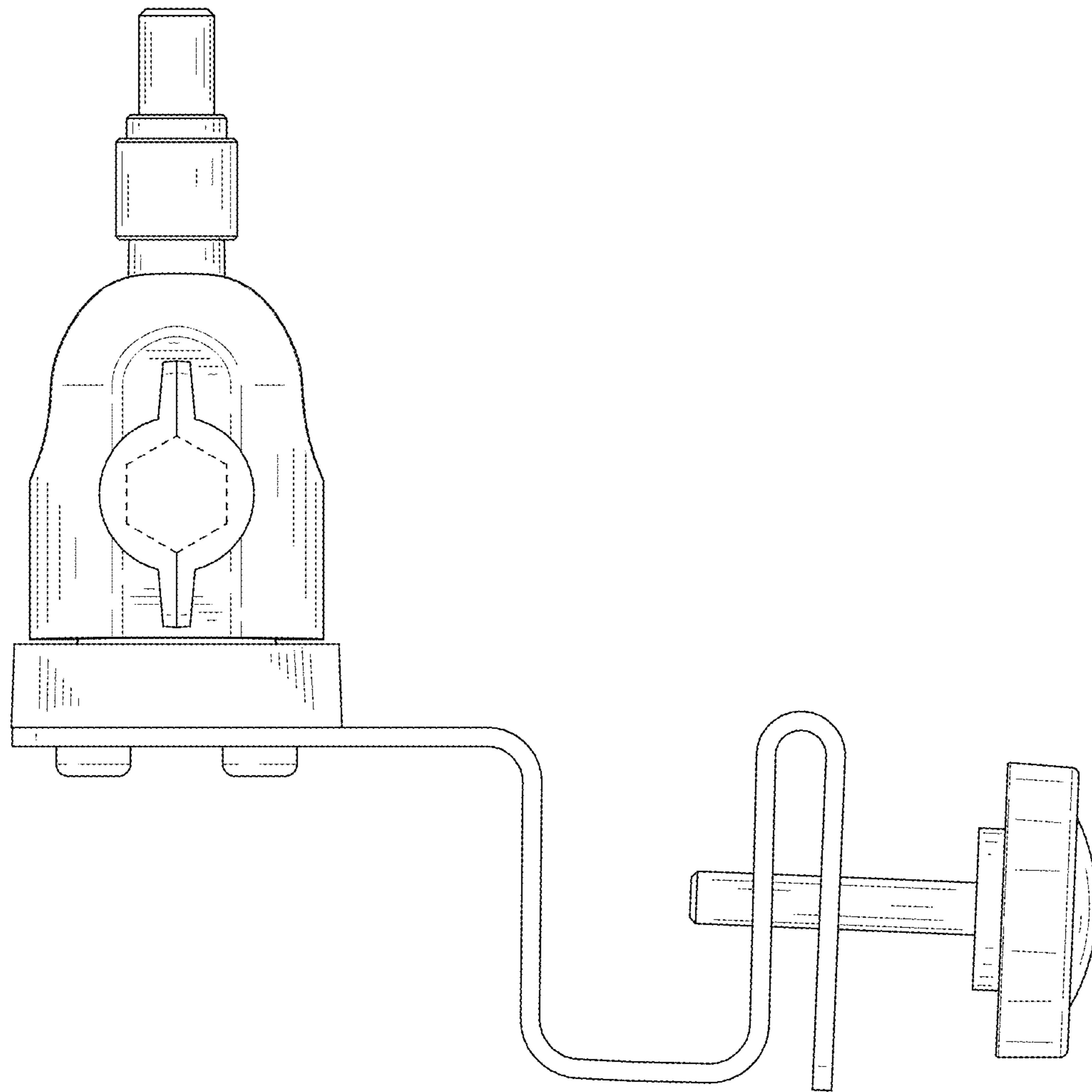


FIG. 5

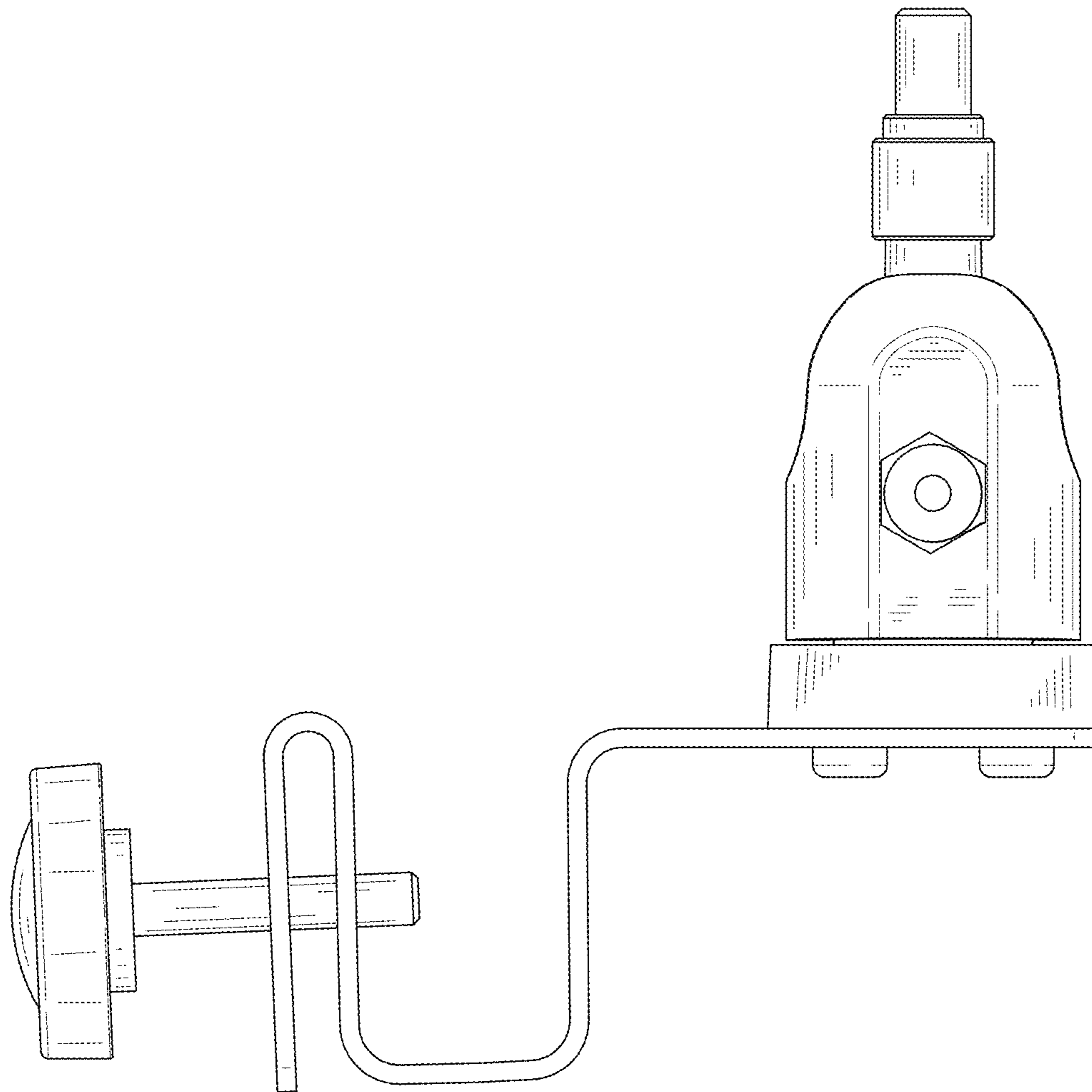


FIG. 6

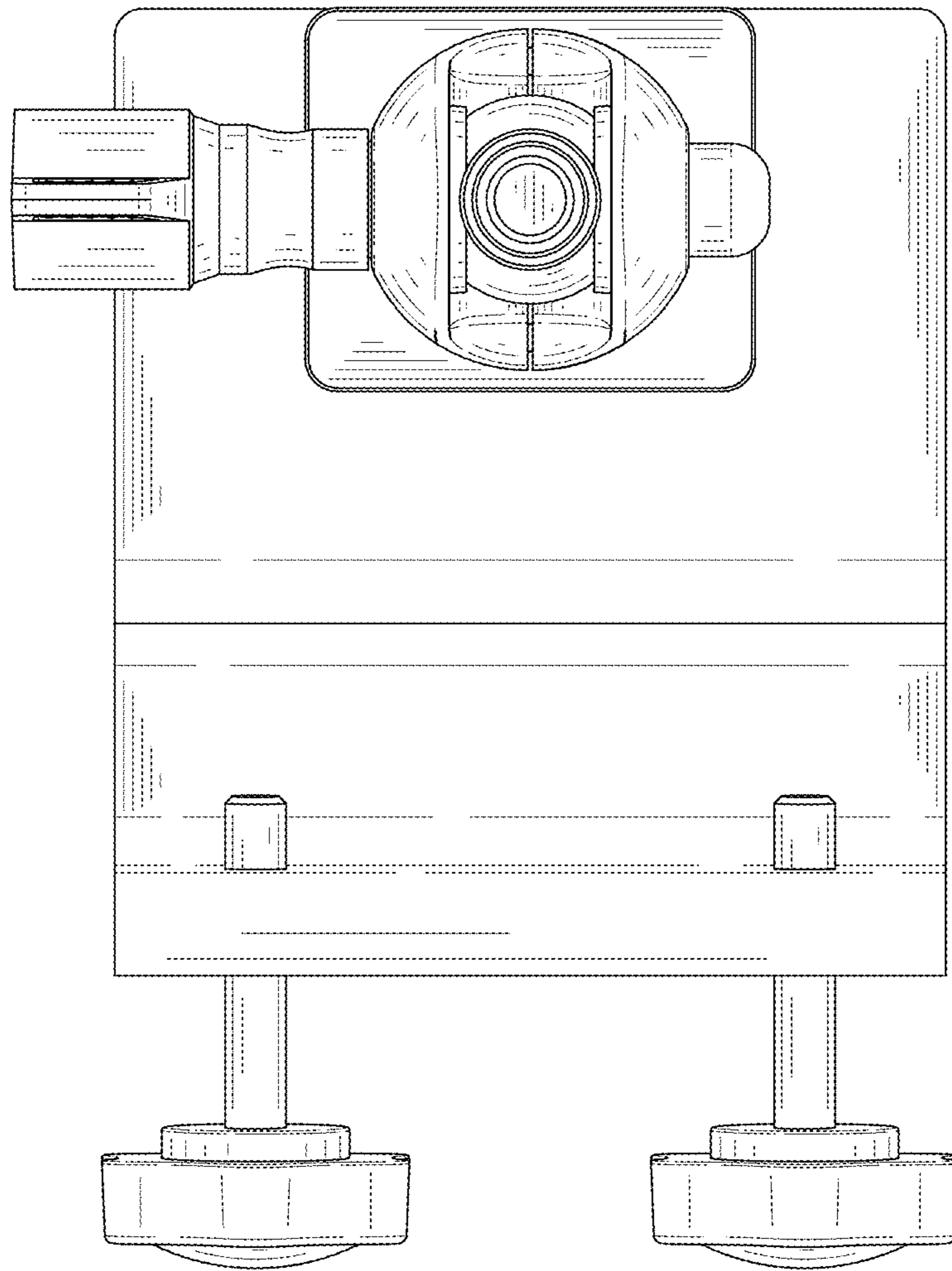


FIG. 7

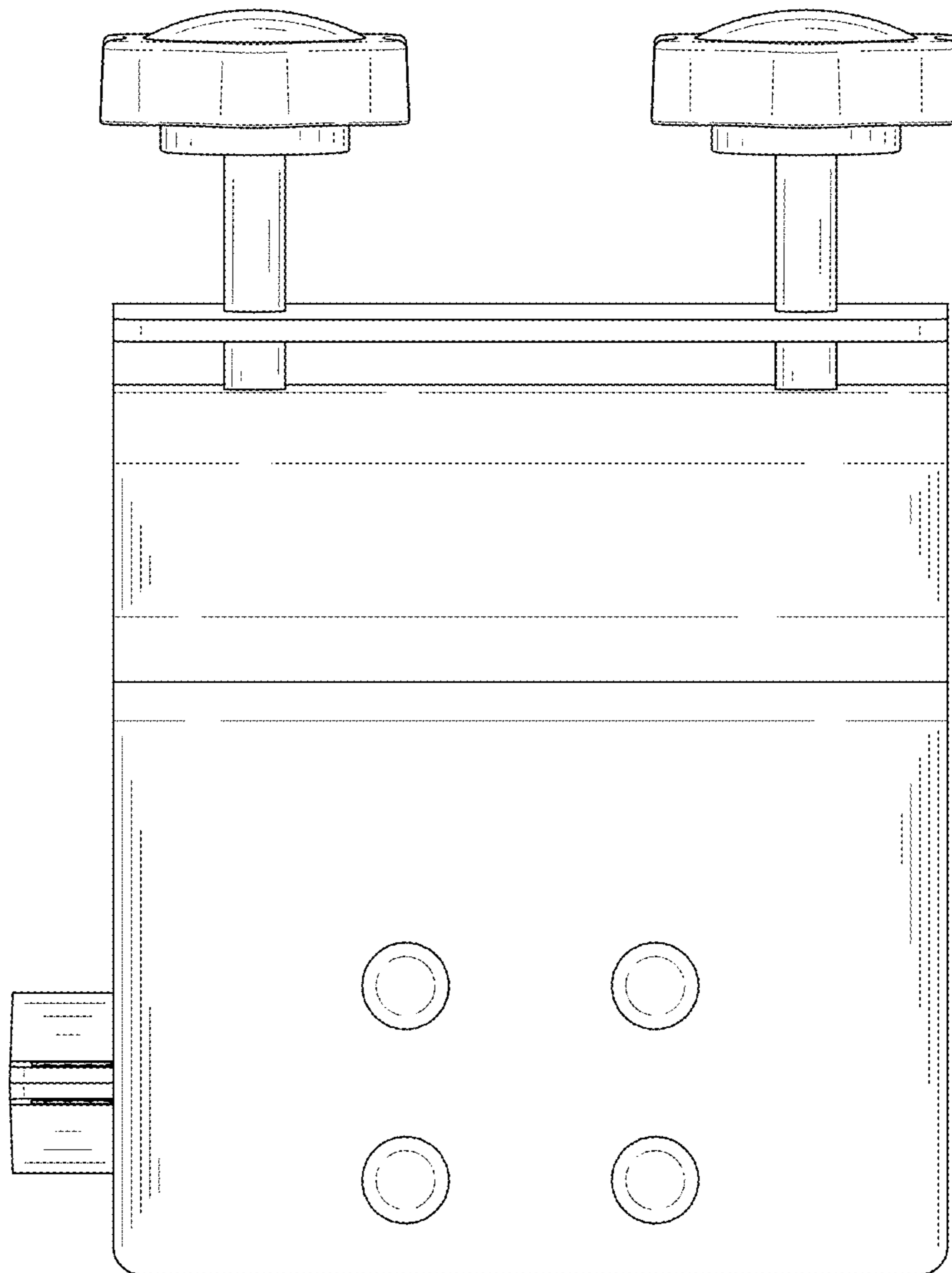


FIG. 8