



US00D951058S

(12) **United States Design Patent** (10) **Patent No.:** **US D951,058 S**
Duke (45) **Date of Patent:** **** May 10, 2022**

(54) **COUPLING SHACKLE**
(71) Applicant: **Saturn Innovations Limited**, Pukekohe (NZ)

(72) Inventor: **Noel Stephen Duke**, Pukekohe (NZ)
(73) Assignee: **Saturn Innovations Limited**, Pukekohe (NZ)

(**) Term: **15 Years**

(21) Appl. No.: **29/731,017**

(22) Filed: **Apr. 10, 2020**

(30) **Foreign Application Priority Data**

Oct. 11, 2019 (NZ) 426658

(51) **LOC (13) Cl.** **08-07**

(52) **U.S. Cl.**
USPC **D8/343**

(58) **Field of Classification Search**

USPC D8/343

CPC . E05C 9/20; E05C 9/22; E05C 9/1875; E05C 9/1883; E05C 9/1891; Y10T 292/522; Y10T 292/513; Y10T 292/558; Y10T 292/564; Y10T 292/45; Y10T 292/391; E05B 67/18

See application file for complete search history.

(56) **References Cited**

U.S. PATENT DOCUMENTS

D503,328 S * 3/2005 Catlett D8/343
D563,200 S * 3/2008 Nave D8/343
D634,605 S * 3/2011 Guimaraes D8/343
D826,028 S * 8/2018 Krohn D8/334
D865,483 S * 11/2019 Smith, Sr. D8/331

2006/0099838 A1* 5/2006 Meyers E02F 9/006 439/134
2015/0101307 A1* 4/2015 Van Steijn B63C 11/52 59/86

* cited by examiner

Primary Examiner — Doris Clark

(74) *Attorney, Agent, or Firm* — JCIP; Joseph G. Chu; Jeremy I. Maynard

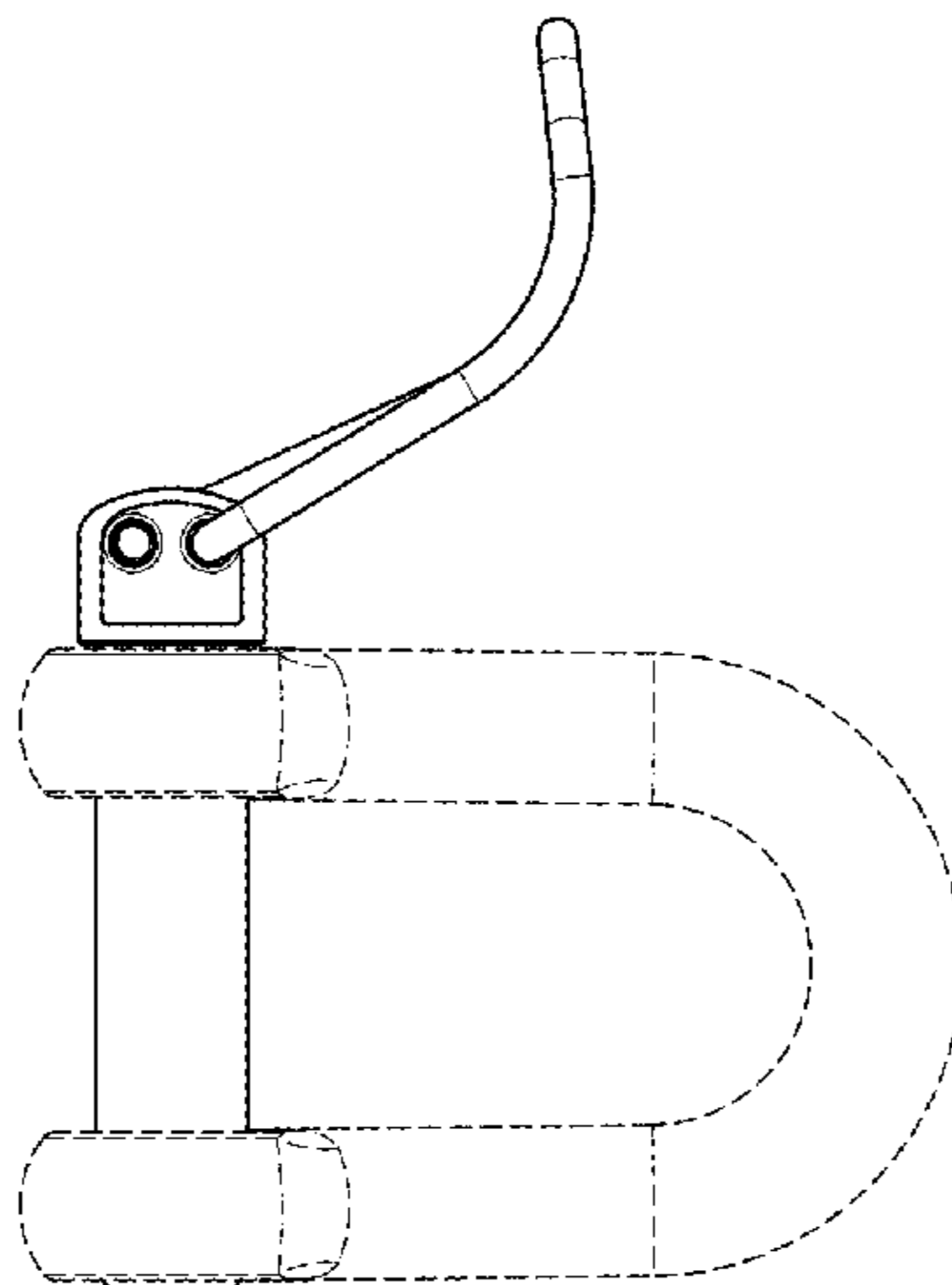
(57) **CLAIM**

The ornamental design for a coupling shackle, as shown and described.

DESCRIPTION

FIG. 1 is a right side view of a coupling shackle;
FIG. 2 is a right side view of the coupling shackle in an alternate position;
FIG. 3 is a rear view of the coupling shackle;
FIG. 4 is a rear view of the coupling shackle in an alternate position;
FIG. 5 is a front view of the coupling shackle;
FIG. 6 is a front view of the coupling shackle in an alternate position;
FIG. 7 is a left side view of the coupling shackle;
FIG. 8 is a left side view of the coupling shackle in an alternate position;
FIG. 9 is a top plan view of the coupling shackle;
FIG. 10 is a top plan view of the coupling shackle in an alternate position;
FIG. 11 is a bottom plan view of the coupling shackle;
FIG. 12 is a bottom plan view of the coupling shackle in an alternate position;
FIG. 13 is a perspective view of the coupling shackle;
FIG. 14 is a perspective view of the coupling shackle in an alternate position;
FIG. 15 is an exploded perspective view of the coupling shackle;
FIG. 16 is an exploded right side view of the coupling shackle; and,
FIG. 17 is an exploded left side view of the coupling shackle.
The broken lines are used to illustrate unclaimed environment and form no part of the claimed design.

1 Claim, 17 Drawing Sheets



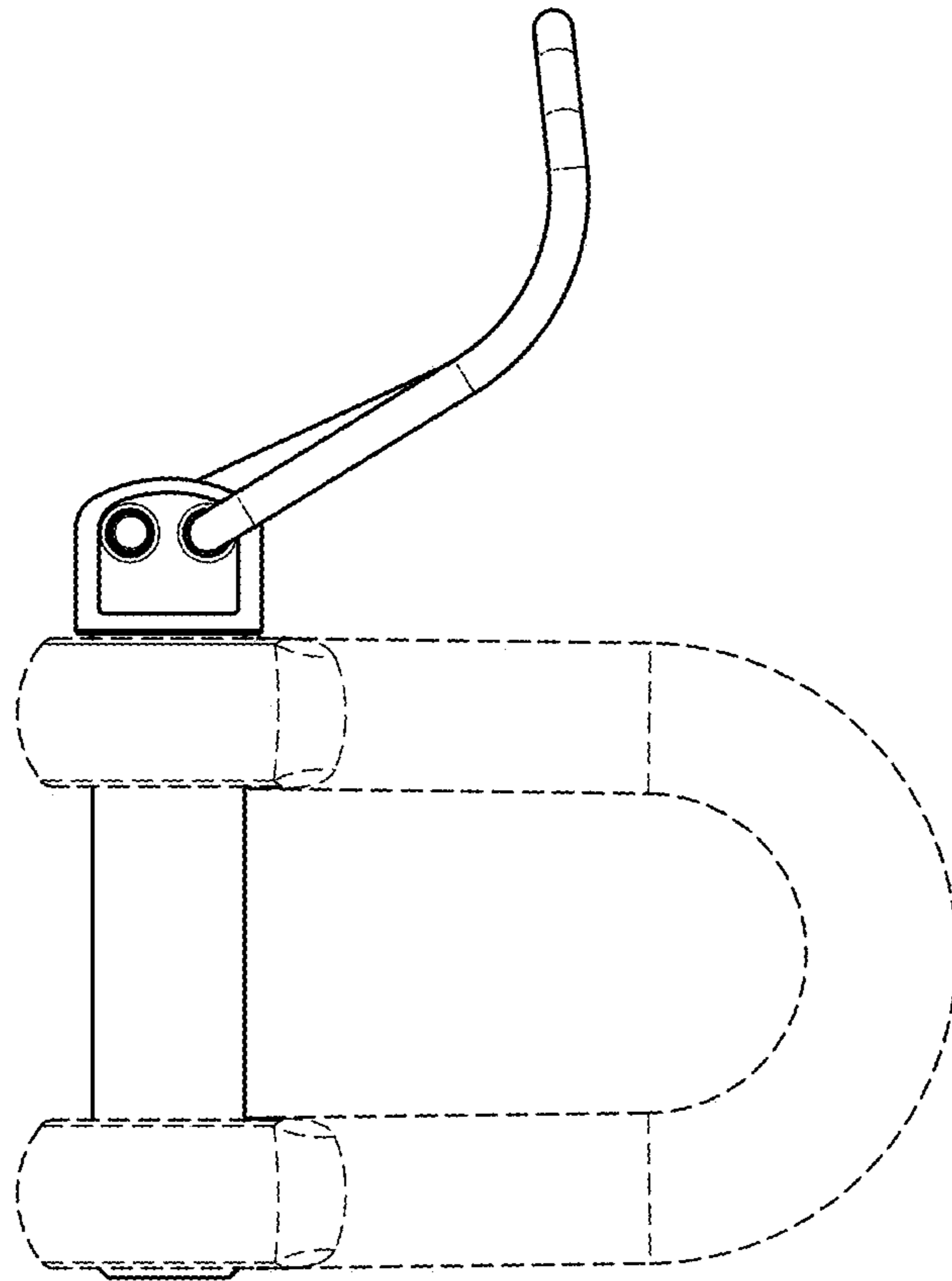


FIG. 1

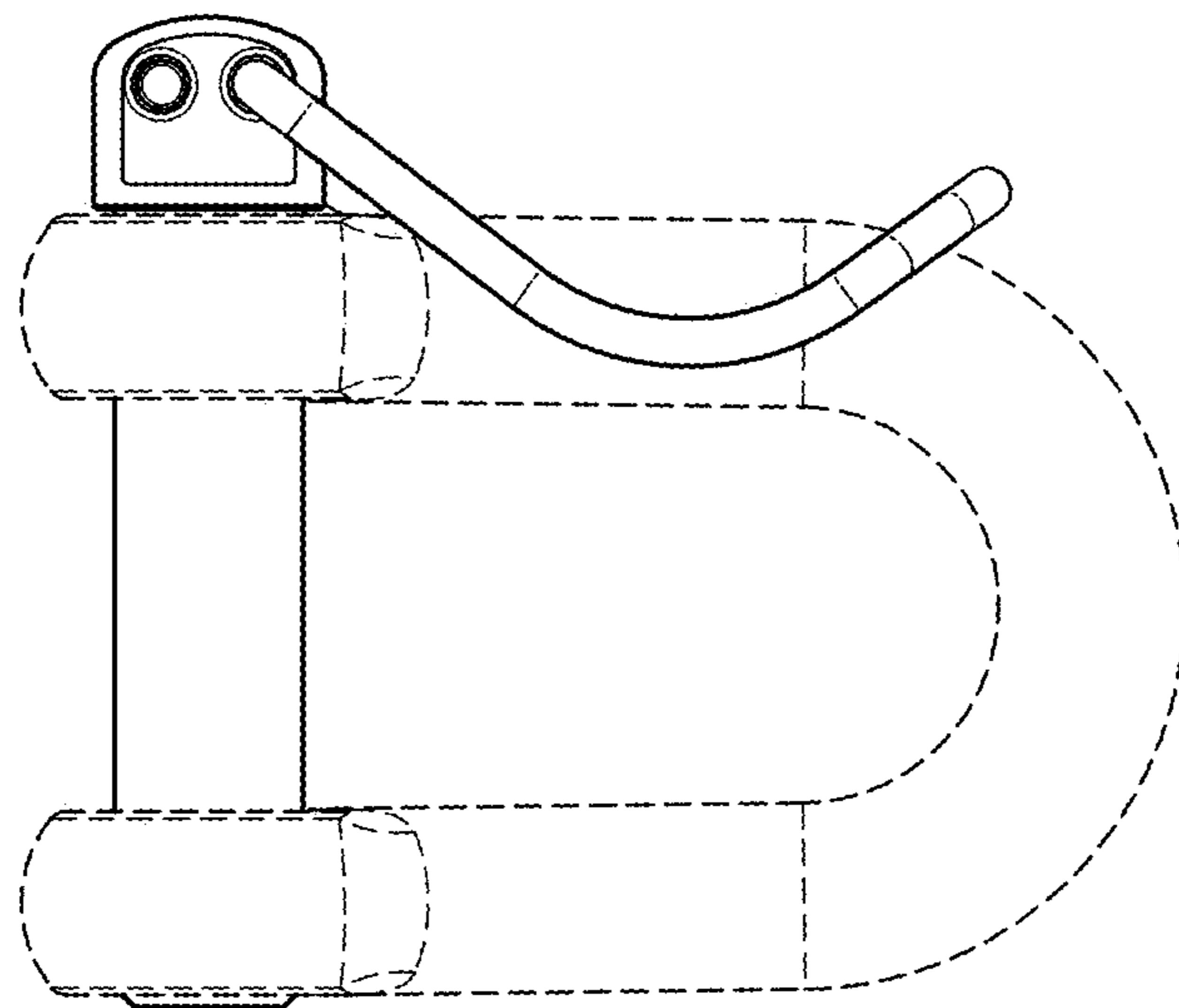


FIG. 2

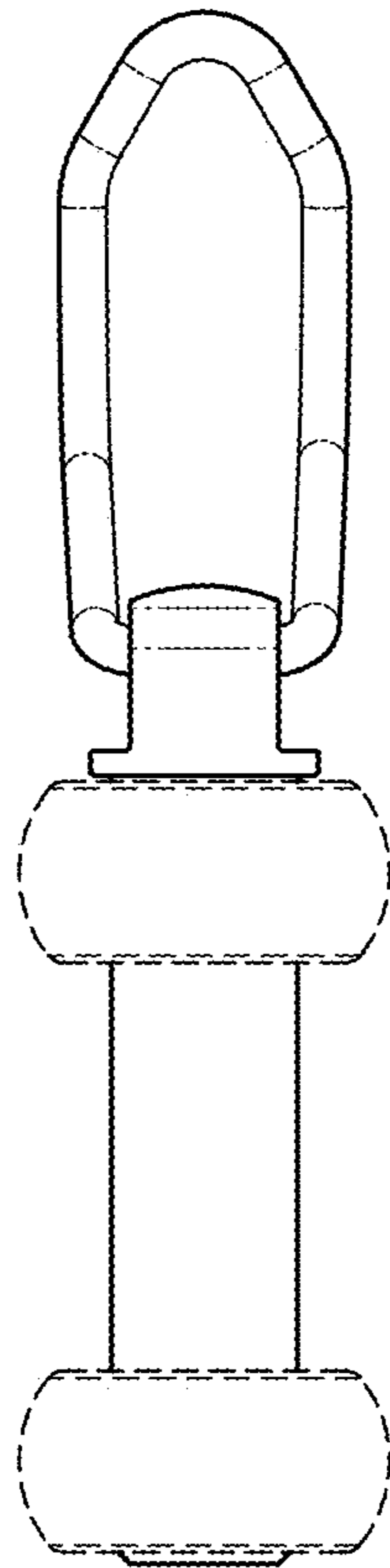


FIG. 3

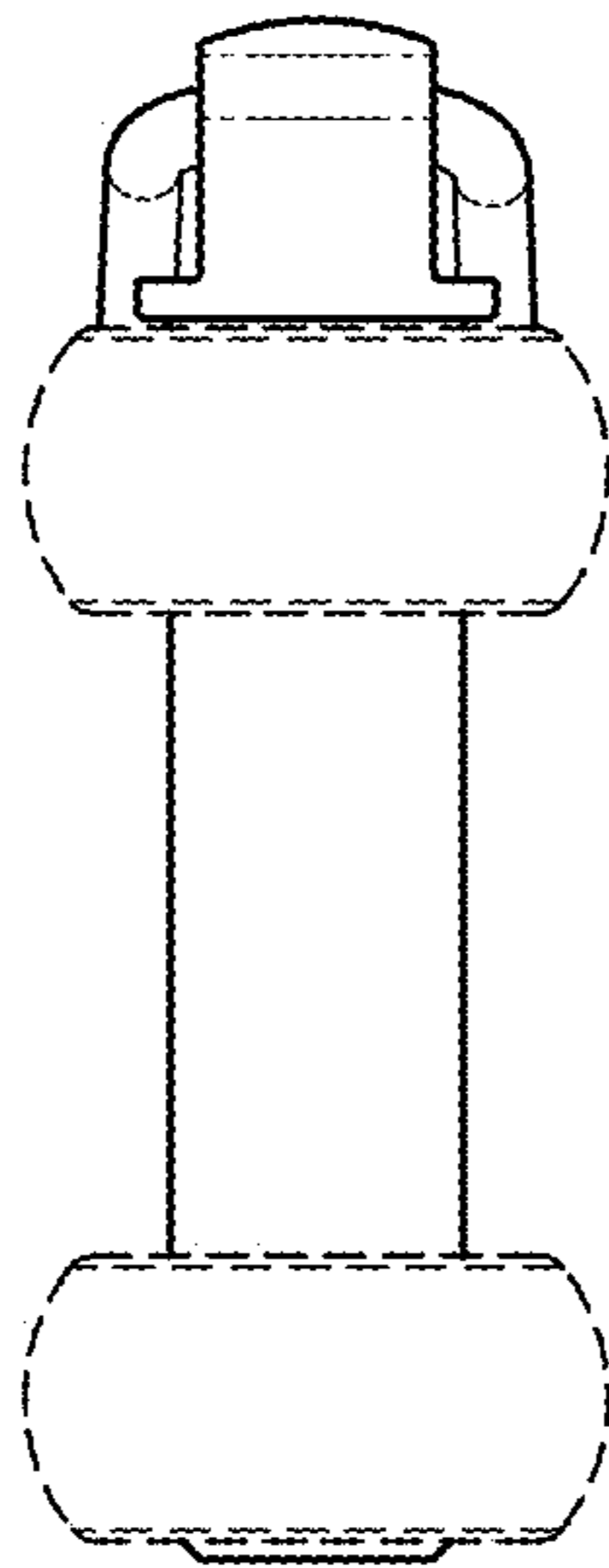


FIG. 4

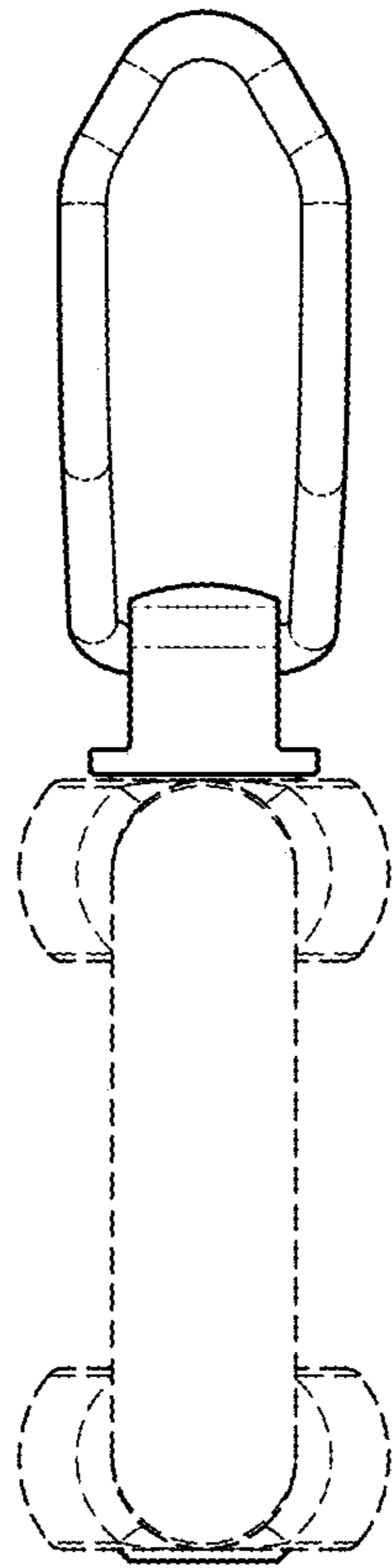


FIG. 5

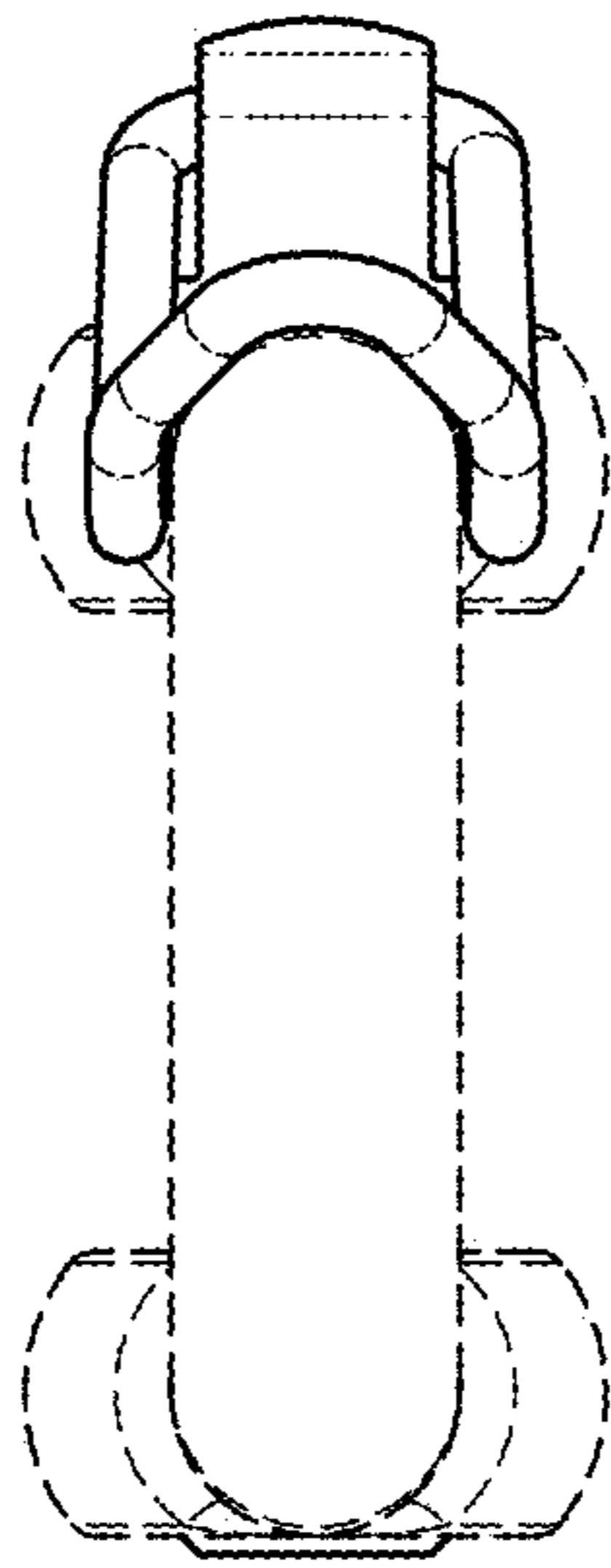


FIG. 6

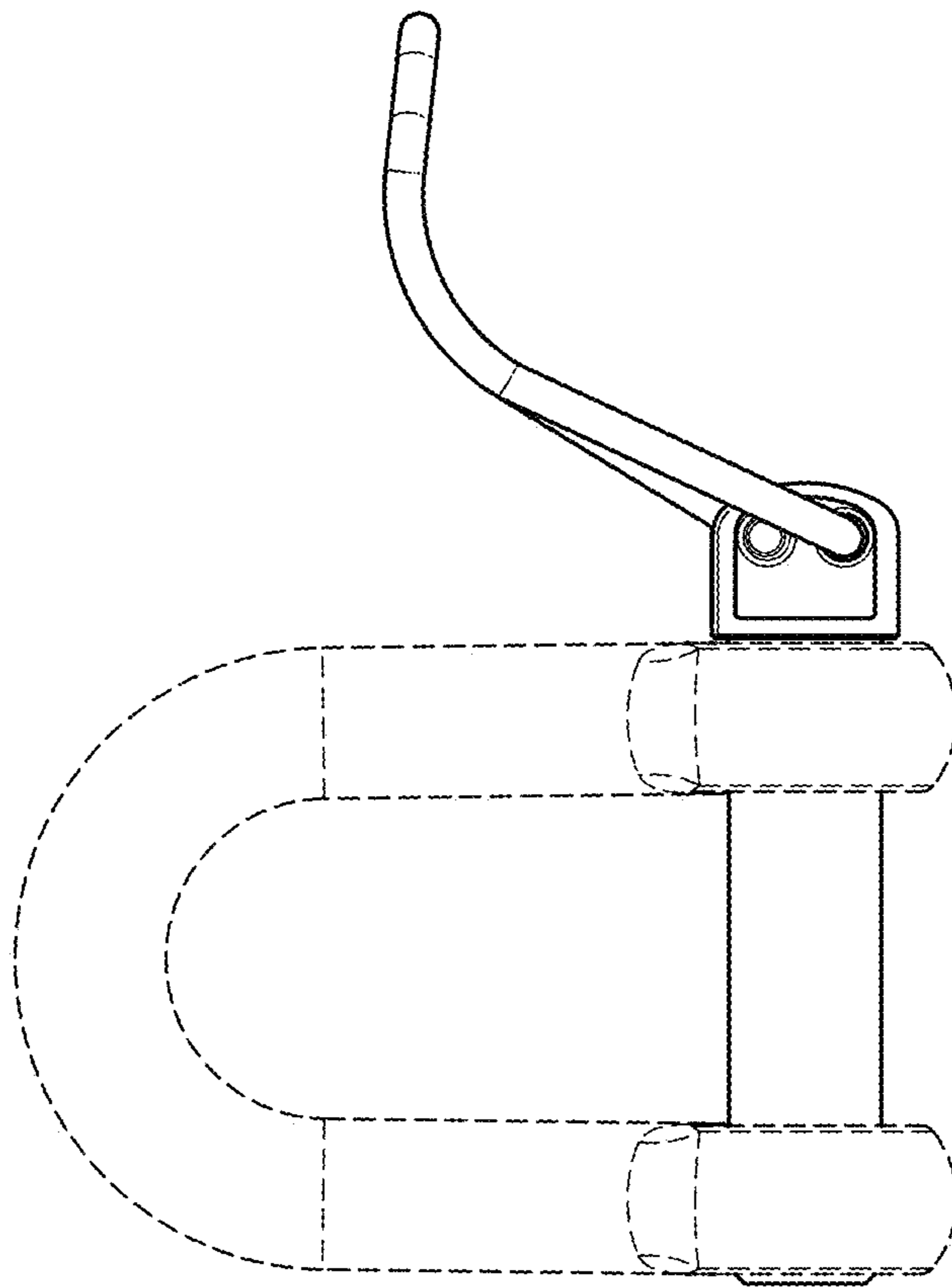


FIG. 7

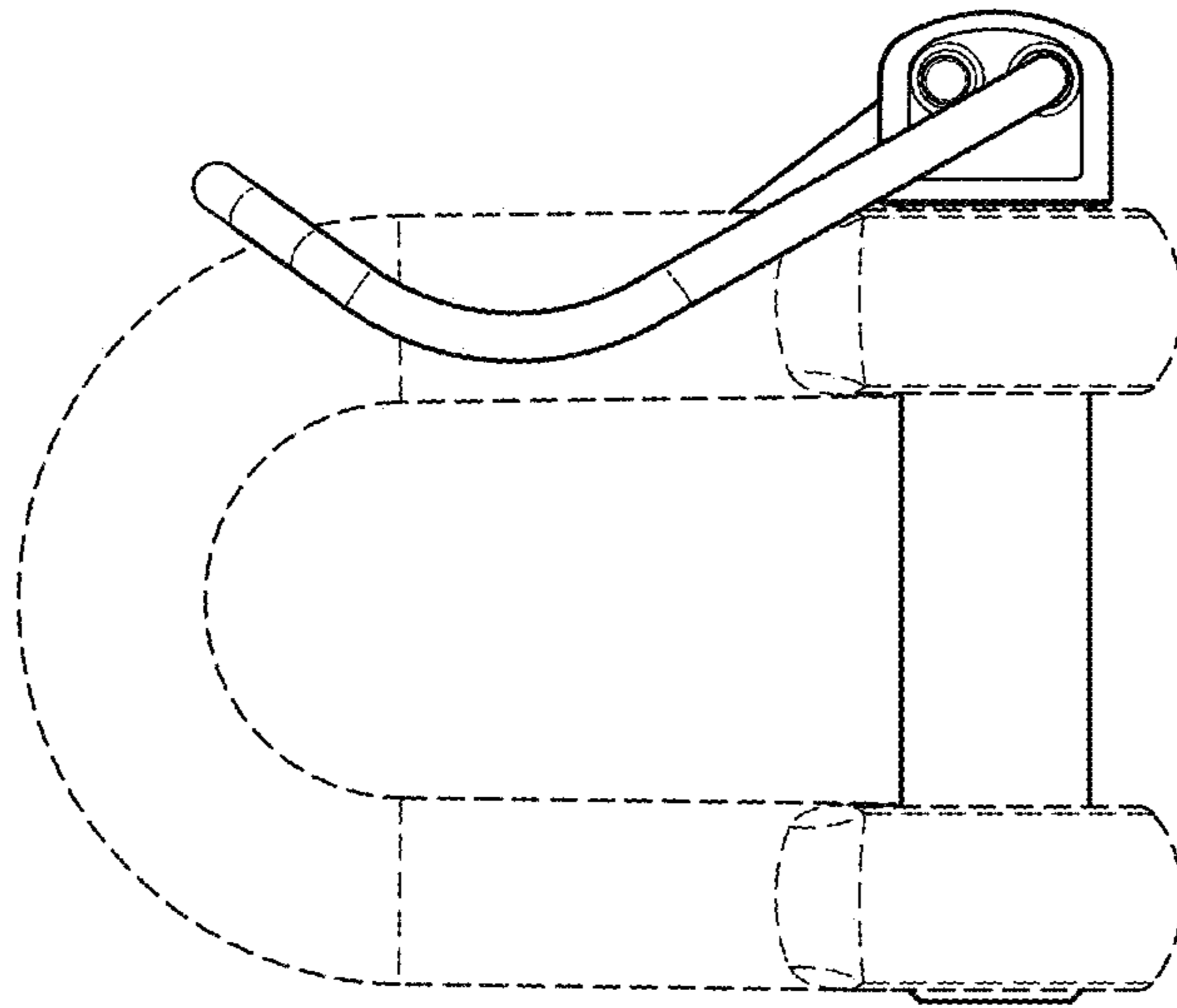


FIG. 8

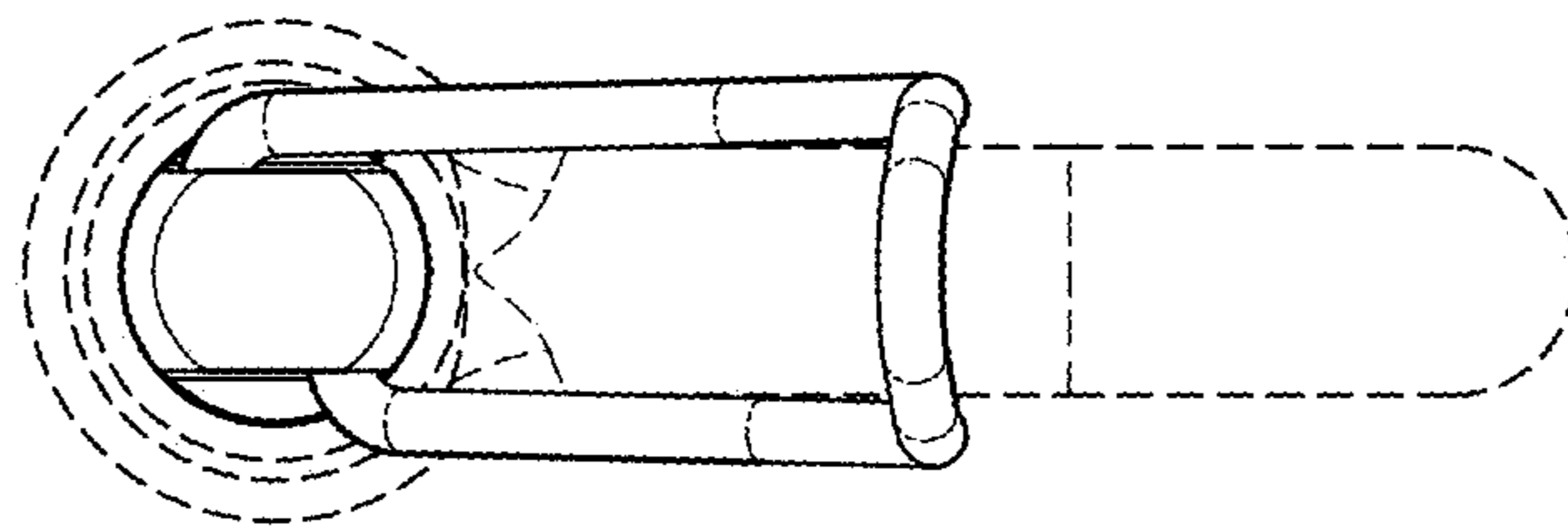


FIG. 9

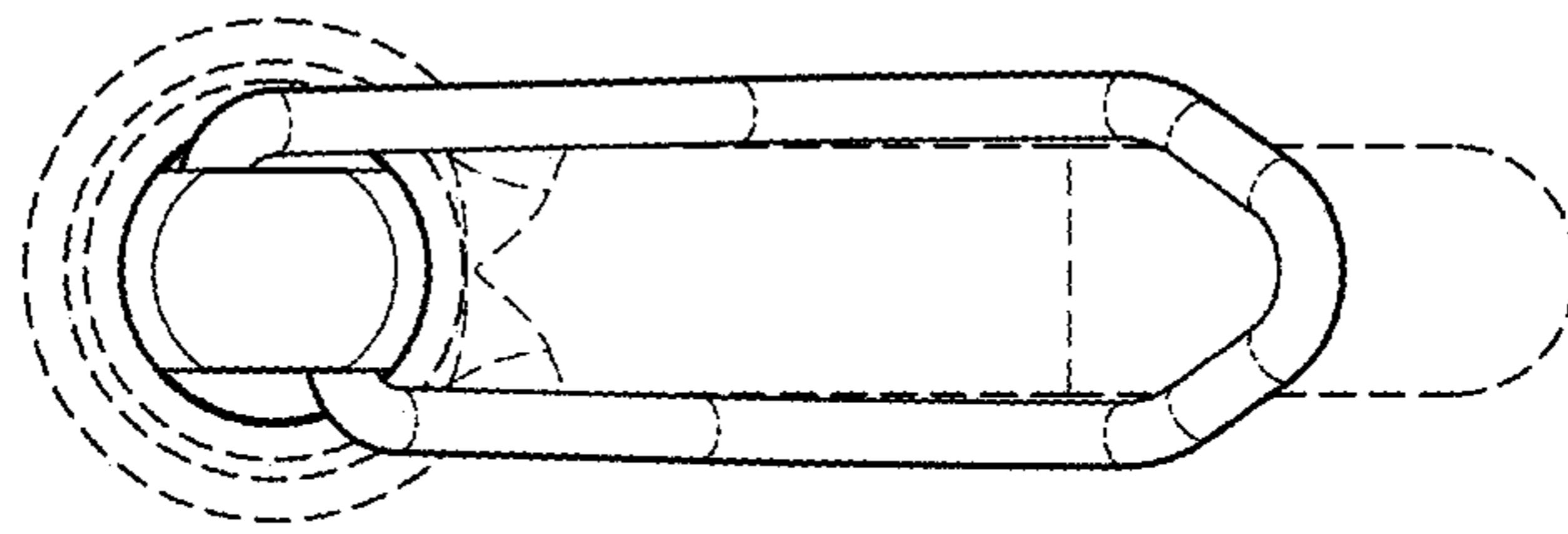


FIG. 10

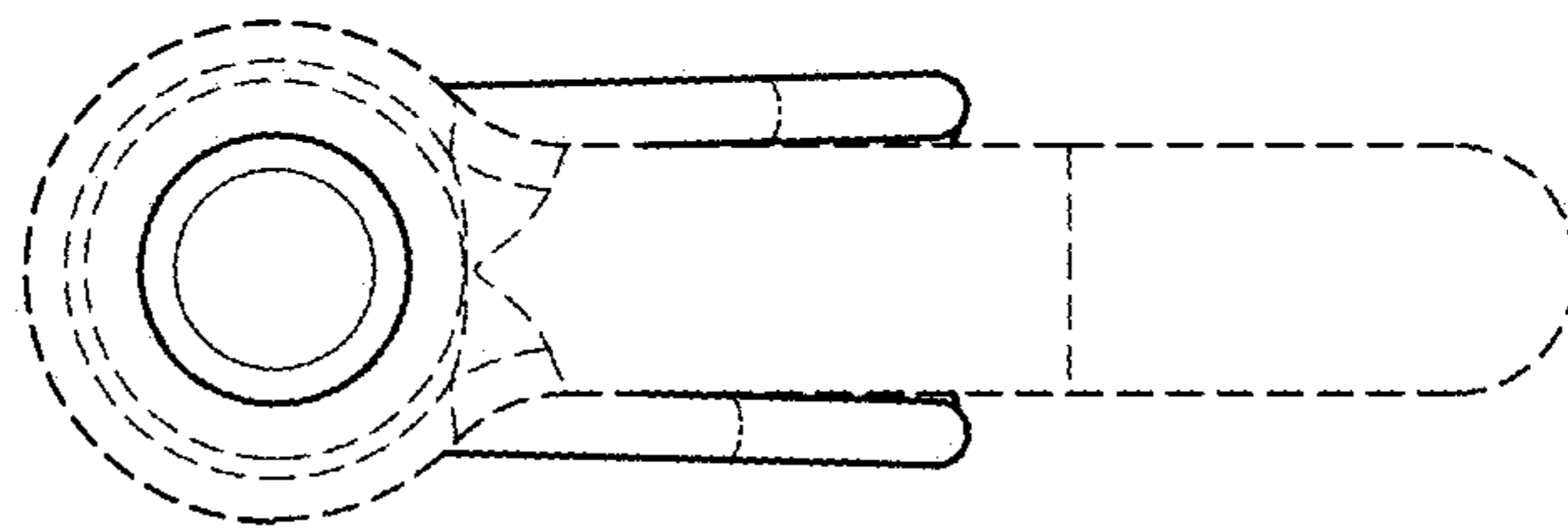


FIG. 11

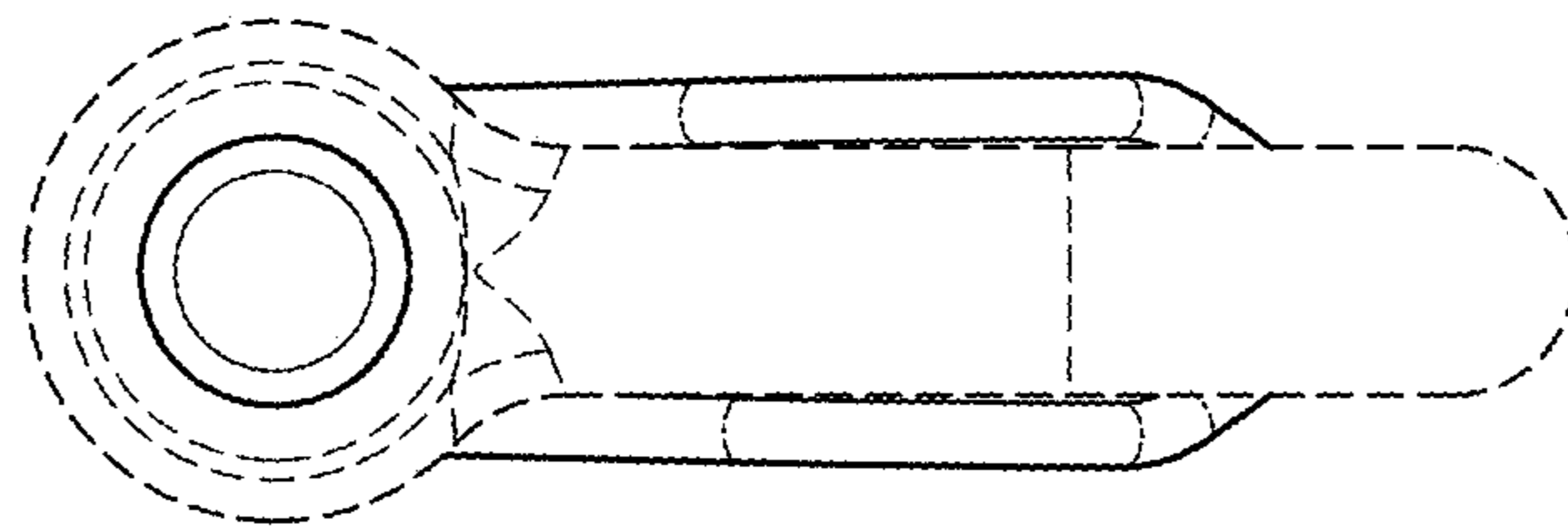


FIG. 12

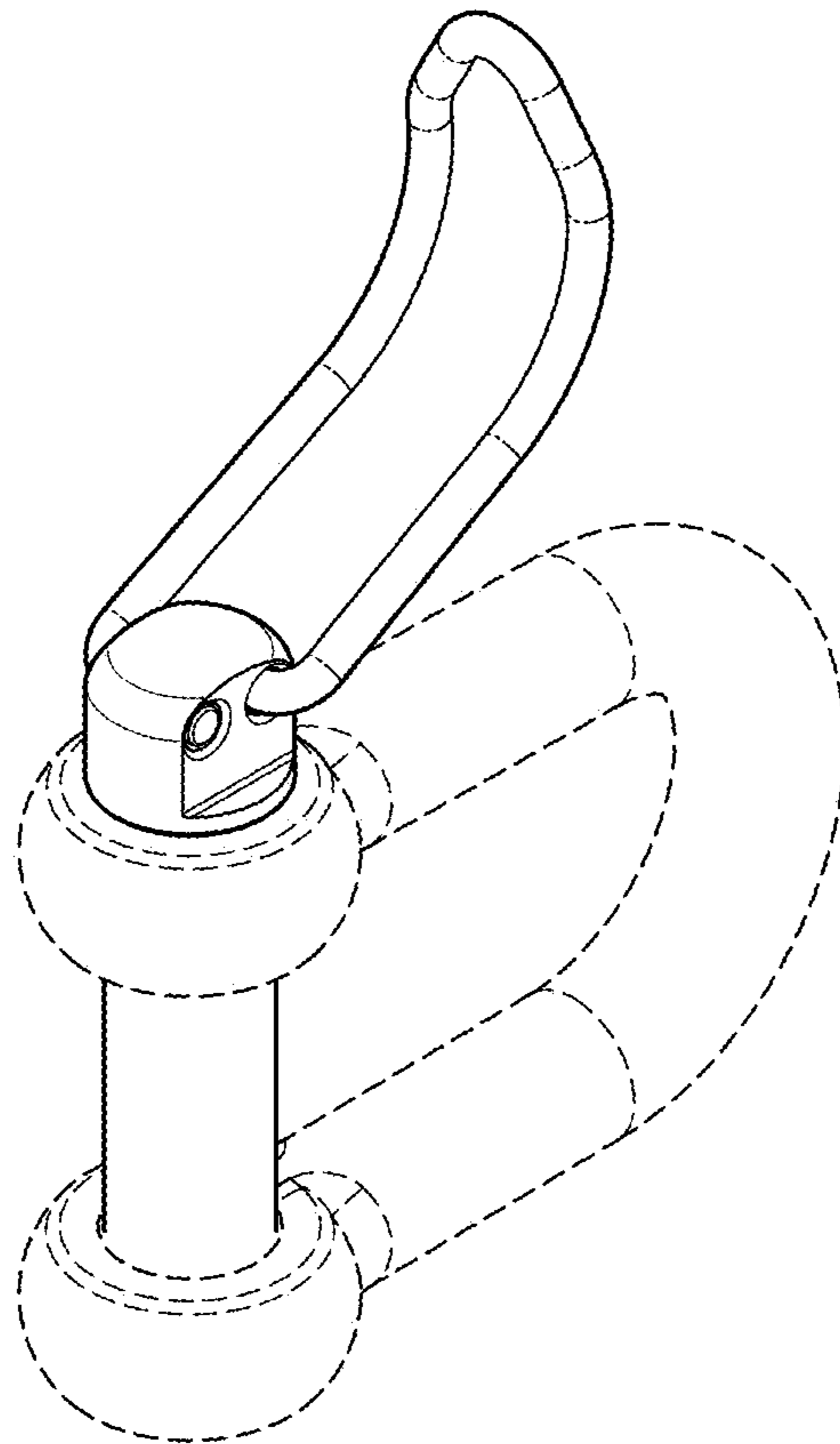


FIG. 13

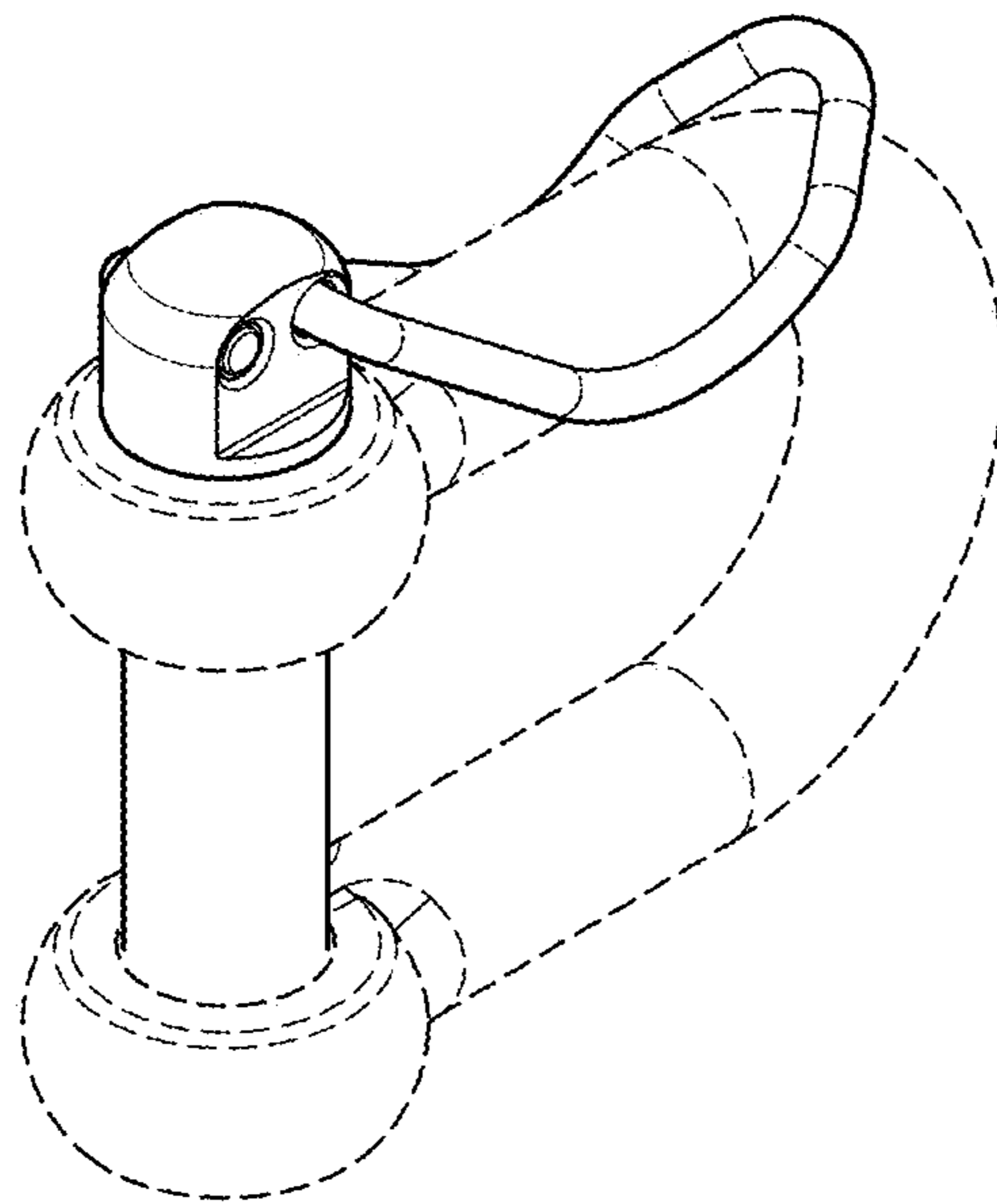


FIG. 14

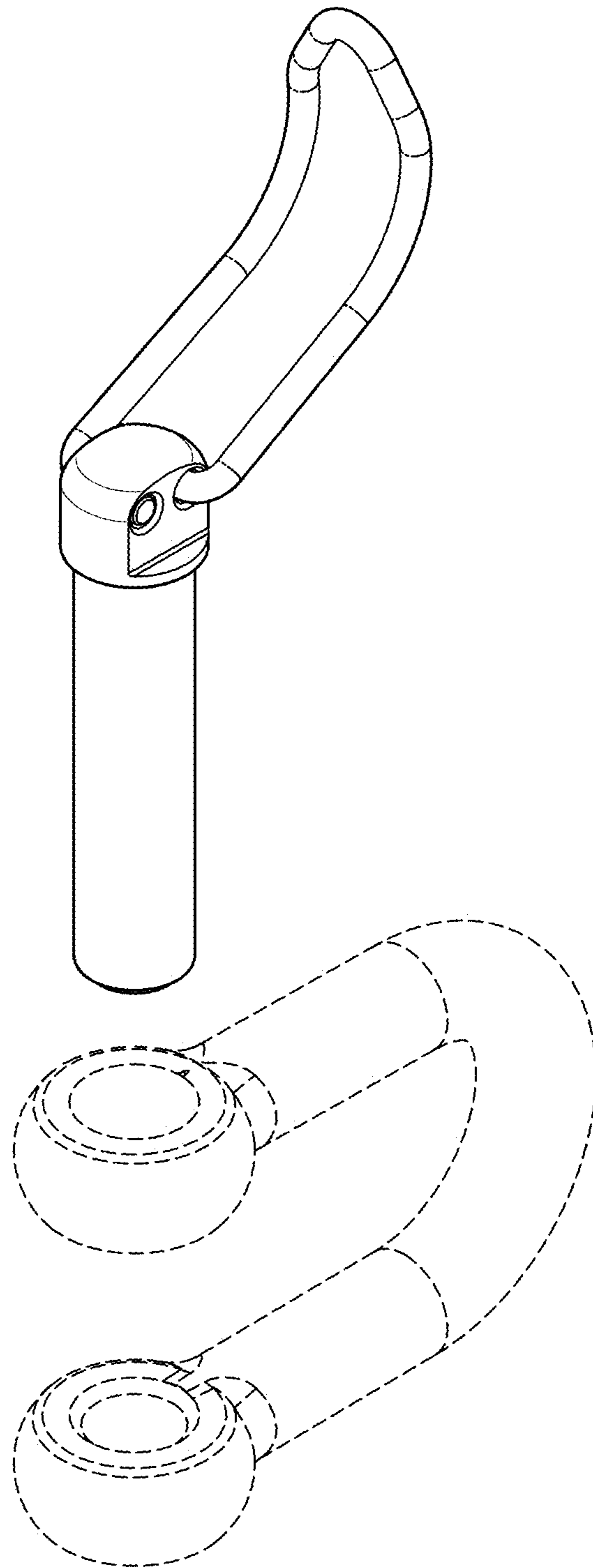


FIG. 15

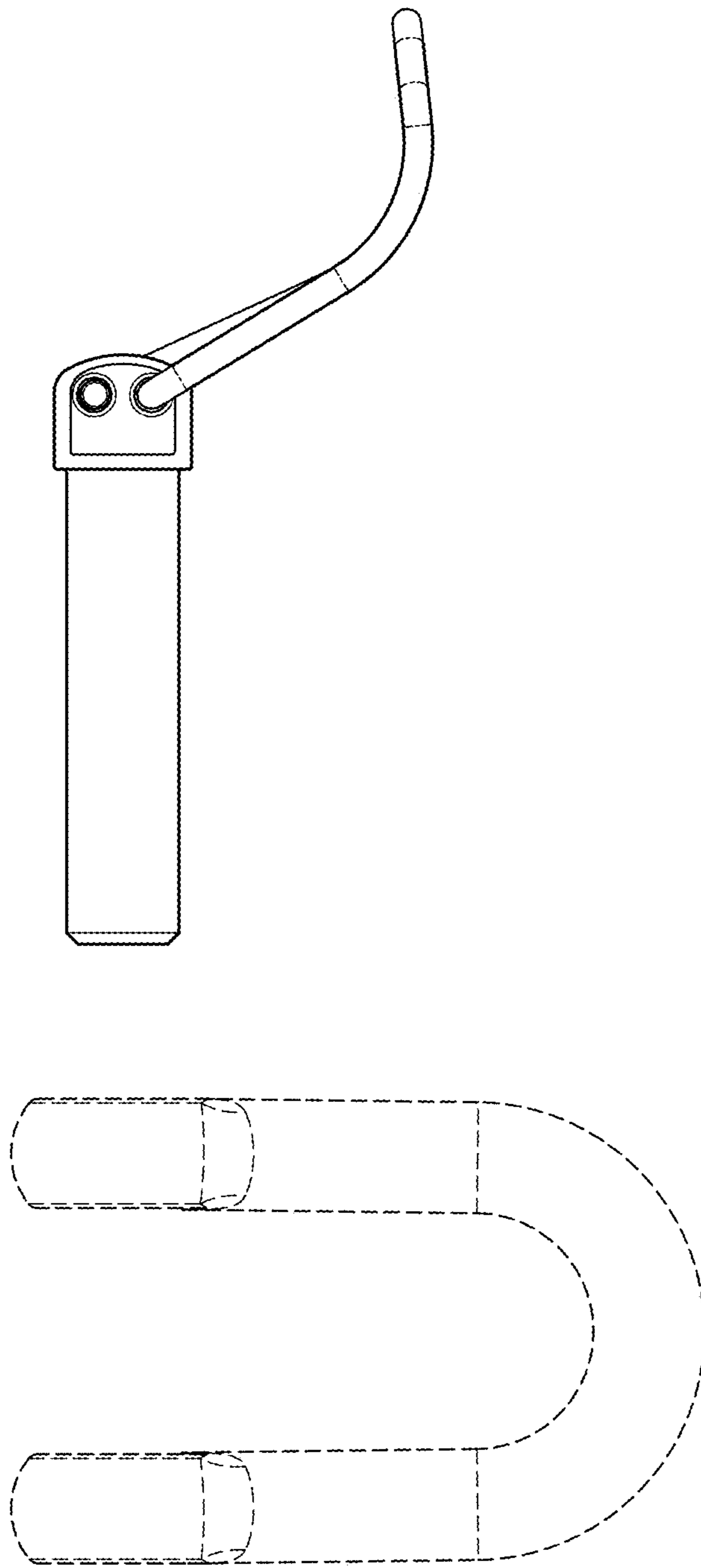


FIG. 16

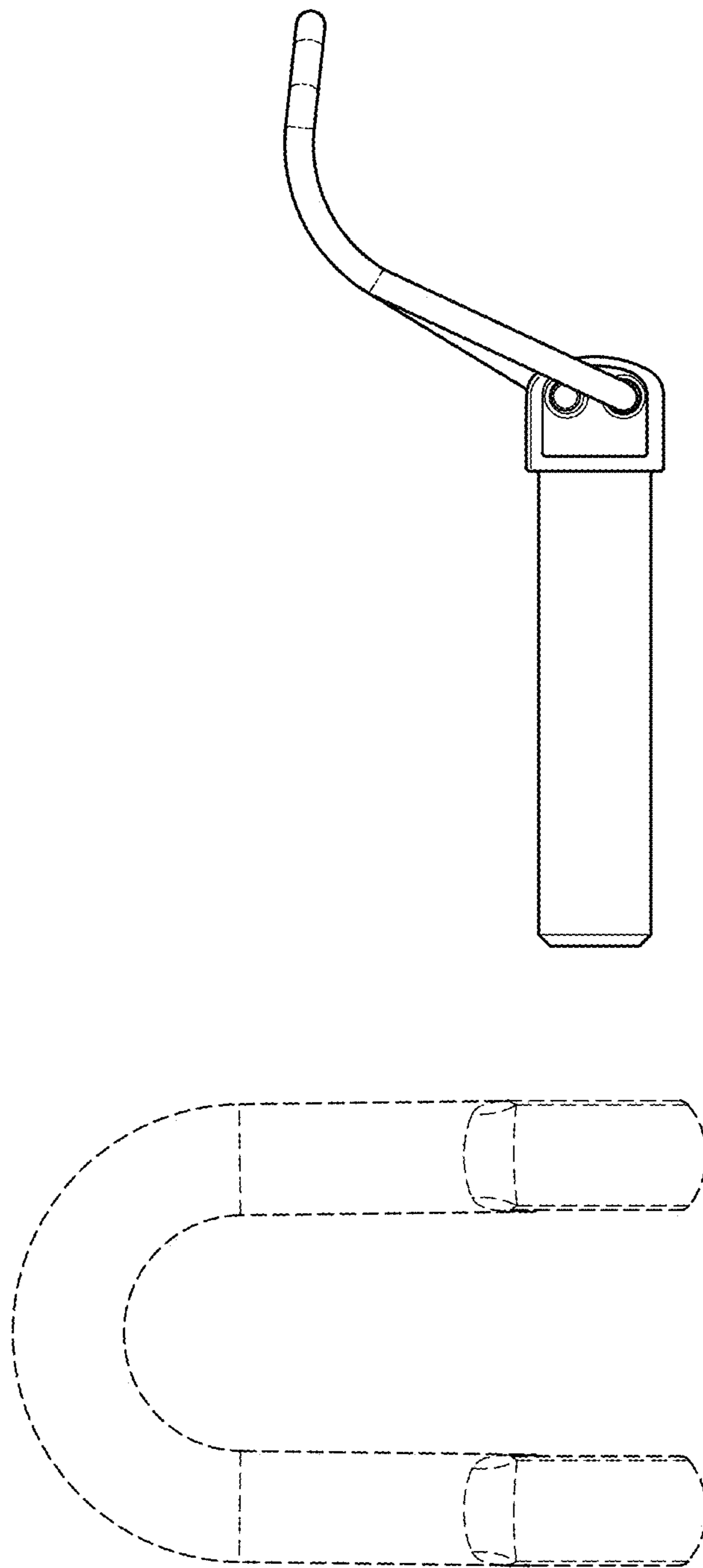


FIG. 17