



US00D951056S

(12) **United States Design Patent** (10) **Patent No.:** **US D951,056 S**  
**Li** (45) **Date of Patent:** **\*\* May 10, 2022**

(54) **MULTI-FUNCTIONAL TOOL**  
(71) Applicant: **Pingxiang Juyuan Culture Communication Co., Ltd.**, Pingxiang (CN)  
(72) Inventor: **Jianju Li**, Pingxiang (CN)  
(73) Assignee: **Pingxiang Juyuan Culture Communication Co., Ltd.**, Pingxiang (CN)

D630,079 S 1/2011 Seeds et al.  
D808,764 S \* 1/2018 Weinberger ..... D8/105  
D811,846 S 3/2018 Johnson et al.  
D814,263 S 4/2018 Johnson et al.  
D848,233 S \* 5/2019 McCann ..... D8/76  
D915,861 S \* 4/2021 Zhong ..... D8/105  
2018/0311803 A1\* 11/2018 Hertaus ..... B23D 51/10

\* cited by examiner

*Primary Examiner* — Janice Hallmark

(\*\*) Term: **15 Years**

(57) **CLAIM**

(21) Appl. No.: **29/772,414**

The ornamental design for a multi-functional tool, as shown and described.

(22) Filed: **Mar. 1, 2021**

**DESCRIPTION**

(51) **LOC (13) Cl.** ..... **08-05**

(52) **U.S. Cl.**  
USPC ..... **D8/105; 76/81**

(58) **Field of Classification Search**  
USPC ..... D8/105, 21, 26, 52, 55, 57, 75, 76, 81, D8/356  
CPC .. B25F 1/003; B25F 1/04; B25F 1/006; B25F 1/02; B25F 1/00; B26B 11/003; B26B 11/005  
See application file for complete search history.

FIG. 1 is a perspective view of a multi-functional tool showing my new design;  
FIG. 2 is a front view thereof;  
FIG. 3 is a rear view thereof;  
FIG. 4 is a left side view thereof;  
FIG. 5 is a right side view thereof;  
FIG. 6 is a top plan view thereof;  
FIG. 7 is a bottom plan view thereof;  
FIG. 8 is a perspective view thereof in an use state;  
FIG. 9 is a front view thereof; and,  
FIG. 10 is a rear view thereof.

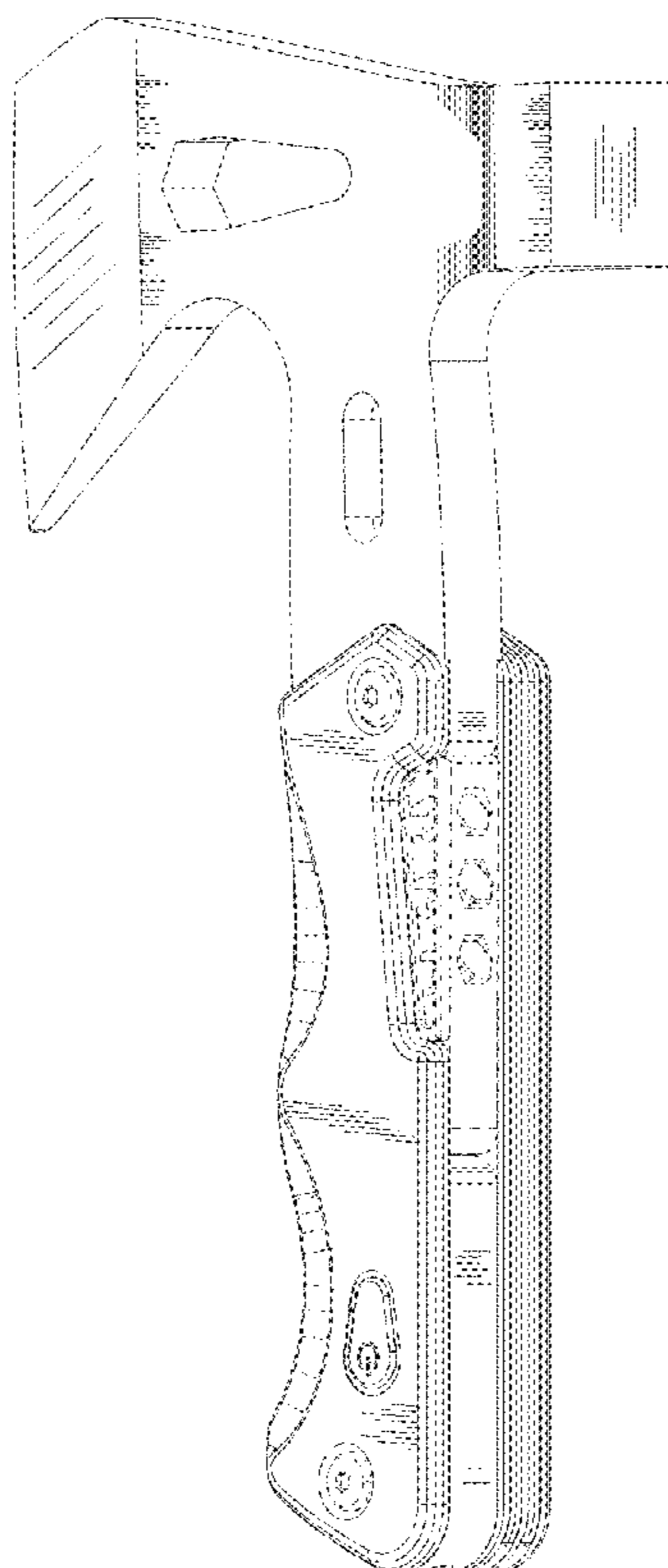
The broken lines depict portions of the multi-functional tool that form no part of the claimed design.

(56) **References Cited**

**U.S. PATENT DOCUMENTS**

D419,418 S \* 1/2000 Lin ..... D8/105  
D463,239 S \* 9/2002 Makedonski ..... D8/105

**1 Claim, 10 Drawing Sheets**



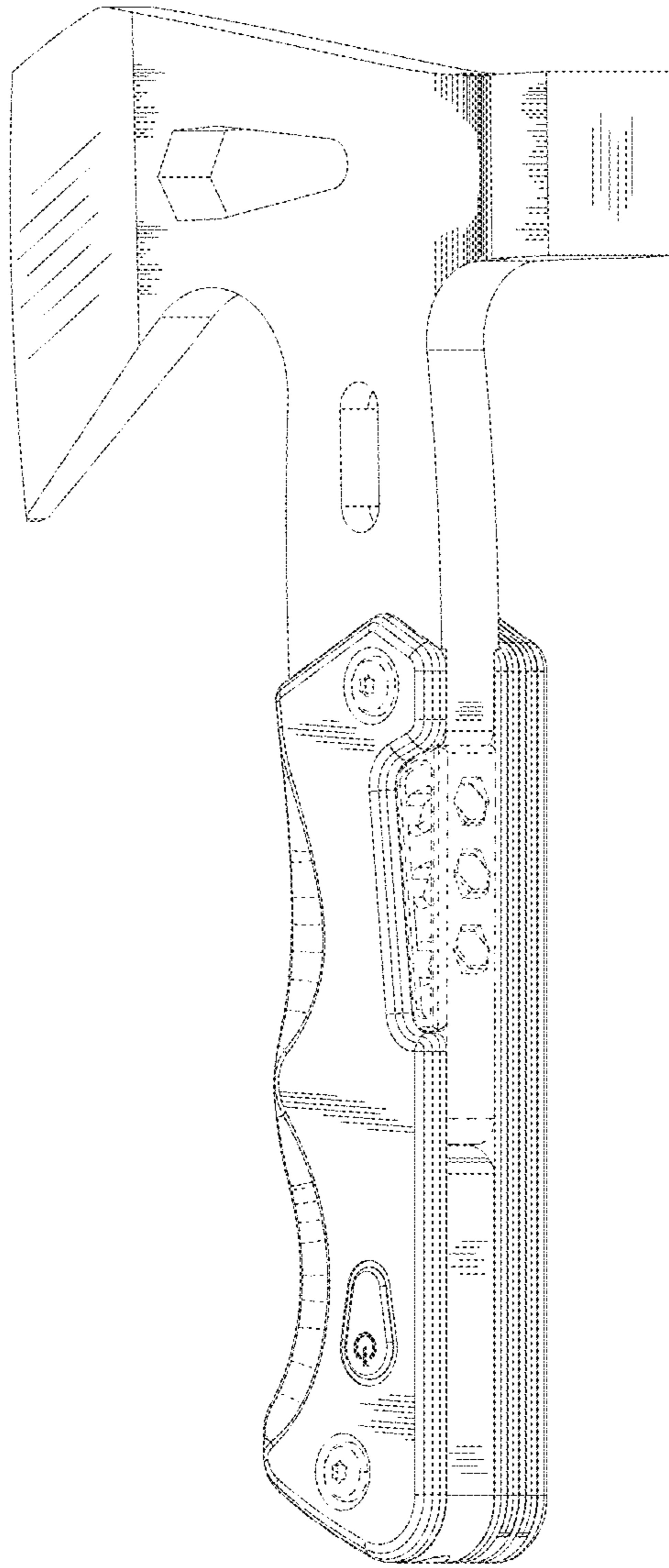


FIG. 1

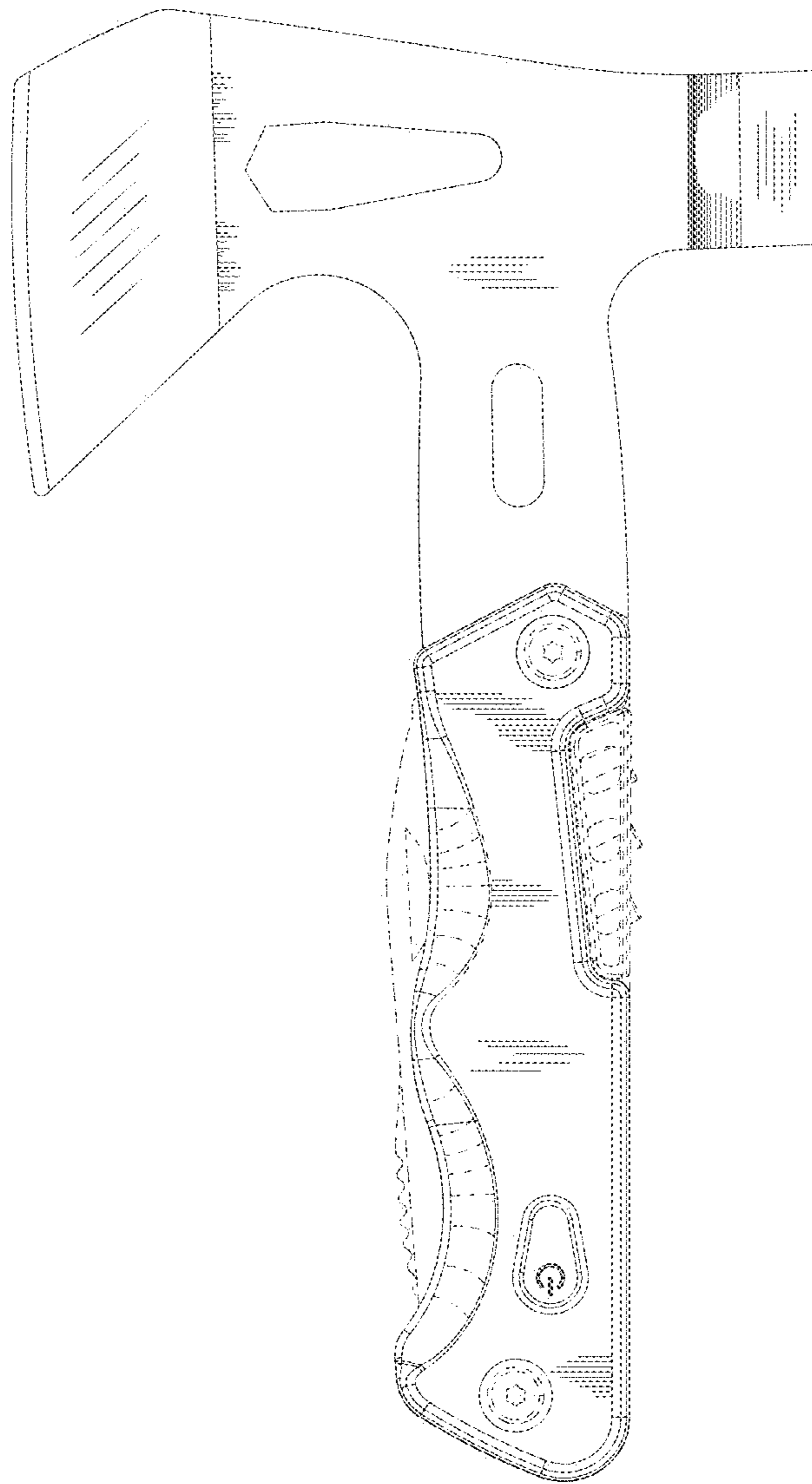


FIG. 2

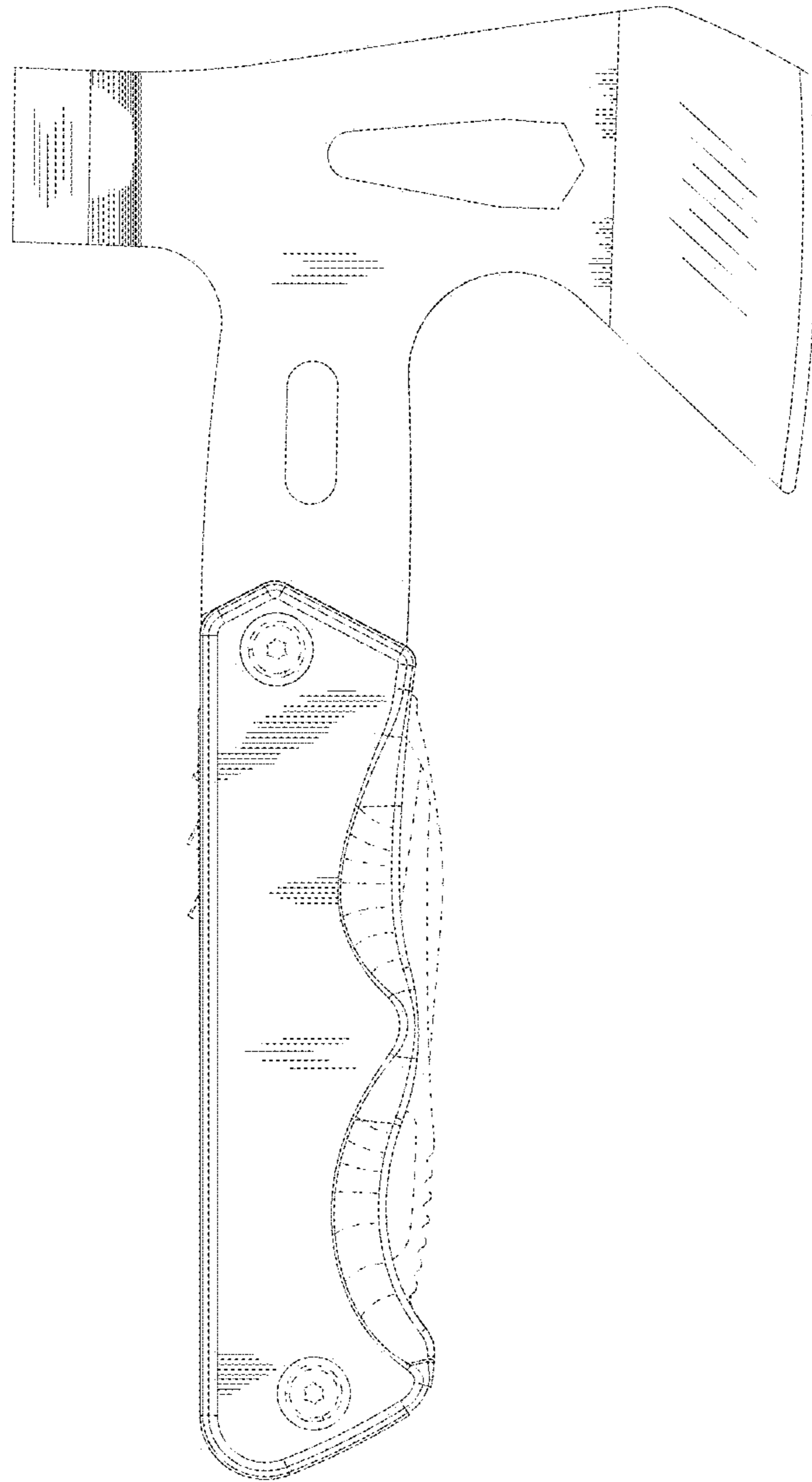


FIG. 3

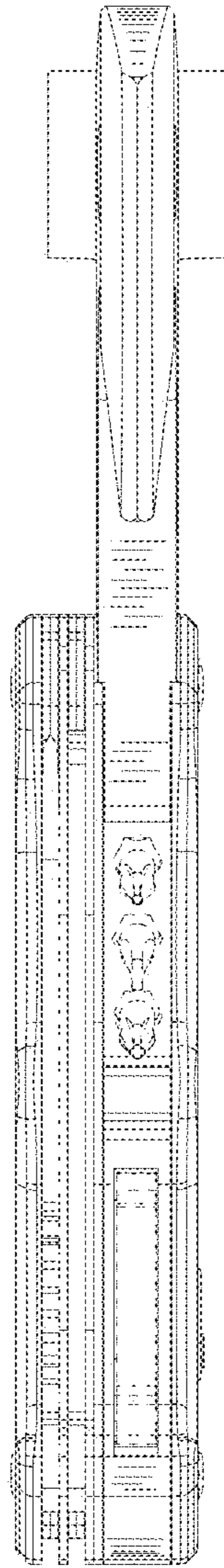


FIG. 4

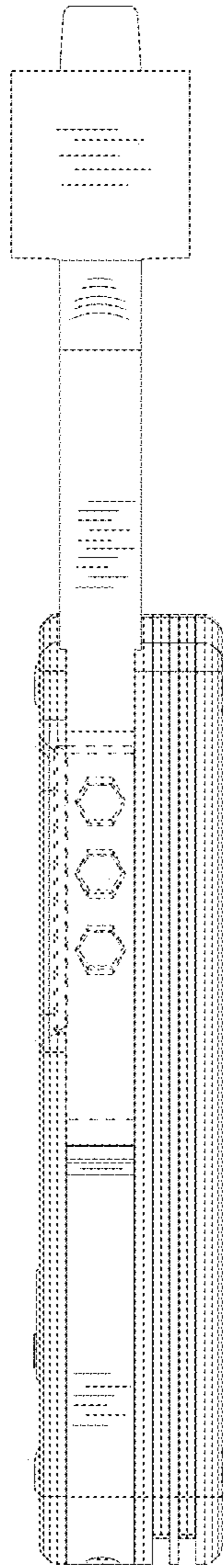


FIG. 5

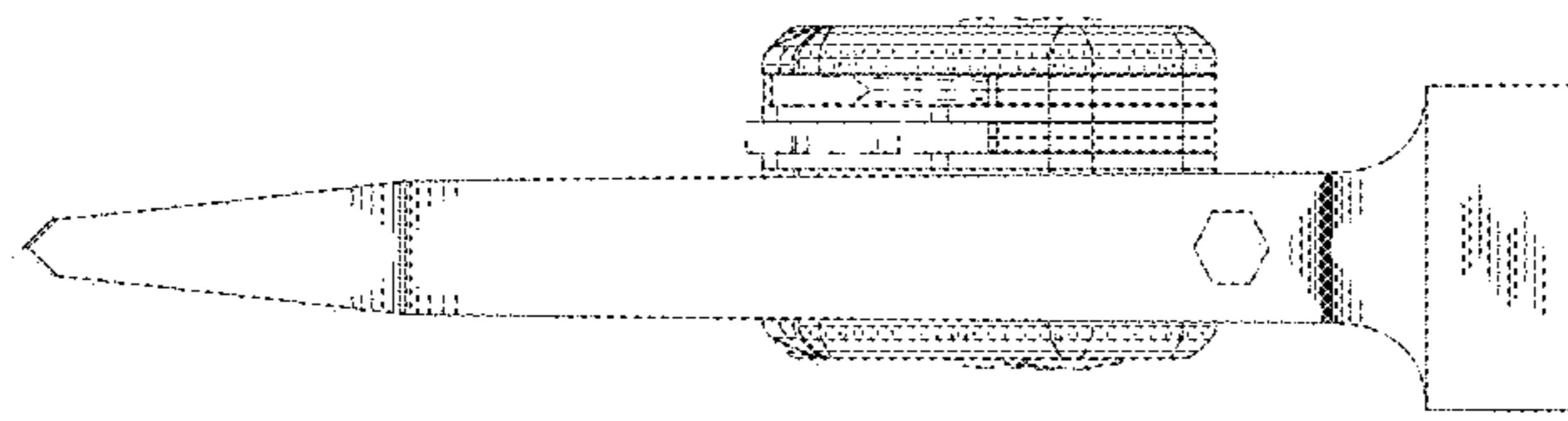


FIG. 6

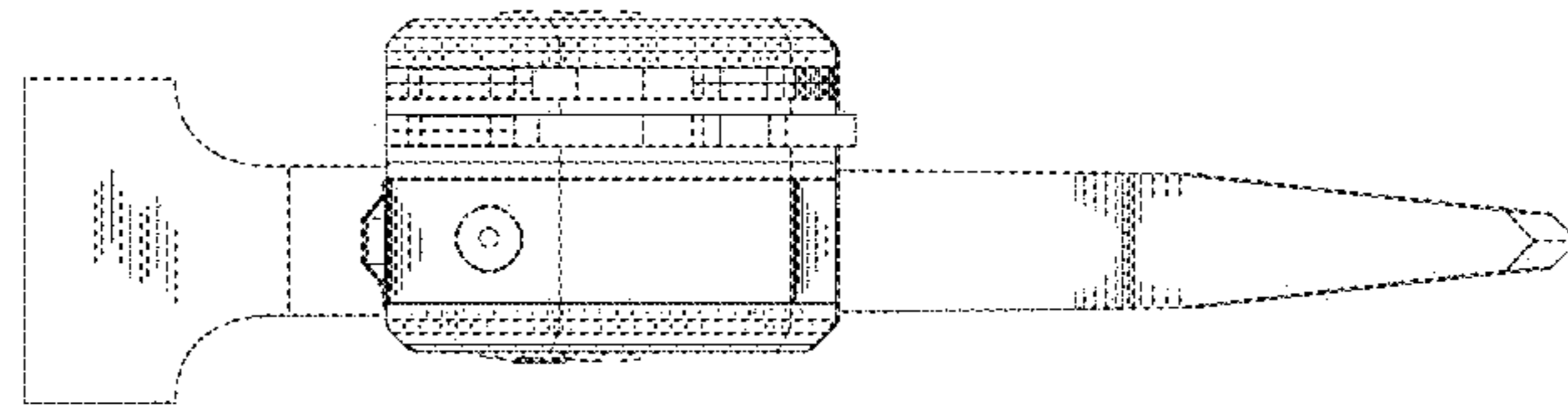


FIG. 7



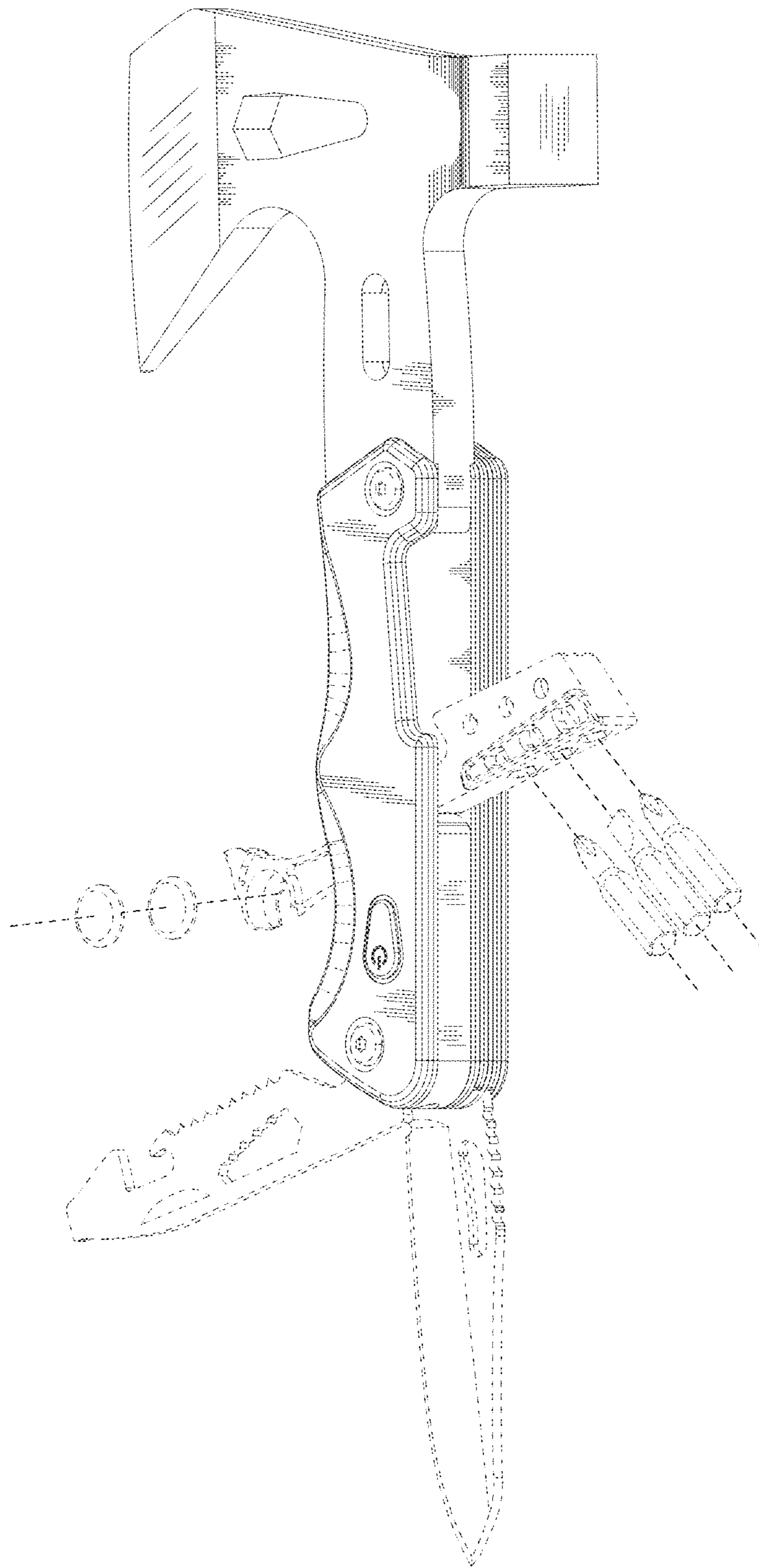


FIG. 8

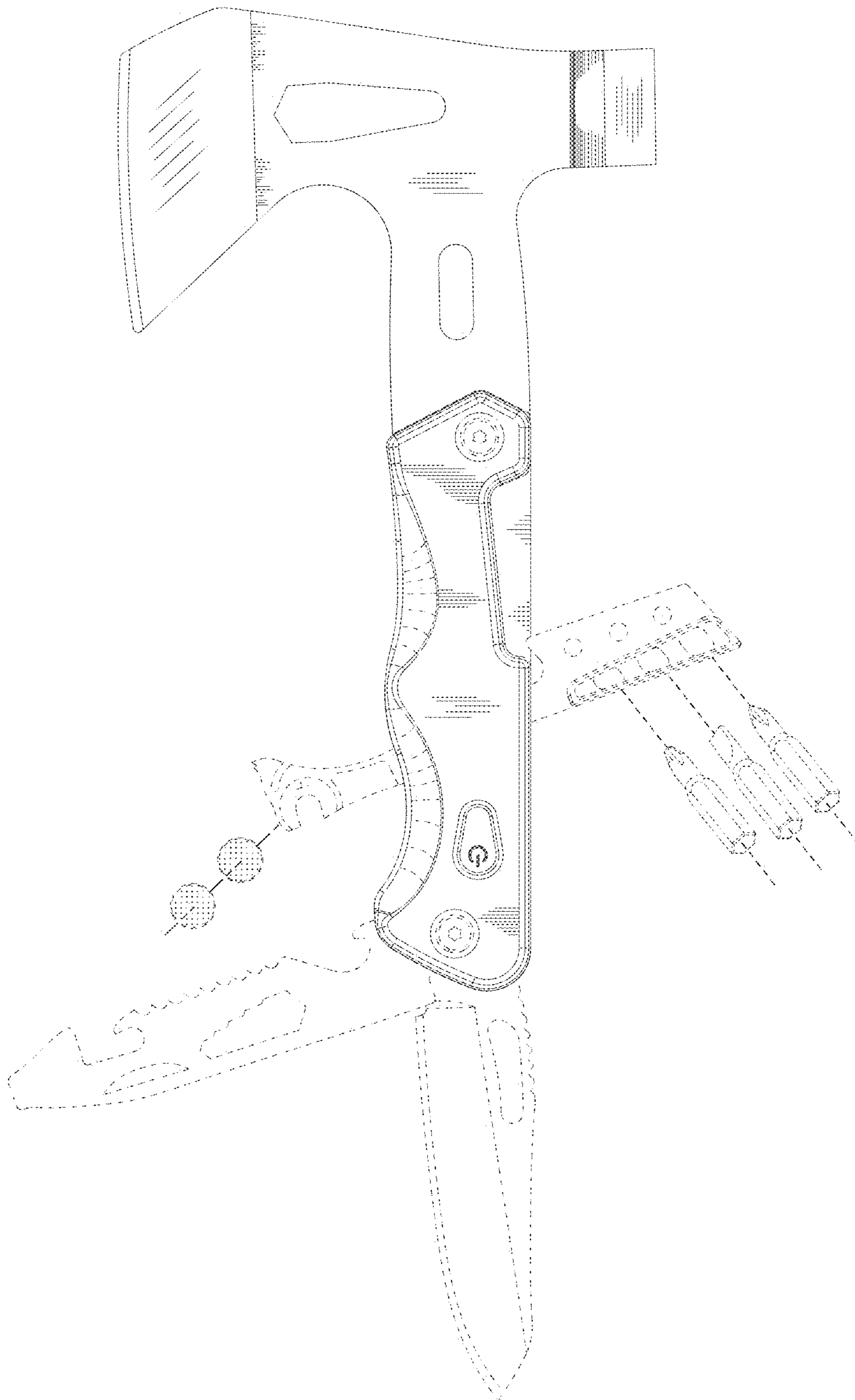


FIG. 9

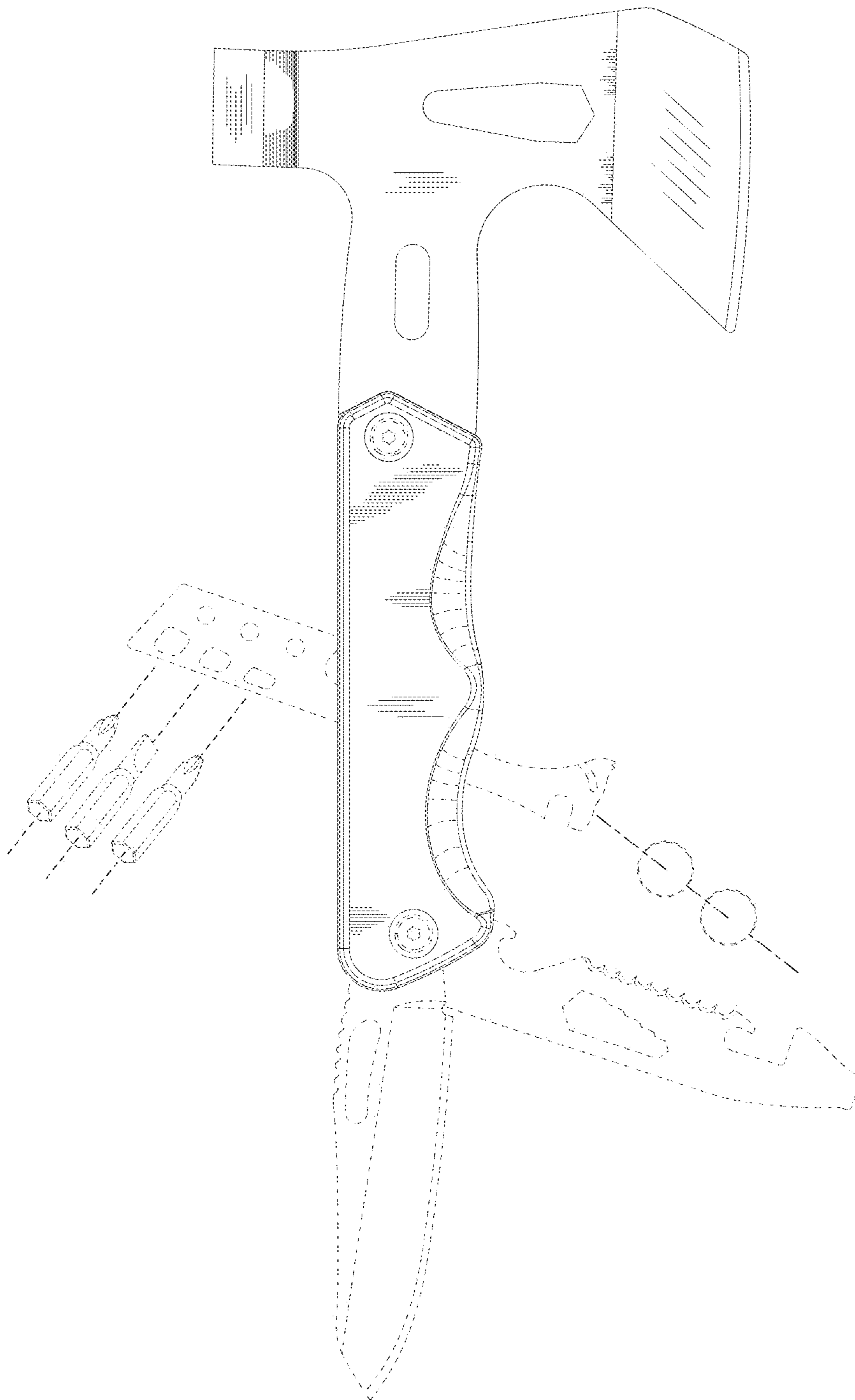


FIG. 10