



US00D951050S

(12) **United States Design Patent**  
**Hale et al.**

(10) **Patent No.:** **US D951,050 S**  
(45) **Date of Patent:** **\*\* May 10, 2022**

(54) **FASTENER DRIVING TOOL ADAPTER**

FOREIGN PATENT DOCUMENTS

(71) Applicant: **SIMPSON STRONG-TIE COMPANY INC.**, Pleasanton, CA (US)

CN 204736158 U 11/2015  
DE 102008036680 A1 2/2010

(Continued)

(72) Inventors: **Troy Hale**, Goodlettsville, TN (US);  
**Adam Tillinghast**, Nashville, TN (US)

OTHER PUBLICATIONS

(73) Assignee: **SIMPSON STRONG-TIE COMPANY INC.**, Pleasanton, CA (US)

U.S. Appl. No. 63/091,702, filed Oct. 14, 2020, Troy Hale.

(Continued)

(\*\*) Term: **15 Years**

*Primary Examiner* — Austin Murphy

(21) Appl. No.: **29/754,812**

(74) *Attorney, Agent, or Firm* — Buchalter; Cecily Anne O'Regan

(22) Filed: **Oct. 14, 2020**

(51) **LOC (13) Cl.** ..... **08-01**

(57) **CLAIM**

(52) **U.S. Cl.**  
USPC ..... **D8/61**

The ornamental design for a fastener driving tool adapter, as shown and described.

(58) **Field of Classification Search**  
USPC ..... D8/61, 62, 67, 69; 81/57, 57.11, 57.14,  
81/57.26, 429, 464, 469; 173/2, 170,  
173/176, 181

**DESCRIPTION**

CPC ..... B25B 21/00; F16D 41/206; B25F 5/001  
See application file for complete search history.

FIG. 1 is a front perspective view of a fastener driving tool adapter;  
FIG. 2 is a rear perspective view of the fastener driving tool adapter;  
FIG. 3 is a front view of the fastener driving tool adapter;  
FIG. 4 is a back view of the fastener driving tool adapter;  
FIG. 5 is a left side view of the fastener driving tool adapter;  
FIG. 6 is a right side view of the fastener driving tool adapter;  
FIG. 7 is a top view of the fastener driving tool adapter; and,  
FIG. 8 is a bottom view of the fastener driving tool adapter.  
The drawings include surface shading which illustrates contour and not surface ornamentation.  
The broken lines in the above-described figures are for illustrative purposes only and form no part of the claimed design.

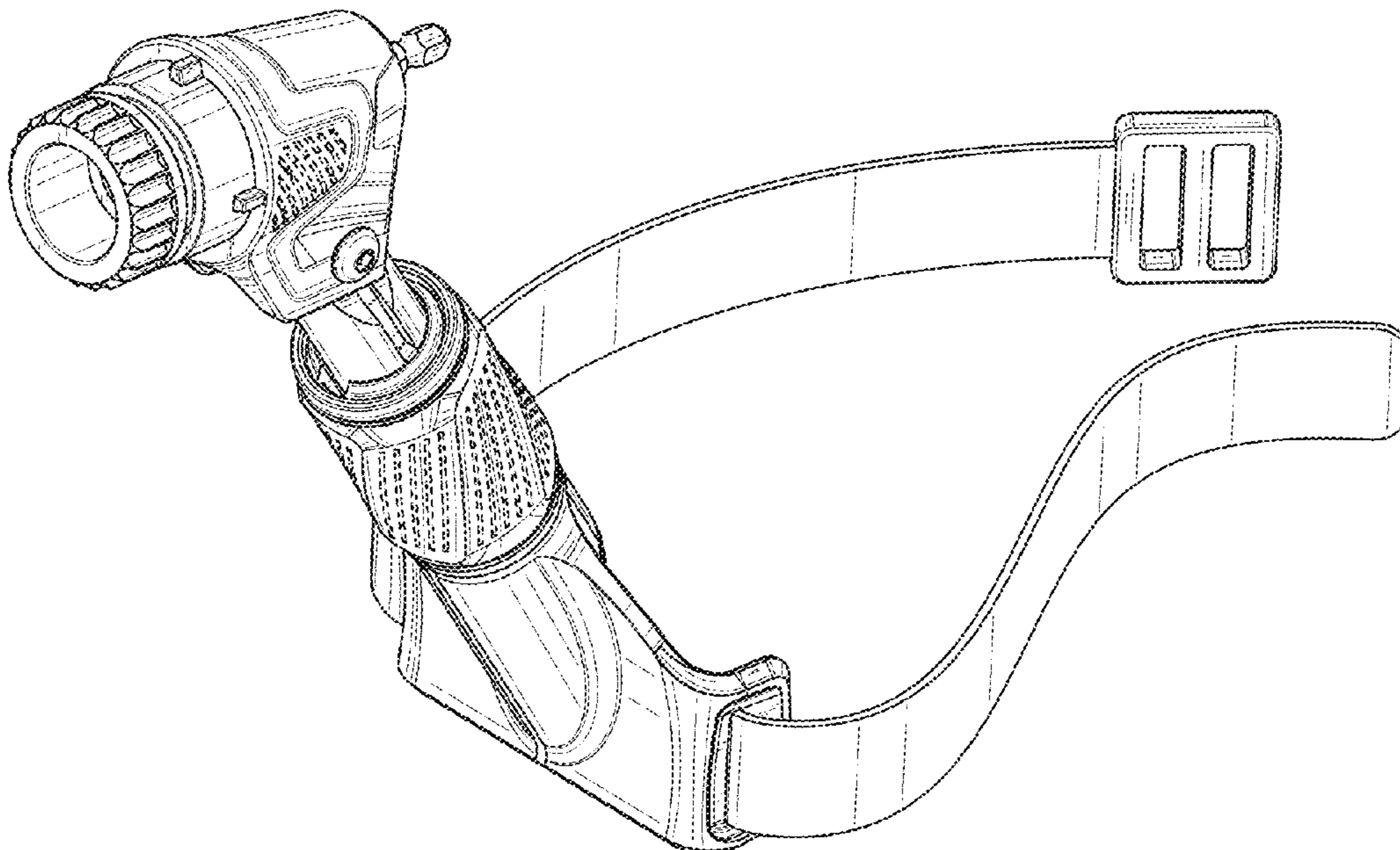
(56) **References Cited**

U.S. PATENT DOCUMENTS

3,910,324 A	10/1975	Nasiatka	
4,998,452 A	3/1991	Blum	
5,144,870 A	9/1992	Nick	
5,231,900 A	8/1993	Deri	
5,239,900 A	8/1993	Macris	
5,584,221 A	12/1996	Petrantoni	
D414,093 S *	9/1999	Zurwelle	D8/61
6,109,144 A	8/2000	Muro	
6,109,145 A	8/2000	Habermehl	
D468,173 S *	1/2003	Morgan	D8/61
D492,561 S *	7/2004	Chen	D8/61

(Continued)

**1 Claim, 8 Drawing Sheets**



(56)

References Cited

OTHER PUBLICATIONS

U.S. PATENT DOCUMENTS

D492,562	S	*	7/2004	Chen	.....	D8/61
D498,398	S	*	11/2004	Chen	.....	D8/61
D499,000	S	*	11/2004	Chen	.....	D8/61
6,862,963	B2		3/2005	Habermehl et al.		
6,941,847	B2		9/2005	Habermehl et al.		
6,945,140	B2		9/2005	Gibbons et al.		
7,134,367	B2		11/2006	Gehring et al.		
7,341,146	B2		3/2008	Habermehl		
7,461,574	B2		12/2008	Lewis et al.		
D639,629	S	*	6/2011	Torigai	.....	D8/61
D712,224	S	*	9/2014	Zhang	.....	D8/61
D712,225	S	*	9/2014	Larson	.....	D8/70
9,701,032	B2		7/2017	Moss et al.		
D849,494	S	*	5/2019	Feuerstein	.....	D8/61
D879,574	S	*	3/2020	Liu	.....	D8/61
D887,239	S	*	6/2020	Nystrom	.....	D8/61
10,675,741	B2		6/2020	Chiang		
10,751,859	B2		8/2020	Helmick et al.		
D939,304	S	*	12/2021	Lindoro	.....	D8/61
2002/0108995	A1		8/2002	Hempfling et al.		
2007/0079672	A1		4/2007	Bone et al.		
2016/0000449	A1		1/2016	Aman et al.		
2016/0271781	A1		9/2016	Kobayashi et al.		
2019/0071880	A1		3/2019	Demuth et al.		
2019/0351535	A1		11/2019	Hays et al.		
2020/0147765	A1		5/2020	Irwin et al.		

FOREIGN PATENT DOCUMENTS

EP			2995386	A1		3/2016
EP			2586569	B1		12/2018
EP			3603888	A1		2/2020
WO			2020103988	A1		5/2020

Camo Drive Tool available from <https://www.camofasteners.com/products/drive/camo-drive/> (accessed Mar. 3, 2021).

DeWalt Collated Screw Gun Attachment available from <https://www.homedepot.com/p/DEWALT-Collated-Screw-Gun-Attachment-DCF6201/206468794> (Retrieved Aug. 25, 2020).

Dewalt Shear Attachment available from <https://www.dewalt.com/products/power-tools/polishers-shears-and-nibblers/18ga-shear-attachment/dwashrir> (Retrieved Aug. 27, 2020).

Drywall Screwgun Corded Magazine Attachment Autofeed Screwdrive available at [https://www.alibaba.com/product-jetail/Drywall-Screwgun-Corded-Collated-Magazine-Attachment\\_60586522232.html](https://www.alibaba.com/product-jetail/Drywall-Screwgun-Corded-Collated-Magazine-Attachment_60586522232.html) (Retrieved Aug. 25, 2020).

Hilti, Interior Finishing Trade Catalog (2017) available from [https://www.hilti.dz/content/dam/documents/dz-document-nouha/IF.pdf\(2017\)](https://www.hilti.dz/content/dam/documents/dz-document-nouha/IF.pdf(2017)).

Pam P13KUE Decking & Subfloor Autofeed Screw Gun available from <https://www.tools4flooring.com/pam-p13kue-iecking-subfloor-autofeed-screw-gun-system.html> (retrieved Aug. 25, 2020).

QuikDrive PRODW Drywall System available from <https://lbjournal.com/quik-drive-prodw-drywall-system/> (retrieved Mar. 27, 2020).

Squids Power Tool Trap Product Spec Sheet available from <https://www.ergodyne.com/squids-3780-power-tool-trap.html> (accessed Mar. 3, 2021).

\* cited by examiner

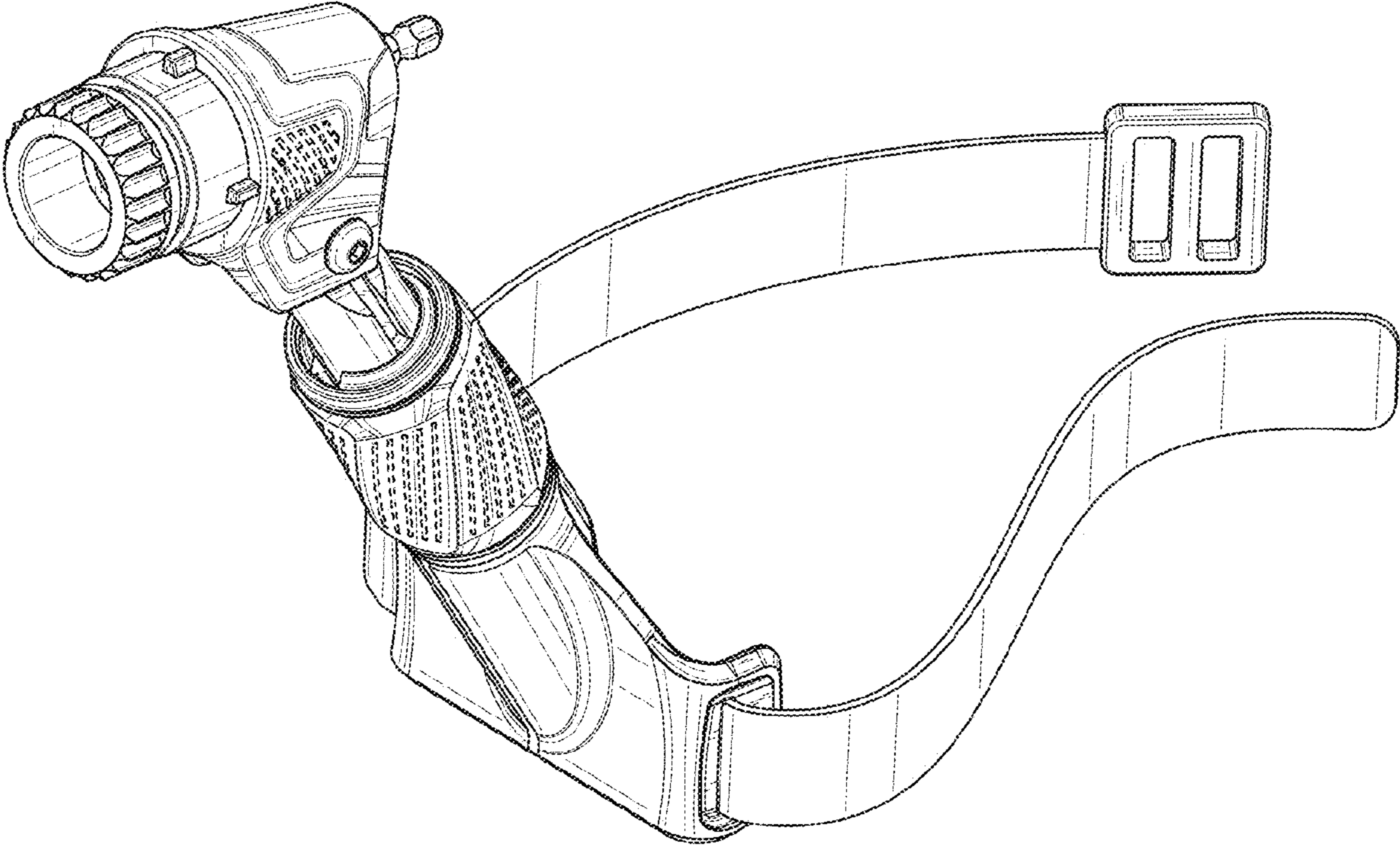


FIG. 1



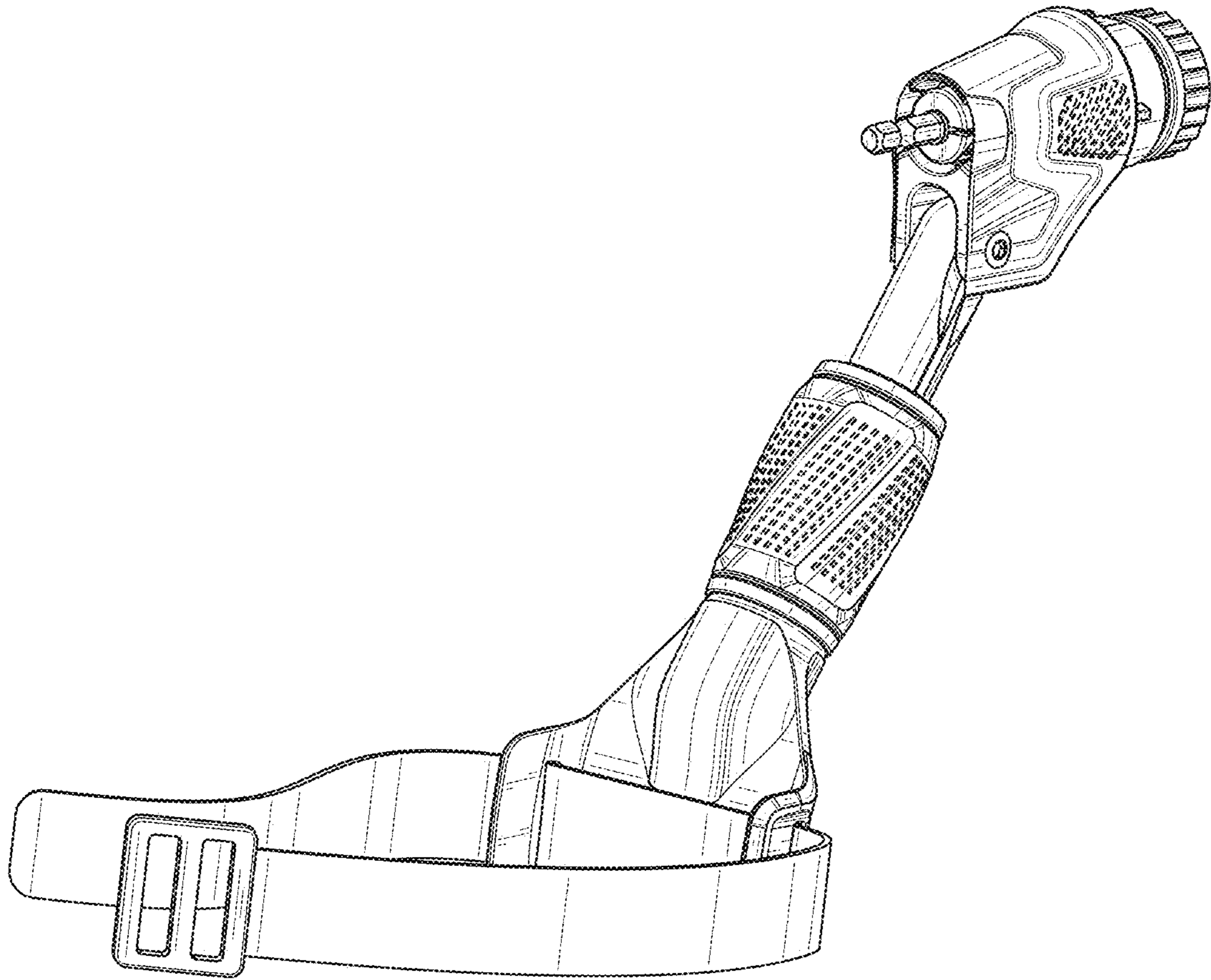


FIG. 2

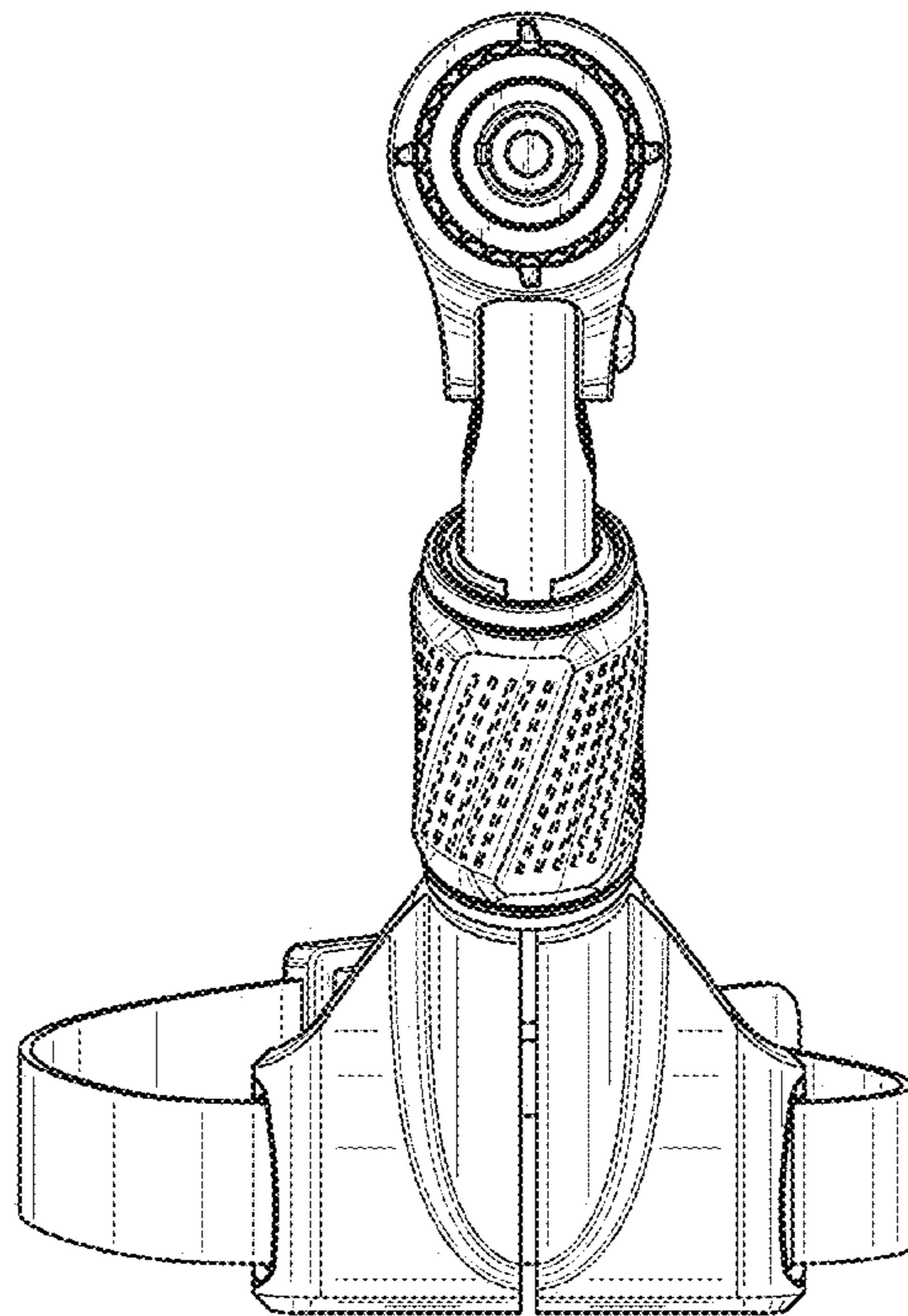


FIG. 3

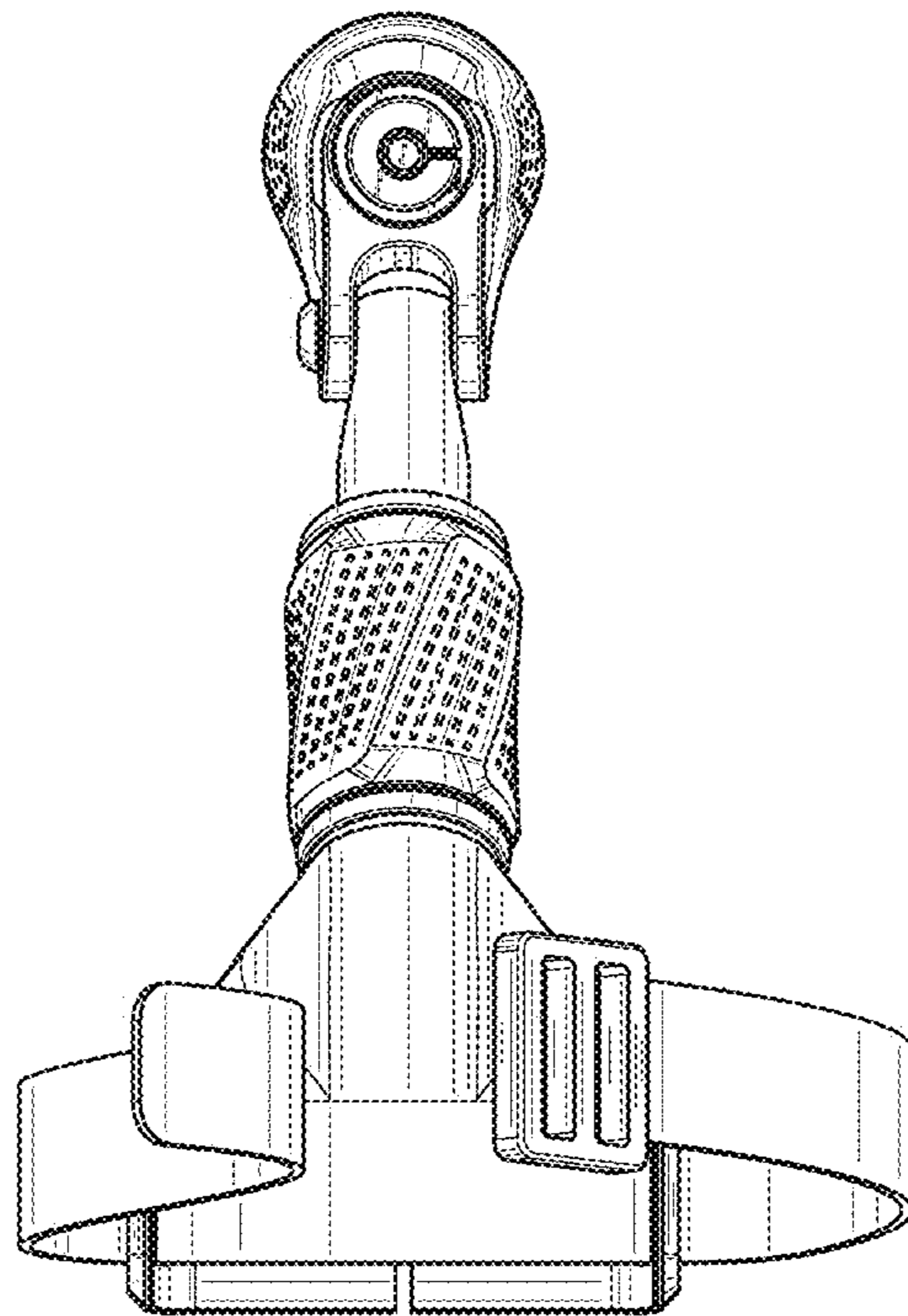


FIG. 4

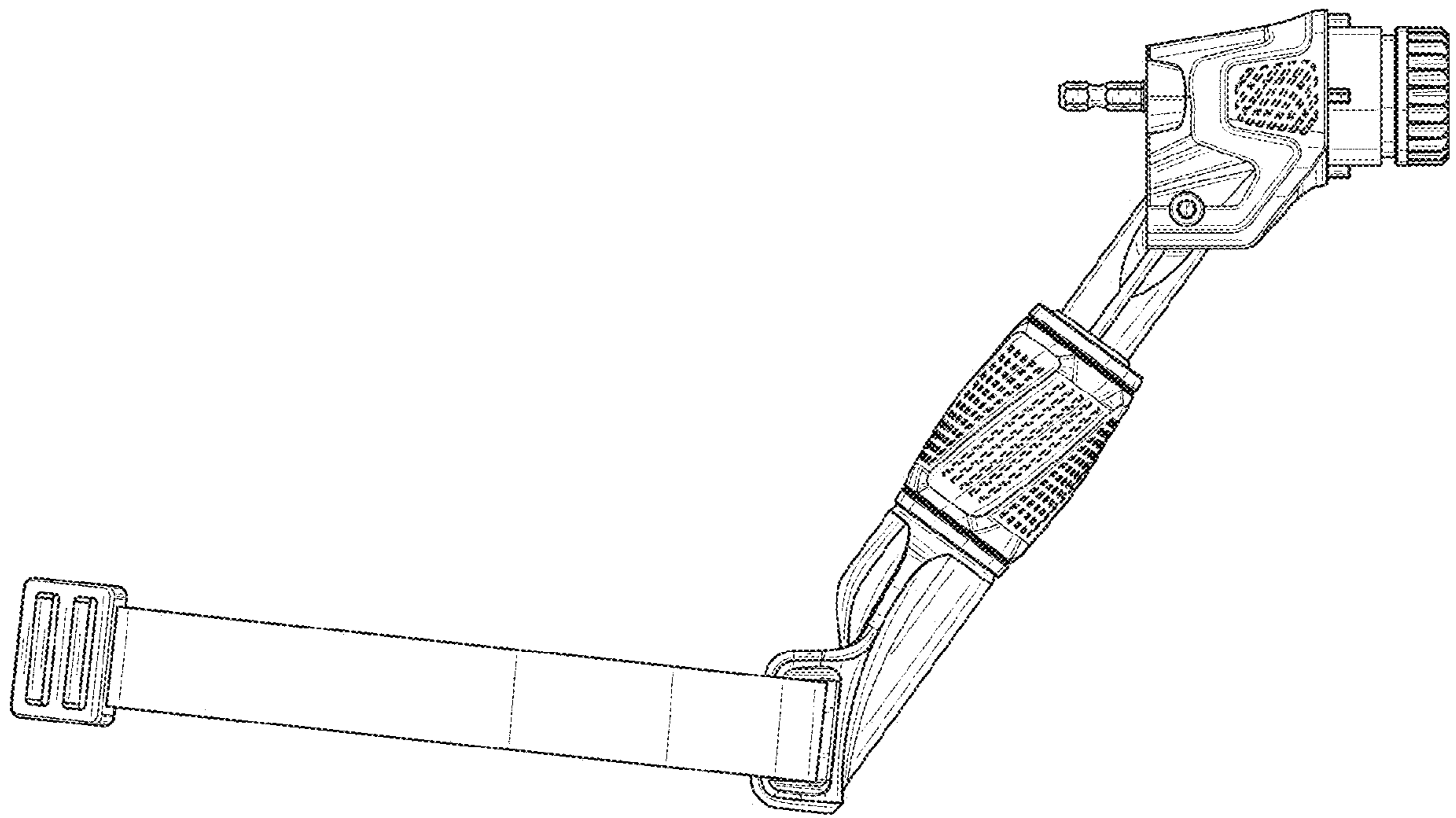


FIG. 5

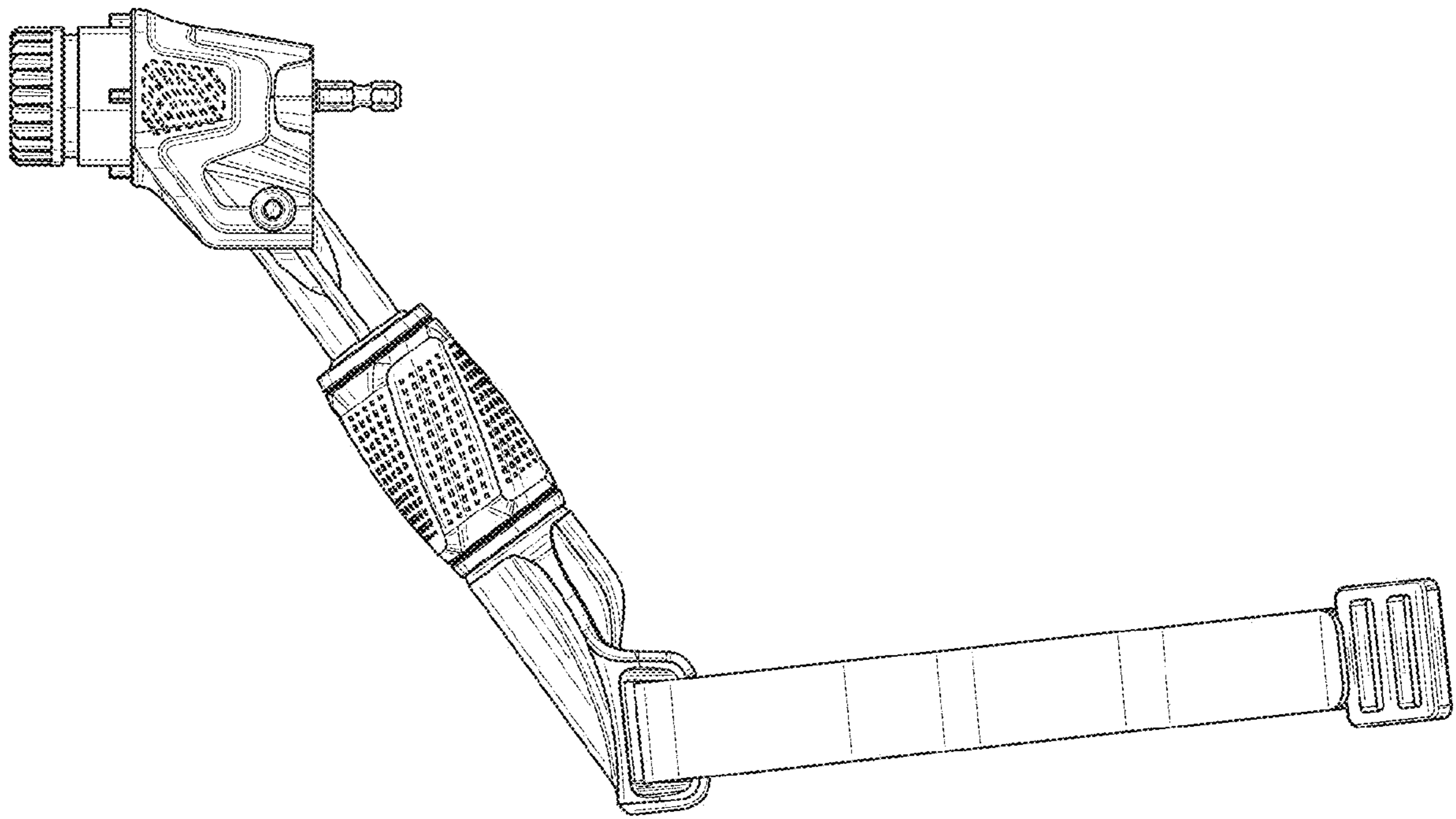


FIG. 6



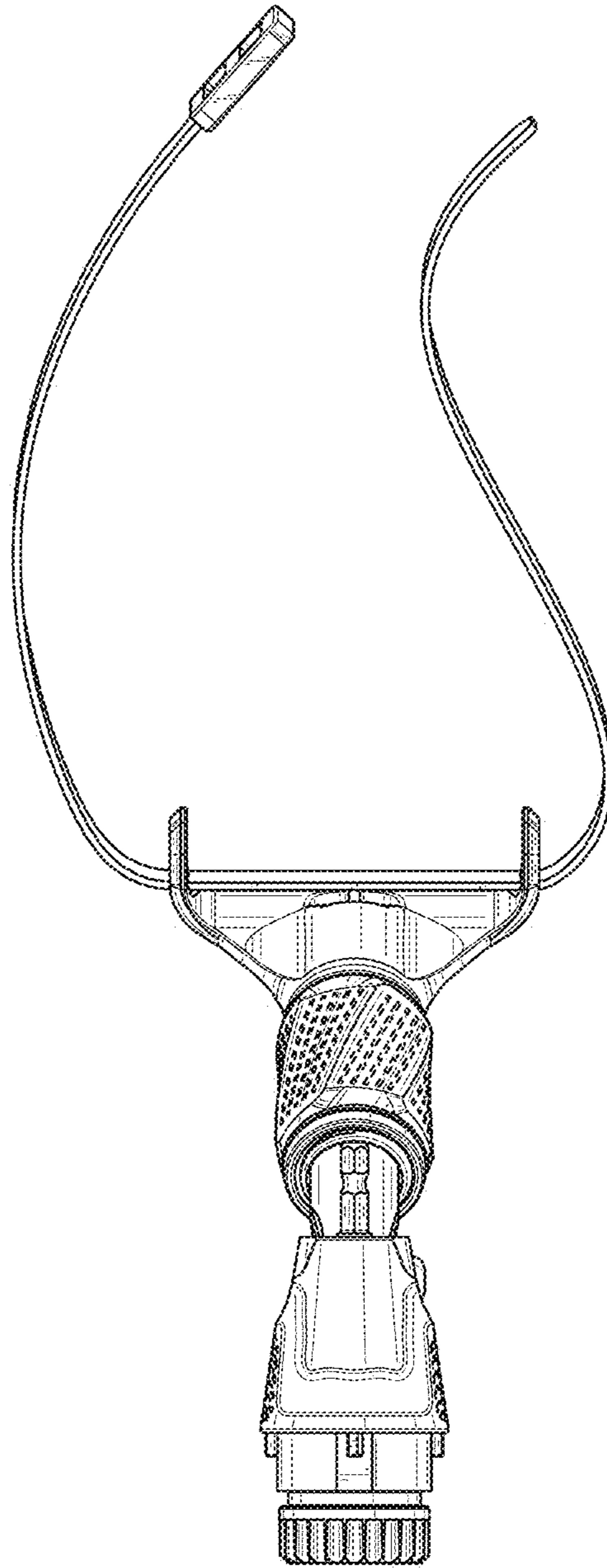


FIG. 7

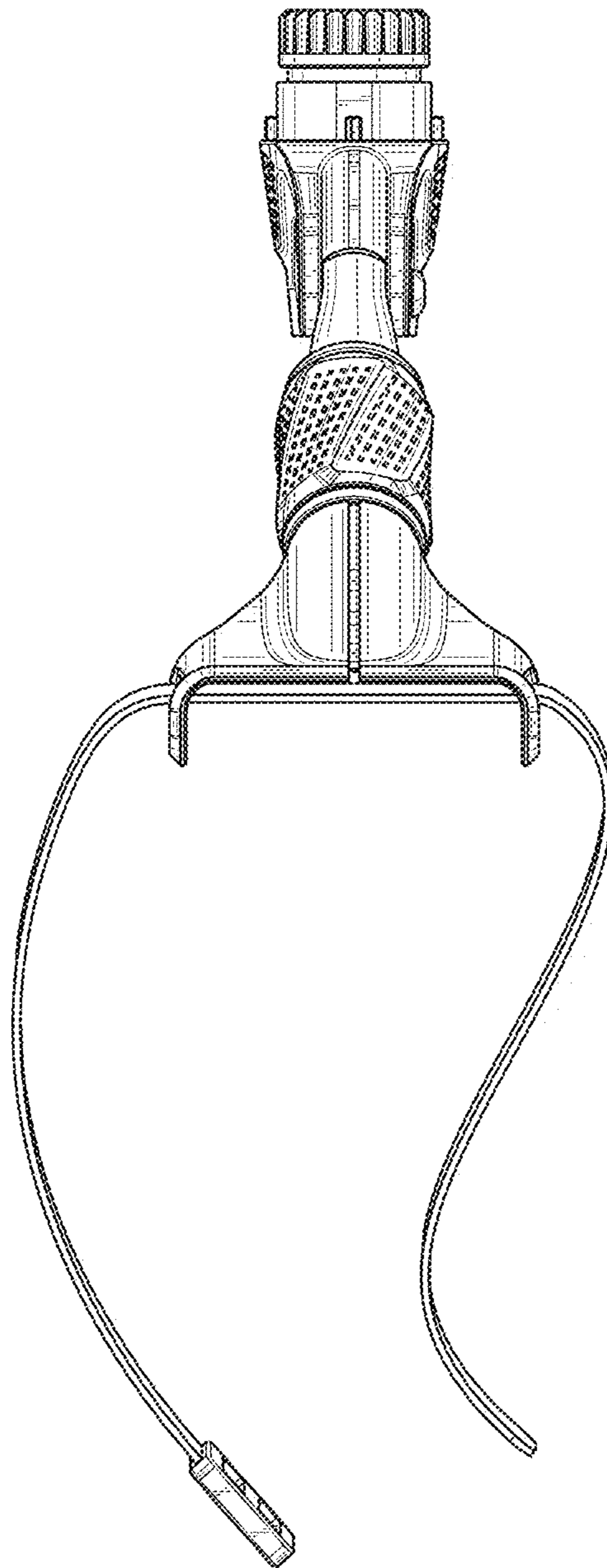


FIG. 8