



US00D951047S

(12) **United States Design Patent** (10) **Patent No.:** **US D951,047 S**  
**Hsieh** (45) **Date of Patent:** **\*\* May 10, 2022**

- (54) **WRENCH**
- (71) Applicant: **KABO TOOL COMPANY**, Taichung (TW)
- (72) Inventor: **Chih-Ching Hsieh**, Taichung (TW)
- (73) Assignee: **KABO TOOL COMPANY**, Taichung (TW)
- (\*\*) Term: **15 Years**
- (21) Appl. No.: **29/725,507**
- (22) Filed: **Feb. 25, 2020**
- (51) **LOC (13) Cl.** ..... **08-05**
- (52) **U.S. Cl.**  
USPC ..... **D8/21; D8/24; D8/25; D8/107**
- (58) **Field of Classification Search**  
USPC .... D8/21, 22, 24-32, 63, 80, 83, 88-94, 97, D8/107, 300-320  
CPC ..... Y10T 16/506; Y10T 74/20864; Y10T 74/20732; B25B 13/06; B25B 13/462; B25B 23/0035; B25B 13/463  
See application file for complete search history.

- (56) **References Cited**  
U.S. PATENT DOCUMENTS  
D94,073 S \* 12/1934 Chapman ..... D8/309  
D132,891 S \* 6/1942 Chapman ..... D8/25  
D136,668 S \* 11/1943 Joynes ..... D8/89  
D256,864 S \* 9/1980 Nippel ..... D6/549  
D291,954 S \* 9/1987 Litowitz ..... D6/580  
D299,111 S \* 12/1988 Jans ..... D8/316  
D327,732 S \* 7/1992 Yost ..... D23/250  
D329,911 S \* 9/1992 Yost ..... D23/250  
D418,390 S \* 1/2000 Marquis ..... D8/312

D444,693 S *	7/2001	Griese .....	D8/47
D493,341 S *	7/2004	Chen .....	D8/25
D499,618 S *	12/2004	Lin .....	D8/25
D515,899 S *	2/2006	Chan .....	D8/83
D518,692 S *	4/2006	Saunders .....	D8/25
D520,858 S *	5/2006	Miller .....	D8/315
D525,516 S *	7/2006	Veltz .....	D8/308
D563,759 S *	3/2008	Oliver .....	D8/316
D670,984 S *	11/2012	Albertson .....	D8/25
D687,689 S *	8/2013	Lai .....	D8/25
D704,015 S *	5/2014	Hernandez, Jr. ....	D8/27
D810,531 S *	2/2018	Feuerstein .....	D8/29
D854,899 S *	7/2019	Su .....	D8/29
D882,360 S *	4/2020	Macor .....	D8/25
D923,441 S *	6/2021	Hsieh .....	D8/24

\* cited by examiner

*Primary Examiner* — Rachel A. Voorhies  
*Assistant Examiner* — Benjamin D. Wannemacher  
(74) *Attorney, Agent, or Firm* — Guice Patents PLLC

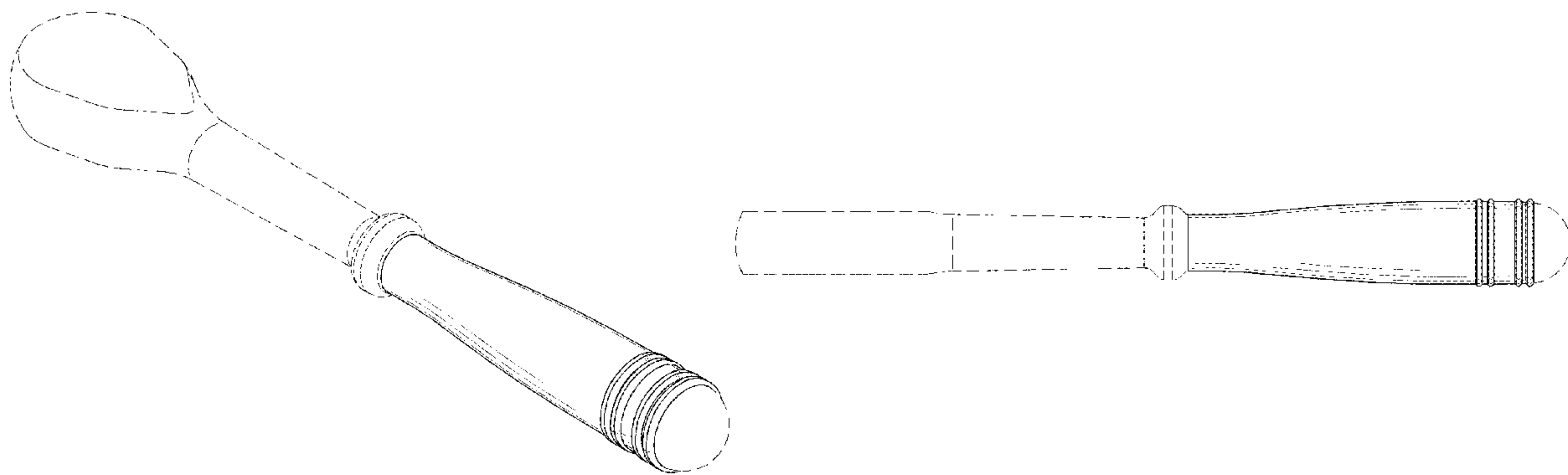
(57) **CLAIM**

The ornamental design for a wrench, as shown and described.

**DESCRIPTION**

FIG. 1 is a perspective view of a wrench;  
FIG. 2 is a front view of FIG. 1;  
FIG. 3 is a rear view of FIG. 1;  
FIG. 4 is a left side view of FIG. 1;  
FIG. 5 is a right side view of FIG. 1;  
FIG. 6 is a top view of FIG. 1; and,  
FIG. 7 is a bottom view of FIG. 1.  
The broken lines shown on the drawings are included for the purpose of illustrating unclaimed features of the wrench and form no part of the claimed design.

**1 Claim, 4 Drawing Sheets**



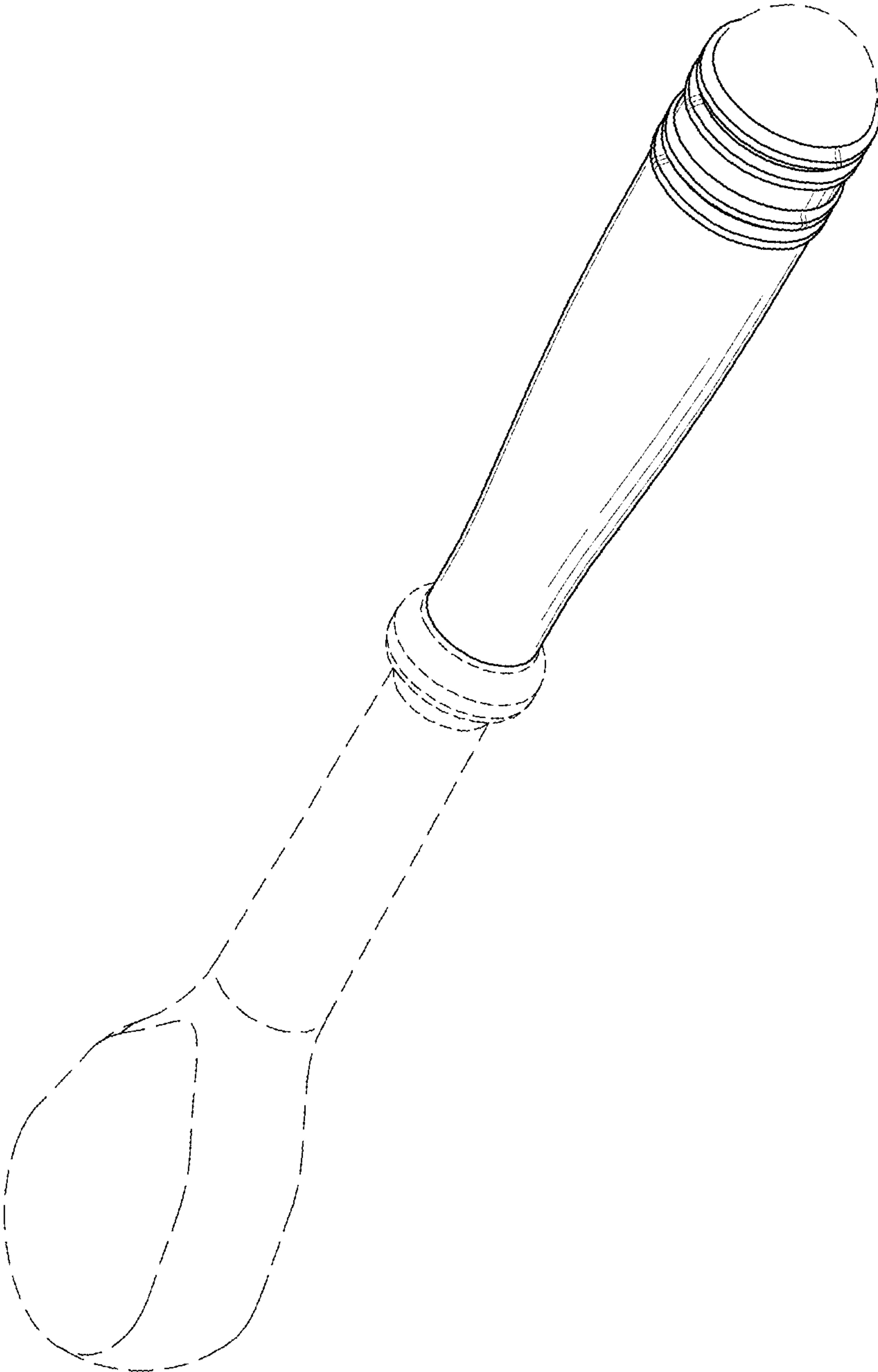


Fig. 1

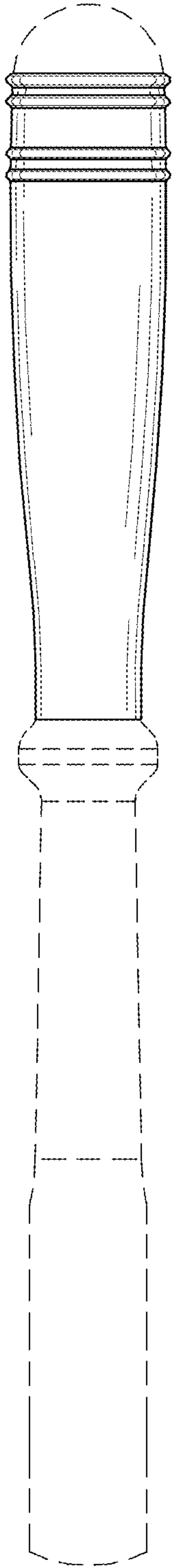


Fig. 2

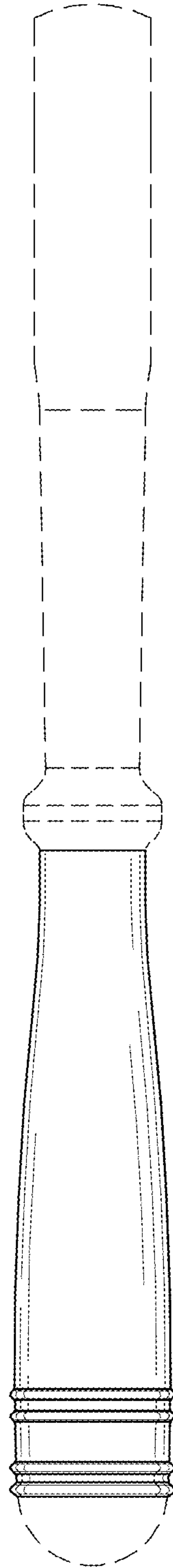


Fig. 3

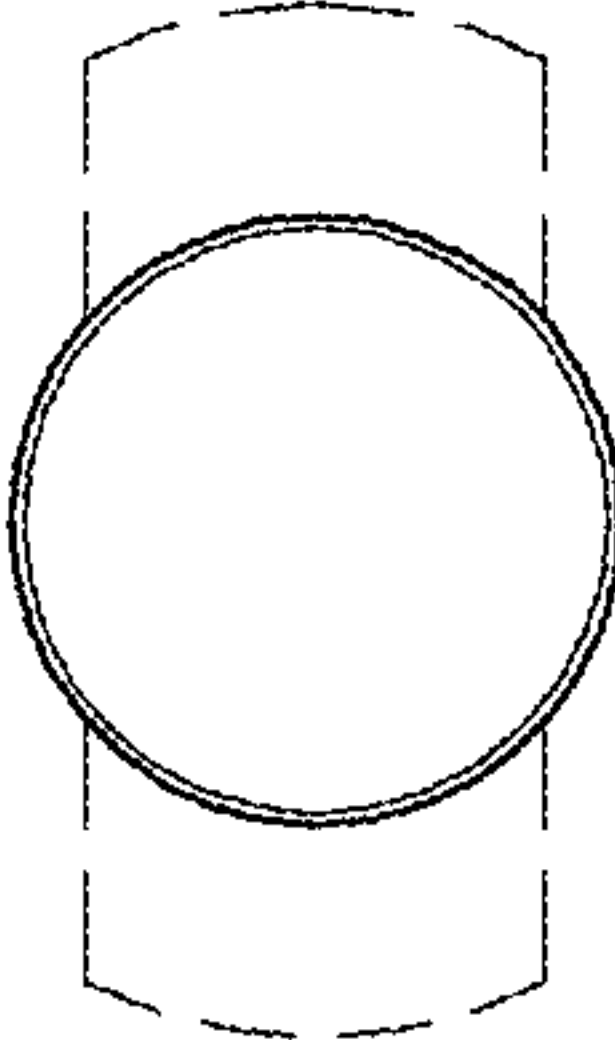


Fig. 5

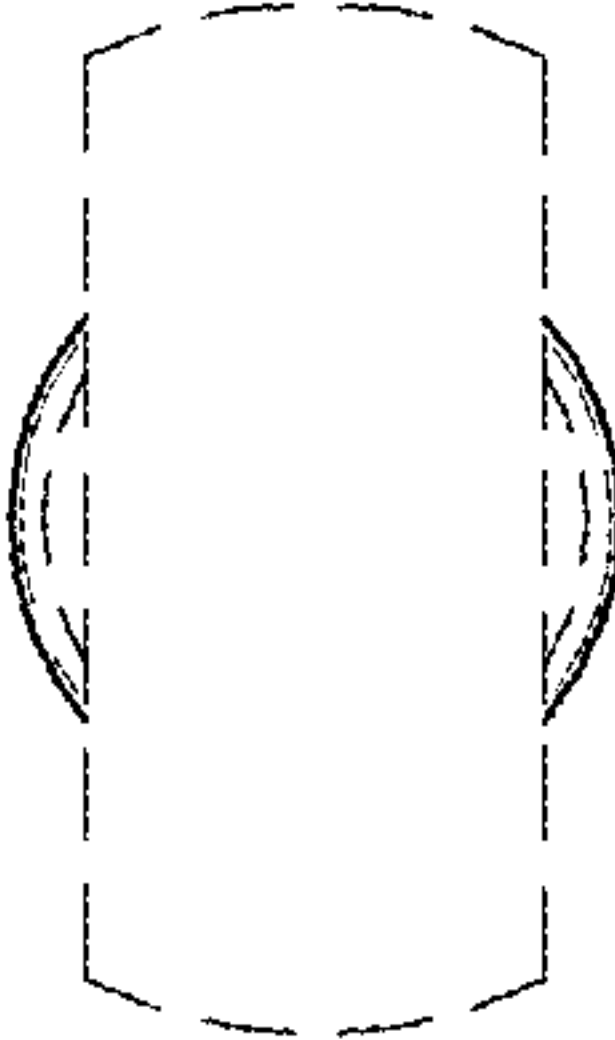


Fig. 4

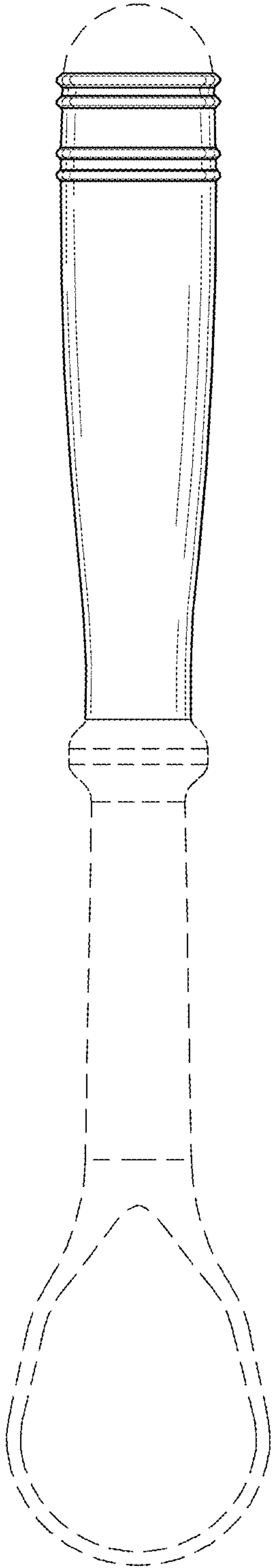


Fig. 6

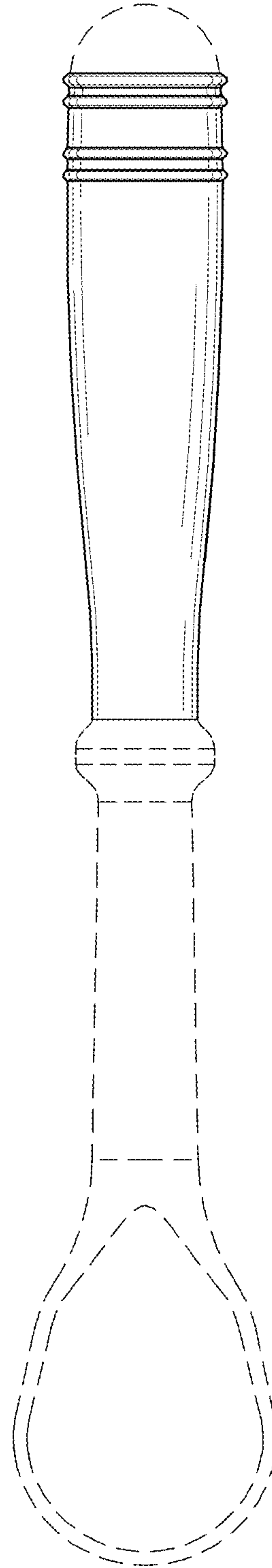


Fig. 7