



US00D951044S

(12) **United States Design Patent** (10) **Patent No.:** **US D951,044 S**
Turley (45) **Date of Patent:** **** May 10, 2022**

(54) **ADJUSTABLE SQUARE**
(71) Applicant: **Woodpeckers, LLC**, Strongsville, OH (US)

3,364,581 A 1/1968 Andrews
3,533,165 A 10/1970 Larsen
D257,556 S * 11/1980 Fulton D10/71
4,503,624 A 3/1985 Whiteford
(Continued)

(72) Inventor: **Paul E. Turley**, Amherst, OH (US)

FOREIGN PATENT DOCUMENTS

(73) Assignee: **Woodpeckers, llc**, Strongsville, OH (US)

GB 2426548 11/2006

(**) Term: **15 Years**

Primary Examiner — Wan Laymon

Assistant Examiner — Clint A Samuel

(21) Appl. No.: **29/731,498**

(74) *Attorney, Agent, or Firm* — Sand, Sebolt & Wernow Co., LPA

(22) Filed: **Apr. 15, 2020**

(57) **CLAIM**

The ornamental design for an adjustable square, as shown and described.

(51) **LOC (13) Cl.** **08-03**

(52) **U.S. Cl.**
USPC **D8/20**

DESCRIPTION

(58) **Field of Classification Search**
USPC D8/14, 20, 40, 71, 92, 96, 98, 99, 100,
D8/101, 105, 106; D10/46, 64, 65, 71,
D10/74; 33/427
CPC B43L 7/10; B43L 7/12; B43L 7/14; B23D
61/123; G01B 3/566
See application file for complete search history.

FIG. 1 is a front, top, right side isometric view of an adjustable square in accordance with the design;
FIG. 2 is a front elevation view of the adjustable square of FIG. 1;
FIG. 3 is a rear elevation view of the adjustable square of FIG. 1;
FIG. 4 is a right side elevation view of the adjustable square of FIG. 1;
FIG. 5 is a left side elevation view of the adjustable square of FIG. 1;
FIG. 6 is a top plan view of the adjustable square of FIG. 1;
and,
FIG. 7 is a bottom plan view of the adjustable square of FIG. 1.

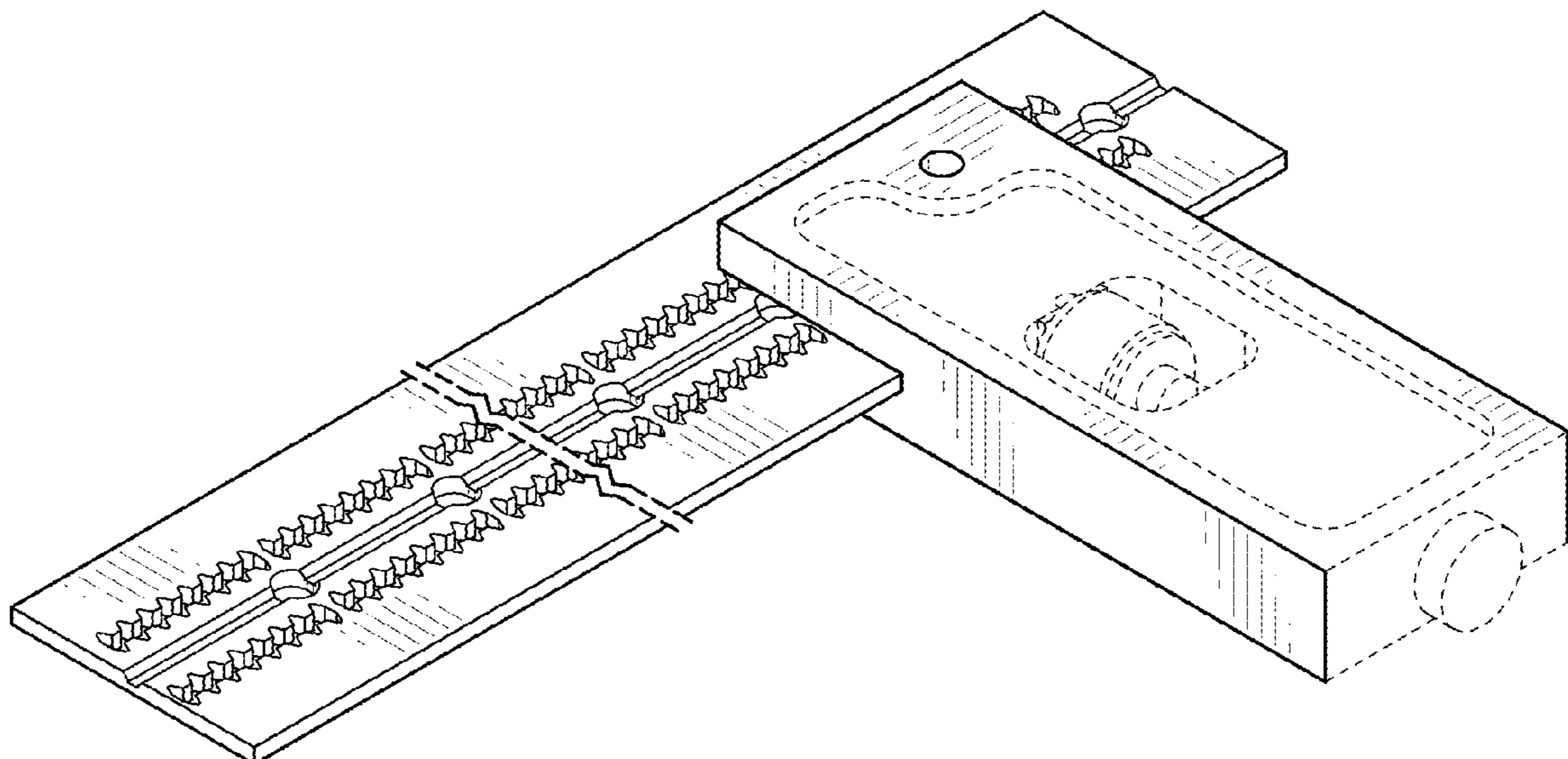
(56) **References Cited**

U.S. PATENT DOCUMENTS

828,375 A 8/1906 Reul
854,351 A 5/1907 Hight
888,070 A 5/1908 Dissell
1,257,683 A 2/1918 Defenbaugh
2,246,066 A * 6/1941 Rothe G01B 3/18
33/824
2,308,373 A 1/1943 Keegan
2,404,911 A 7/1946 King
2,448,440 A * 8/1948 King G01B 3/566
33/427
2,588,131 A 3/1952 Lester
3,335,498 A * 8/1967 Barbee G01B 3/04
33/342

The broken lines shown in drawings are included for the purpose of illustrating portions of the adjustable square, and form no part of the claimed design.
The adjustable square is shown with a symbolic break in its length. The appearance of any portion of the article between the break lines forms no part of the claimed design.

1 Claim, 4 Drawing Sheets



(56)

References Cited

U.S. PATENT DOCUMENTS

4,761,890 A * 8/1988 Morrell G01B 3/004
33/427
5,062,213 A * 11/1991 Kolesky B43L 7/02
33/479
5,339,530 A * 8/1994 Wright G01B 3/566
33/379
6,393,715 B1 5/2002 Ihle
D460,008 S * 7/2002 Cina D10/62
6,785,976 B1 * 9/2004 Morehouse B43L 7/005
33/418
6,931,735 B1 * 8/2005 Clark A47H 7/00
33/194
7,020,978 B1 * 4/2006 Nelson B43L 13/002
33/760
D546,213 S * 7/2007 Daley D10/65
7,254,898 B1 8/2007 Armstrong
D625,624 S * 10/2010 Juhl H02G 1/00
D10/65
D679,968 S * 4/2013 Chiu D8/20
D682,056 S * 5/2013 Beilin D8/20
9,644,934 B2 * 5/2017 Hershkovich G01B 3/566
D814,322 S * 4/2018 Pepper D10/62
10,239,200 B2 3/2019 Pepper
D848,872 S * 5/2019 Hummel D10/65

D853,256 S * 7/2019 Lee D10/65
D866,363 S * 11/2019 Mackey D10/65
10,532,603 B2 * 1/2020 Hummel B43L 7/02
D883,821 S * 5/2020 Herniman D10/65
D887,875 S * 6/2020 Mackey D10/65
11,142,018 B2 * 10/2021 Logan G01B 3/04
11,168,969 B1 * 11/2021 Turley G01B 3/004
11,168,970 B1 * 11/2021 Turley G01B 3/04
2006/0283032 A1 * 12/2006 Yang B43L 7/10
33/419
2007/0056175 A1 * 3/2007 Lee B43L 12/02
33/471
2007/0204475 A1 * 9/2007 Marcus G01B 3/566
33/480
2014/0290080 A1 * 10/2014 Buzzell G01B 3/566
33/469
2014/0373373 A1 * 12/2014 Hershkovich G01B 3/563
33/427
2017/0341219 A1 * 11/2017 Pepper G01B 3/006
2019/0225009 A1 * 7/2019 Hummel B43L 7/12
2021/0072012 A1 * 3/2021 Andersson B43L 7/12
2021/0325161 A1 * 10/2021 Turley G01B 3/566
2021/0325162 A1 * 10/2021 Turley G01B 3/04
2021/0325163 A1 * 10/2021 Turley G01B 3/04
2022/0011084 A1 * 1/2022 Cross G01B 3/56
2022/0024244 A1 * 1/2022 Walsh B43L 7/0275

* cited by examiner

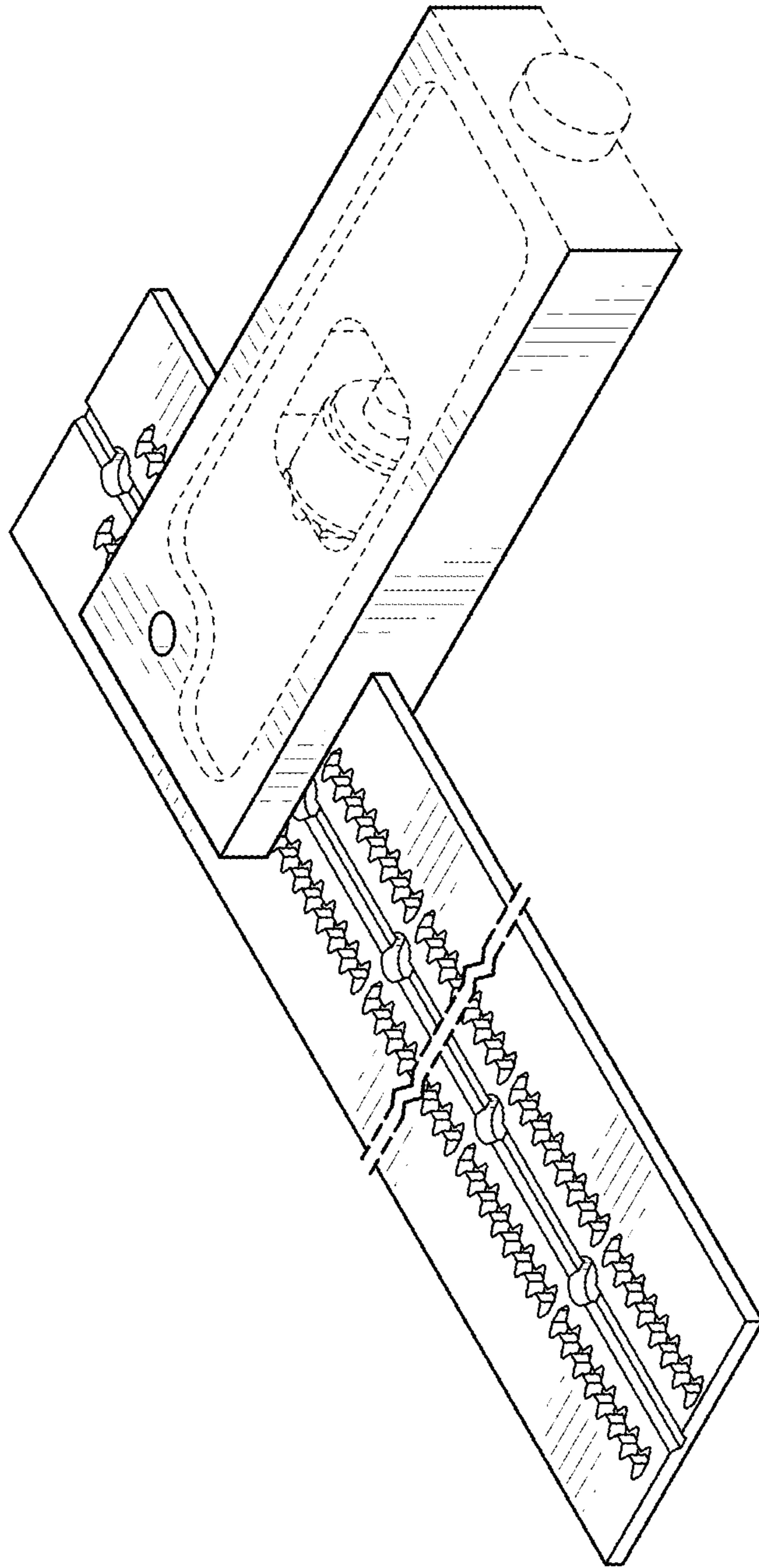


FIG. 1

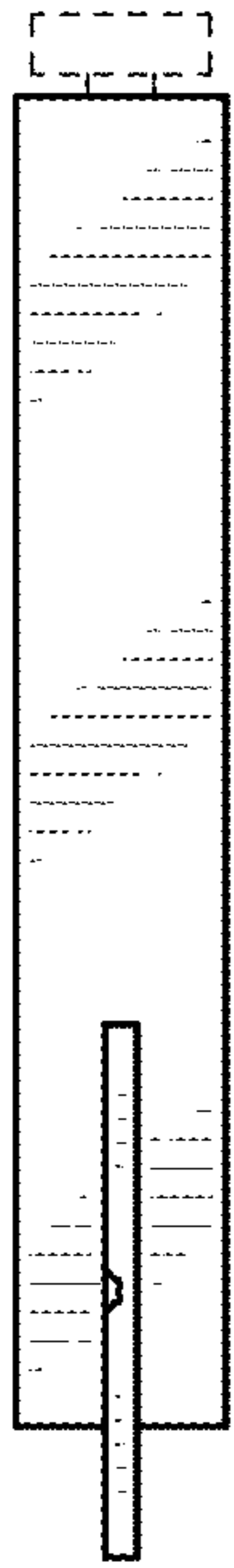


FIG. 2



FIG. 3

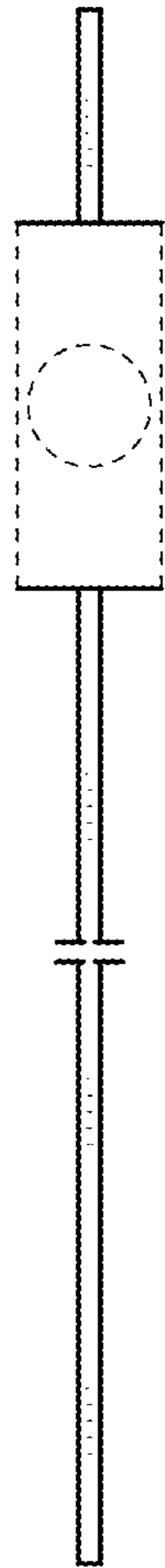


FIG. 4

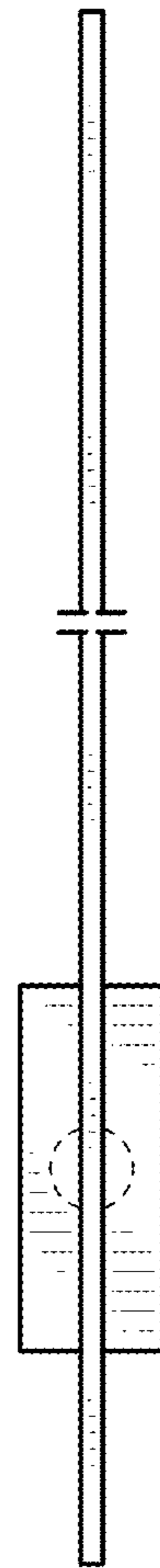


FIG. 5

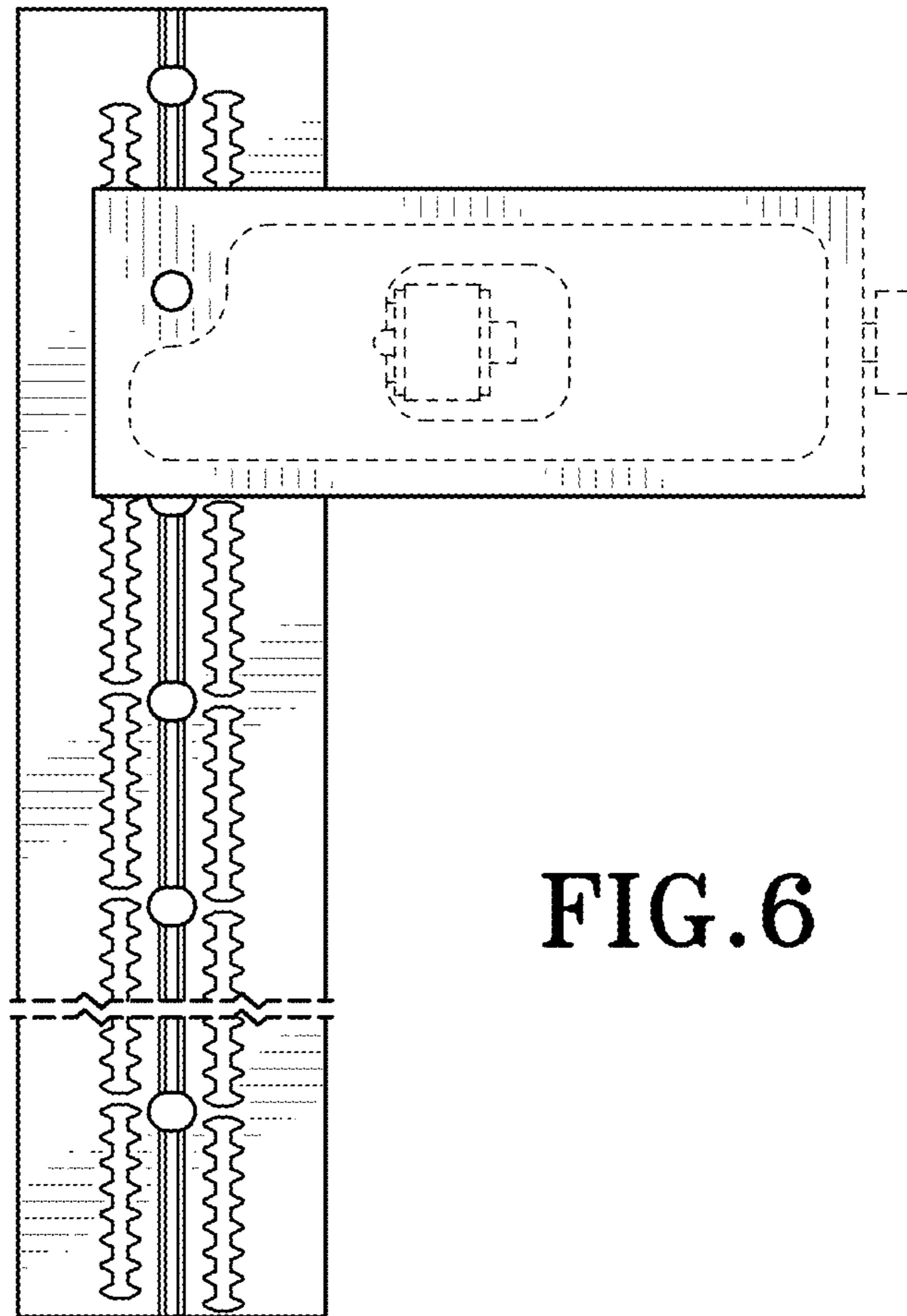


FIG. 6

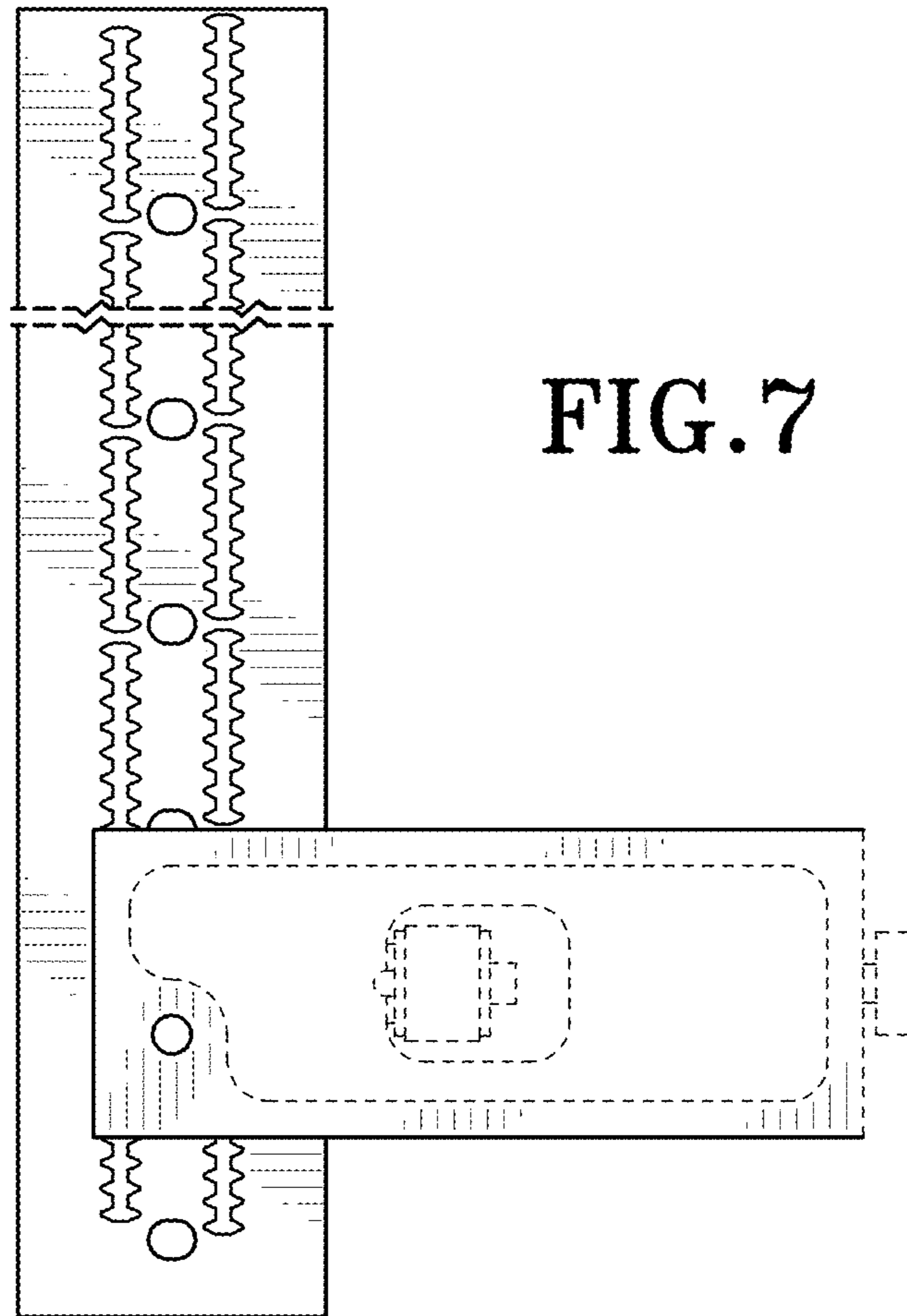


FIG. 7