



US00D951039S

(12) **United States Design Patent**
Weber et al.

(10) **Patent No.:** **US D951,039 S**

(45) **Date of Patent:** **** May 10, 2022**

(54) **LAWN STRIPER**

(71) Applicant: **Reliable Production Machining & Welding**, Kendallville, IN (US)

(72) Inventors: **Clay C. Weber**, LaOtto, IN (US);
Lucas C. Drerup, Kendallville, IN (US)

(73) Assignee: **Reliable Production Machining & Welding**, Kendallville, IN (US)

(**) Term: **15 Years**

(21) Appl. No.: **29/723,866**

(22) Filed: **Feb. 11, 2020**

(51) **LOC (13) Cl.** **08-01**

(52) **U.S. Cl.**
USPC **D8/1**

(58) **Field of Classification Search**
USPC D8/1; D15/17
CPC A01D 34/001; A01D 34/62; A01D 43/00;
A01D 43/43; A01D 43/64; A01D 43/82;
A01G 20/35; A01G 20/30
See application file for complete search history.

(56) **References Cited**

U.S. PATENT DOCUMENTS

- 1,538,550 A * 5/1925 Hamilton A01B 29/02
404/130
- 3,515,220 A * 6/1970 Reece A01B 29/02
172/245
- 4,062,534 A * 12/1977 Sasahara G03G 15/2028
271/311
- 4,481,757 A * 11/1984 Tsuchiya A01D 34/42
56/16.9
- 5,870,888 A * 2/1999 Pugh A01D 34/001
56/16.7

- D607,902 S * 1/2010 Sprinkmann A01D 34/54
D15/17
- 8,112,976 B1 * 2/2012 Kallevig A01D 43/00
56/17.4
- 2004/0182056 A1 * 9/2004 Greenhoe A01B 29/043
56/1
- 2009/0113864 A1 * 5/2009 Eavenson, Sr. A01D 43/00
56/1
- 2010/0115907 A1 * 5/2010 Trevillyan A01D 34/54
56/249
- 2015/0208588 A1 * 7/2015 Cady A01G 20/43
15/98

OTHER PUBLICATIONS

Turf Striper for 60" Exmark Lazer Z Ultra Cut Series 4 and Series 6 2011-2014. (Aug. 20, 2014). Amazon.Co.Uk. Retrieved Dec. 13, 2021, URL:<<https://www.amazon.co.uk/Harrison-Specialties-Striper-Striping-2010-2017/dp/B00JTZ0XTU>> (Year: 2014).*

* cited by examiner

Primary Examiner — Rachel A. Voorhies
Assistant Examiner — Benjamin D. Wannemacher
(74) *Attorney, Agent, or Firm* — Taylor IP, P.C.

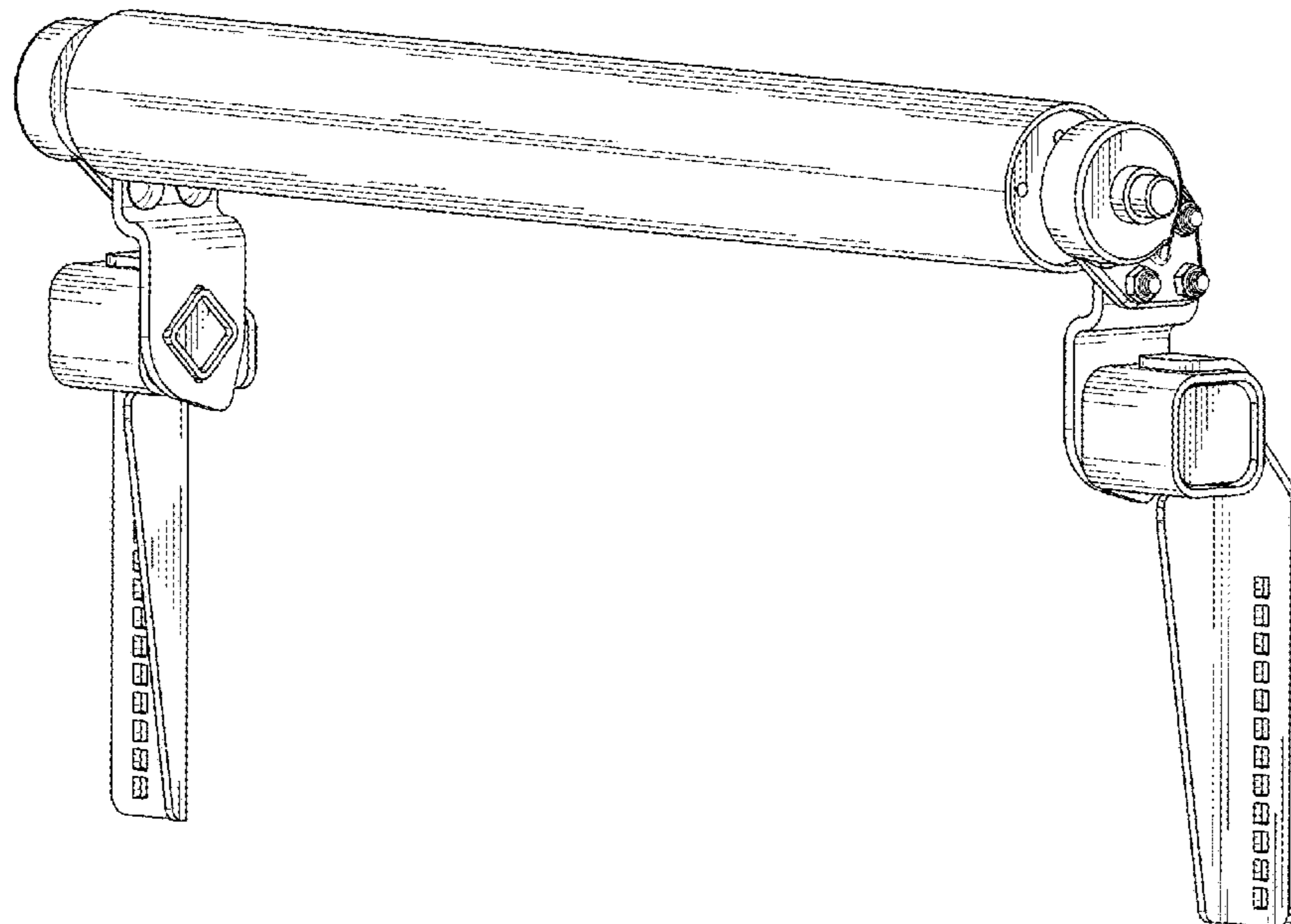
(57) **CLAIM**

The ornamental design for a lawn striper, as shown and described.

DESCRIPTION

FIG. 1 is a perspective view of a lawn striper showing our new design;
FIG. 2 is a rear view thereof;
FIG. 3 is a front view thereof;
FIG. 4 is a bottom view thereof;
FIG. 5 is a top view thereof;
FIG. 6 is an end view thereof; and,
FIG. 7 is an opposite end view thereof.

1 Claim, 5 Drawing Sheets



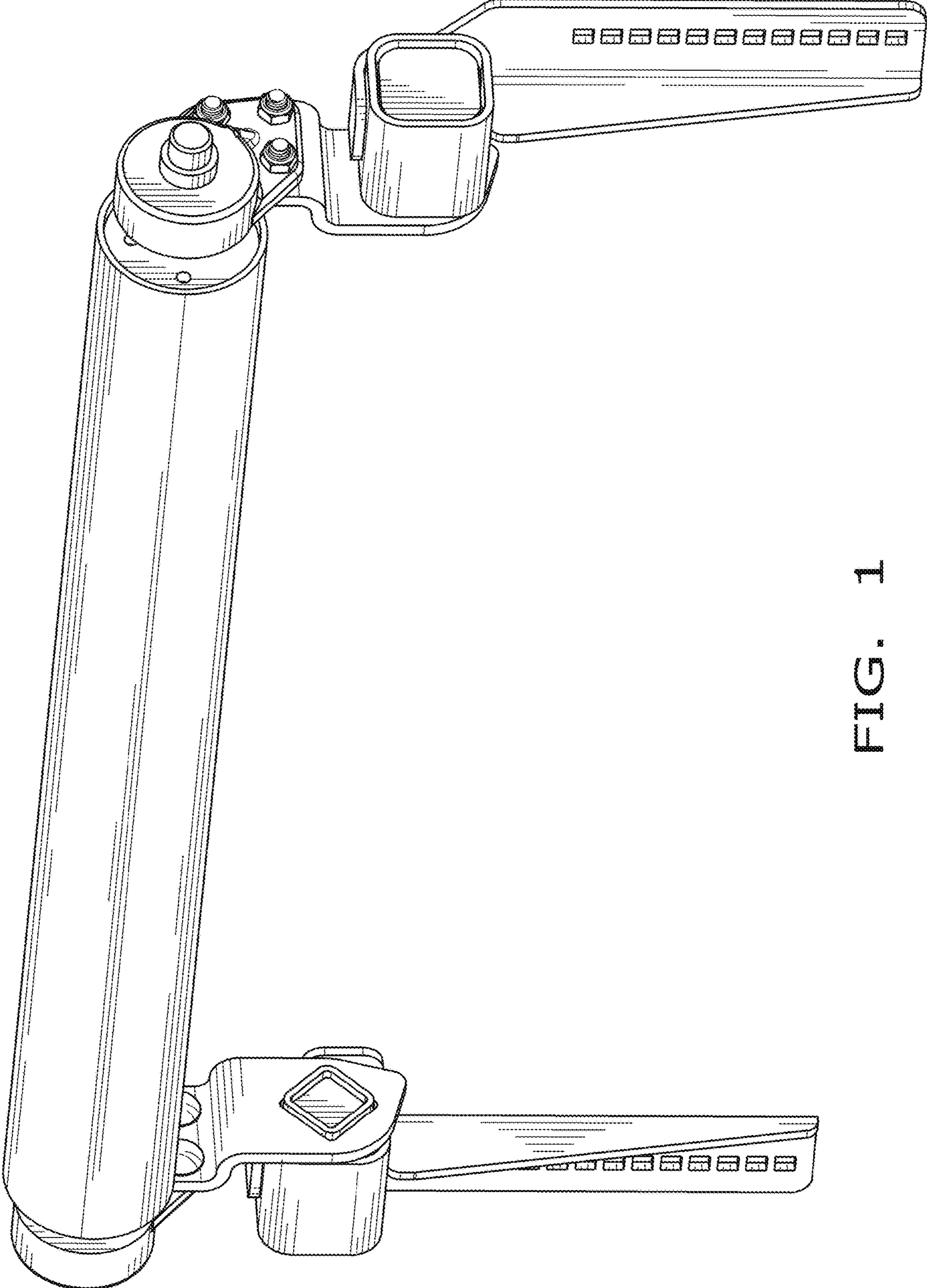


FIG. 1

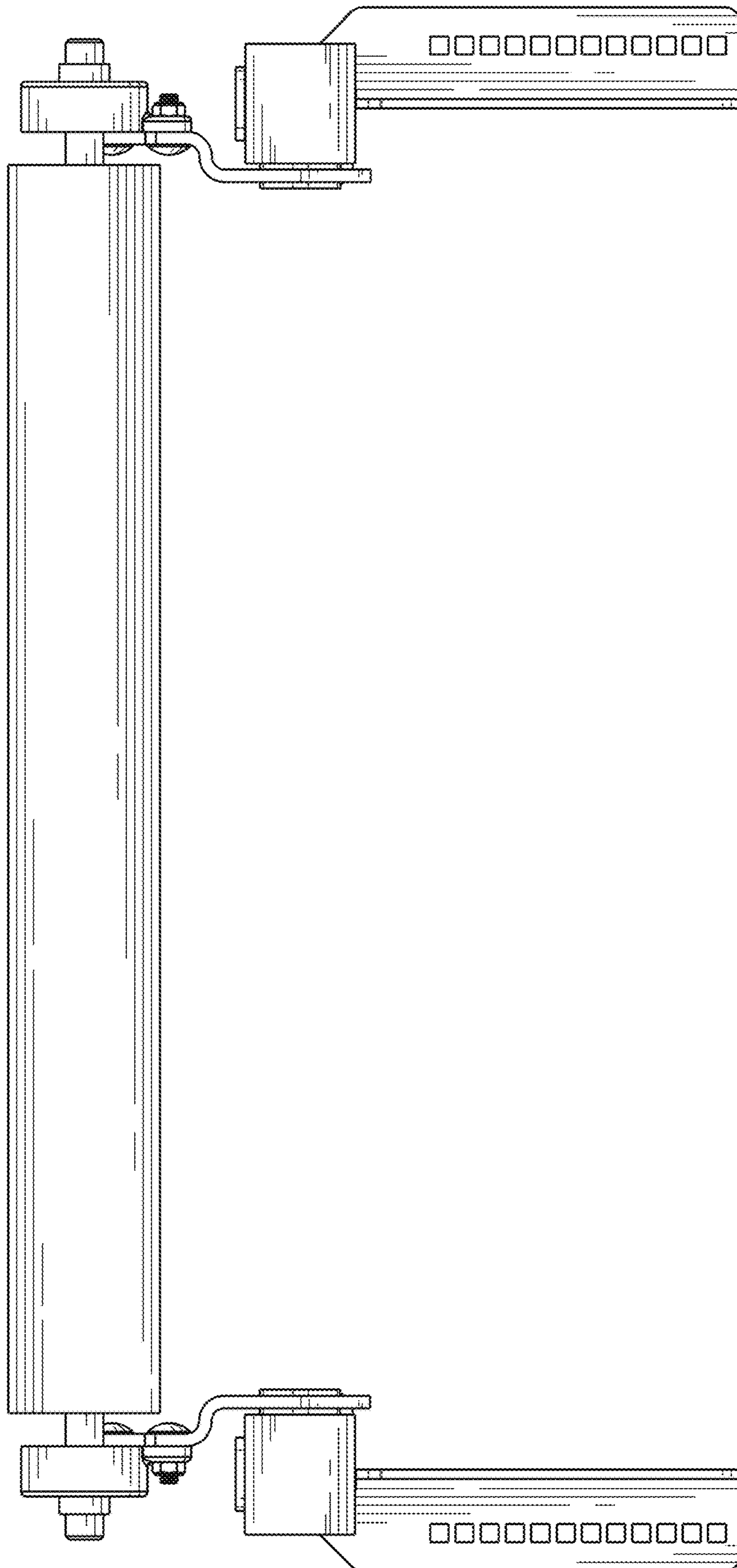


FIG. 2



FIG. 3

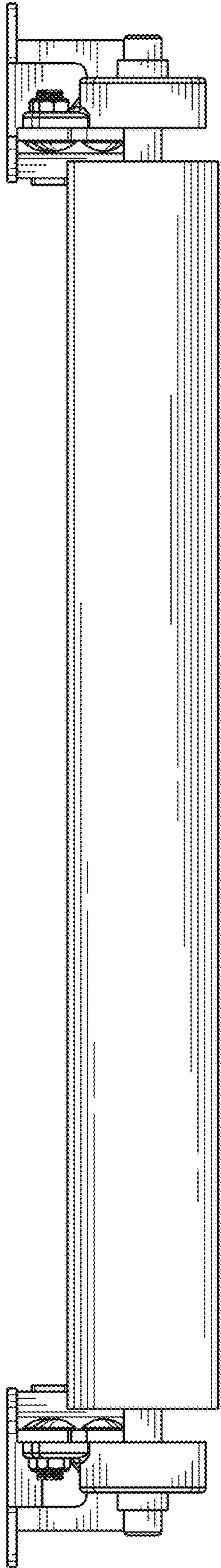


FIG. 4

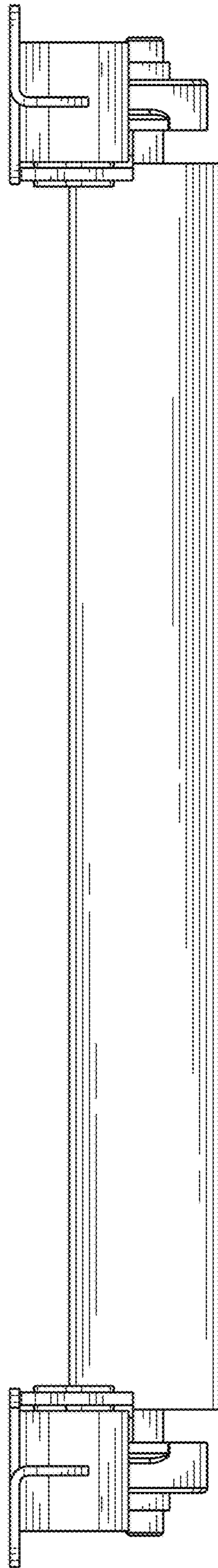


FIG. 5

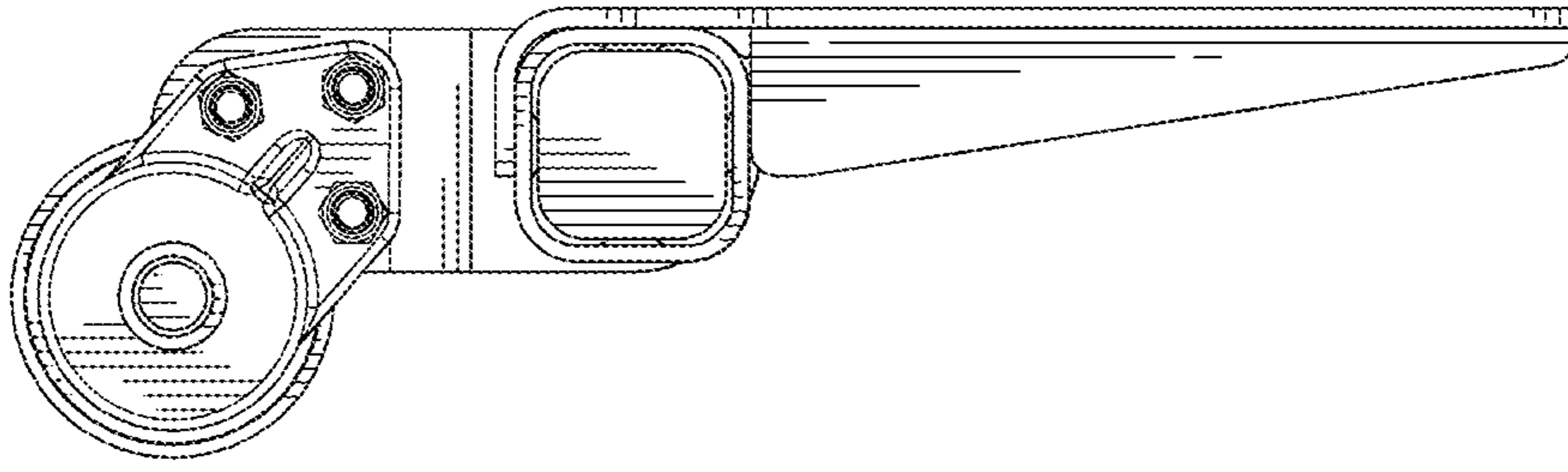


FIG. 7

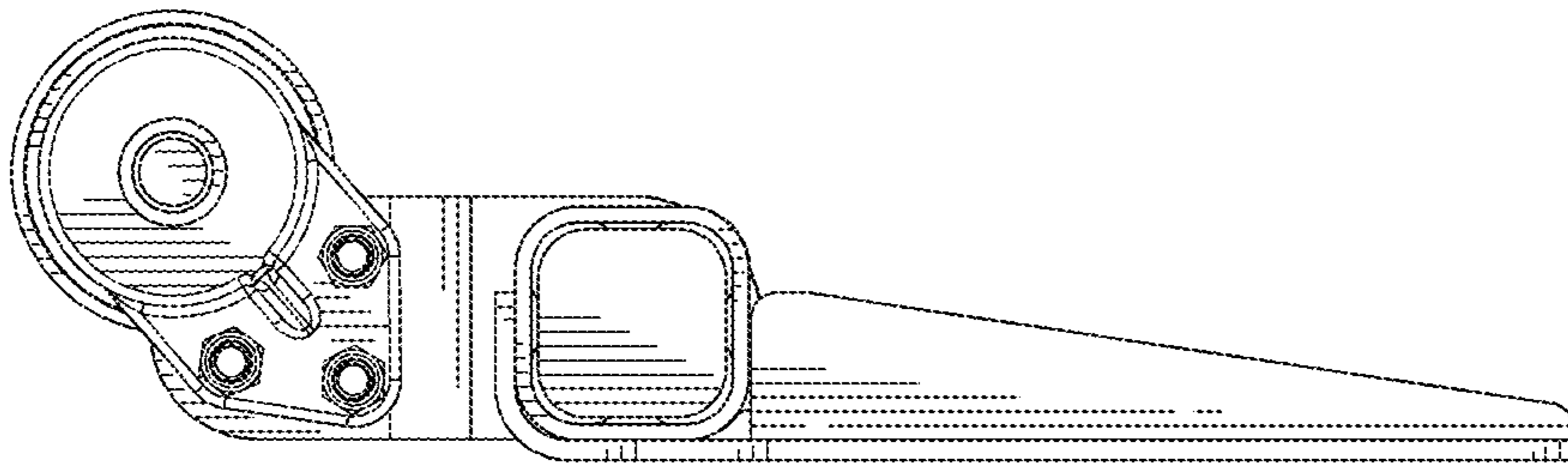


FIG. 6