



US00D951037S

(12) **United States Design Patent**
El Hassan

(10) **Patent No.:** **US D951,037 S**
(45) **Date of Patent:** **** May 10, 2022**

(54) **VERSATILE LUNCH BOX**

FOREIGN PATENT DOCUMENTS

(71) Applicant: **Prince Mohammad Bin Fahd University, Dhahran (SA)**

CN 207341354 U 5/2018
EP 3 017 736 B1 6/2018

(Continued)

(72) Inventor: **Mouhammad El Hassan, Dhahran (SA)**

OTHER PUBLICATIONS

(73) Assignee: **Prince Mohammad Bin Fahd University, Dhahran (SA)**

Amazon.com, Eco-Life Home Design Bento box, pp. 1-9, ASIN: B07F7WV876, date first available Jul. 3, 2018. (Year: 2018).*

(Continued)

(**) Term: **15 Years**

Primary Examiner — Terry A Wallace

(21) Appl. No.: **29/726,054**

(74) *Attorney, Agent, or Firm* — Oblon, McClelland, Maier & Neustadt, L.L.P.

(22) Filed: **Feb. 28, 2020**

(51) **LOC (13) Cl.** **07-07**

(52) **U.S. Cl.**

USPC **D7/703; D7/629**

(57) **CLAIM**

(58) **Field of Classification Search**

USPC D7/605, 607, 701, 703, 629, 630;
D3/287, 276, 289, 283, 272-274, 201,
D3/203.1-203.8

CPC A45C 11/20; A45C 11/00; A45C 13/02;
B65D 25/04; B65D 25/06; B65D 77/08;
B65D 43/14; B65D 43/16; B65D 1/24;
B65D 1/36; B65D 81/3813; B65D
81/3825; A47G 23/04; A45F 3/46

See application file for complete search history.

The ornamental design for a versatile lunch box, as shown and described.

DESCRIPTION

FIG. 1 is a front perspective view of a versatile lunch box showing my new design.

FIG. 2 is a top plan view thereof.

FIG. 3 is a rear view thereof.

FIG. 4 is a front view thereof.

FIG. 5 is a right side view thereof.

FIG. 6 is as a left side view thereof.

FIG. 7 is a bottom plan view thereof.

FIG. 8 is a front cross section view thereof taken along line 8-8 of FIG. 2.

FIG. 9 is a top cross section view thereof taken along line 9-9 of FIG. 4.

FIG. 10 is an exploded perspective view thereof.

FIG. 11 is a right side exploded view thereof; and,

FIG. 12 is a front exploded view thereof.

(56) **References Cited**

U.S. PATENT DOCUMENTS

4,346,813 A * 8/1982 Cho B65D 25/04
220/532

D472,774 S * 4/2003 Pelstring D7/629

8,328,034 B2 * 12/2012 Miros B65B 7/16
220/4.22

9,414,701 B1 * 8/2016 Yen A47J 41/0072

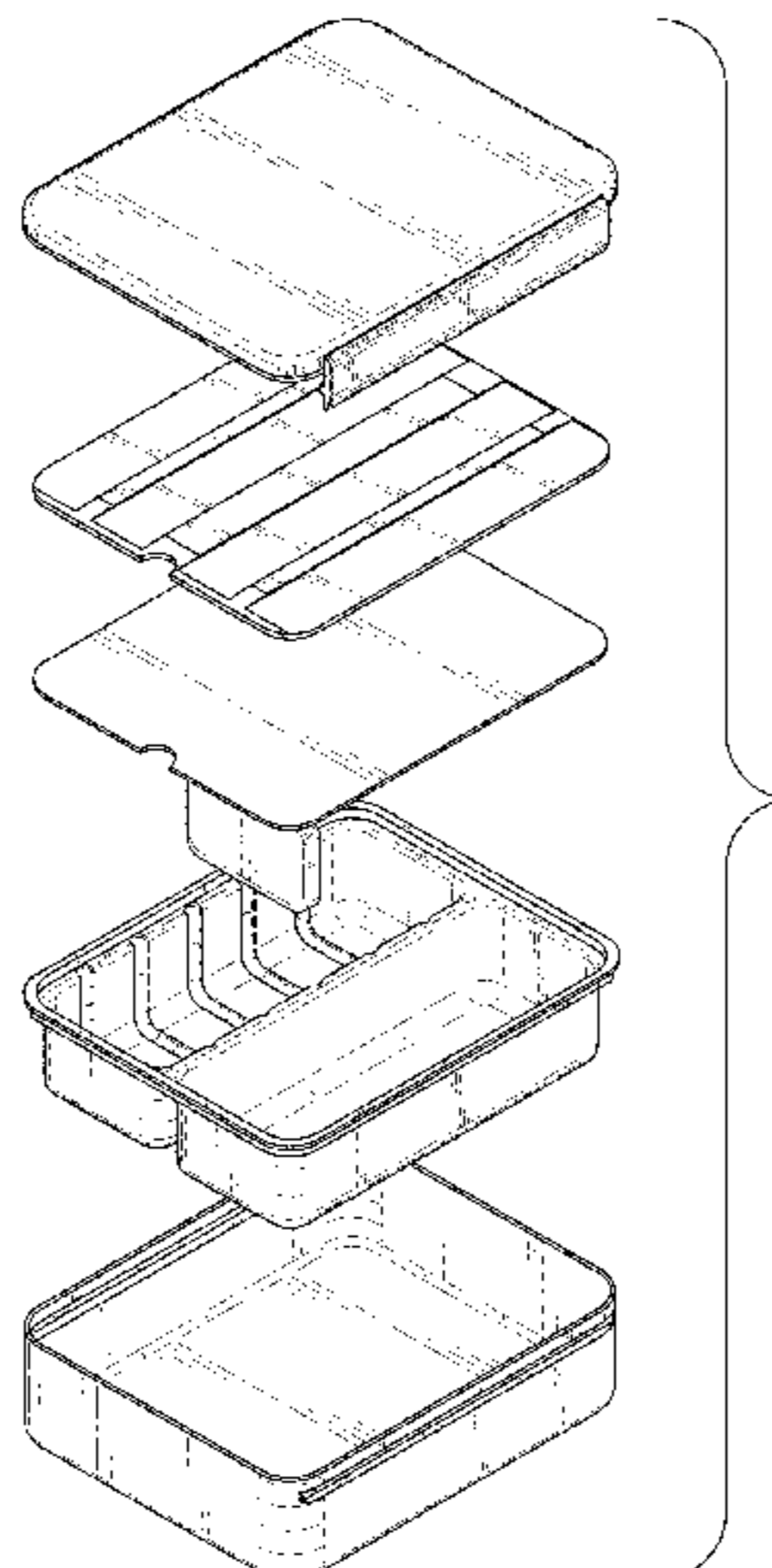
10,271,672 B1 4/2019 Yen et al.

2010/0224531 A1 * 9/2010 Claffy B65D 81/3823
206/561

2010/0308039 A1 * 12/2010 Miros B65D 45/16
220/4.22

(Continued)

1 Claim, 9 Drawing Sheets



(56)

References Cited

U.S. PATENT DOCUMENTS

2011/0114526 A1* 5/2011 Neumann A45C 11/20
206/459.5
2013/0008909 A1 1/2013 Terracciano
2013/0180217 A1* 7/2013 Brubaker G01R 33/4633
53/473
2014/0299505 A1* 10/2014 Stahle A45C 11/00
206/546
2014/0345314 A1* 11/2014 Cox A45C 11/20
62/440
2019/0375551 A1* 12/2019 Bell B65D 77/046

FOREIGN PATENT DOCUMENTS

EP 3 381 317 A1 10/2018
JP 2011-201580 A 10/2011

OTHER PUBLICATIONS

LunchBots Medium Trio II Snack Container, pp. 1-12, ASIN:
B01NA753TF, first date available Jan. 19, 2017. (Year: 2017).*
Wirecutter ; The Best Kids Lunch Boxes for 2019: Reviews by
Wirecutter; <https://thewirecutter.com/reviews/best-kids-lunch-boxes/> ; Nov. 19, 2019 ; 3 Pages.

* cited by examiner

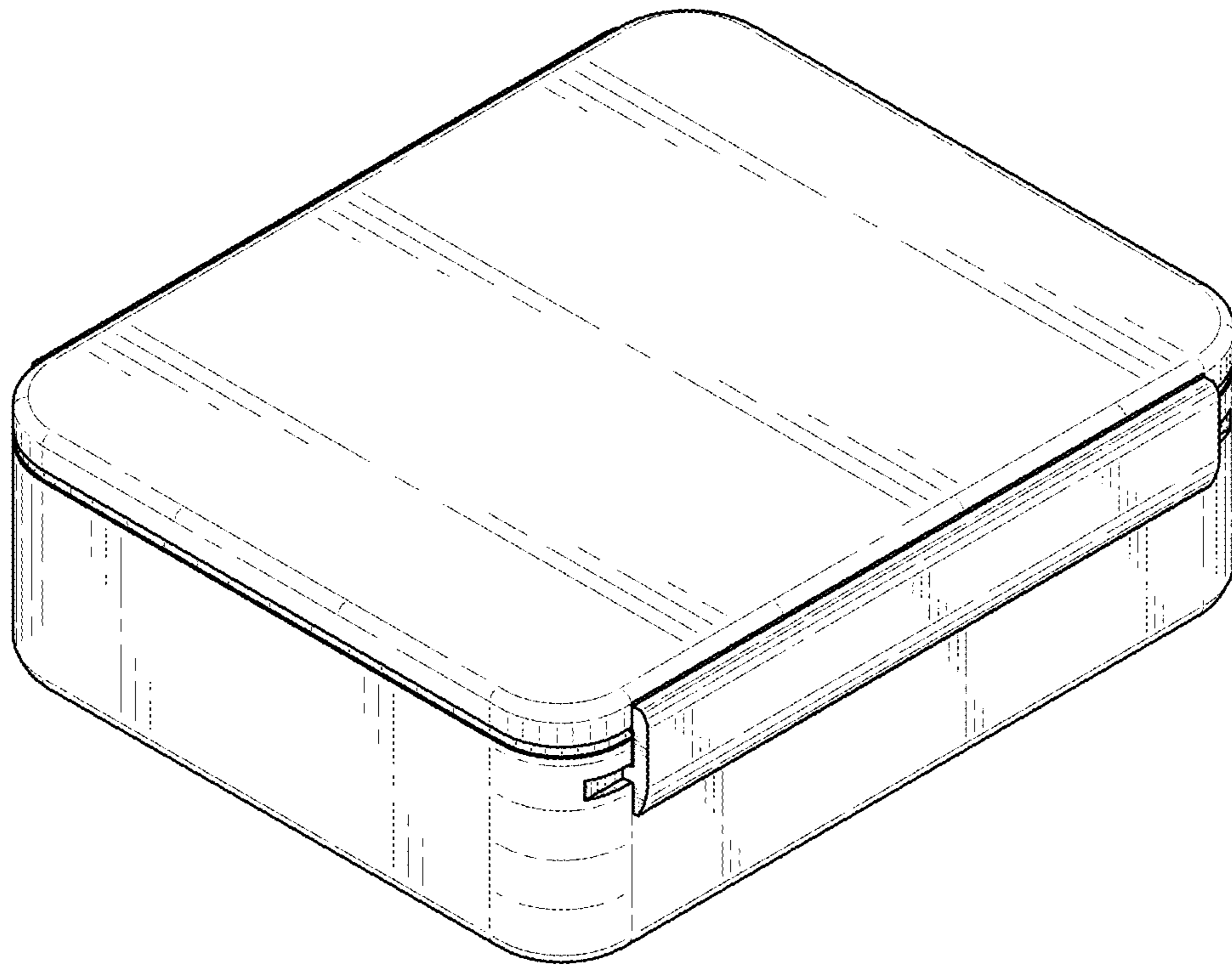


FIG. 1

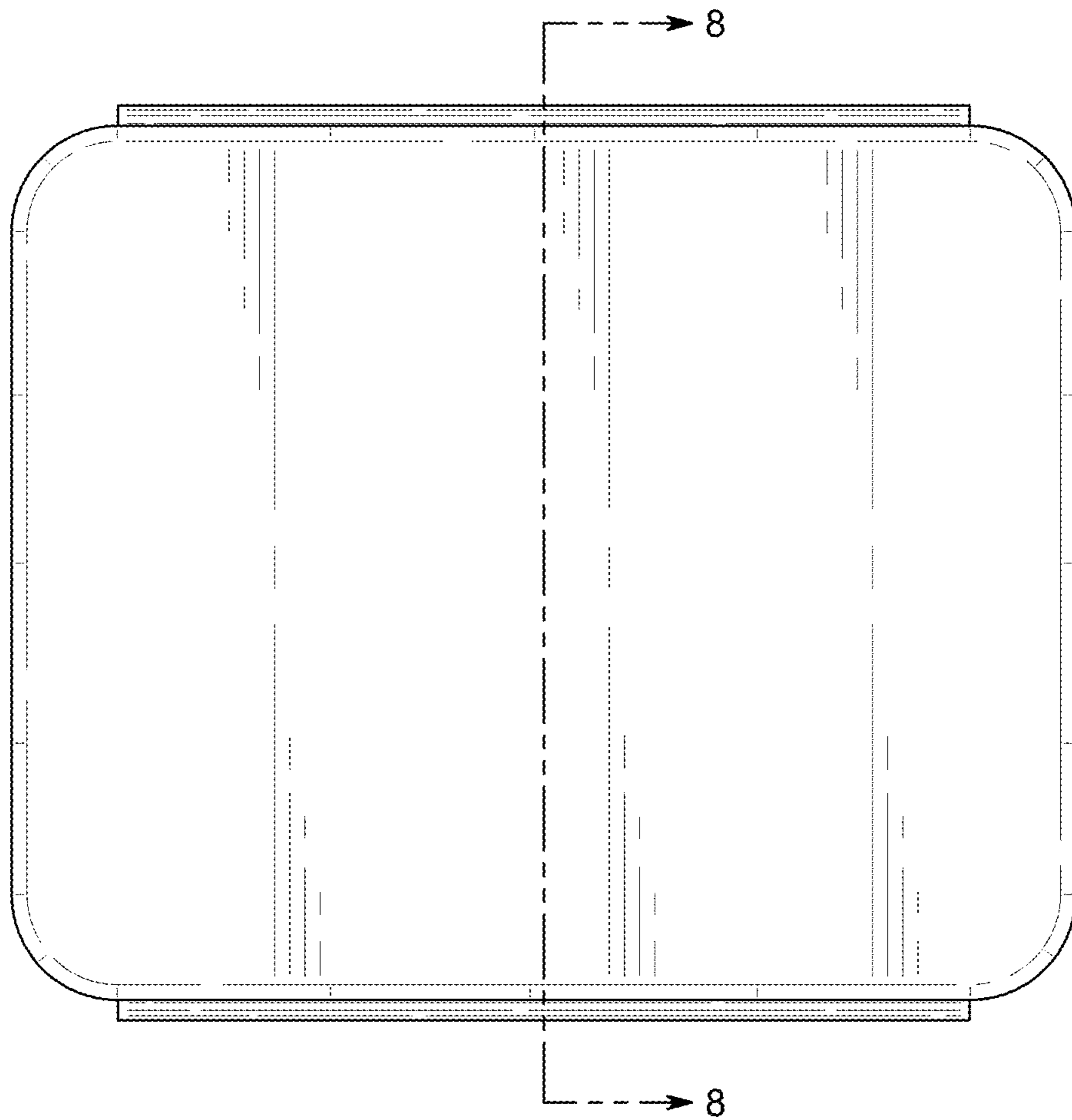


FIG. 2

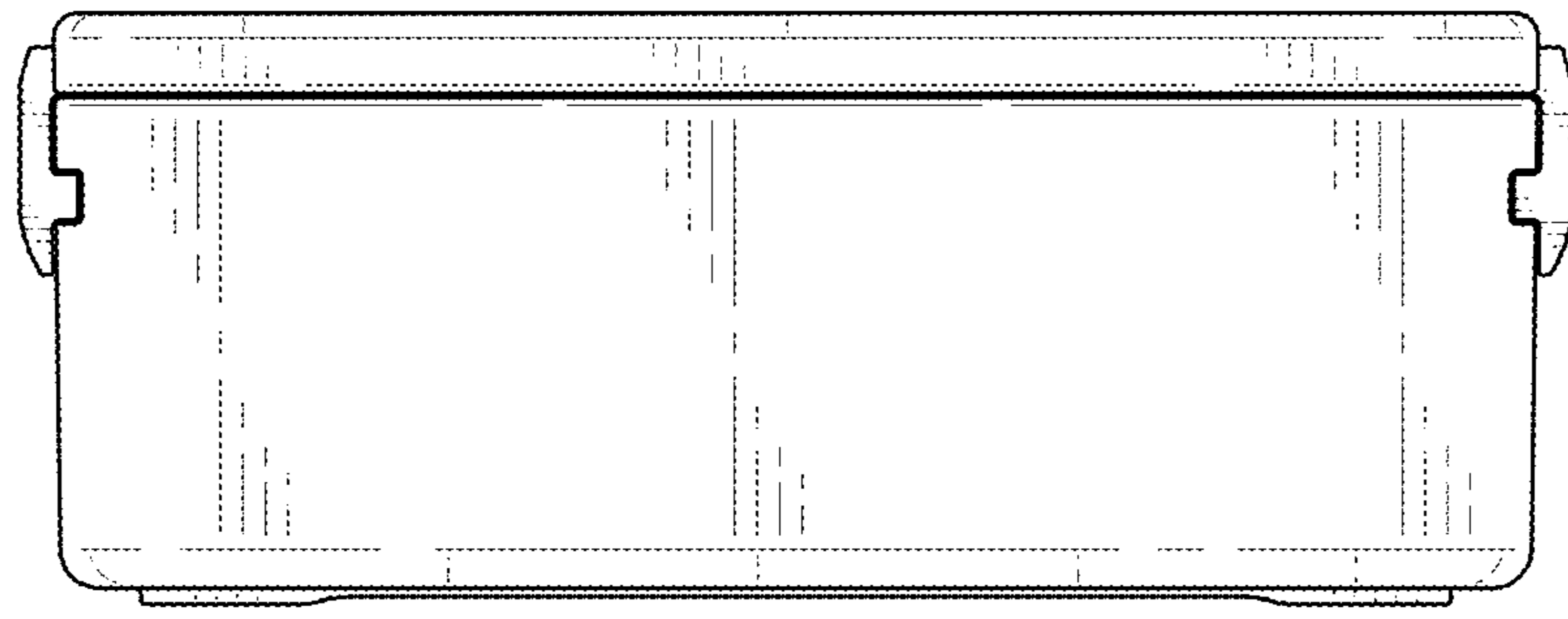


FIG. 3

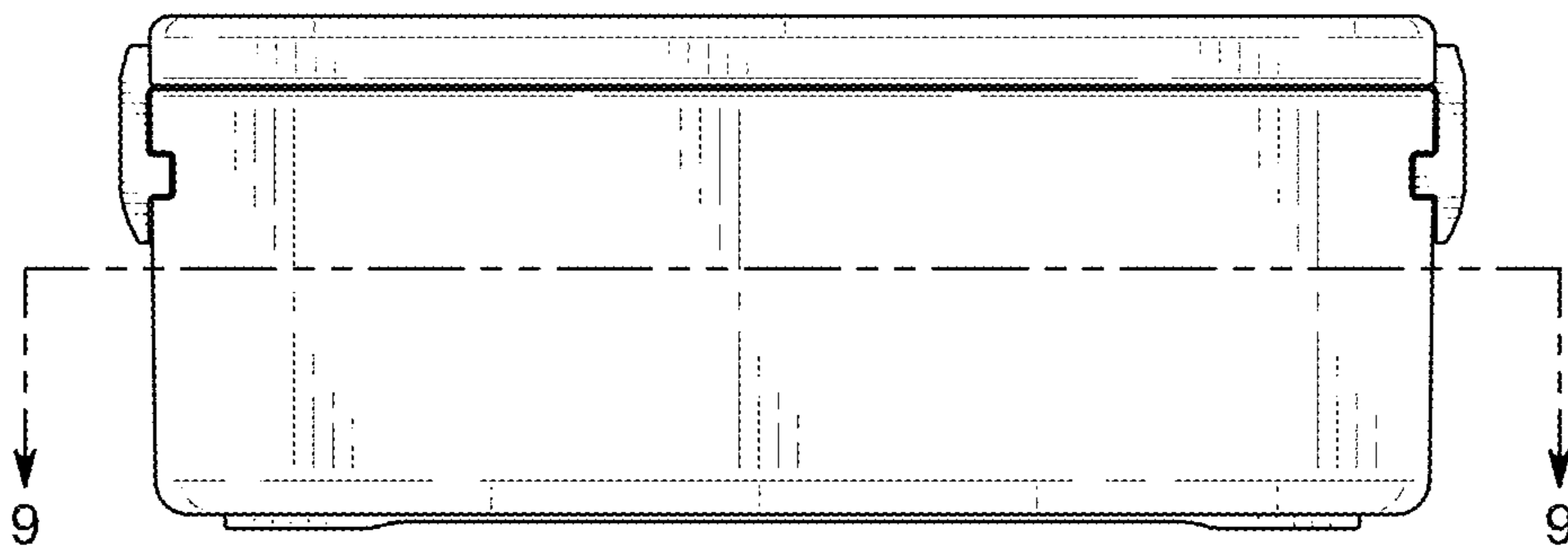


FIG. 4

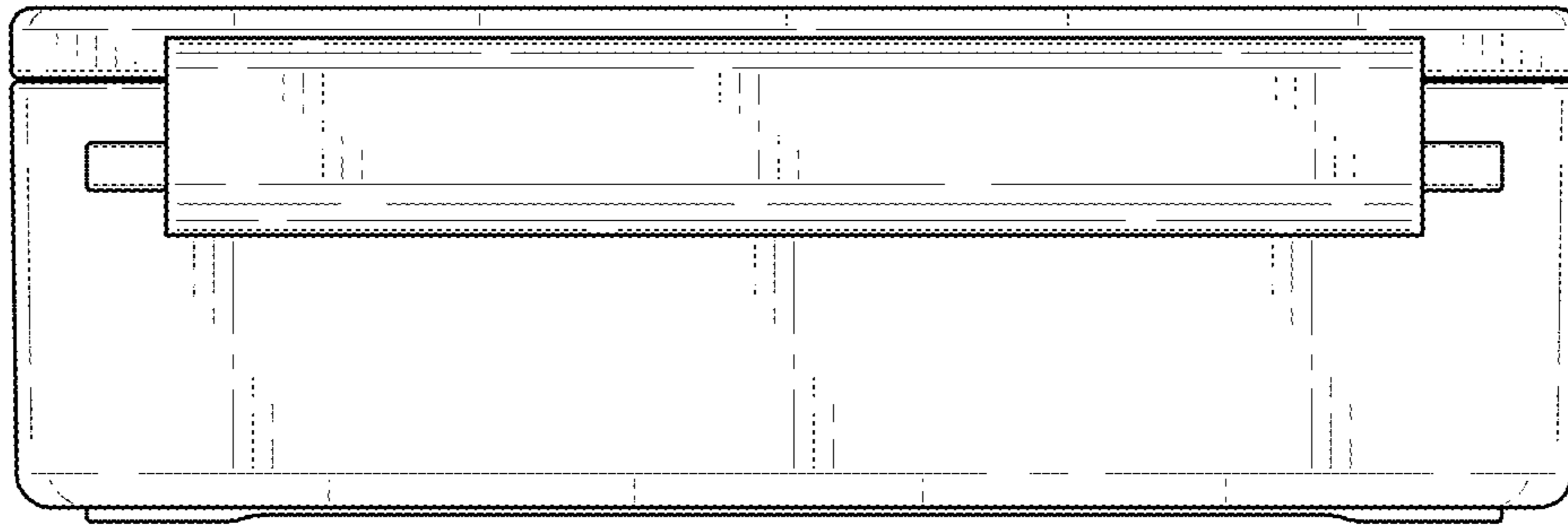


FIG. 5

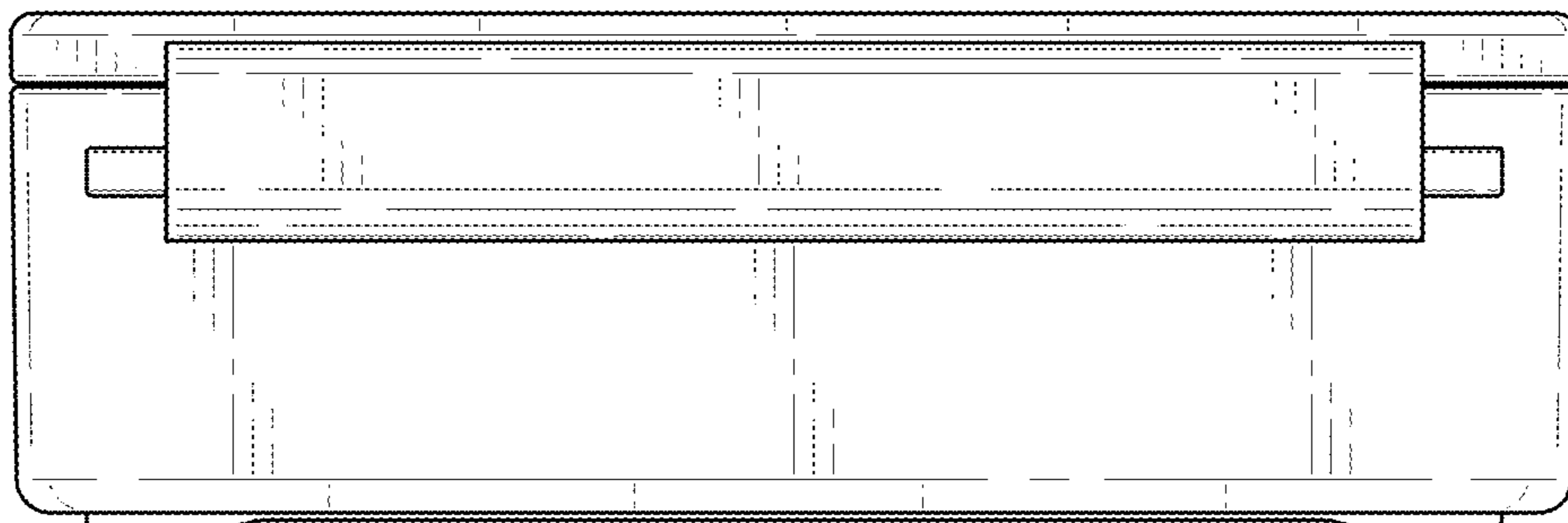


FIG. 6

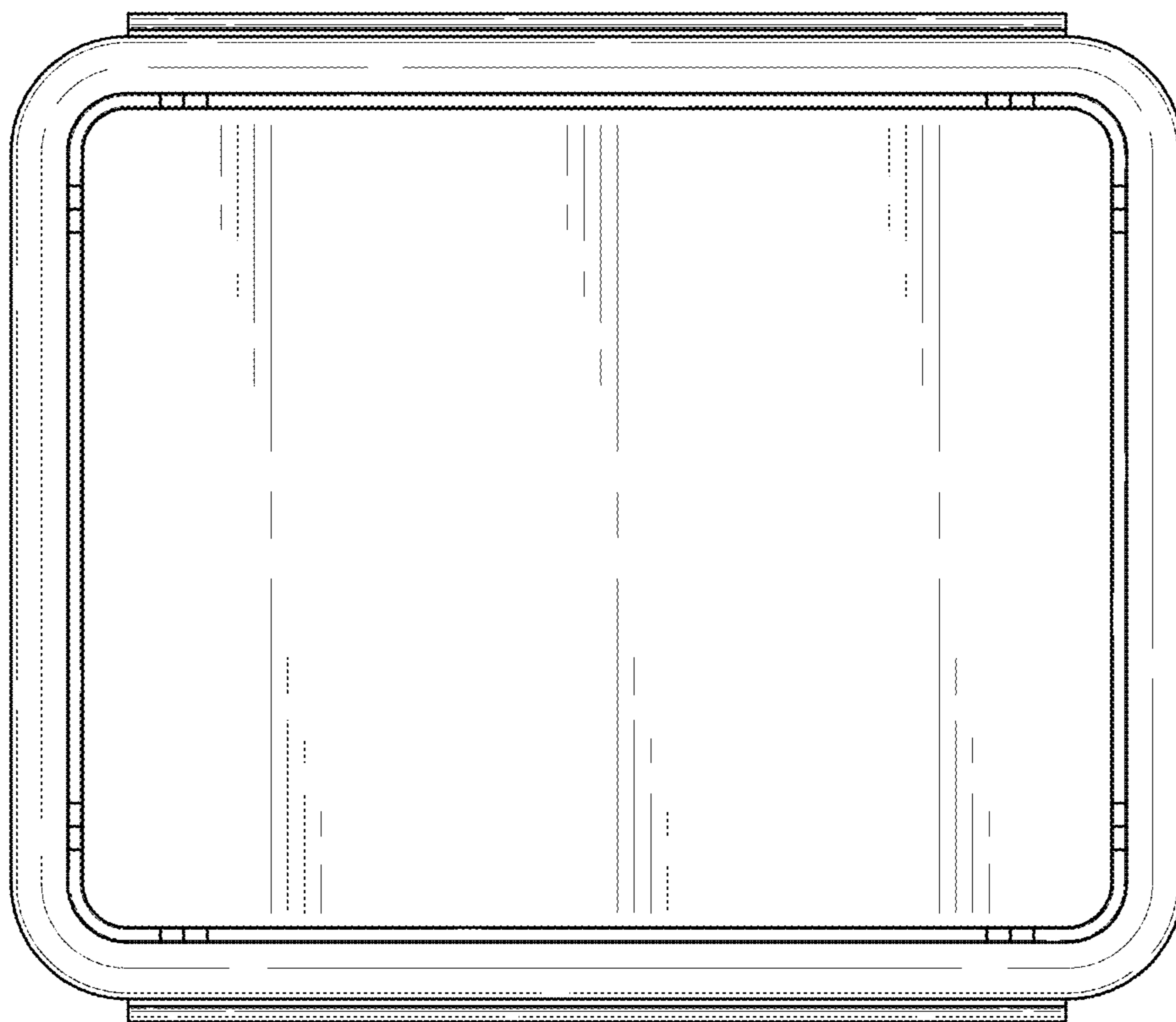


FIG. 7

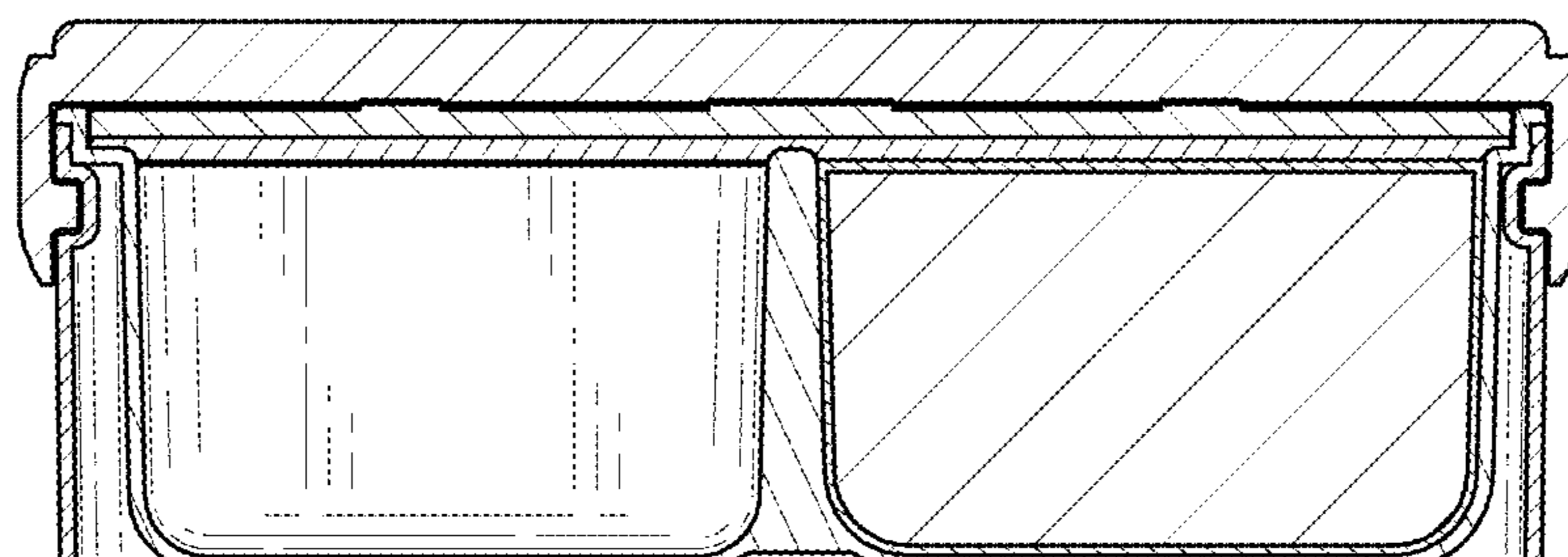


FIG. 8

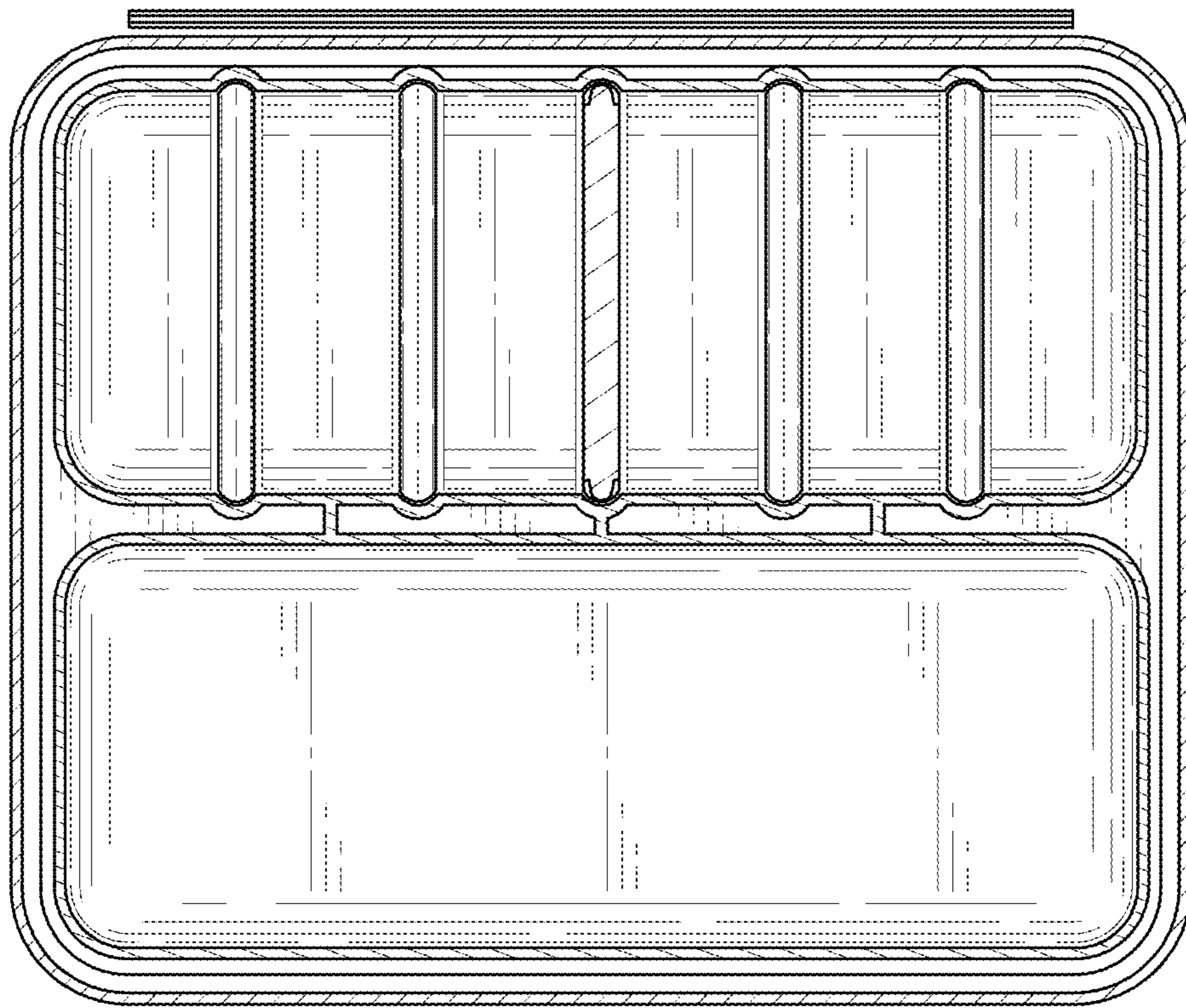


FIG. 9

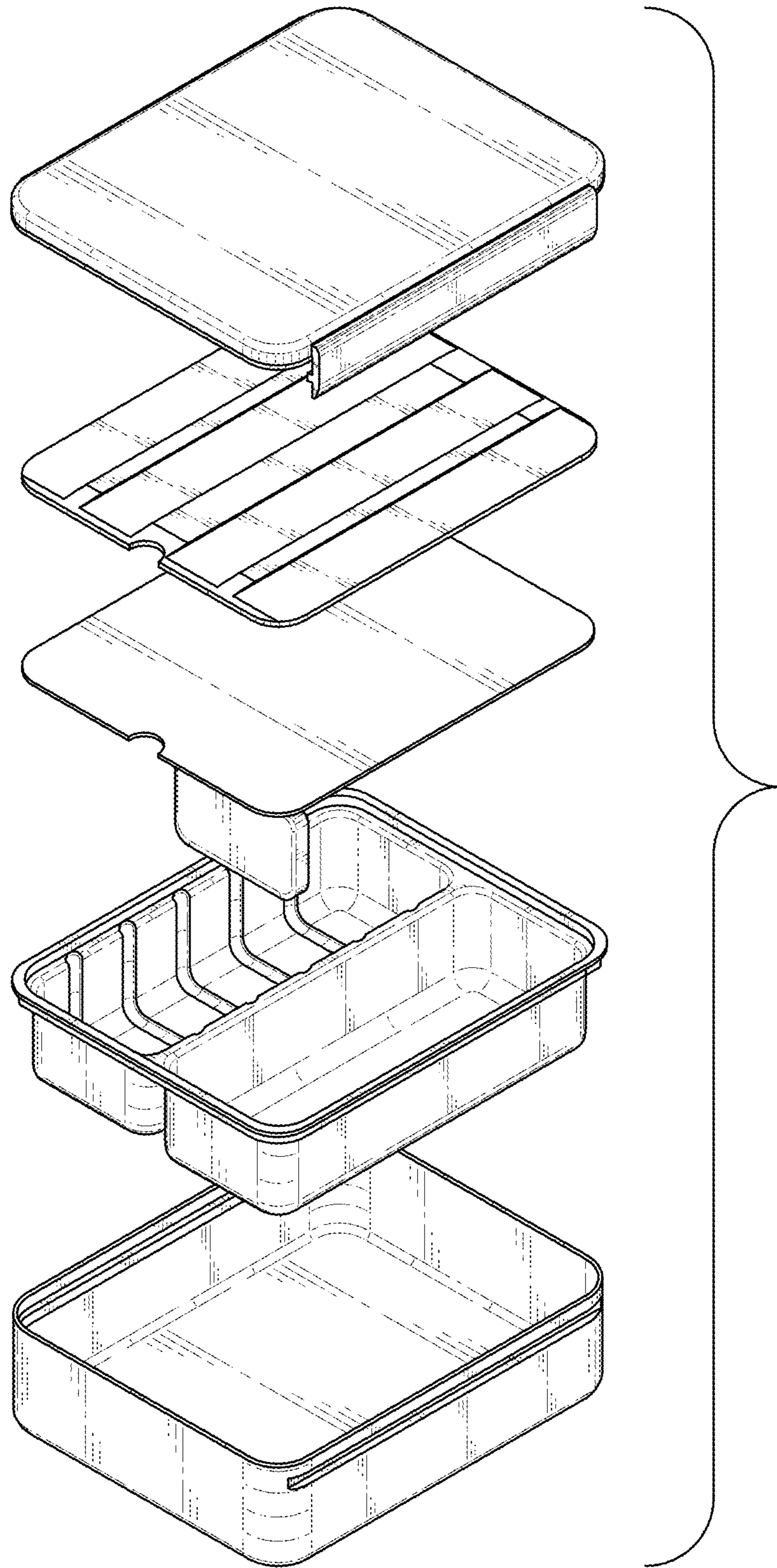


FIG. 10

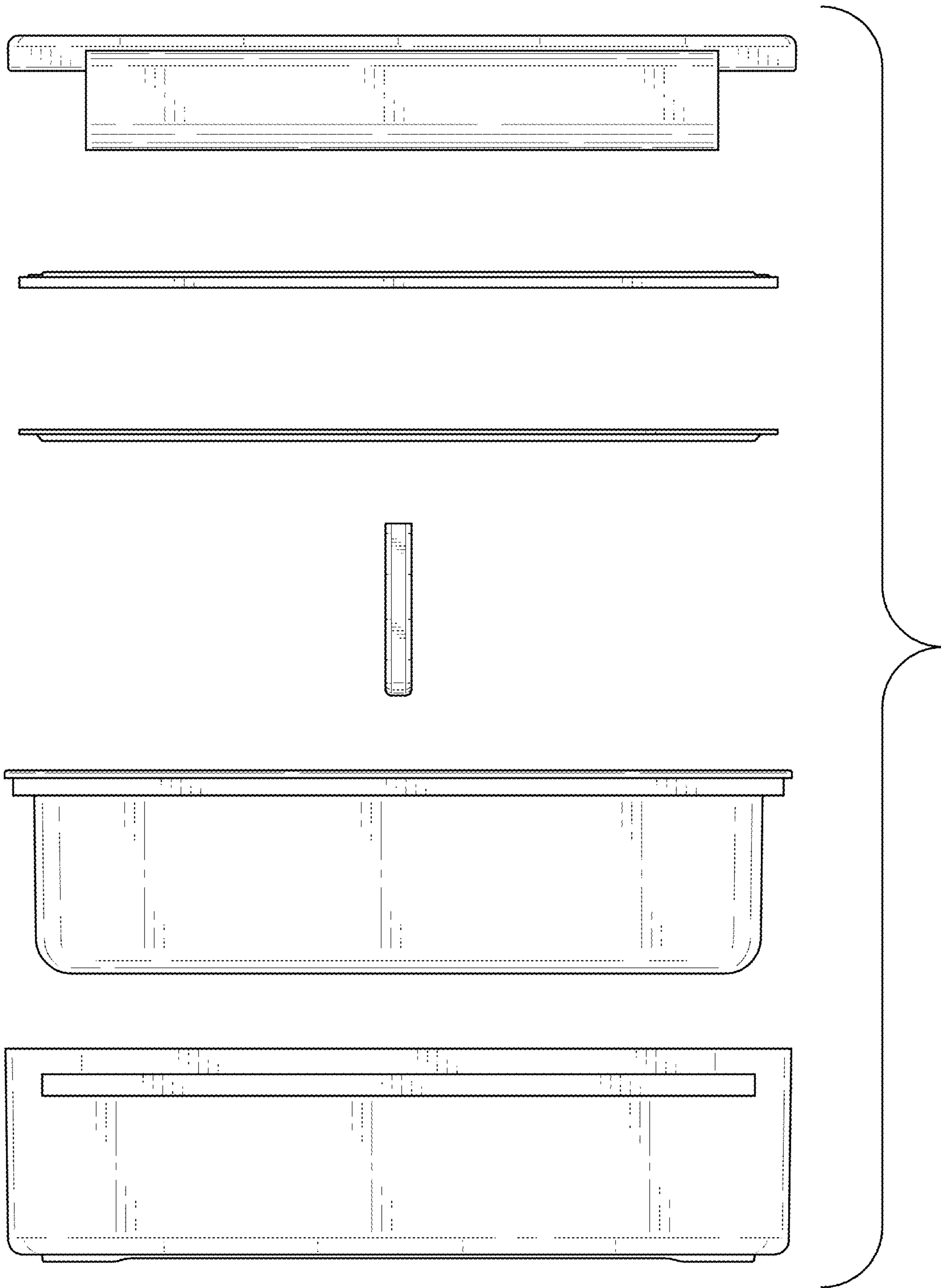


FIG. 11

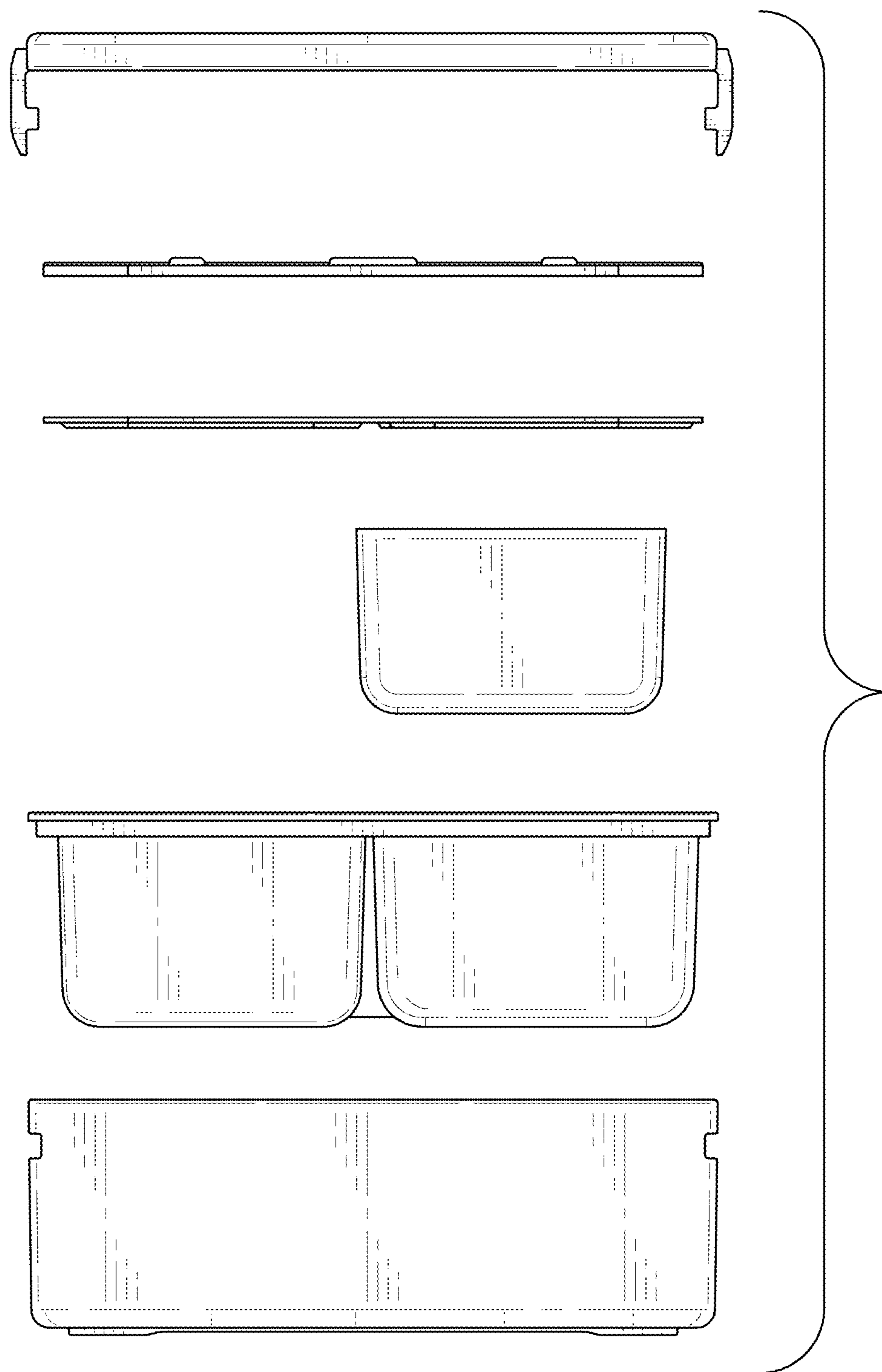


FIG. 12