



US00D951036S

(12) **United States Design Patent** (10) **Patent No.:** **US D951,036 S**
Horton (45) **Date of Patent:** **** May 10, 2022**

(54) **CURVED BLADE WITH OPENER**
(71) Applicant: **Rodney Horton**, Braintree, MA (US)
(72) Inventor: **Rodney Horton**, Braintree, MA (US)
(**) Term: **15 Years**

(21) Appl. No.: **29/783,042**
(22) Filed: **May 11, 2021**
(51) **LOC (13) Cl.** **07-06**
(52) **U.S. Cl.**
USPC **D7/696**; D8/20
(58) **Field of Classification Search**
USPC D8/14, 20, 98; D7/693, 696, 650;
D22/118
CPC B26B 3/00; B26B 9/00; B26B 9/02; A47J
17/04
See application file for complete search history.

(56) **References Cited**
U.S. PATENT DOCUMENTS

D48,669 S * 3/1916 Davis D7/693
1,676,649 A 7/1928 Podel
2,753,632 A * 7/1956 Varn A01D 1/06
30/355
3,086,286 A * 4/1963 Faller A47J 17/04
30/123.7
3,618,208 A * 11/1971 Cronheim A47J 17/04
30/113.1
4,255,854 A * 3/1981 Bilbao B26B 27/00
30/114
D262,934 S * 2/1982 Gross D7/644
4,631,769 A 12/1986 White
D366,185 S * 1/1996 Lie D7/401.2
7,908,942 B1 3/2011 Mitchell

D888,517 S * 6/2020 Talbot D8/20
2001/0045016 A1* 11/2001 O'Brien A47J 17/04
30/147
2005/0252343 A1 11/2005 Turner
2012/0288601 A1* 11/2012 Wegwerth B26B 9/00
426/482

FOREIGN PATENT DOCUMENTS

DE 202004007201 U1 10/2004
EP 2923808 A1 9/2015

OTHER PUBLICATIONS

Dexter OUtdoors Scalloped Grapefruit Knife, Amazon.com ,
Reviewed , Jul. 2, 2019.*

* cited by examiner

Primary Examiner — Philip S Hyder
(74) *Attorney, Agent, or Firm* — John Brooks Law LLC;
John J. Brooks, III

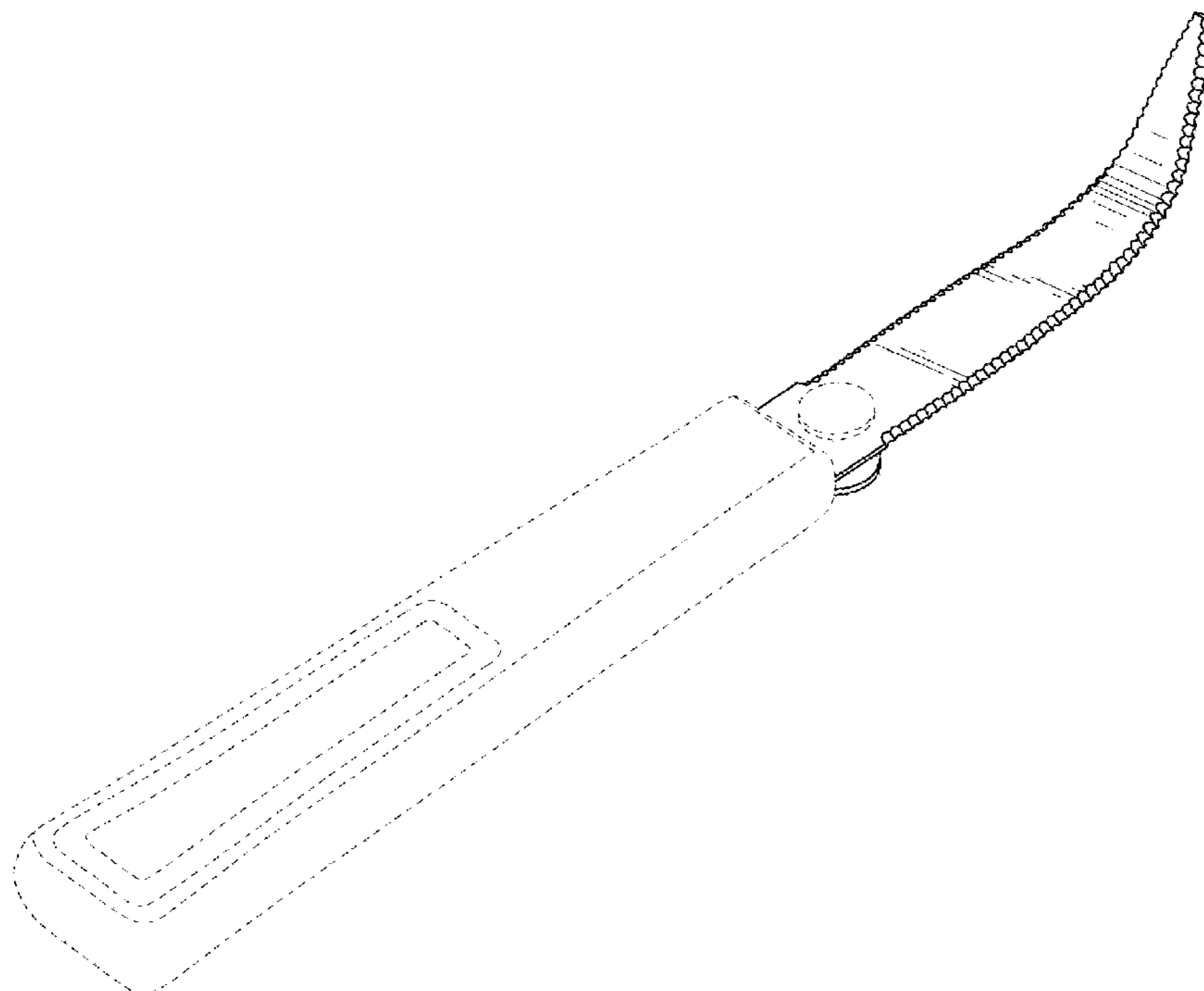
(57) **CLAIM**

I claim the ornamental design for a curved blade with
opener, as shown.

DESCRIPTION

FIG. 1 shows a top perspective view of a curved blade with
opener showing my new design;
FIG. 2 is a top plan view thereof;
FIG. 3 is a bottom plan view thereof;
FIG. 4 is a left side elevational view thereof;
FIG. 5 is a right side elevational view thereof;
FIG. 6 is a front elevational view thereof; and,
FIG. 7 is a rear elevational view thereof.

1 Claim, 4 Drawing Sheets



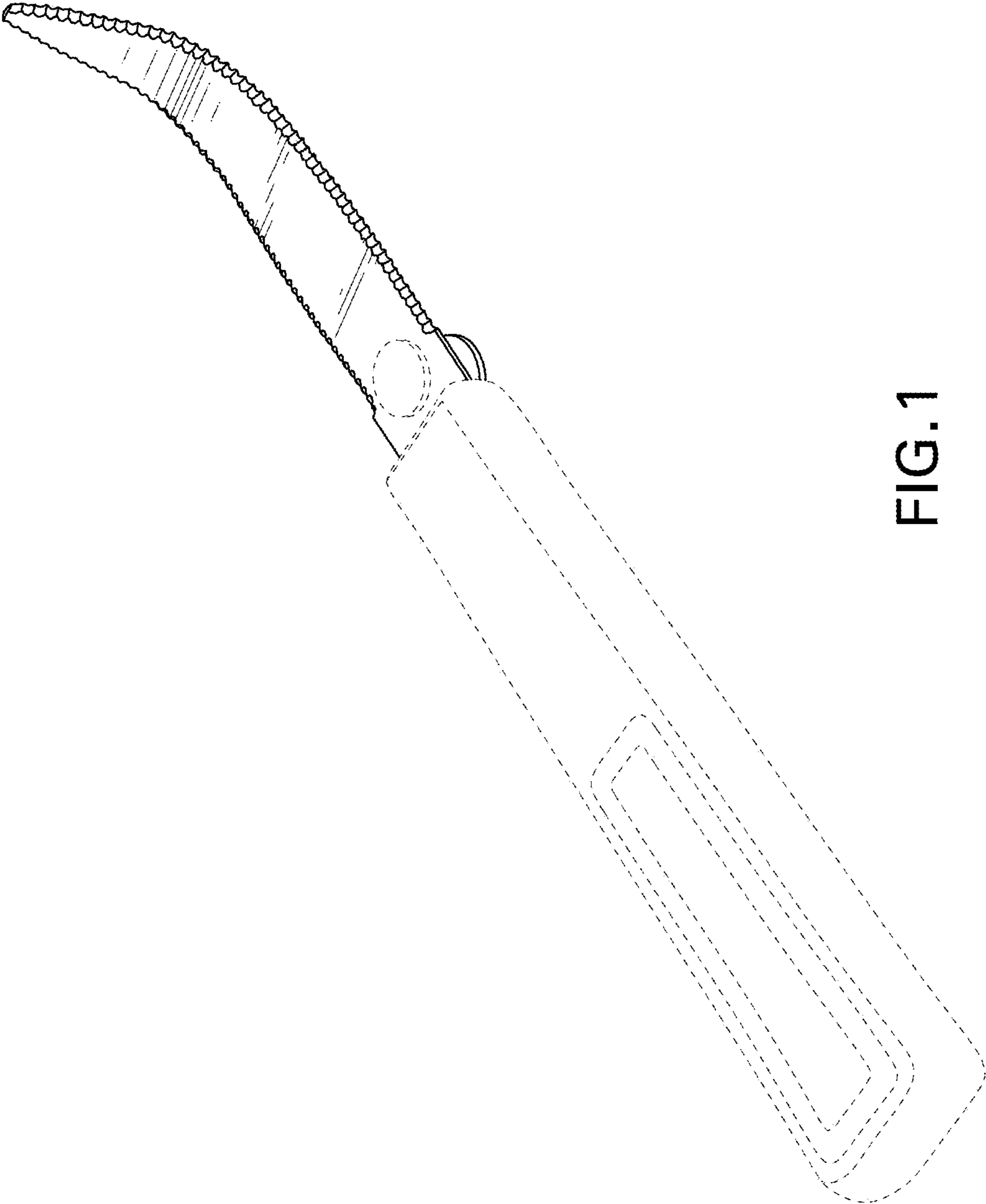


FIG. 1

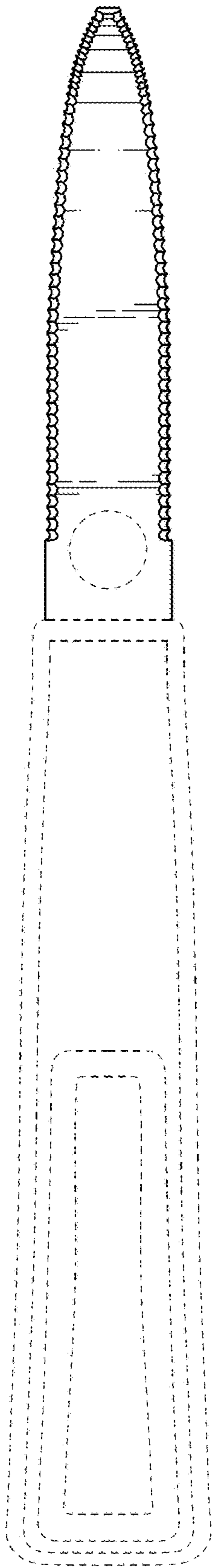


FIG. 2

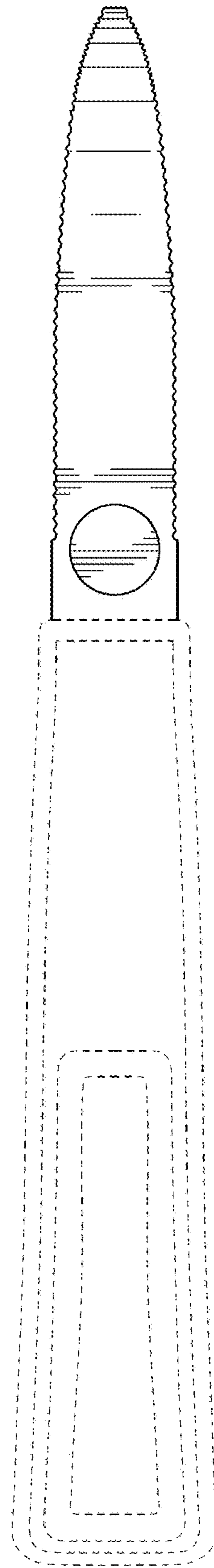


FIG. 3

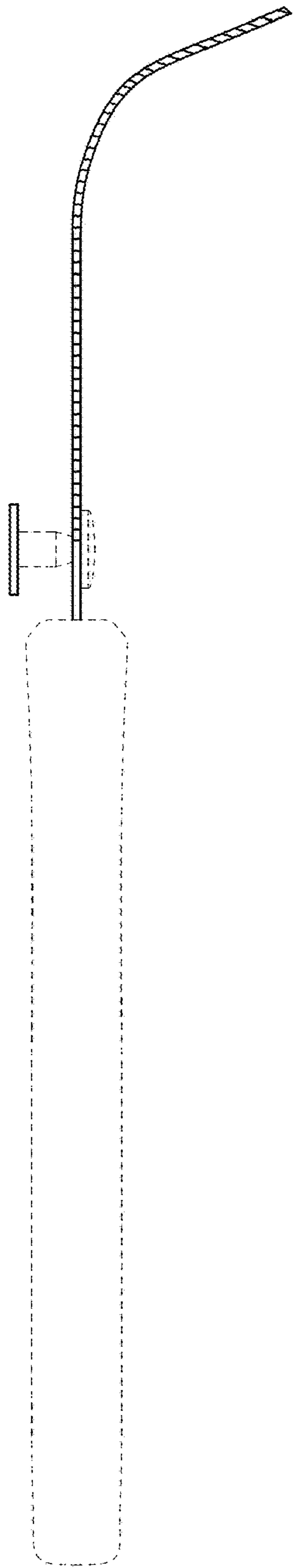


FIG. 4

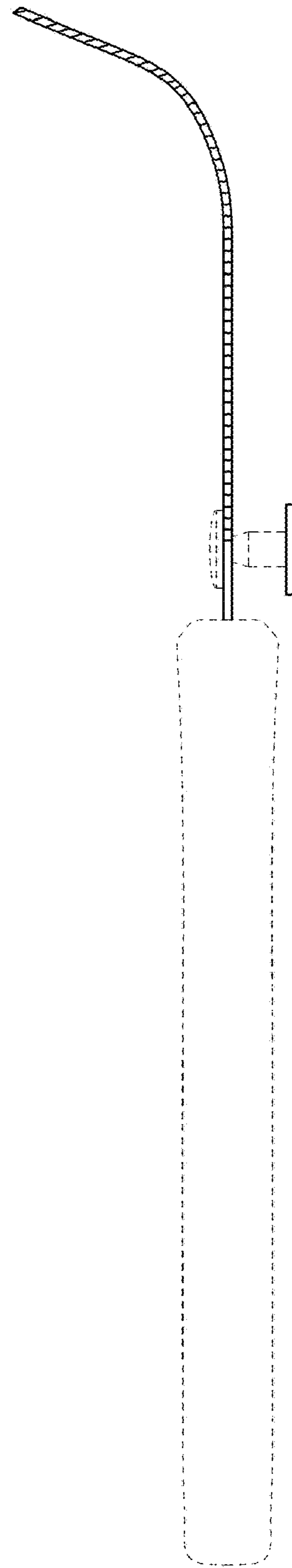


FIG. 5

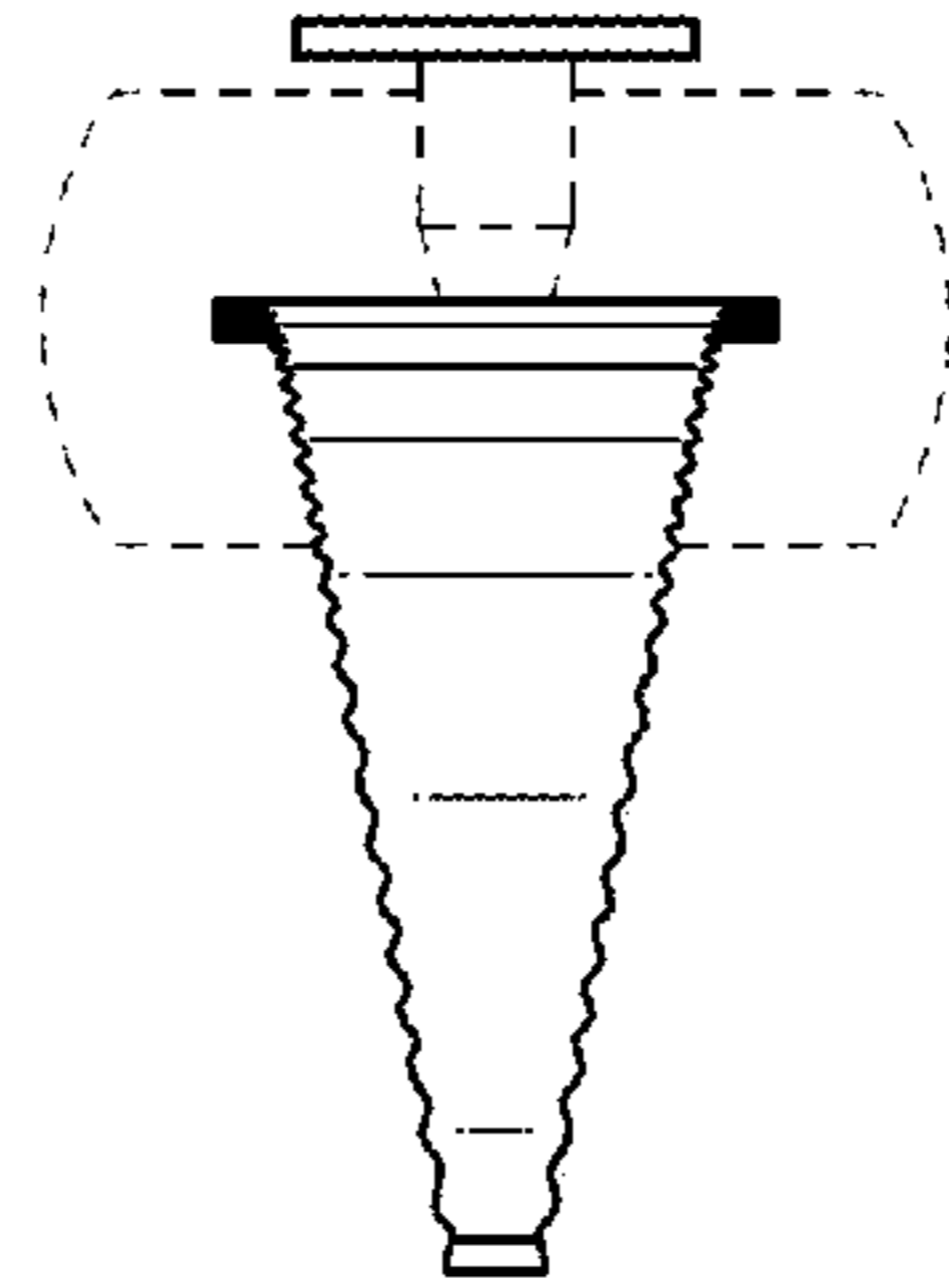


FIG. 6

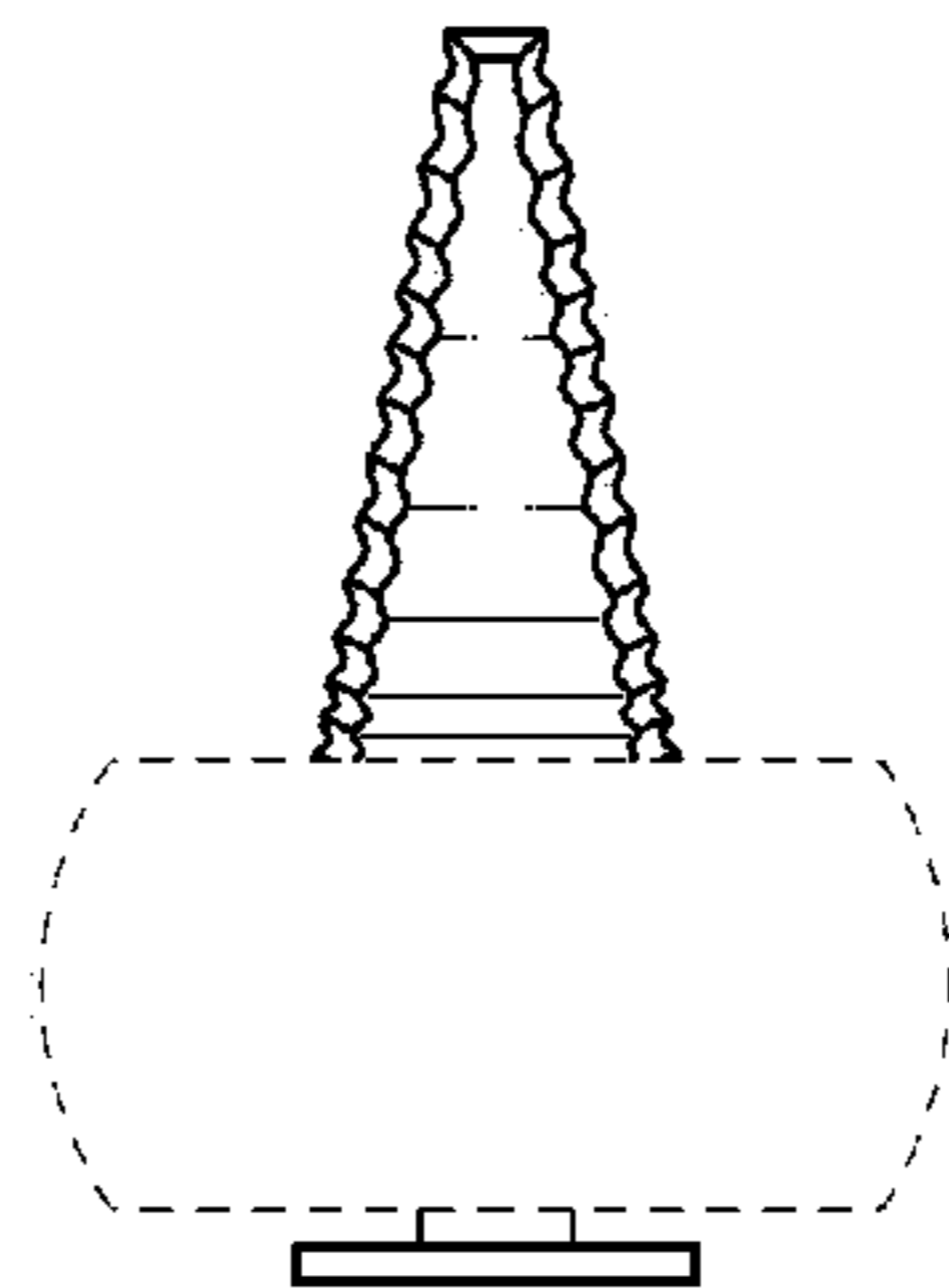


FIG. 7