



US00D951035S

(12) **United States Design Patent** (10) **Patent No.:** **US D951,035 S**
Maghsadi et al. (45) **Date of Patent:** **** May 10, 2022**

(54) **COOKING UTENSIL**

(71) Applicant: **Frontline Advance, LLC**, Southlake, TX (US)

(72) Inventors: **Alexander K. Maghsadi**, Lewisville, TX (US); **Eric H. Jan**, Lehi, UT (US)

(73) Assignee: **SOLO BRANDS, LLC**, Grapevine, TX (US)

(**) Term: **15 Years**

(21) Appl. No.: **29/727,315**

(22) Filed: **Mar. 10, 2020**

(51) **LOC (13) Cl.** **07-06**

(52) **U.S. Cl.**
USPC **D7/686**

(58) **Field of Classification Search**
USPC D7/213, 372, 412, 683, 686, 688, 689,
D7/691, 692, 693, 694, 695, 696
CPC A47J 43/282; A47J 43/288
See application file for complete search history.

(56) **References Cited**

U.S. PATENT DOCUMENTS

D428,383 S *	7/2000	Ozark	D12/419
D534,224 S *	12/2006	Sutton	D21/604
D612,106 S *	3/2010	Tai	D30/118
D641,258 S *	7/2011	Wilson	D9/751
D641,259 S *	7/2011	Wilson	D9/751
D789,162 S *	6/2017	Almaguer	D7/701

(Continued)

OTHER PUBLICATIONS

Amazon website, Solo Stove Heavy Duty Grill Tools, Earliest review date Apr. 6, 2021, [site visited Aug. 11, 2021], Available on the Internet URL <https://www.amazon.com/Solo-Stove-Stainless-Accessories-Barbecue/dp/B08SYYQHC8> (Year: 2021).*

Primary Examiner — Karen S Acker

Assistant Examiner — Steven B Reinholdt, Jr.

(74) *Attorney, Agent, or Firm* — Haynes and Boone, LLP

(57) **CLAIM**

The ornamental design for a cooking utensil, as shown and described.

DESCRIPTION

This application is related to U.S. application Ser. No. 29/727,324, filed Mar. 10, 2020, the entire disclosure of which is hereby incorporated herein by reference.

This application is also related to U.S. application Ser. No. 29/727,321, filed Mar. 10, 2020, the entire disclosure of which is hereby incorporated herein by reference.

This application is also related to U.S. application Ser. No. 29/727,308, filed Mar. 10, 2020, the entire disclosure of which is hereby incorporated herein by reference.

FIG. 1 is a front perspective view of a cooking utensil showing our new design according to a first embodiment; FIG. 2 is a top view of the first embodiment; FIG. 3 is a bottom view of the first embodiment; FIG. 4 is a right side view of the first embodiment; FIG. 5 is a left side view of the first embodiment; FIG. 6 is a front view of the first embodiment shown at a larger scale;

FIG. 7 is a rear view of the first embodiment shown at a larger scale; and

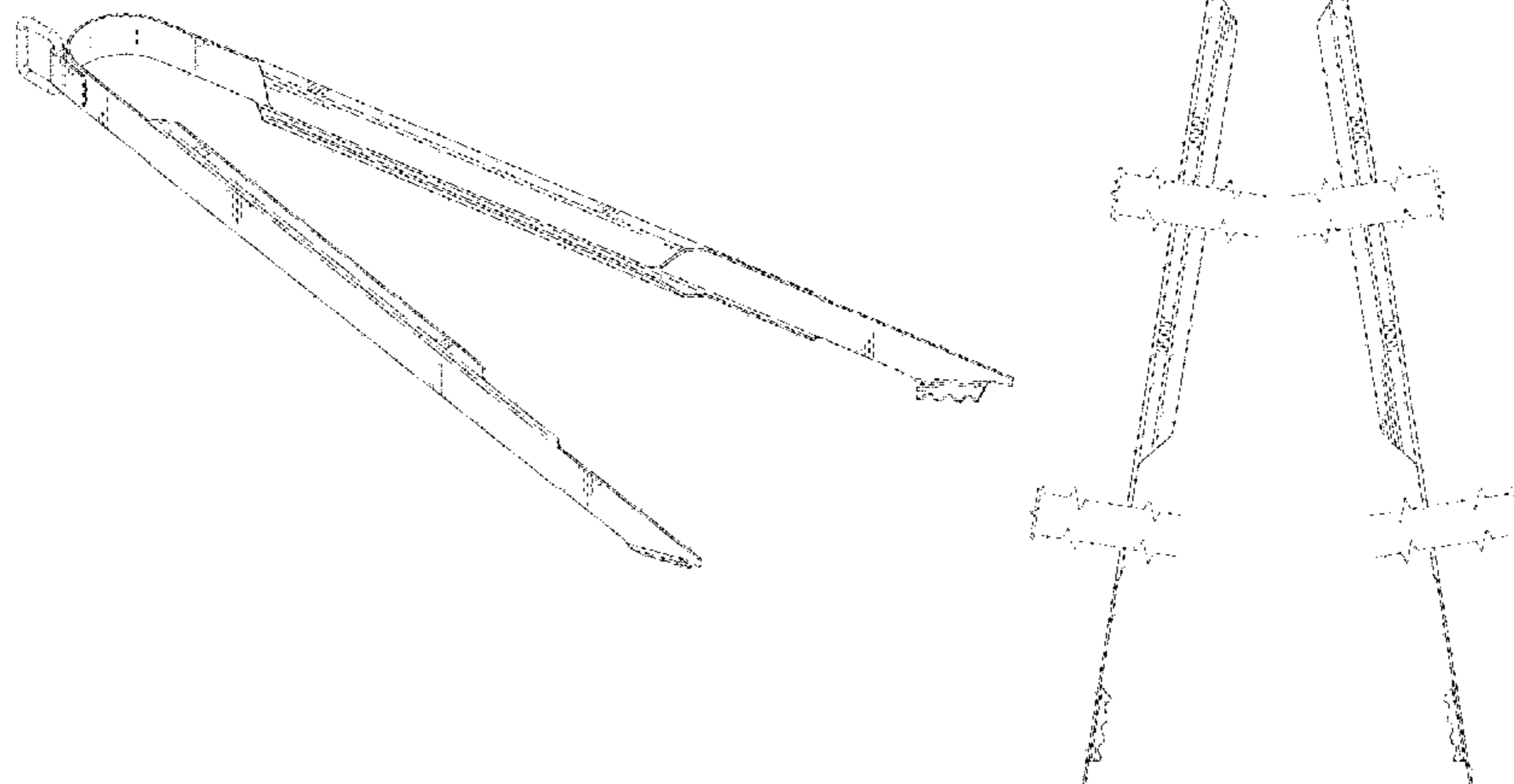
FIG. 8 is a rear perspective view of the first embodiment; and,

FIG. 9 is a top view of the cooking utensil showing our new design according to a second embodiment.

The broken lines shown in FIGS. 1-9 depict portions of the cooking utensil that form no part of the claimed design.

In FIG. 9, the second embodiment of the cooking utensil is shown with four (4) sets of break lines; neither the break lines nor the appearance of any portion of the second embodiment of the cooking utensil between each set of the break lines forms part of the claimed design.

1 Claim, 7 Drawing Sheets



(56)

References Cited

U.S. PATENT DOCUMENTS

D804,261 S * 12/2017 Almaguer D7/701
D848,225 S * 5/2019 Zhang D7/625
D867,967 S * 11/2019 Champney D12/221
2012/0289116 A1* 11/2012 Beuerle A63H 3/003
446/72

* cited by examiner

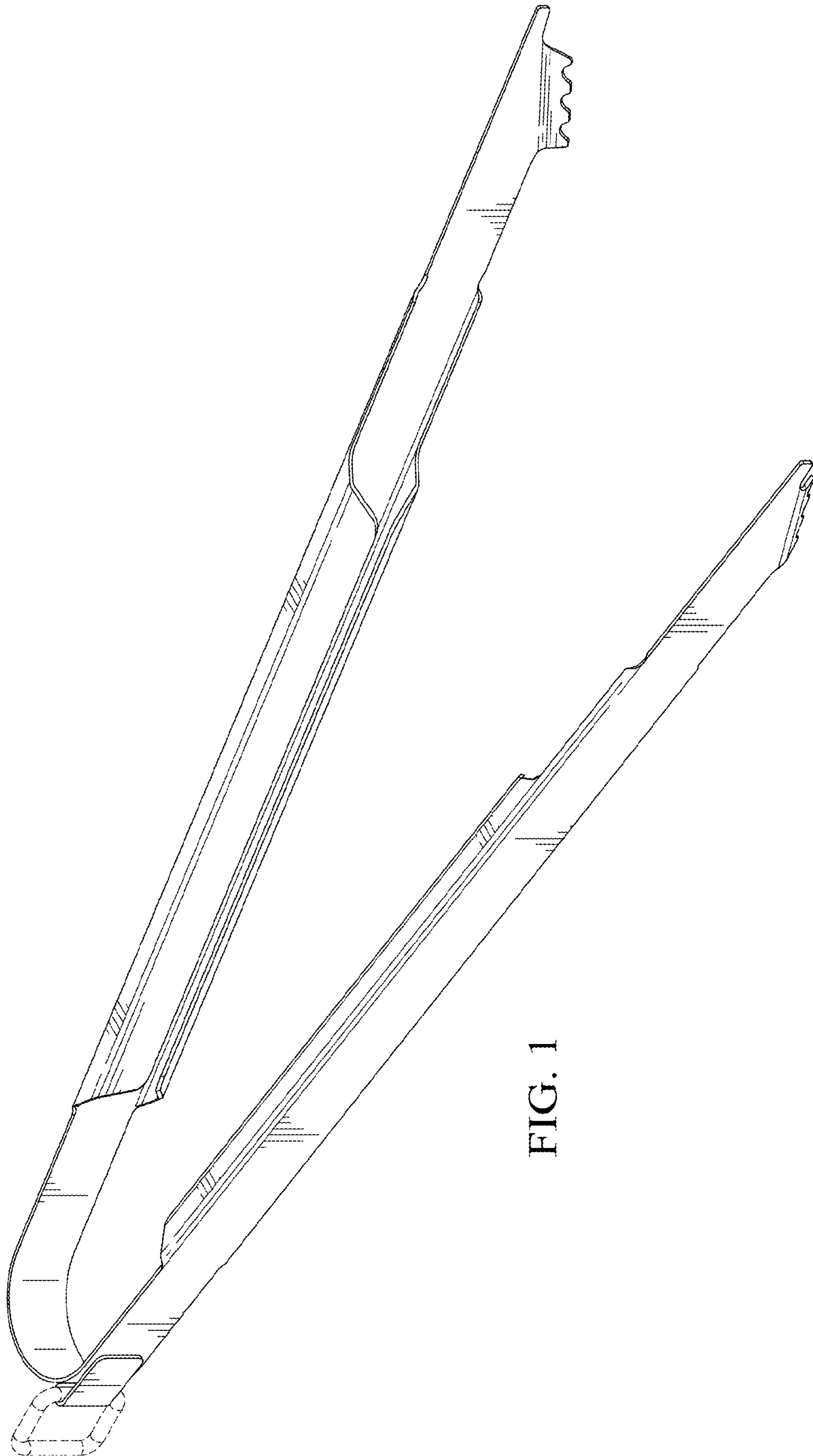


FIG. 1

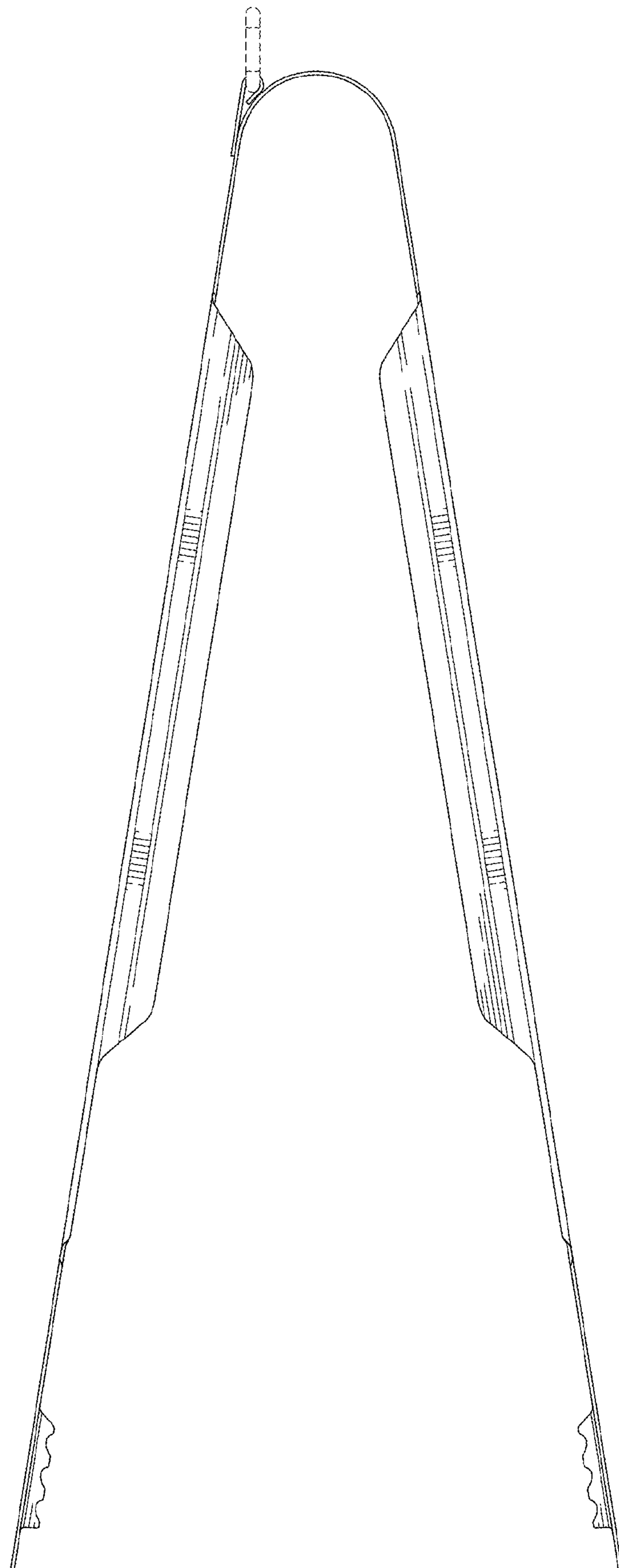


FIG. 2

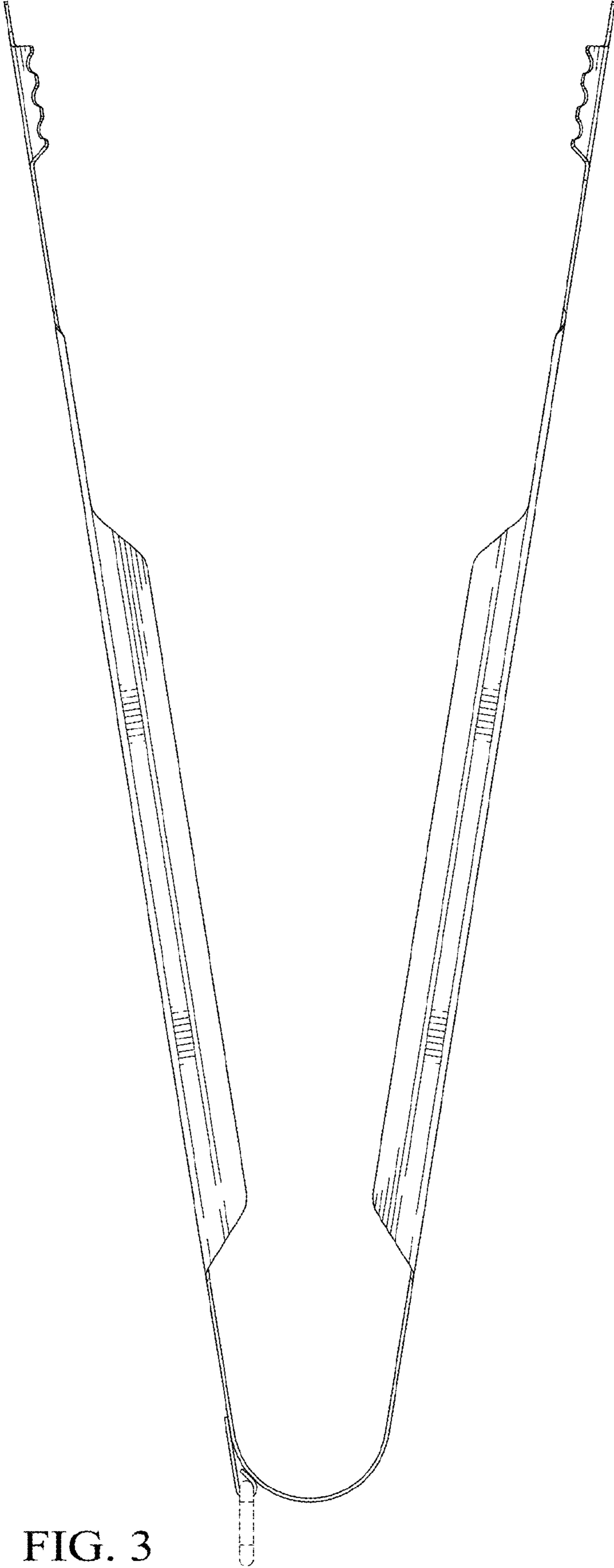


FIG. 3

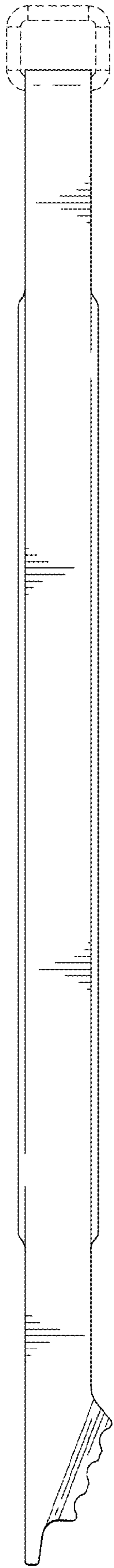


FIG. 4

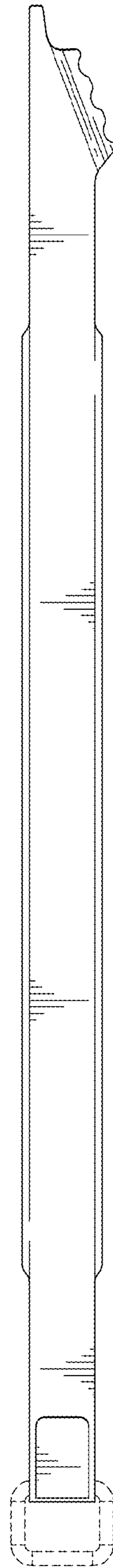


FIG. 5

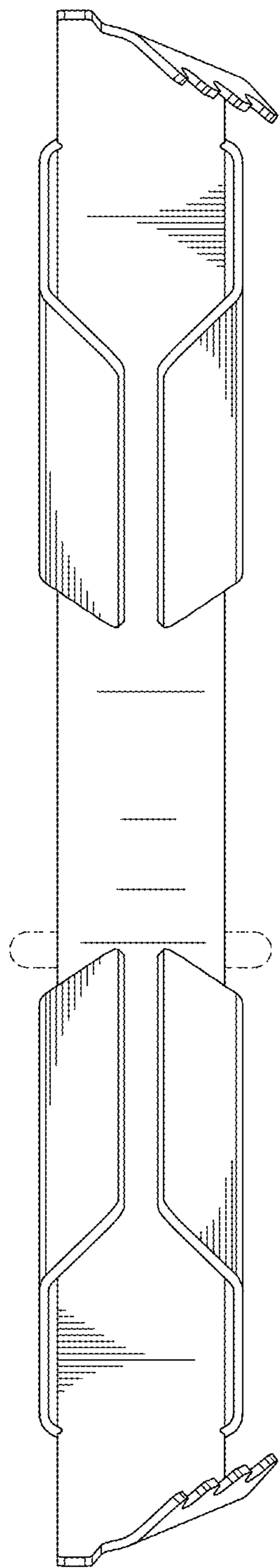


FIG. 6

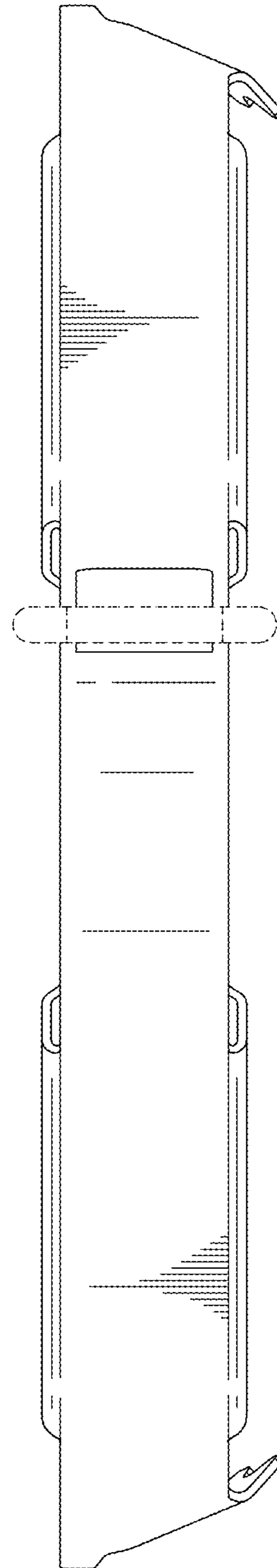


FIG. 7

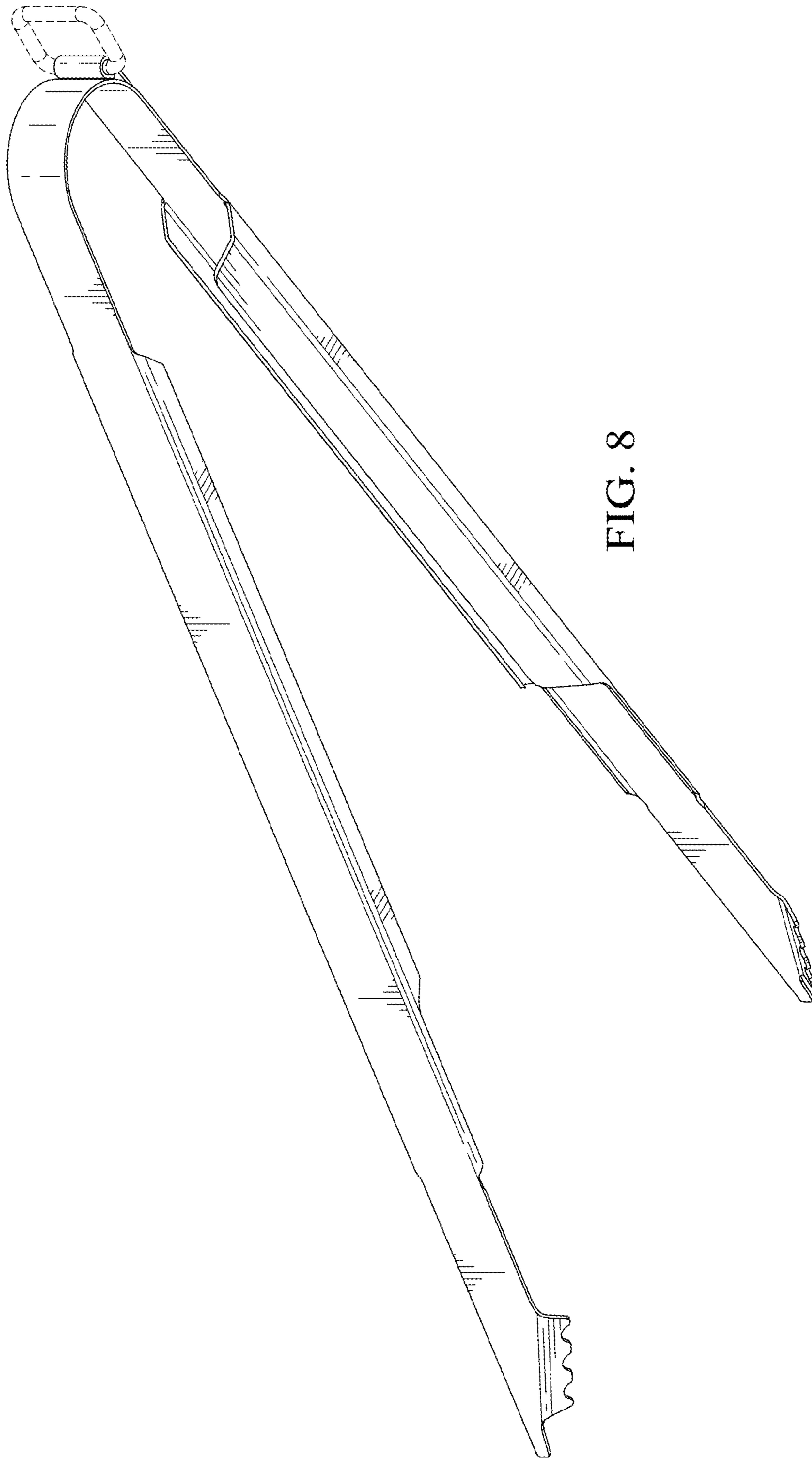


FIG. 8

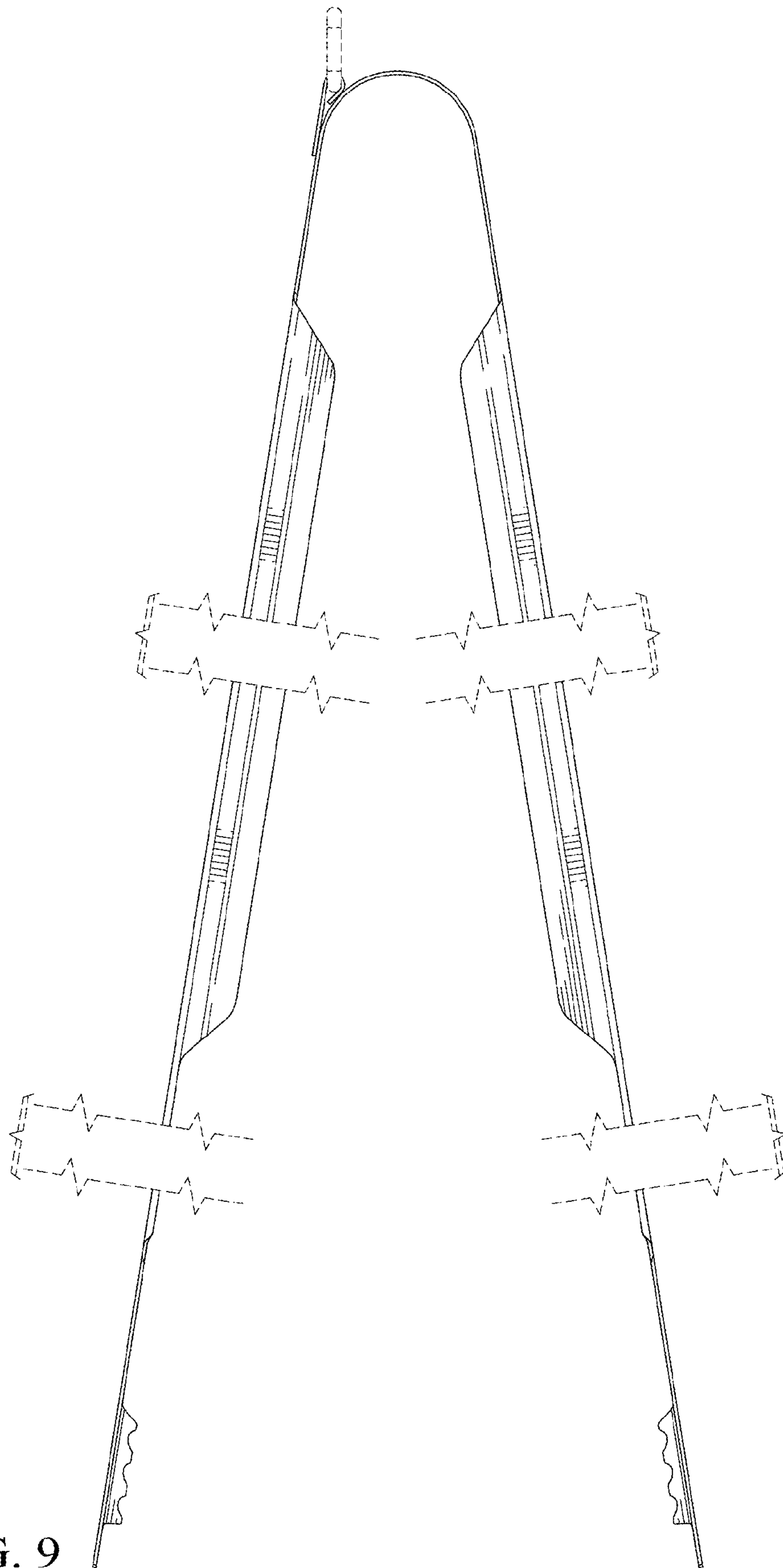


FIG. 9