



US00D951034S

(12) **United States Design Patent** (10) **Patent No.:** **US D951,034 S**
Fu (45) **Date of Patent:** **** May 10, 2022**

(54) **VEGETABLE SLICER**
(71) Applicant: **Shenzhen Development Business Trading Co., Ltd., Shenzhen (CN)**
(72) Inventor: **Zibin Fu, Shenzhen (CN)**
(**) Term: **15 Years**
(21) Appl. No.: **29/787,392**
(22) Filed: **Jun. 7, 2021**
(51) **LOC (13) Cl.** **07-04**
(52) **U.S. Cl.**
USPC **D7/674**
(58) **Field of Classification Search**
USPC D7/672-674, 678, 693, 384, 412
CPC B26D 3/185; B26D 3/26; B26D 3/283;
B26D 1/30
See application file for complete search history.

D873,627 S * 1/2020 Chen D7/672
D896,595 S * 9/2020 Hiltenbrand
D929,825 S * 9/2021 Lu D7/678
D931,692 S * 9/2021 Lu D7/678
D935,831 S * 11/2021 Lu D7/372
2015/0345200 A1* 12/2015 Repac B26D 3/185
241/84.3
2016/0302620 A1* 10/2016 Repac B26D 3/185

OTHER PUBLICATIONS

Brieftons Quickpush Food Chopper, Oct. 14, 2019, Amazon, <https://www.amazon.com/Brieftons-QuickPush-Chopper-Extra-Large-Vegetables/dp/B07Z32XV3W> (Year: 2019).*

(Continued)

Primary Examiner — Brett Miller

(74) *Attorney, Agent, or Firm* — Rumit Ranjit Kanakia

(57) **CLAIM**

The ornamental design for a vegetable slicer, as shown and described.

DESCRIPTION

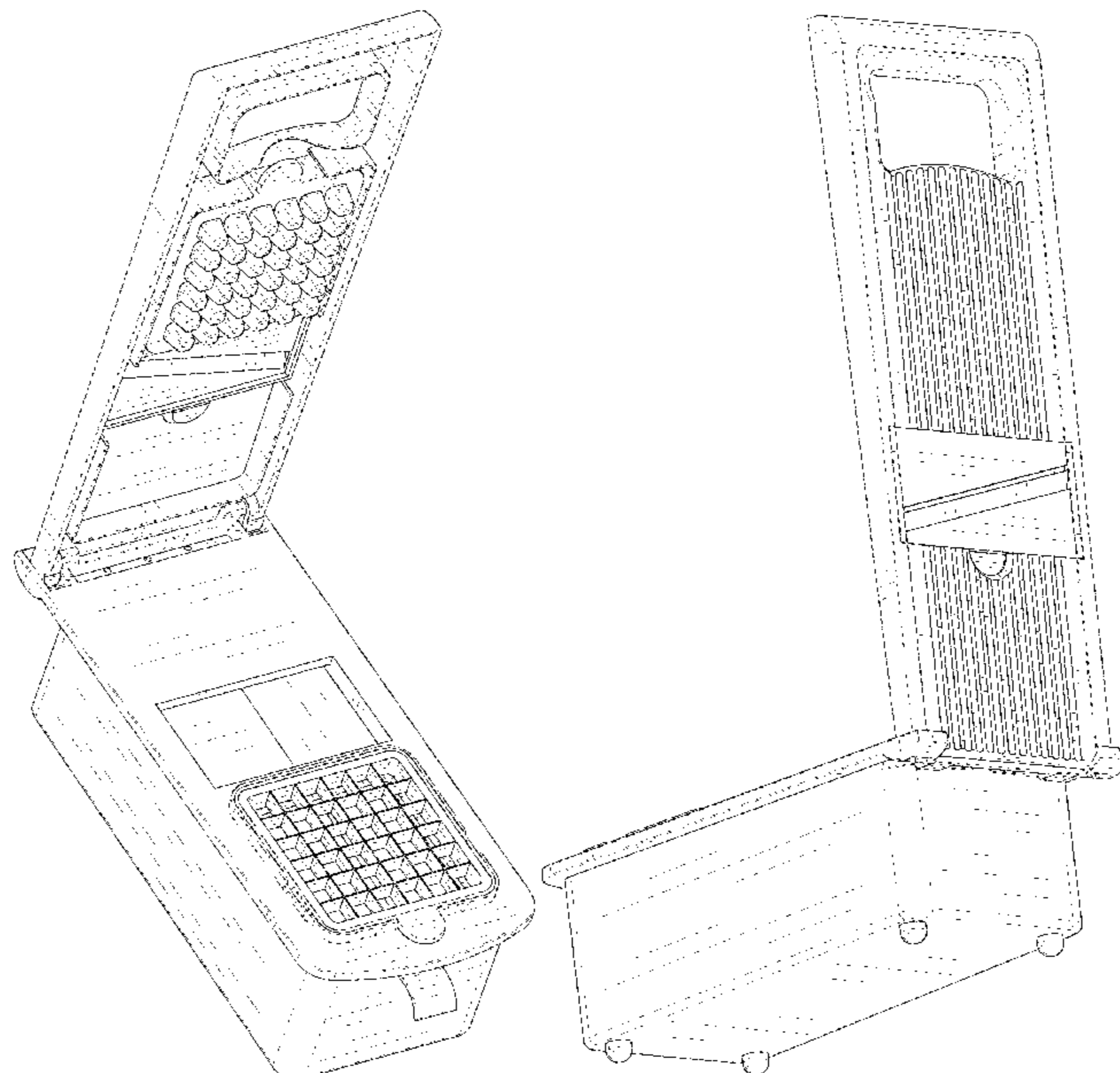
FIG. 1 is a front elevational view of a vegetable slicer showing my new design;
FIG. 2 is a rear elevational view thereof; and
FIG. 3 is a left side view thereof;
FIG. 4 is a right side view thereof;
FIG. 5 is a top plan view thereof;
FIG. 6 is a bottom plan view thereof;
FIG. 7 is a perspective view of a vegetable slicer showing my new design;
FIG. 8 is another perspective view thereof; and,
FIG. 9 is a partial enlarged view of FIG. 5.
The broken lines in the figures are for the purposes of illustrating portions of the vegetable slicer, which form no part of the claimed design.

(56) **References Cited**

U.S. PATENT DOCUMENTS

D330,316 S * 10/1992 So D7/678
D548,025 S * 8/2007 Kaposi D7/672
D578,838 S * 10/2008 Hood D7/678
D618,517 S * 6/2010 Wong D7/672
D680,392 S 4/2013 Dichraff
D680,822 S 4/2013 Dichraff
D729,595 S * 5/2015 Hauser D7/693
D730,704 S * 6/2015 Repac D7/672
D770,868 S * 11/2016 Repac D7/672
D773,905 S 12/2016 Dichraff
D776,495 S * 1/2017 Repac D7/672
D793,179 S 8/2017 Exley
D812,997 S 3/2018 Cabrita
D823,075 S * 7/2018 Repac D7/672
D826,654 S 8/2018 Chang
D859,094 S 9/2019 Umholtz
D859,095 S 9/2019 Umholtz
D859,096 S 9/2019 Umholtz

1 Claim, 9 Drawing Sheets



(56)

References Cited

OTHER PUBLICATIONS

Fullstar Vegetable Chopper, Nov. 21, 2017, Amazon, <https://www.amazon.com/Vegetable-Chopper-Spiralizer-Slicer-Choppers/dp/B0764HS4SL> (Year: 2017).*

Chugod, Vegetable Slicer Dicer, Dec. 19, 2016, Amazon, <https://www.amazon.com/Vegetable-Slicer-WEINAS-Chopper-Cutter/dp/B01N5H1QD2> (Year: 2016).*

OXO Good Grips Vegetable and Onion Chopper, Feb. 8, 2016, Amazon, <https://www.amazon.com/OXO-Grips-Vegetable-Chopper-Opening/dp/B01BKWJ86I> (Year: 2016).*

Mangetal, Mandolin Vegetable Slicer, Jun. 12, 2018, Amazon, <https://www.amazon.com/Mandolin-Vegetable-Multi-function-Chopper-Cucumber/dp/B07DP1P7FX/> (Year: 2018).*

GIB cleaningtool, Vegetable Chopper, Dec. 5, 2019, Amazon, <https://www.amazon.com/Vegetable-Mandoline-Interchangeable-Colander-Container/dp/B082DWDP8Y> (Year: 2019).*

* cited by examiner

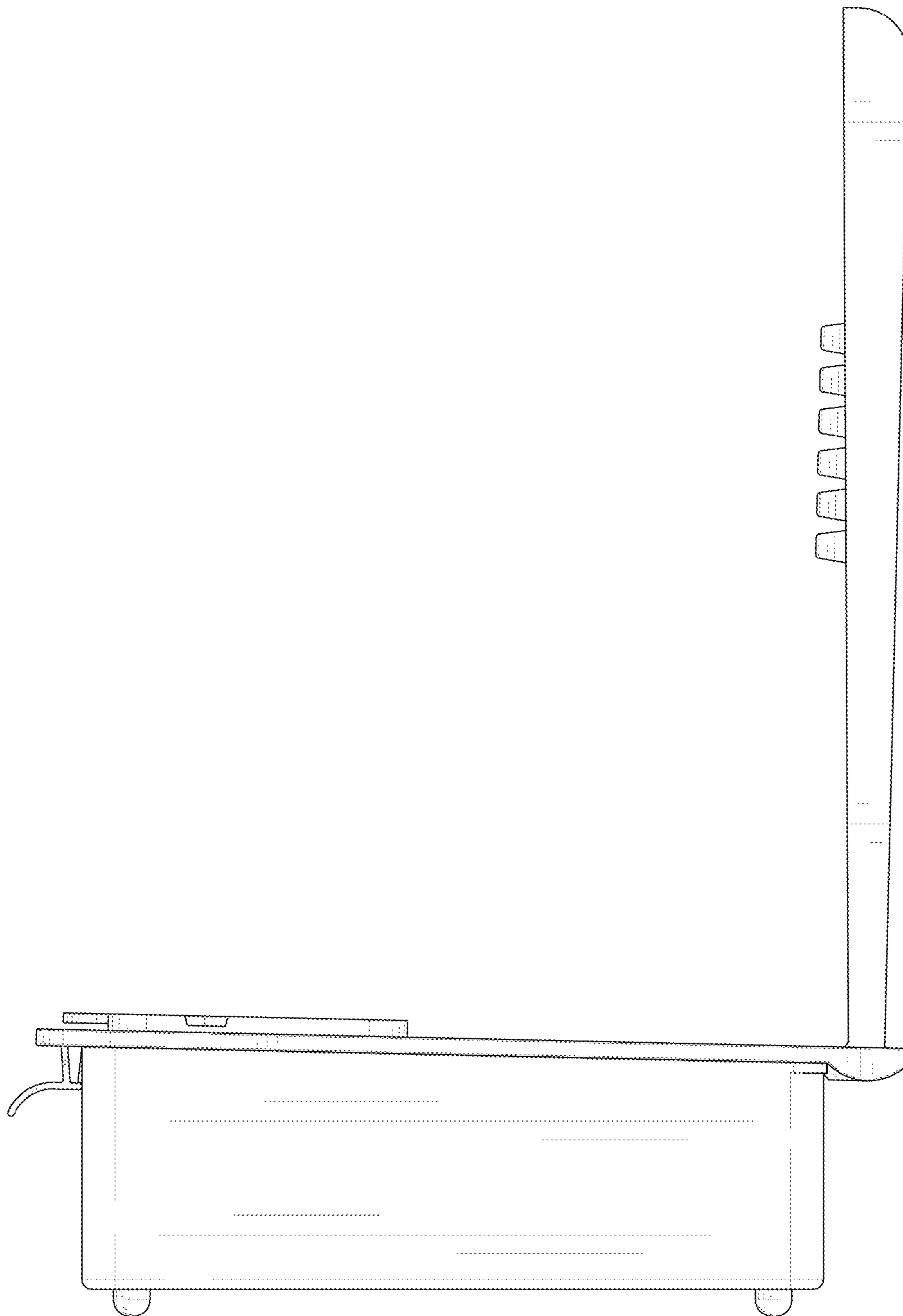


FIG. 1

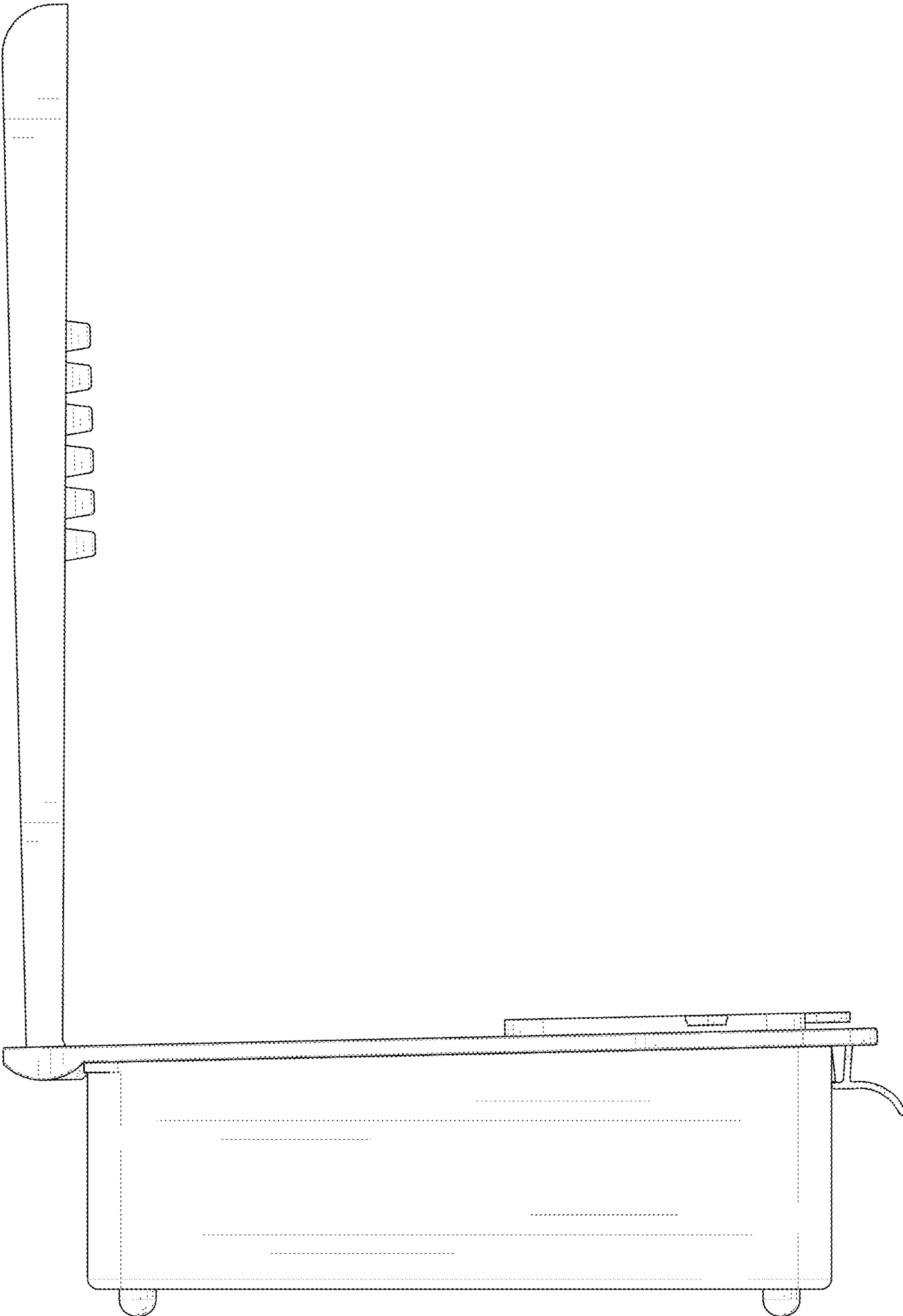


FIG. 2

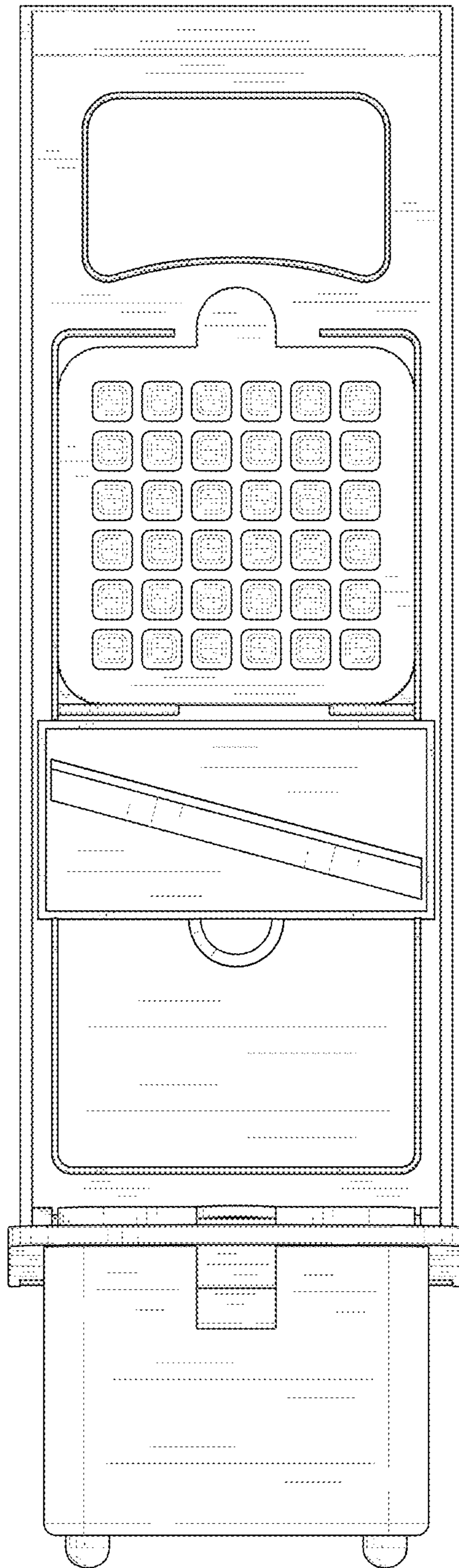


FIG. 3

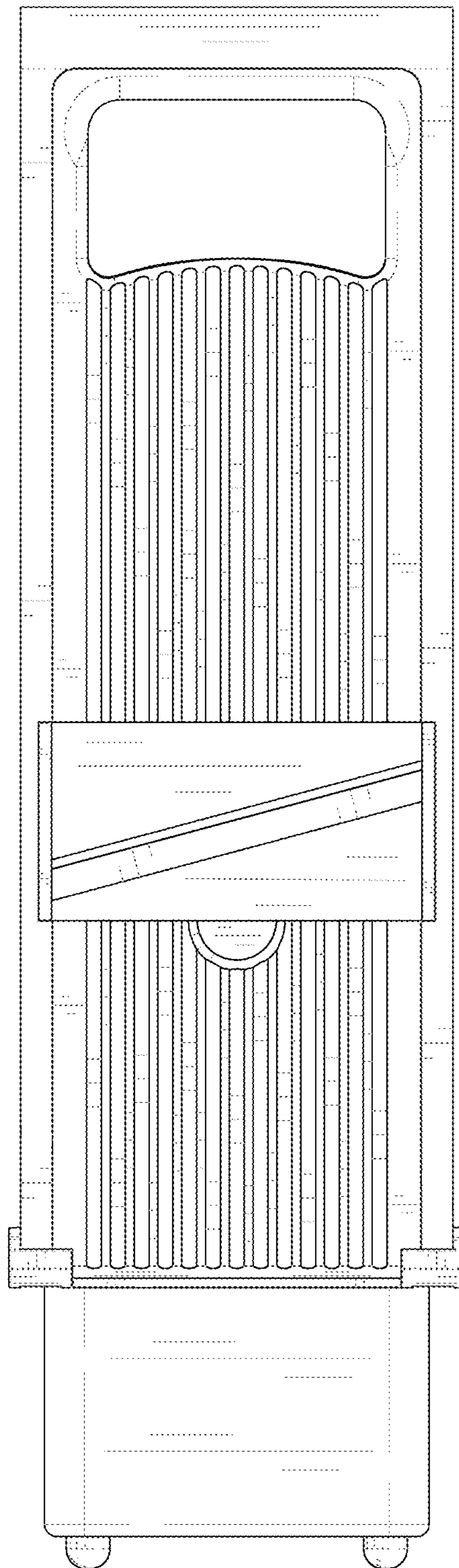


FIG. 4

FIG. 9

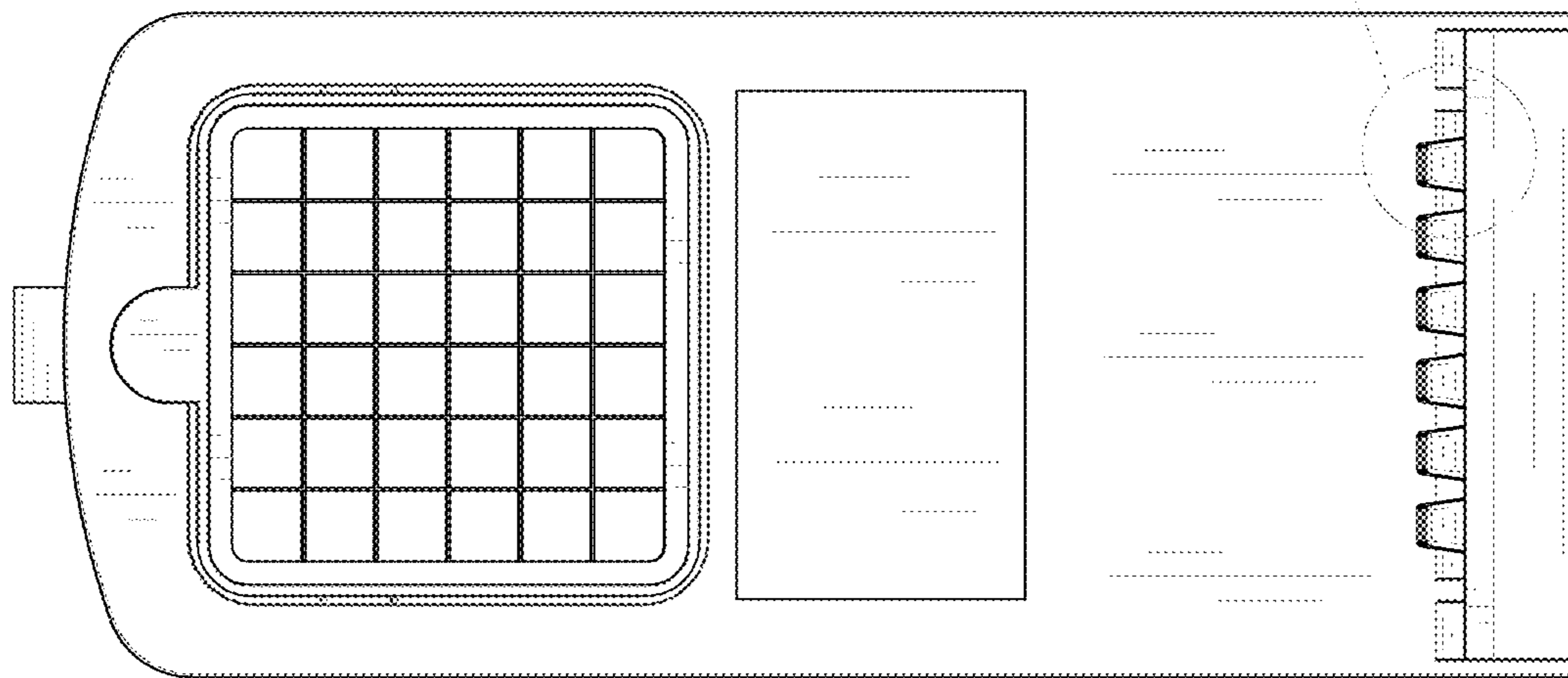


FIG. 5

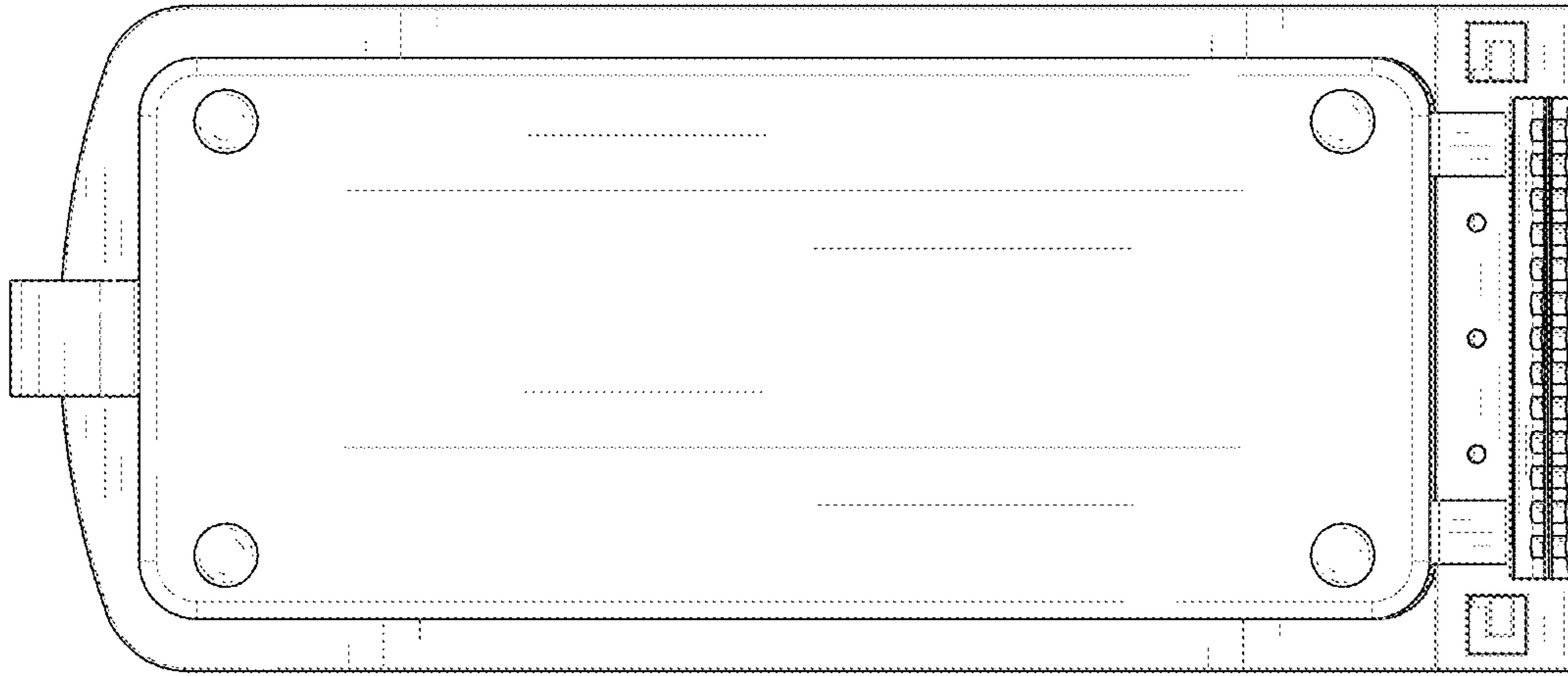


FIG. 6

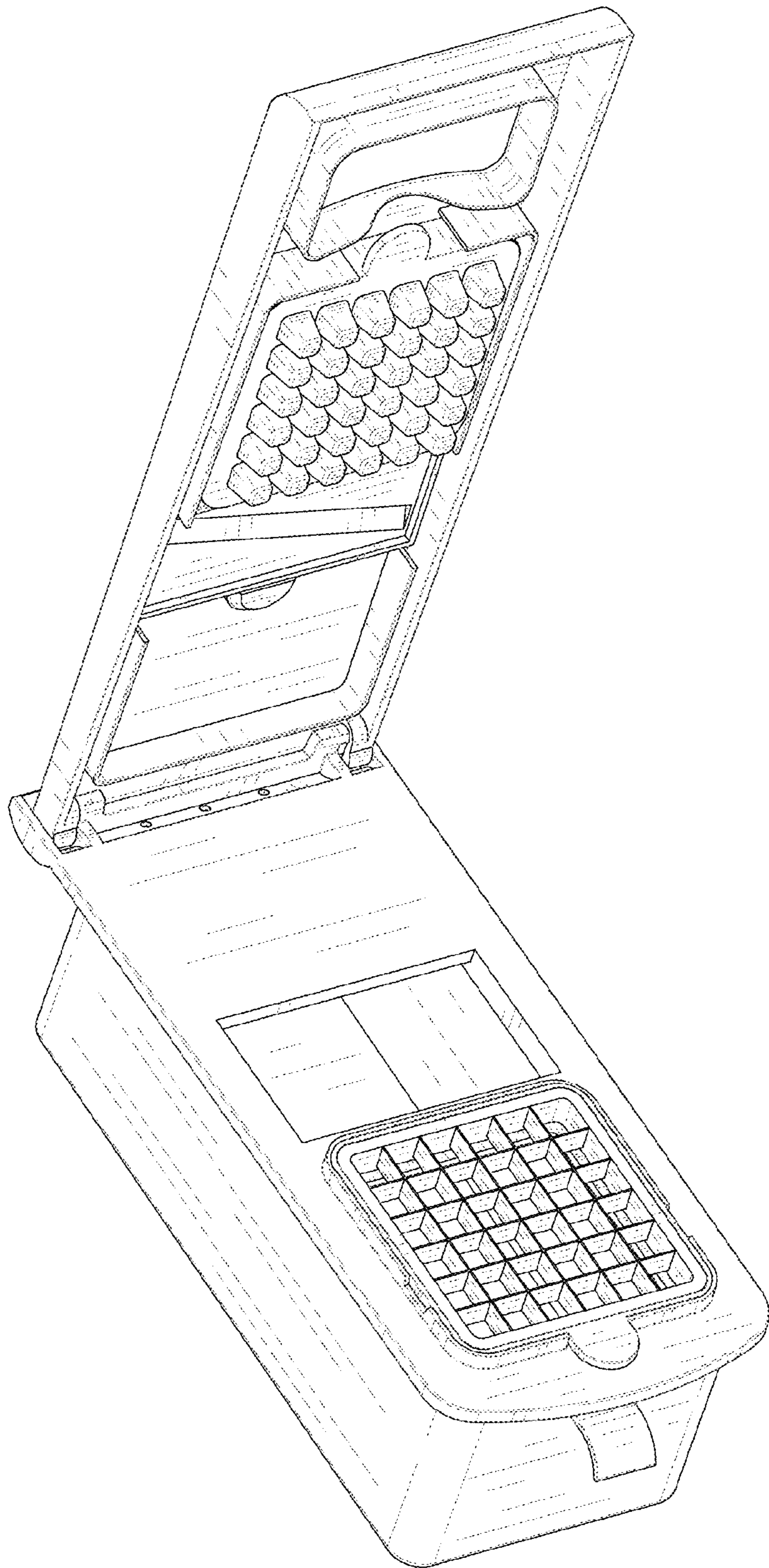


FIG. 7

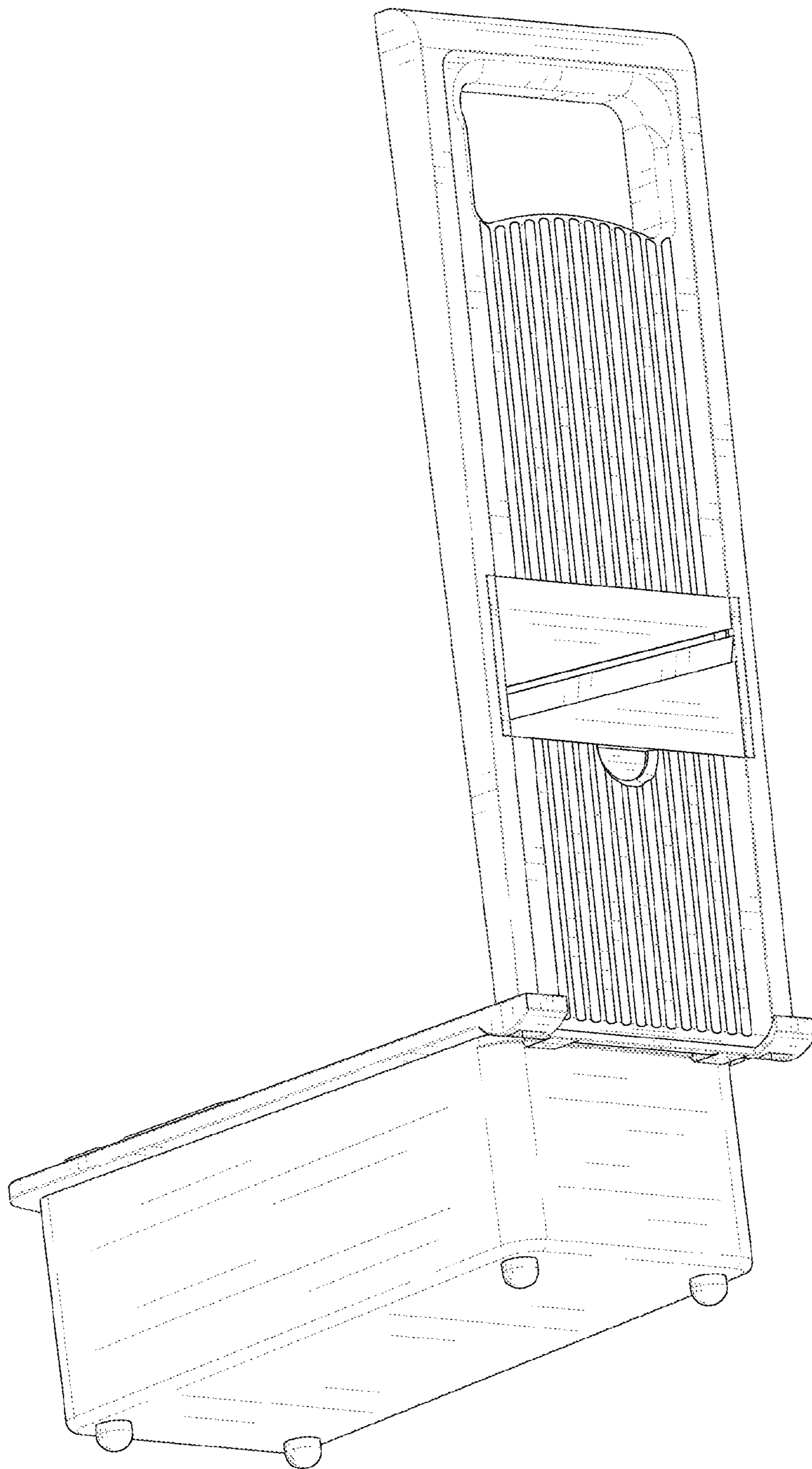


FIG. 8

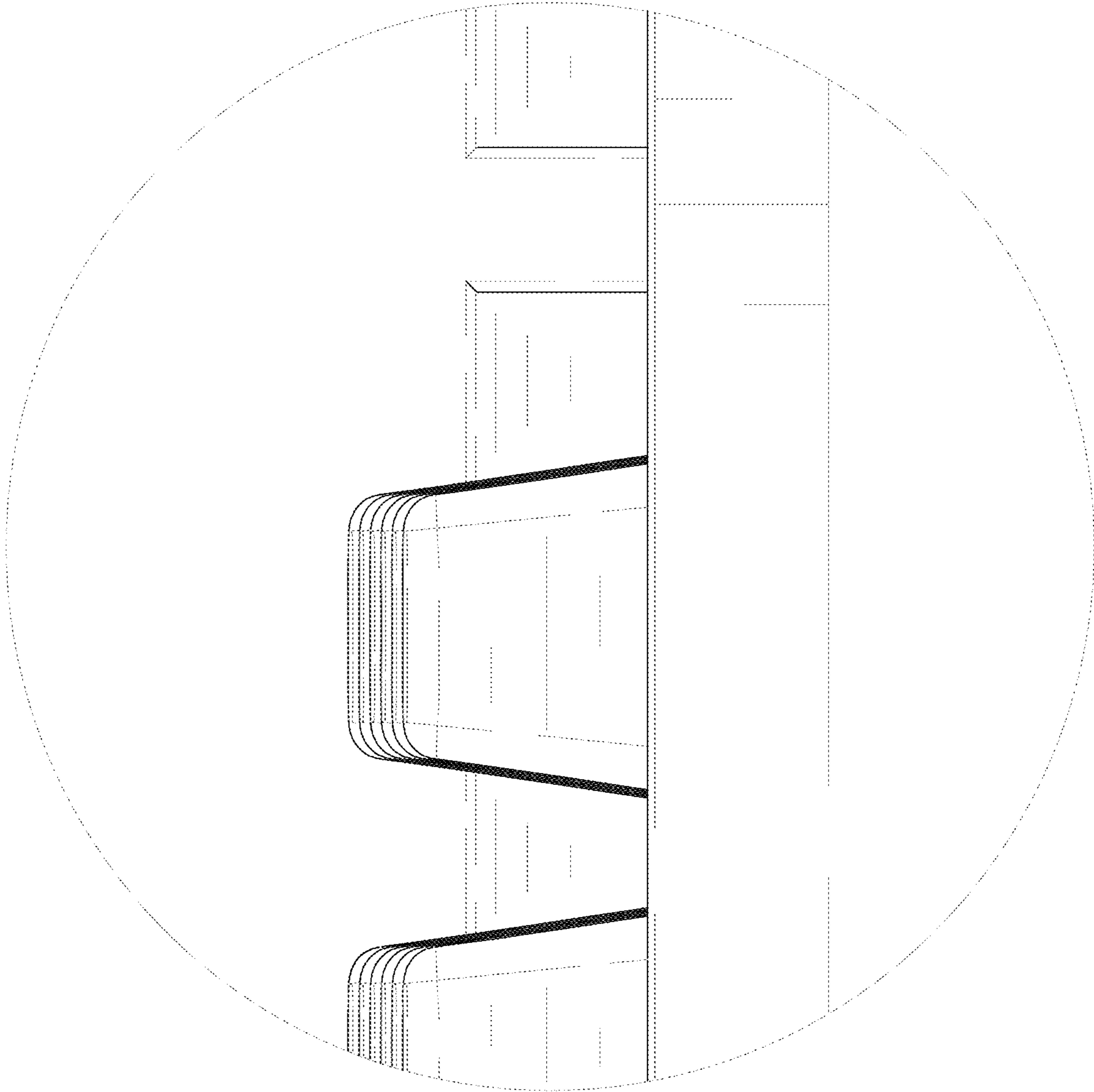


FIG.9