



US00D951033S

(12) **United States Design Patent**  
**Chen**

(10) **Patent No.:** **US D951,033 S**

(45) **Date of Patent:** **\*\* May 10, 2022**

(54) **MANDOLINE**

(71) Applicant: **Shuangma Plastic Manufacturing Inc., Zhejiang (CN)**

(72) Inventor: **Cuihong Chen, Zhejiang (CN)**

(\*\*) Term: **15 Years**

(21) Appl. No.: **29/774,440**

(22) Filed: **Mar. 17, 2021**

(30) **Foreign Application Priority Data**

Jan. 27, 2021 (CN) ..... 202130057746.7

(51) **LOC (13) Cl.** ..... **07-04**

(52) **U.S. Cl.**  
USPC ..... **D7/673; D7/693**

(58) **Field of Classification Search**  
USPC ..... D7/672-678, 381, 679, 372, 384, 693,  
D7/412, 383  
CPC ..... A47J 43/255; A47J 43/25; A47J 17/02;  
B26D 3/283  
See application file for complete search history.

(56) **References Cited**

**U.S. PATENT DOCUMENTS**

- 4,884,755 A \* 12/1989 Hedrington ..... A47J 43/255  
241/293
- D348,177 S \* 6/1994 Kelly ..... D7/381
- D495,218 S \* 8/2004 Yu
- D641,596 S \* 7/2011 Chan ..... D7/693
- D650,642 S 12/2011 Fung

- D680,392 S \* 4/2013 Dichraff ..... D7/381
- D812,962 S \* 3/2018 Davies ..... D7/381
- D881,637 S \* 4/2020 Ye ..... D7/384
- D881,660 S 4/2020 Hollinger
- D887,794 S \* 6/2020 Jin ..... D7/673
- 2014/0158800 A1\* 6/2014 Bordes ..... A47J 43/255  
241/278.2

**FOREIGN PATENT DOCUMENTS**

GB 8204552000-1000 \* 9/2019

\* cited by examiner

*Primary Examiner* — Brett Miller

(74) *Attorney, Agent, or Firm* — Prakash Nama; Global IP Services, PLLC

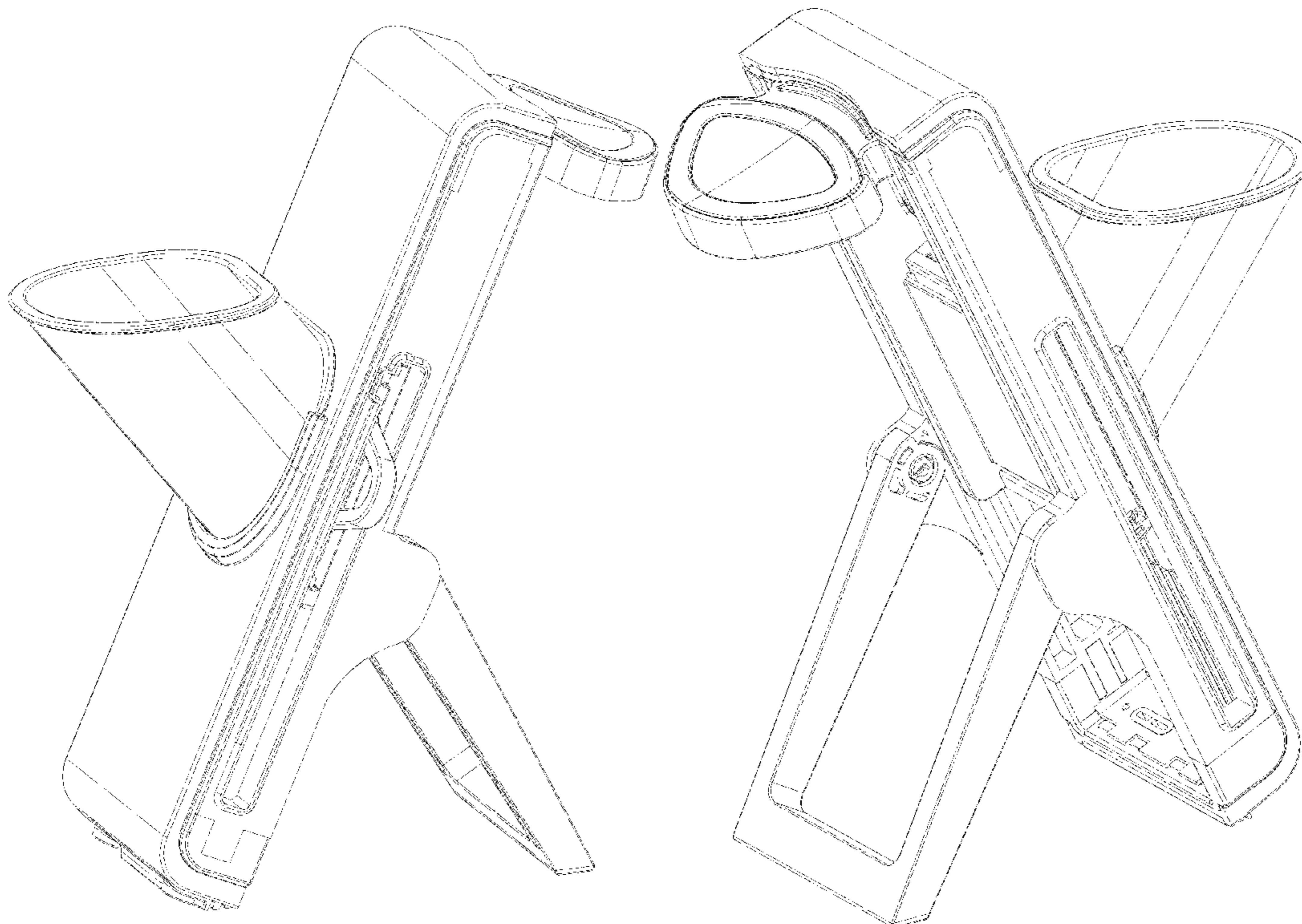
(57) **CLAIM**

The ornamental design for a mandoline, as shown.

**DESCRIPTION**

FIG. 1 is a front elevational view of a mandoline showing my new design;  
 FIG. 2 is a rear elevational view thereof;  
 FIG. 3 is a left side view thereof;  
 FIG. 4 is a right side view thereof;  
 FIG. 5 is a top plan view thereof;  
 FIG. 6 is a bottom plan view thereof;  
 FIG. 7 is a perspective view thereof;  
 FIG. 8 is a second perspective view thereof;  
 FIG. 9 is a third perspective view thereof;  
 FIG. 10 is a fourth perspective view thereof; and,  
 FIG. 11 is a fifth perspective view thereof.

**1 Claim, 11 Drawing Sheets**



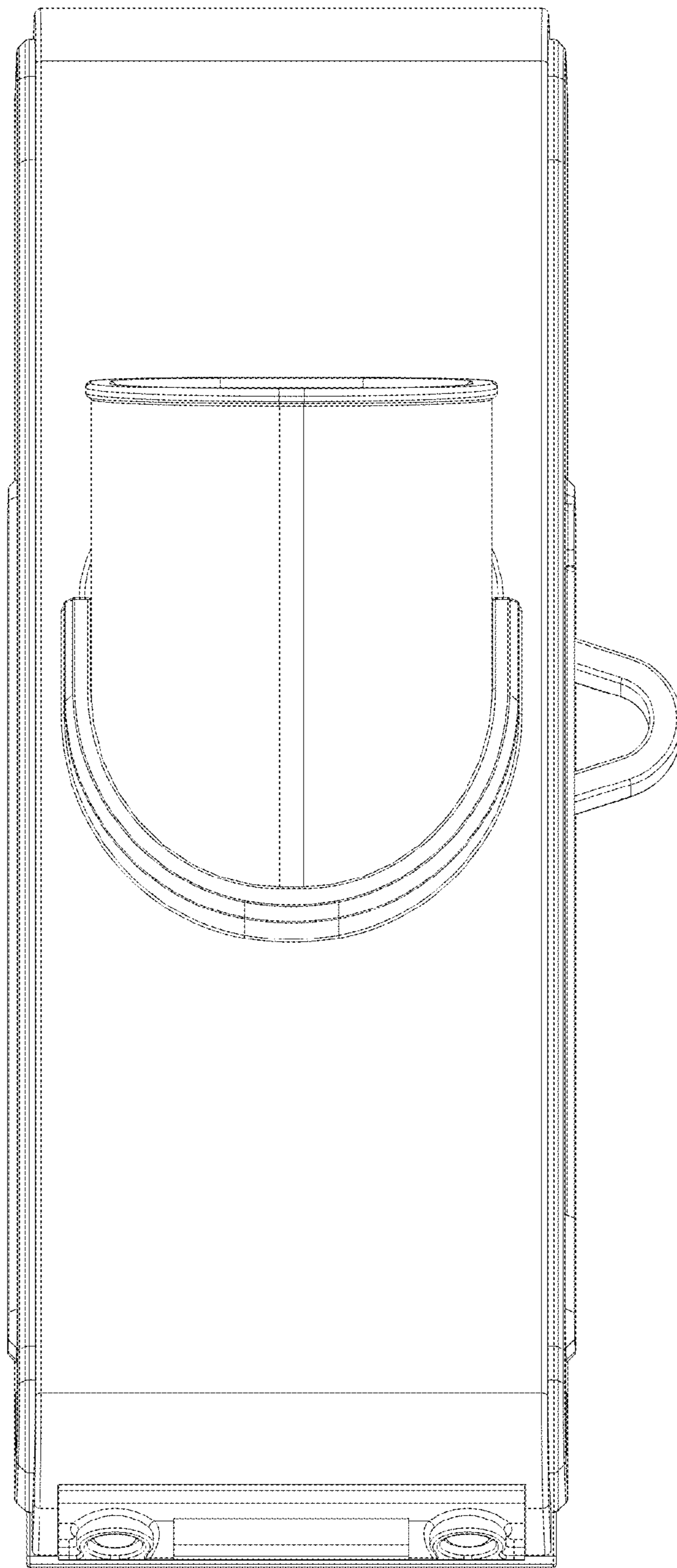


FIG. 1

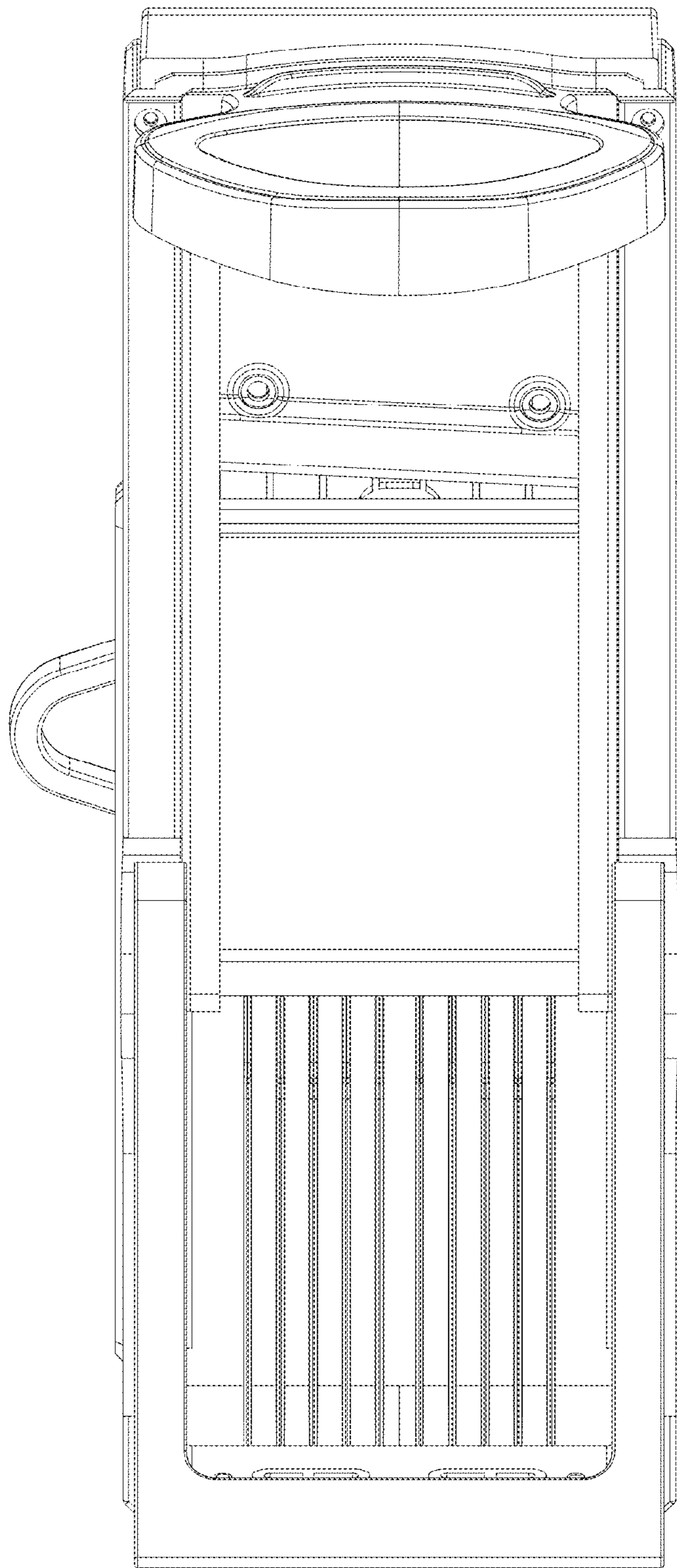


FIG. 2



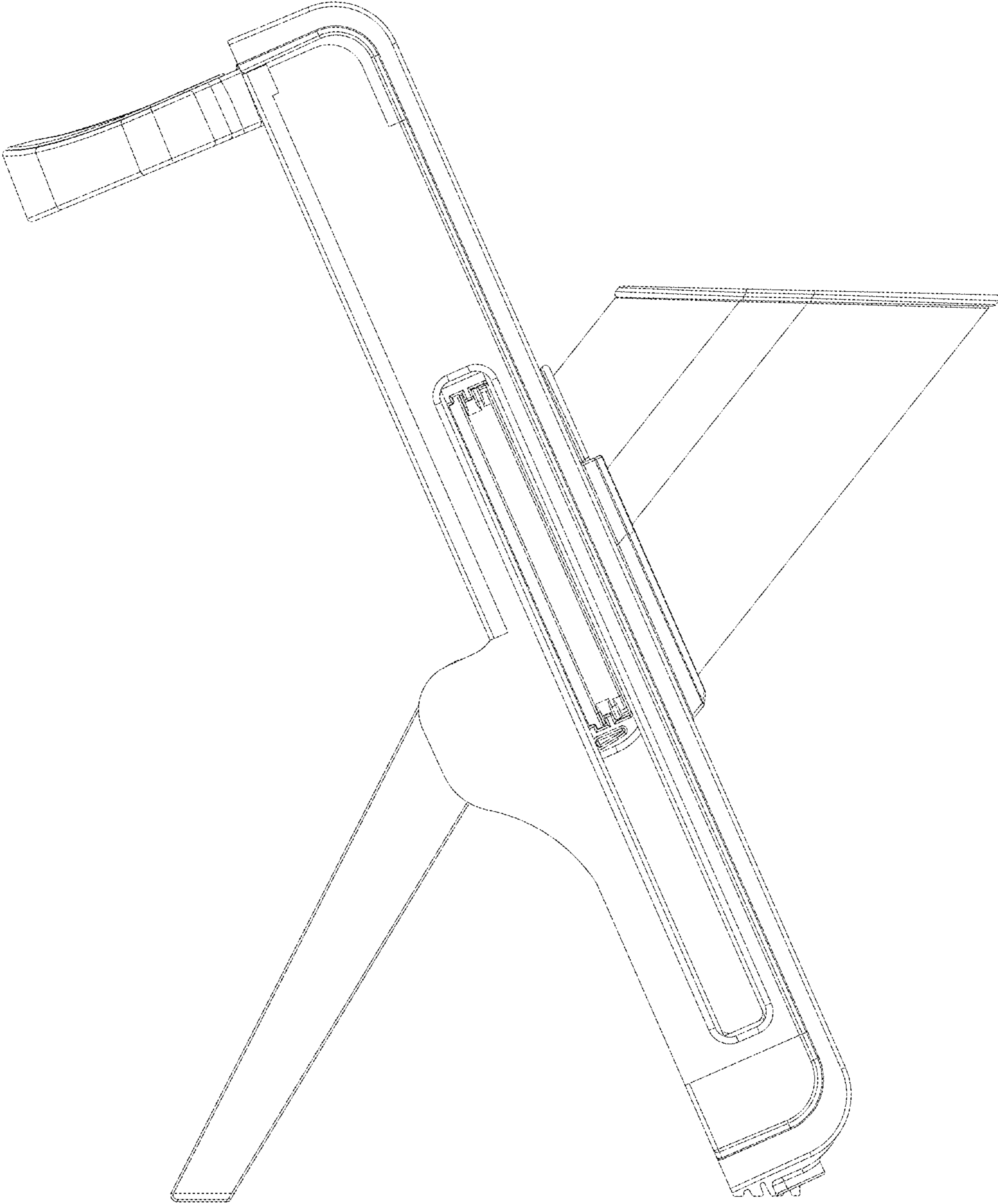


FIG. 3

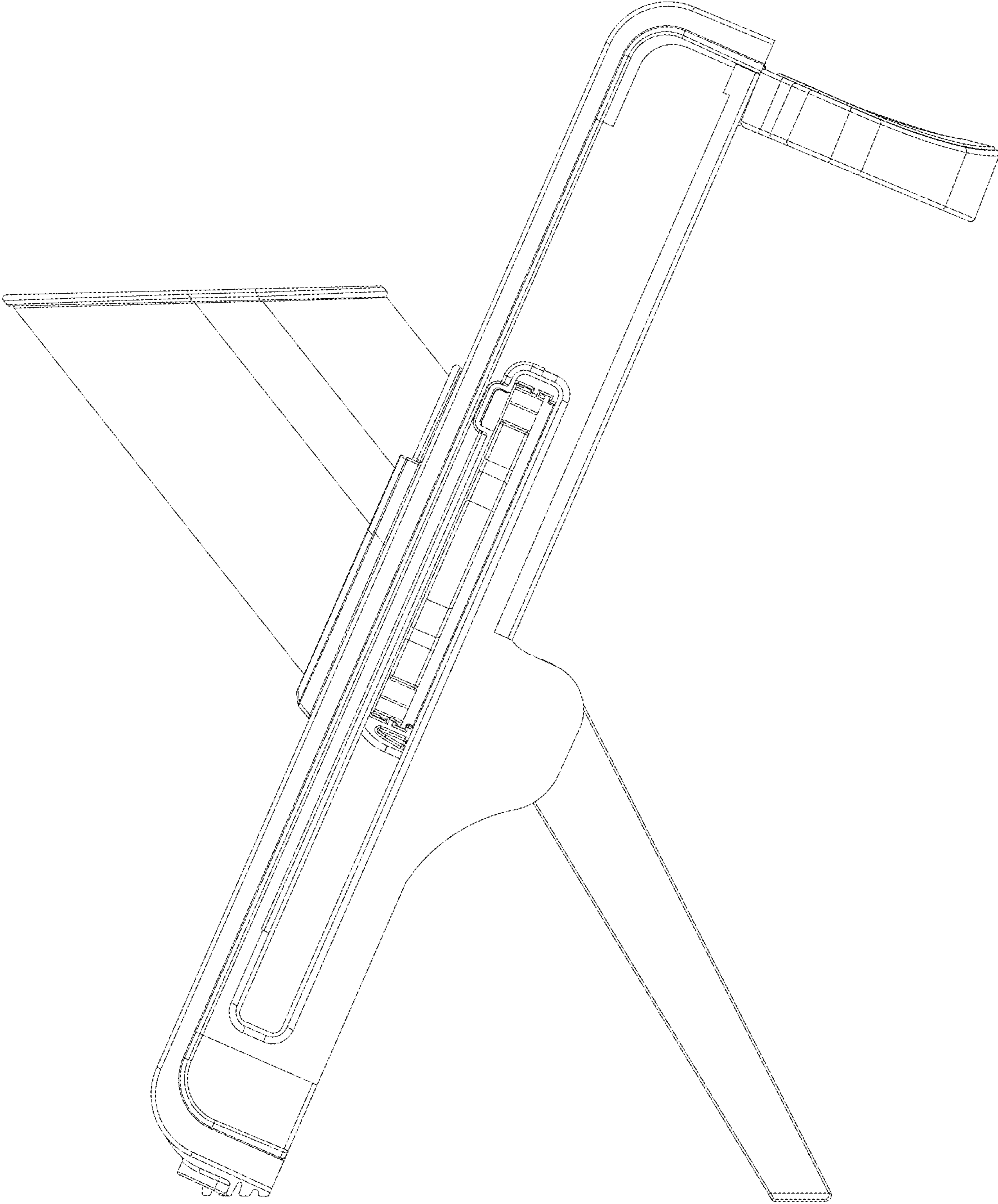


FIG. 4

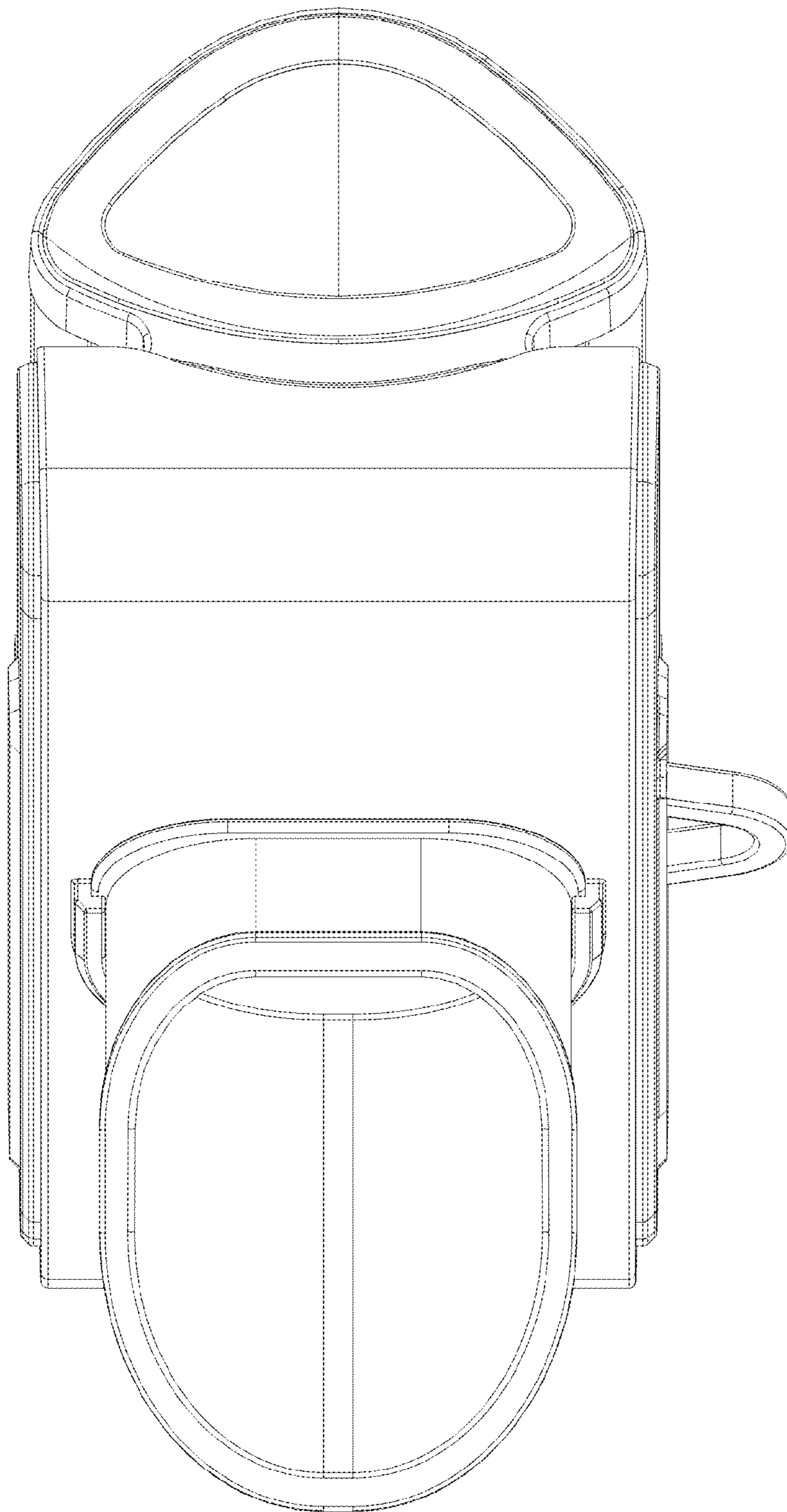


FIG. 5

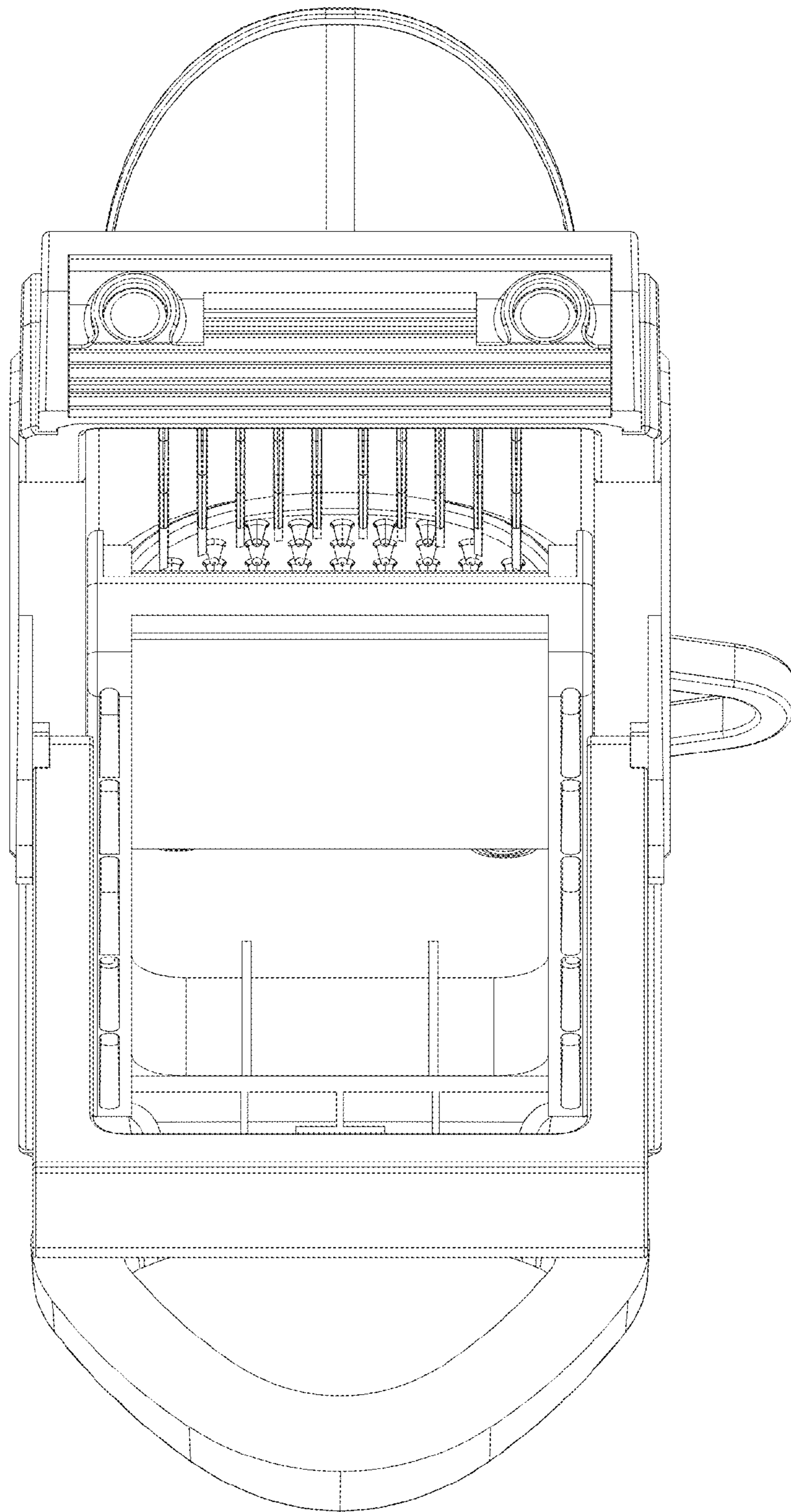


FIG. 6



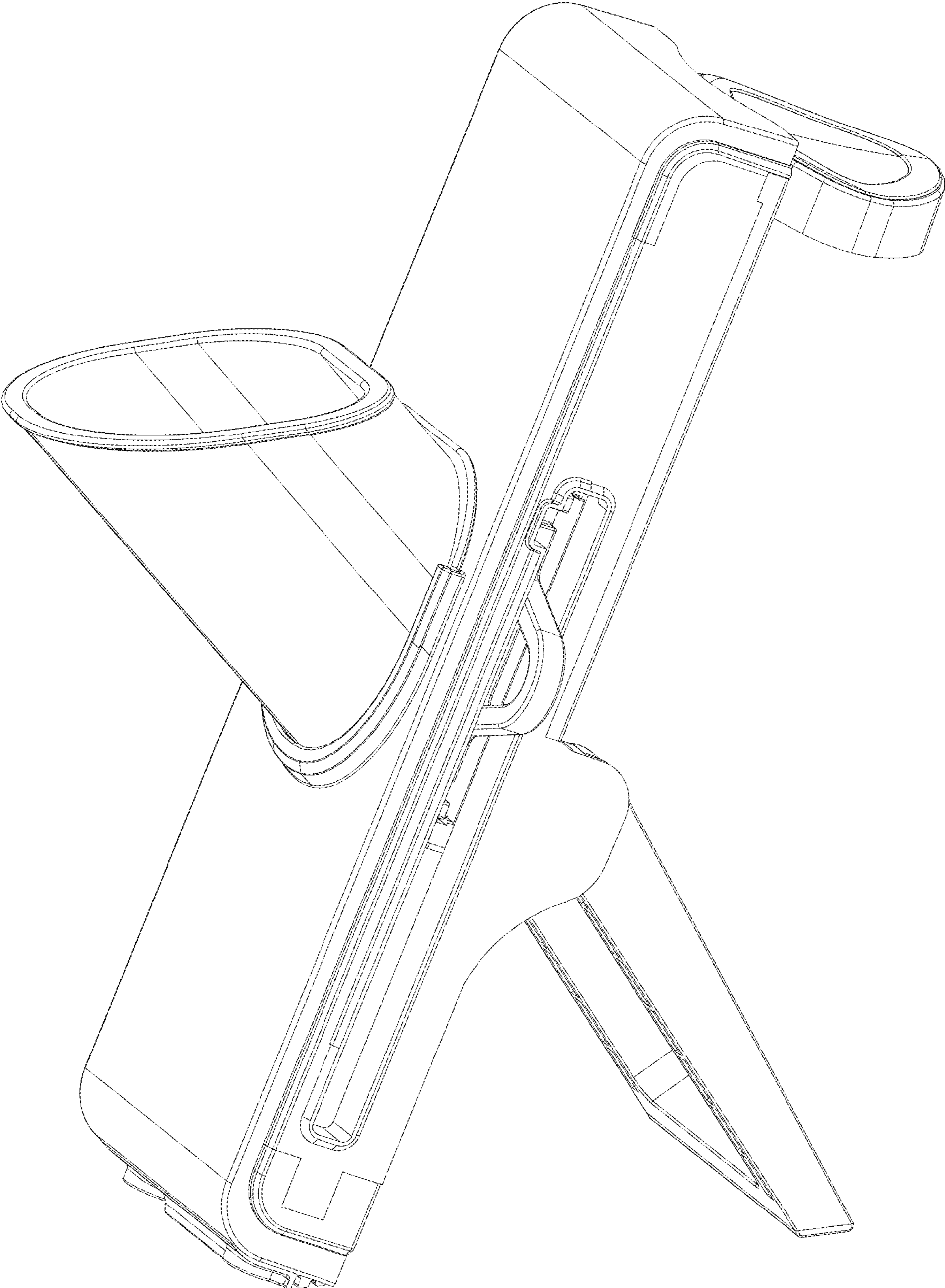


FIG. 7



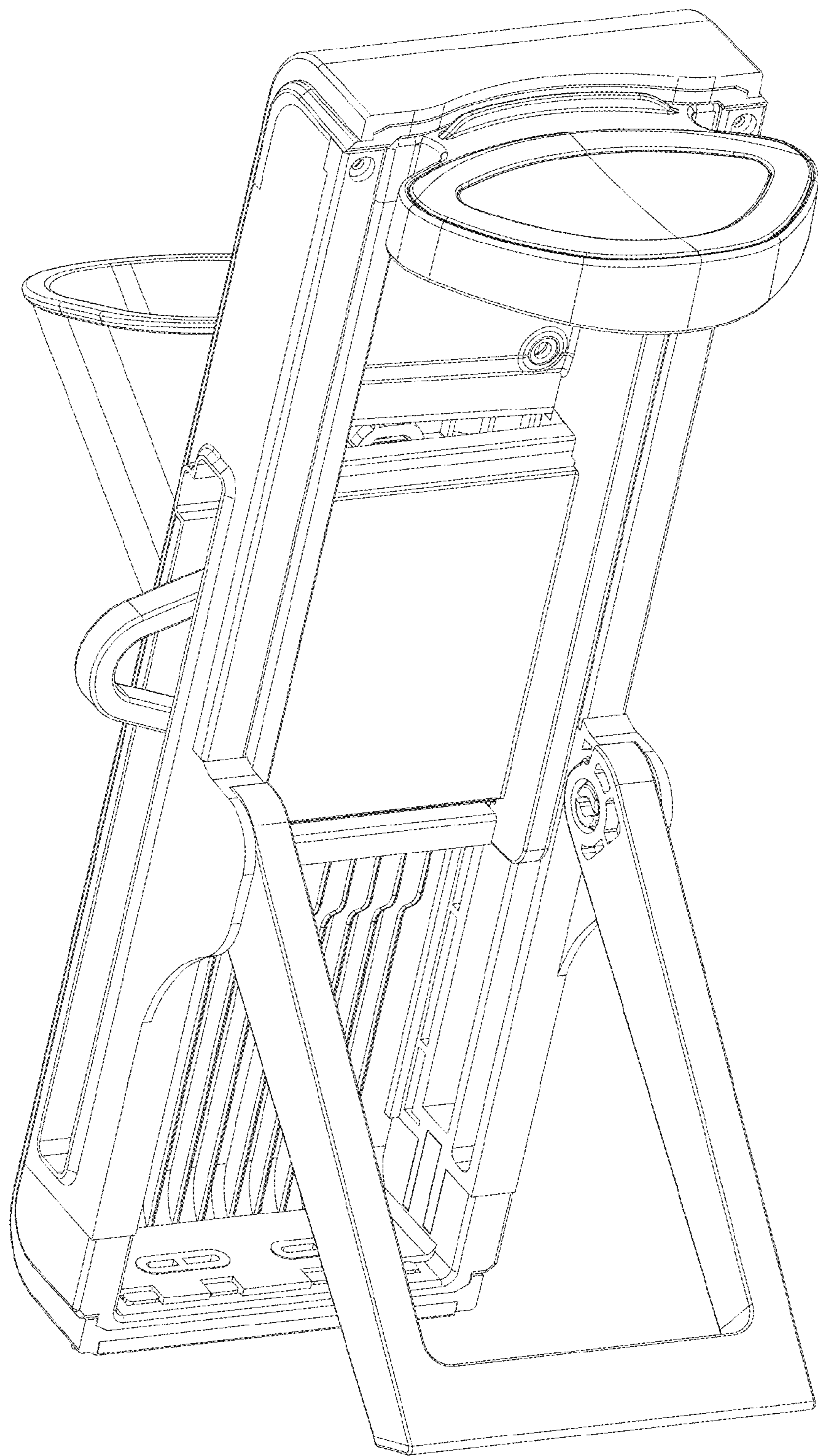


FIG. 8

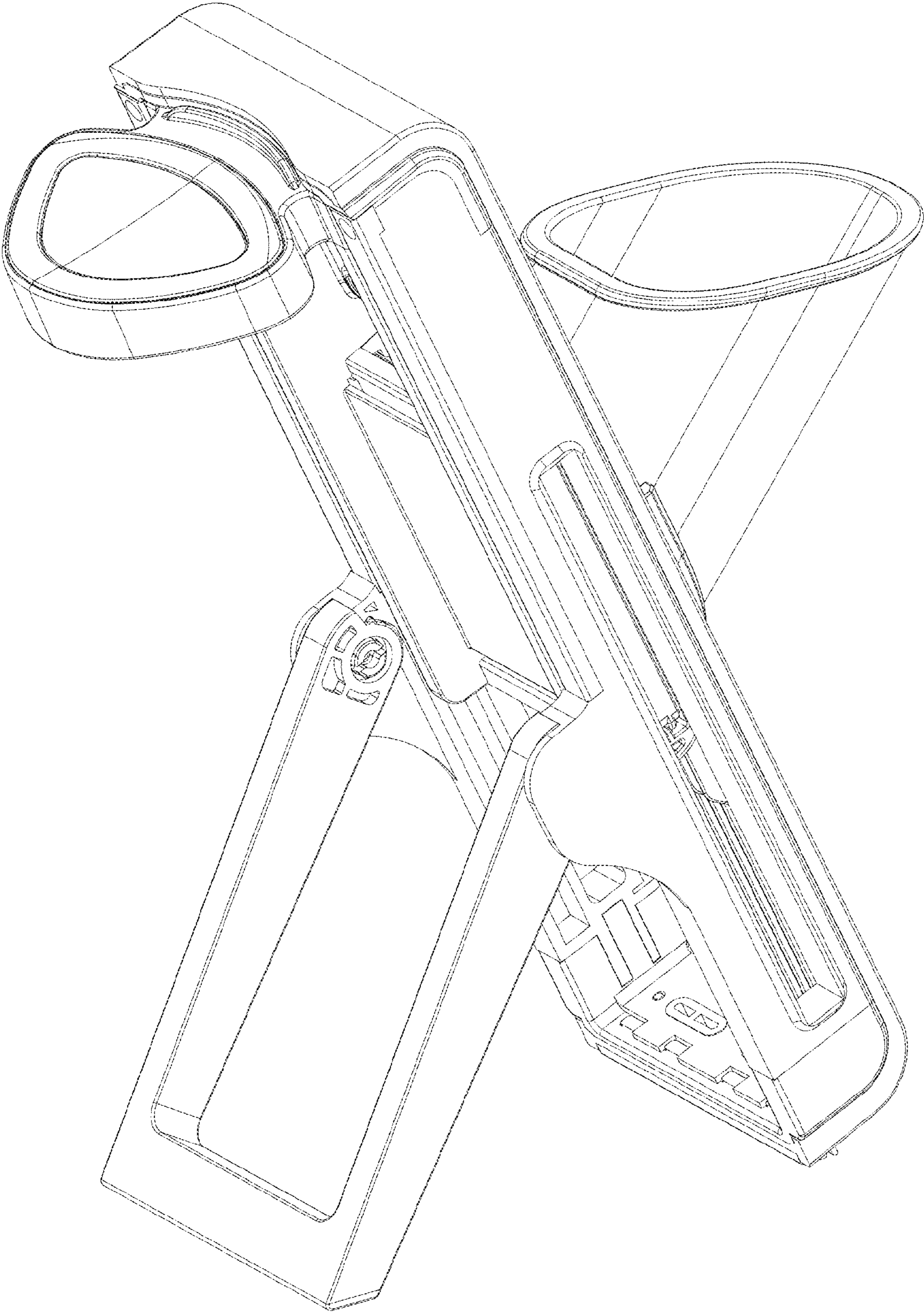


FIG. 9



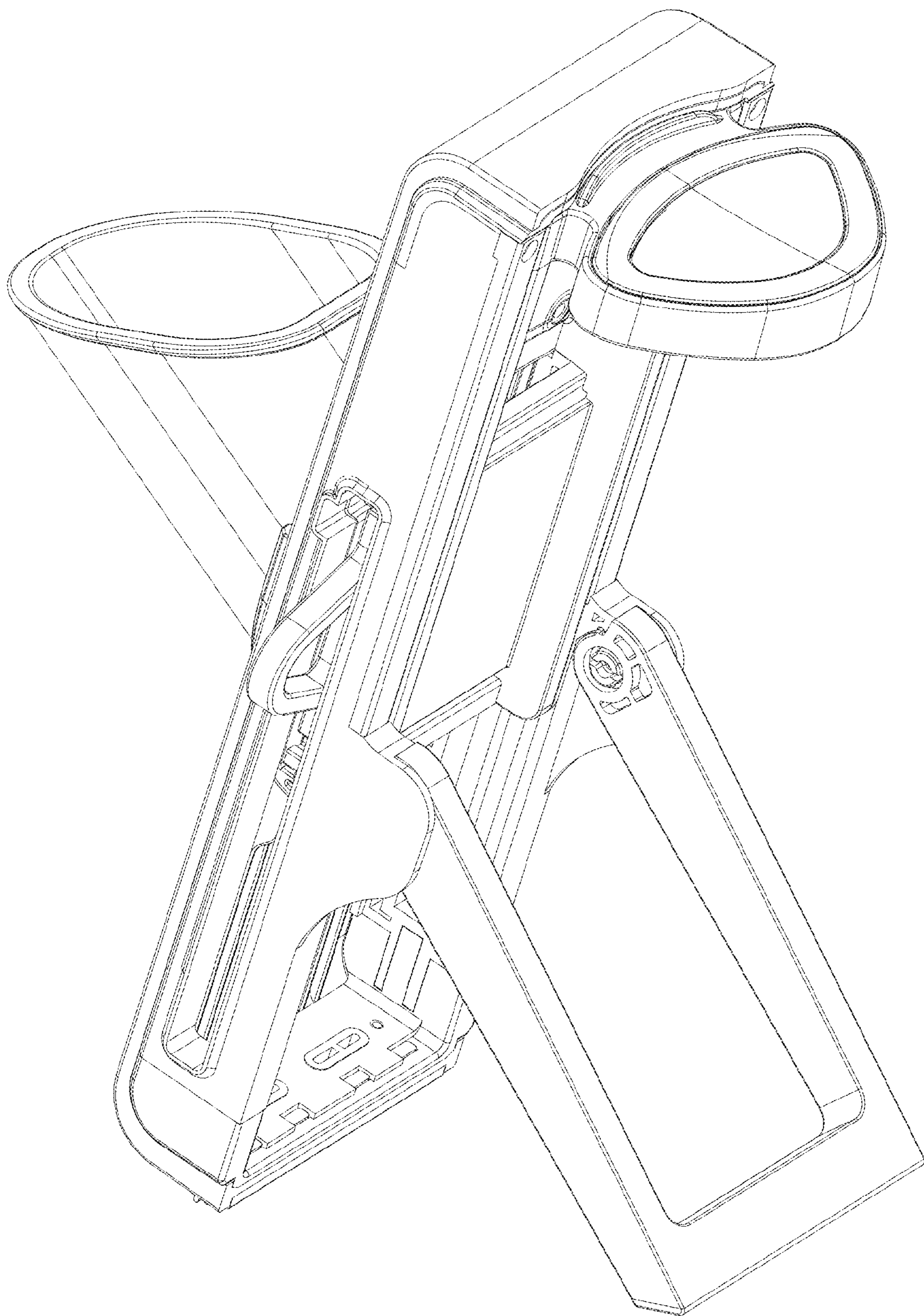


FIG. 10



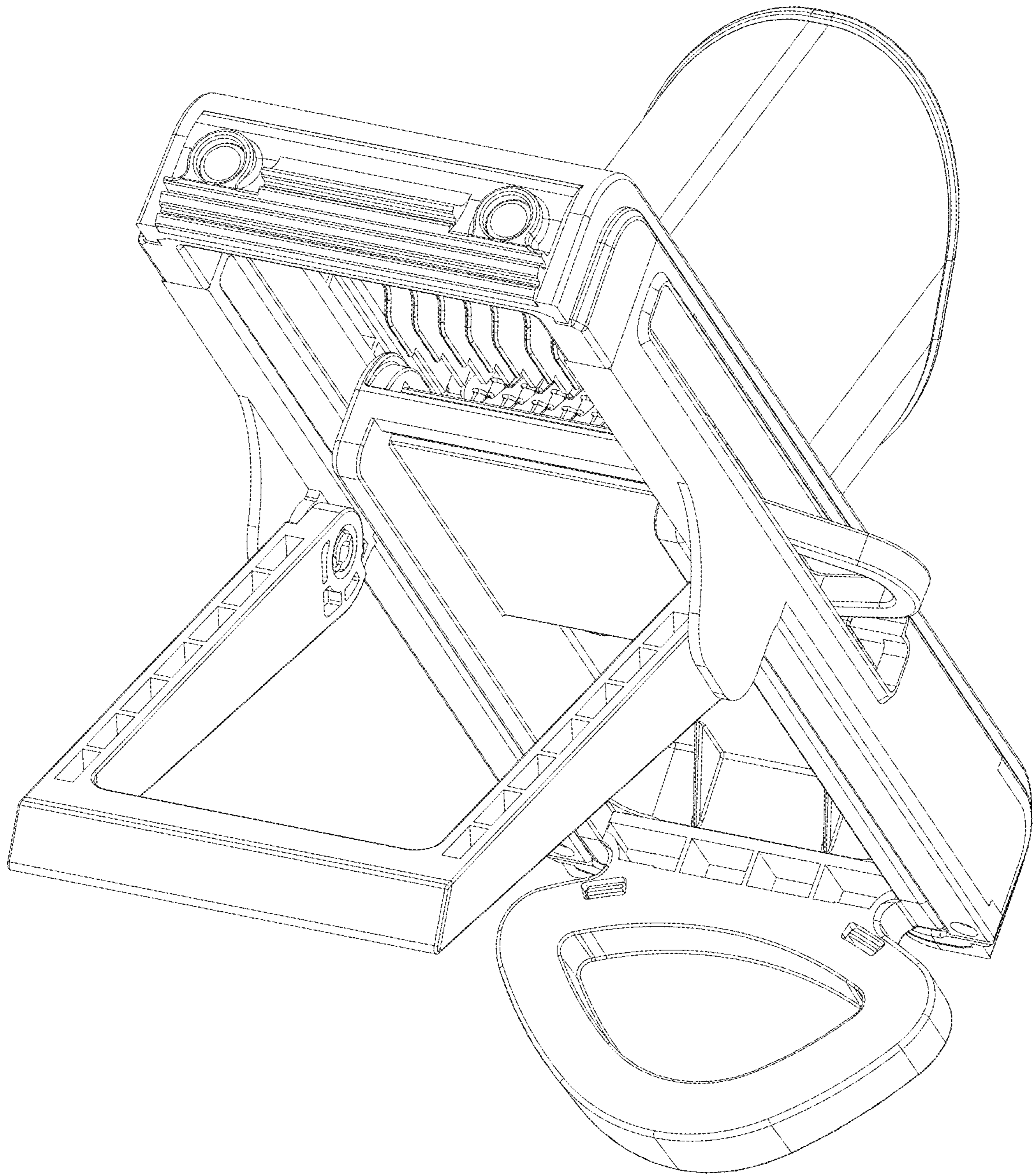


FIG. 11