



US00D951031S

(12) **United States Design Patent**  
**Weber et al.**

(10) **Patent No.:** **US D951,031 S**  
(45) **Date of Patent:** **\*\* May 10, 2022**

- (54) **GARDEN BASKET**
- (71) Applicant: **Fiskars Finland Oy Ab**, Helsinki (FI)
- (72) Inventors: **Emery Weber**, Helsinki (FI); **Stephen Dechant**, Helsinki (FI); **James Meiller**, Helsinki (FI); **Rachel Belter**, Helsinki (FI)
- (73) Assignee: **FISKARS FINLAND OY AB**, Helsinki (FI)
- (\*\*) Term: **15 Years**
- (21) Appl. No.: **29/711,688**
- (22) Filed: **Nov. 1, 2019**
- (51) **LOC (13) Cl.** ..... **31-00**
- (52) **U.S. Cl.**  
USPC ..... **D7/667**
- (58) **Field of Classification Search**  
USPC ..... D7/368, 587, 667, 669, 678, 670, 679, D7/683  
CPC ..... A47J 43/24; B01D 35/28  
See application file for complete search history.

- D835,479 S \* 12/2018 Kokubo ..... D7/667
- D846,958 S \* 4/2019 Holding ..... D7/667
- D850,869 S \* 6/2019 Holding ..... D7/667
- D894,696 S \* 9/2020 Tsui ..... D7/667

**OTHER PUBLICATIONS**

Amazon website, Fiskars 340100-1001 Garden Harvest Basket, Earliest comment date Jan. 29, 2021, [site visited Dec. 29, 2021], Available on the Internet URL [www.amazon.com/Fiskars-340100-1001-Garden-Harvest-Basket/dp/B08Q8N7PBN](http://www.amazon.com/Fiskars-340100-1001-Garden-Harvest-Basket/dp/B08Q8N7PBN) (Year: 2021).\*

\* cited by examiner

*Primary Examiner* — S. Bryan Reinholdt, Jr.  
(74) *Attorney, Agent, or Firm* — Leason Ellis LLP

(57) **CLAIM**

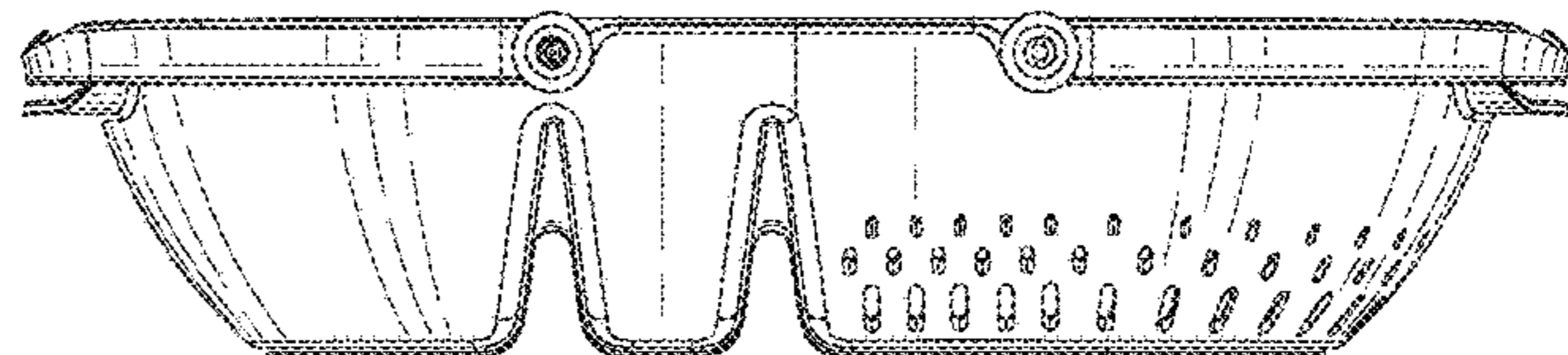
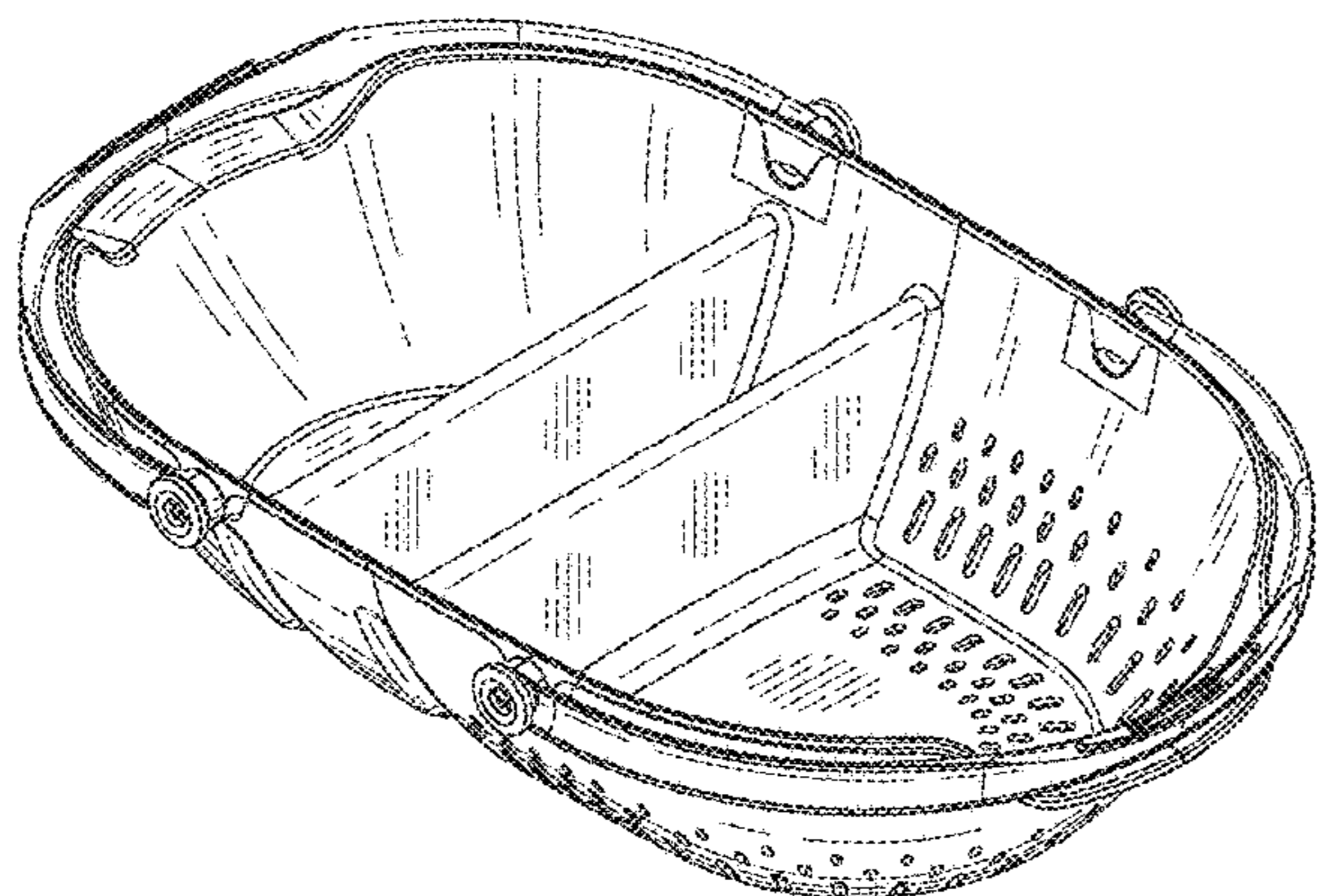
The ornamental design for a garden basket, as shown and described.

**DESCRIPTION**

FIG. 1 is a perspective view of a garden basket according to our new design;  
FIG. 2 is a front view thereof;  
FIG. 3 is a rear view thereof;  
FIG. 4 is a left, side view thereof;  
FIG. 5 is a right, side view thereof;  
FIG. 6 is a top plan view thereof; and,  
FIG. 7 is a bottom plan view thereof.  
Shading in the line drawings is included to convey the curvature and planes of the garden basket and not surface ornamentation.

**1 Claim, 7 Drawing Sheets**

- (56) **References Cited**  
**U.S. PATENT DOCUMENTS**  
D259,535 S \* 6/1981 Daenen ..... D7/667  
D276,812 S \* 12/1984 Kanazawa ..... D15/19  
D665,234 S \* 8/2012 Bagley ..... D7/667  
D679,556 S \* 4/2013 Chen ..... D7/667  
D766,656 S \* 9/2016 Mac Innis ..... D7/400  
D816,435 S \* 5/2018 Chang ..... D7/667  
D835,477 S \* 12/2018 Pawluskiewicz ..... D7/667



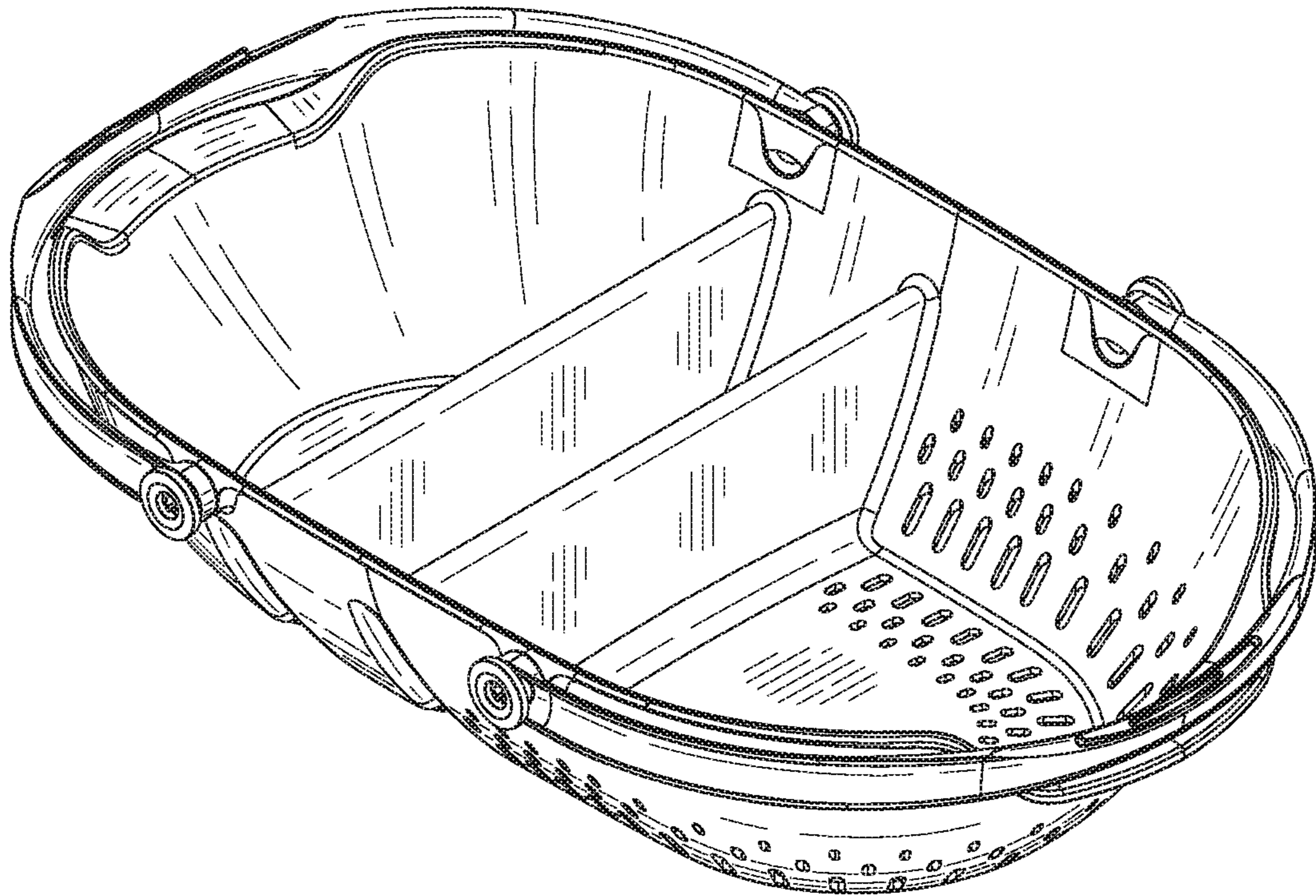


FIG. 1

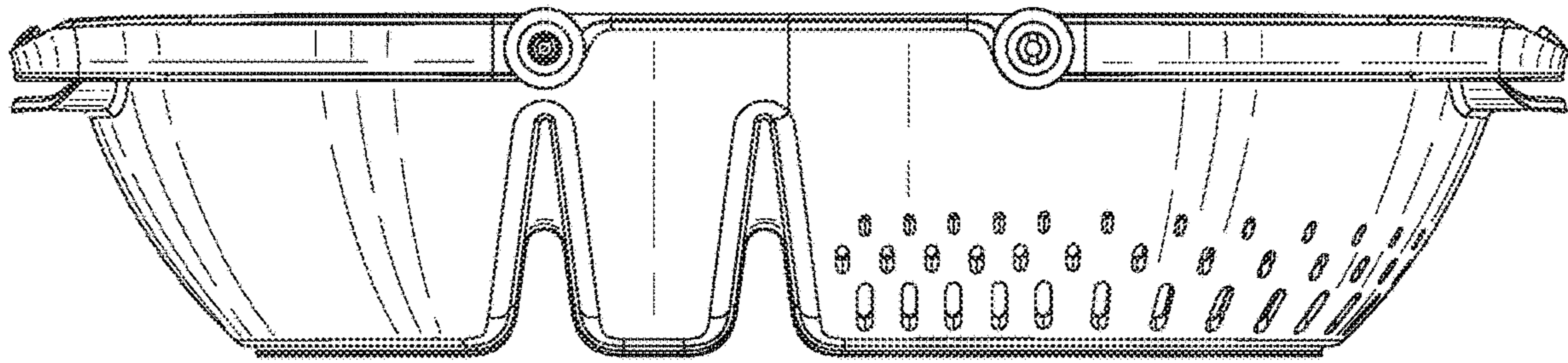


FIG. 2

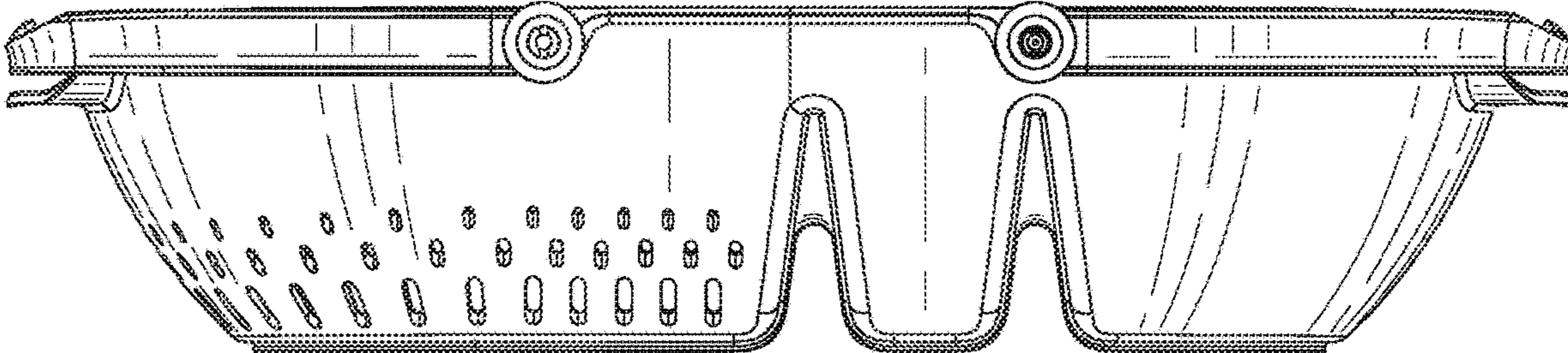


FIG. 3

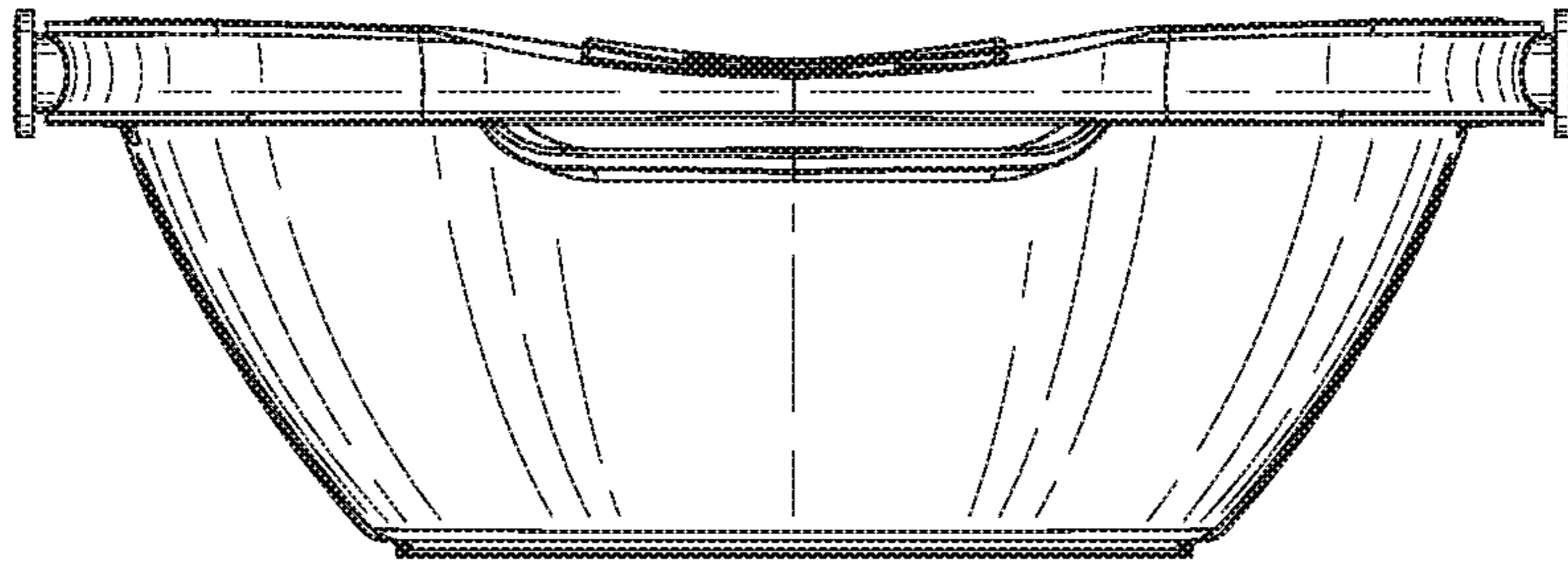


FIG. 4

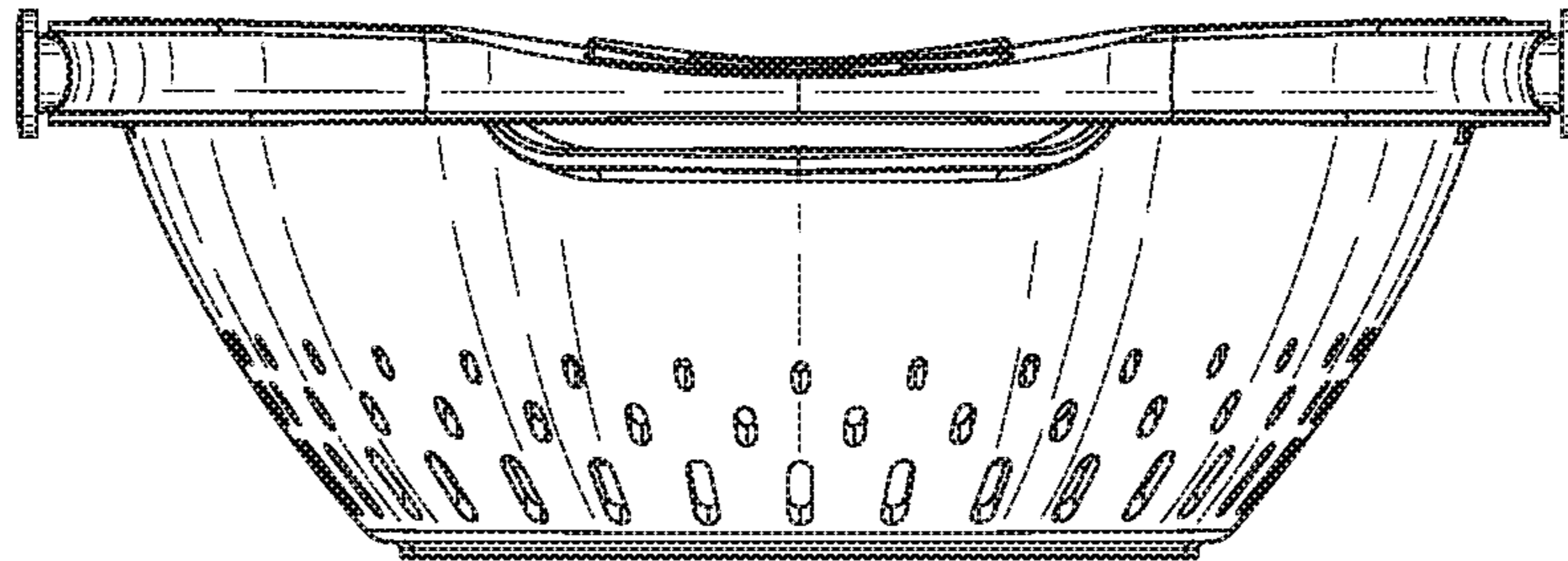


FIG. 5

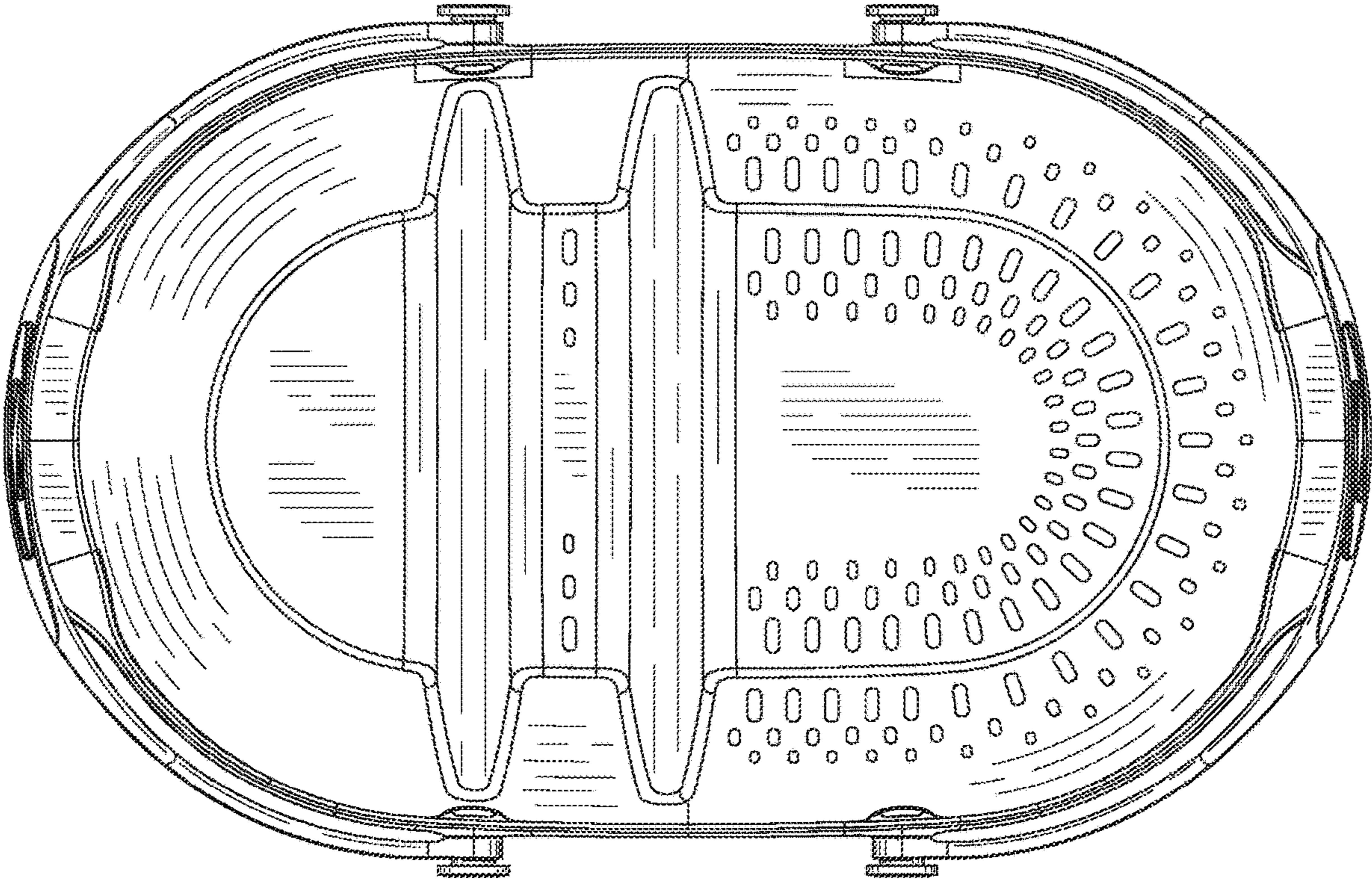


FIG. 6

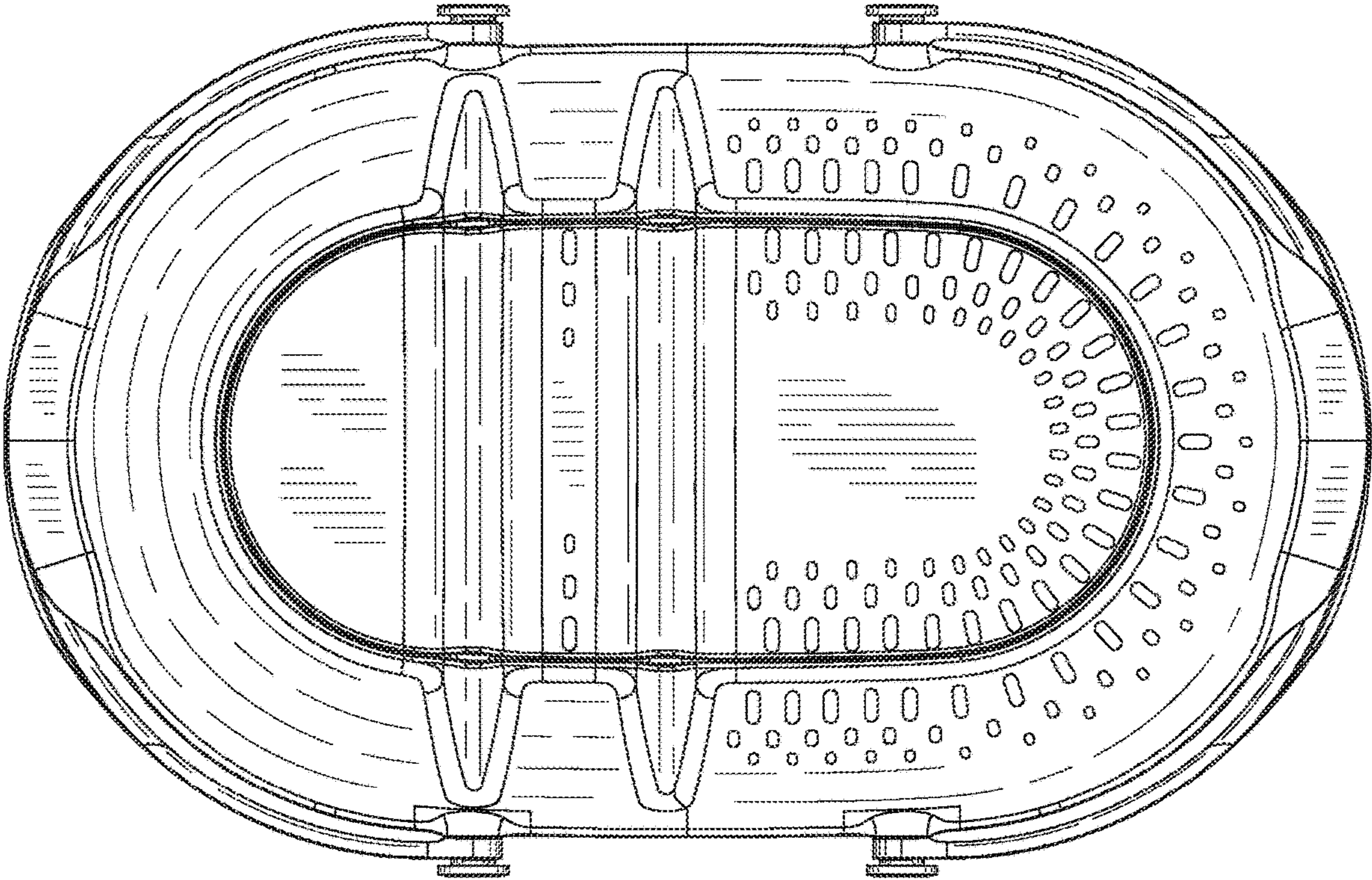


FIG. 7