



US00D951022S

(12) **United States Design Patent**  
**Leshniak**

(10) **Patent No.:** **US D951,022 S**  
(45) **Date of Patent:** **\*\* May 10, 2022**

(54) **FOOD HOLDING PLATE**

(71) Applicant: **Itai Leshniak**, Sunnyvale, CA (US)

(72) Inventor: **Itai Leshniak**, Sunnyvale, CA (US)

(\*\*) Term: **15 Years**

(21) Appl. No.: **29/735,681**

(22) Filed: **May 22, 2020**

(51) **LOC (13) Cl.** ..... **07-01**

(52) **U.S. Cl.**

USPC ..... **D7/504**

(58) **Field of Classification Search**

USPC ..... D7/354, 357, 368, 380–382, 387, 396.1,  
D7/412, 500, 502, 504, 505, 538, 550.1,  
D7/553.1–553.3, 554.1, 554.3, 555, 557,  
D7/584, 586, 601, 602, 665–670,  
D7/672–674, 678, 682, 683, 688, 692,  
D7/693, 697; D1/122; D3/304; D6/536;  
D9/425, 432, 756, 759, 761; D15/90;  
D19/75

CPC .. A47G 19/06; A47G 19/30; A47G 2019/306;  
A47J 37/01; A47J 37/1295

See application file for complete search history.

(56) **References Cited**

**U.S. PATENT DOCUMENTS**

5,628,245 A \* 5/1997 Baze ..... A47J 37/01  
249/120  
D445,000 S \* 7/2001 Luchino ..... A47J 37/01  
D7/504  
D509,407 S \* 9/2005 Fife ..... D7/504  
(Continued)

**OTHER PUBLICATIONS**

Arrow Home Products Fiesta Taco Plate, first available Oct. 27,  
2017, Amazon, [online], [site visited Dec. 17, 2021], Available from

internet URL: <https://www.amazon.com/Arrow-Home-Products-10109-Assorted/dp/B076WZBNFQ> (Year: 2017).\*

(Continued)

*Primary Examiner* — Mary Ann Calabrese

*Assistant Examiner* — Natalya M Rapundalo

(74) *Attorney, Agent, or Firm* — Lightbulb IP, LLC

(57) **CLAIM**

The ornamental design for a food holding plate, as shown and described.

**DESCRIPTION**

FIG. 1 is a top perspective view of a first embodiment of a food holding plate;

FIG. 2 is a bottom perspective view of a food holding plate as shown in FIGS. 1 and 7;

FIG. 3 is a top plan view of a food holding plate as shown in FIG. 1;

FIG. 4 is a bottom plan view of a food holding plate as shown in FIG. 1;

FIG. 5 is a side elevation view of a food holding plate as shown in FIG. 1, with the opposite side elevation view being a mirror image thereof;

FIG. 6 is a front elevation view of a food holding plate as shown in FIGS. 1 and 7, with the opposite back elevation view being a mirror image thereof;

FIG. 7 is a top perspective view of a second embodiment of a food holding plate, which includes a relief, the bottom perspective view and front elevation view thereof being shown in FIGS. 2 and 6, respectively;

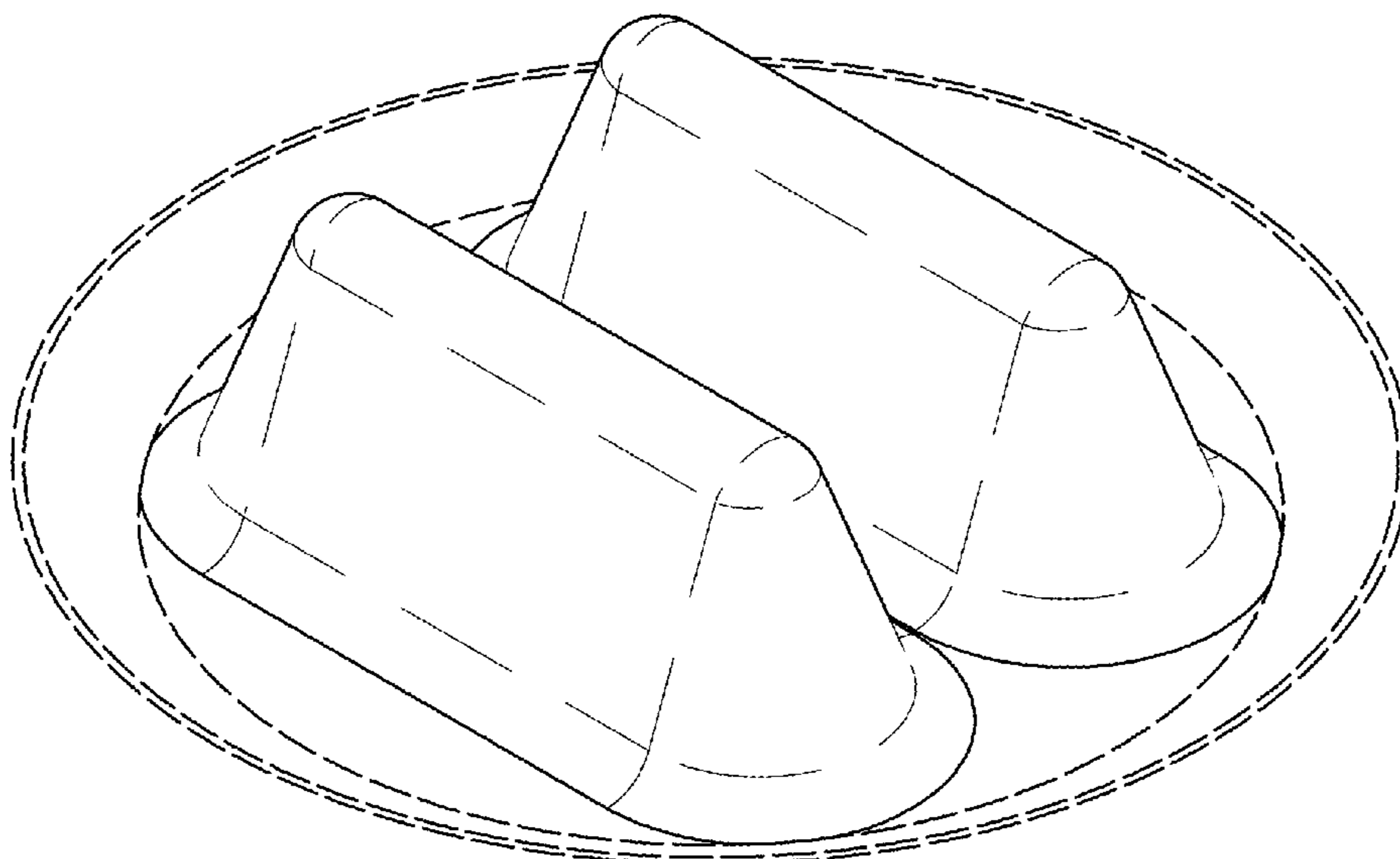
FIG. 8 is a side elevation view of a food holding plate as shown in FIG. 7, with the opposite side elevation view being a mirror image thereof;

FIG. 9 is a top plan view of a food holding plate as shown in FIG. 7; and,

FIG. 10 is a bottom plan view of a food holding plate as shown in FIG. 7.

The portions shown in broken lines in the drawings illustrate environment and form no part of the claimed design.

**1 Claim, 5 Drawing Sheets**



(56)

**References Cited**

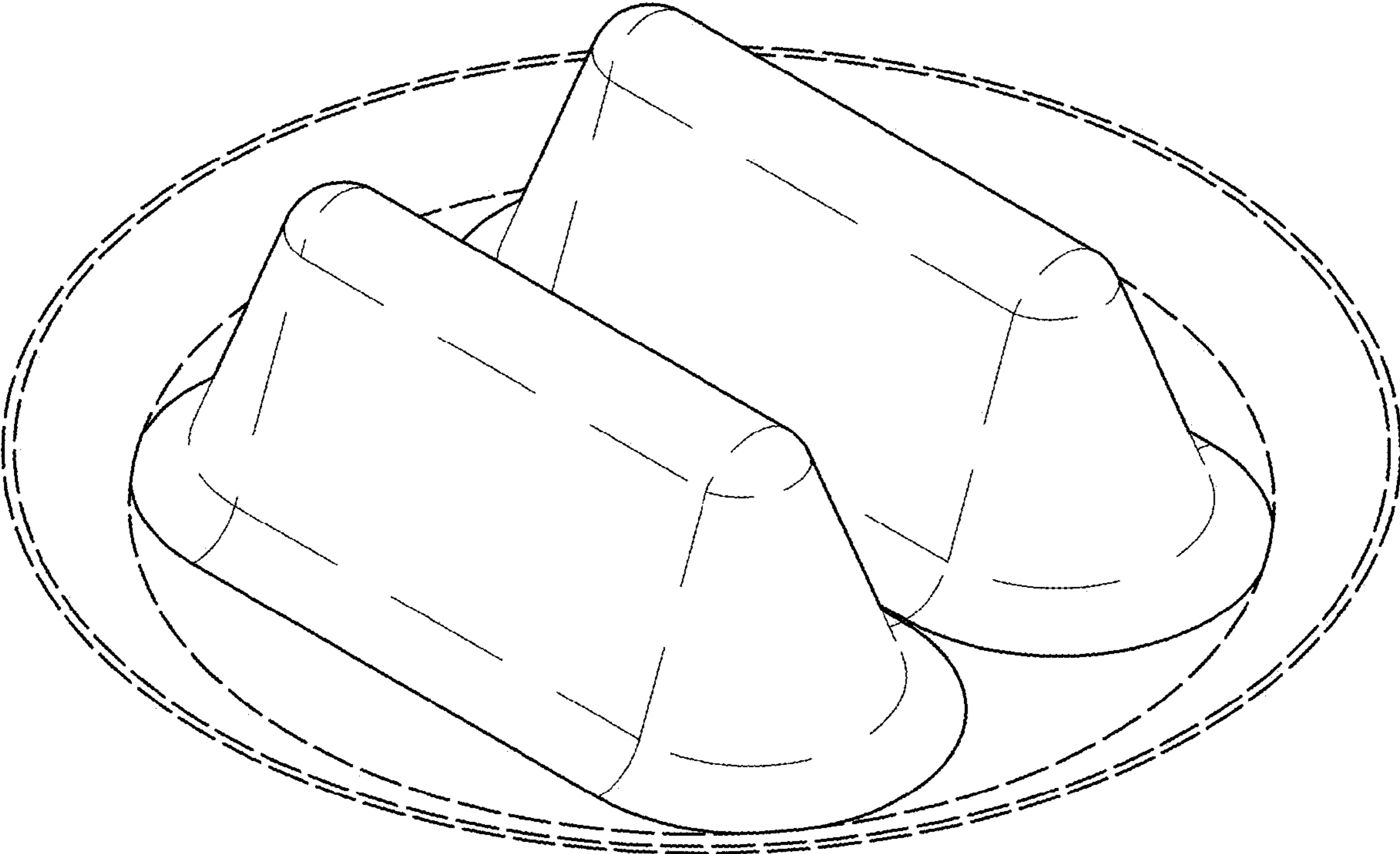
U.S. PATENT DOCUMENTS

D539,606	S	*	4/2007	Whittington	.....	D7/504
D613,119	S	*	4/2010	Gatto	.....	D7/504
D779,270	S	*	2/2017	Hogan	.....	D7/504
D793,163	S	*	8/2017	Goldmeier	.....	D7/504
D823,022	S	*	7/2018	Goding	.....	D6/536
D860,790	S	*	9/2019	Sedgwick	.....	D9/456
D891,181	S	*	7/2020	Chapman	.....	D7/504
D910,364	S	*	2/2021	Huckestein	.....	D7/357
D932,244	S	*	10/2021	Munoz Rivas	.....	D7/504

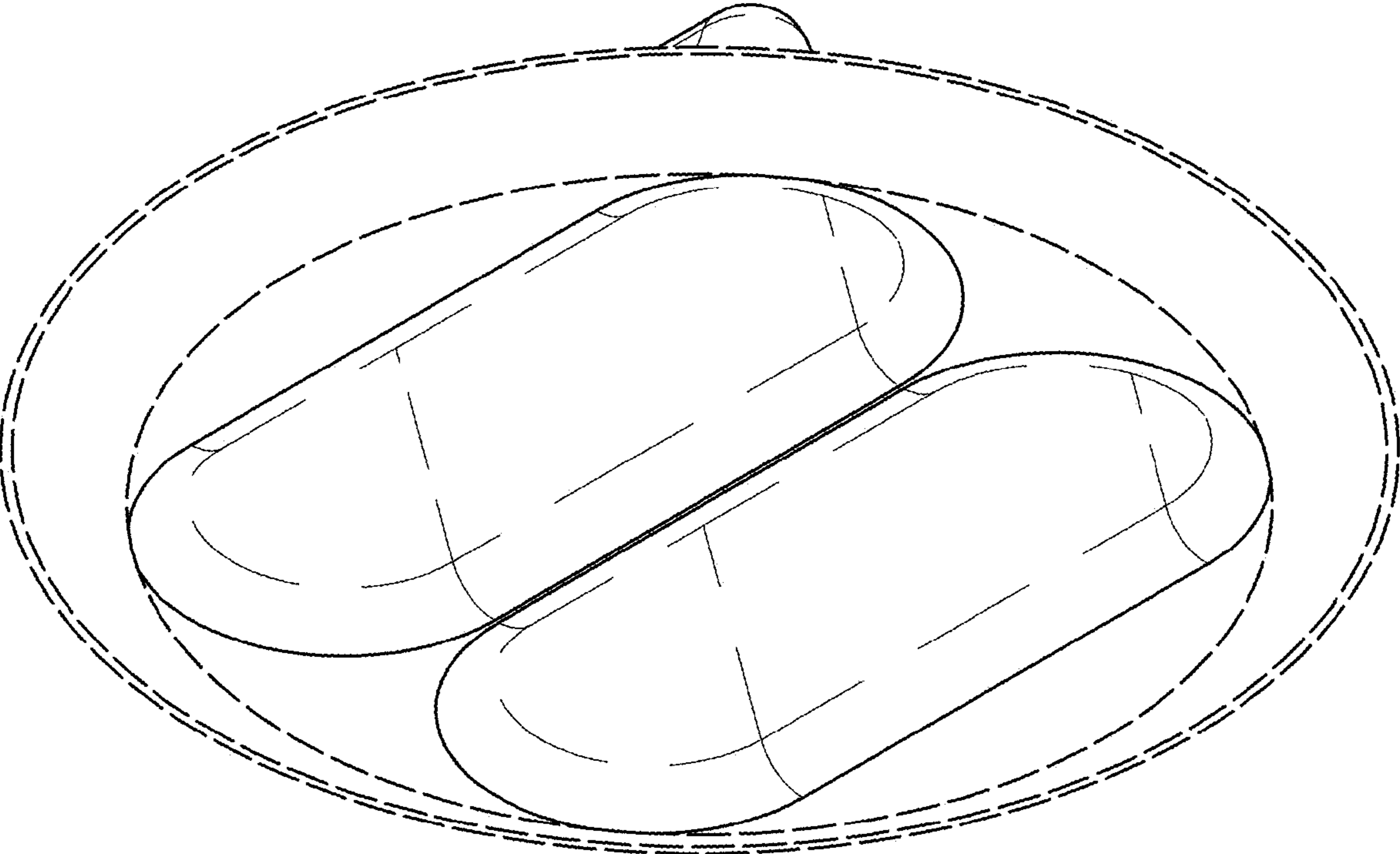
OTHER PUBLICATIONS

Taco Holder Set of 4, first available Jun. 24, 2021, Amazon, [online], [site visited Dec. 17, 2021], Available from internet URL: <https://www.amazon.com/Holder-Large-Plastic-Party-plates/dp/B097SQ2NRW> (Year: 2021).\*

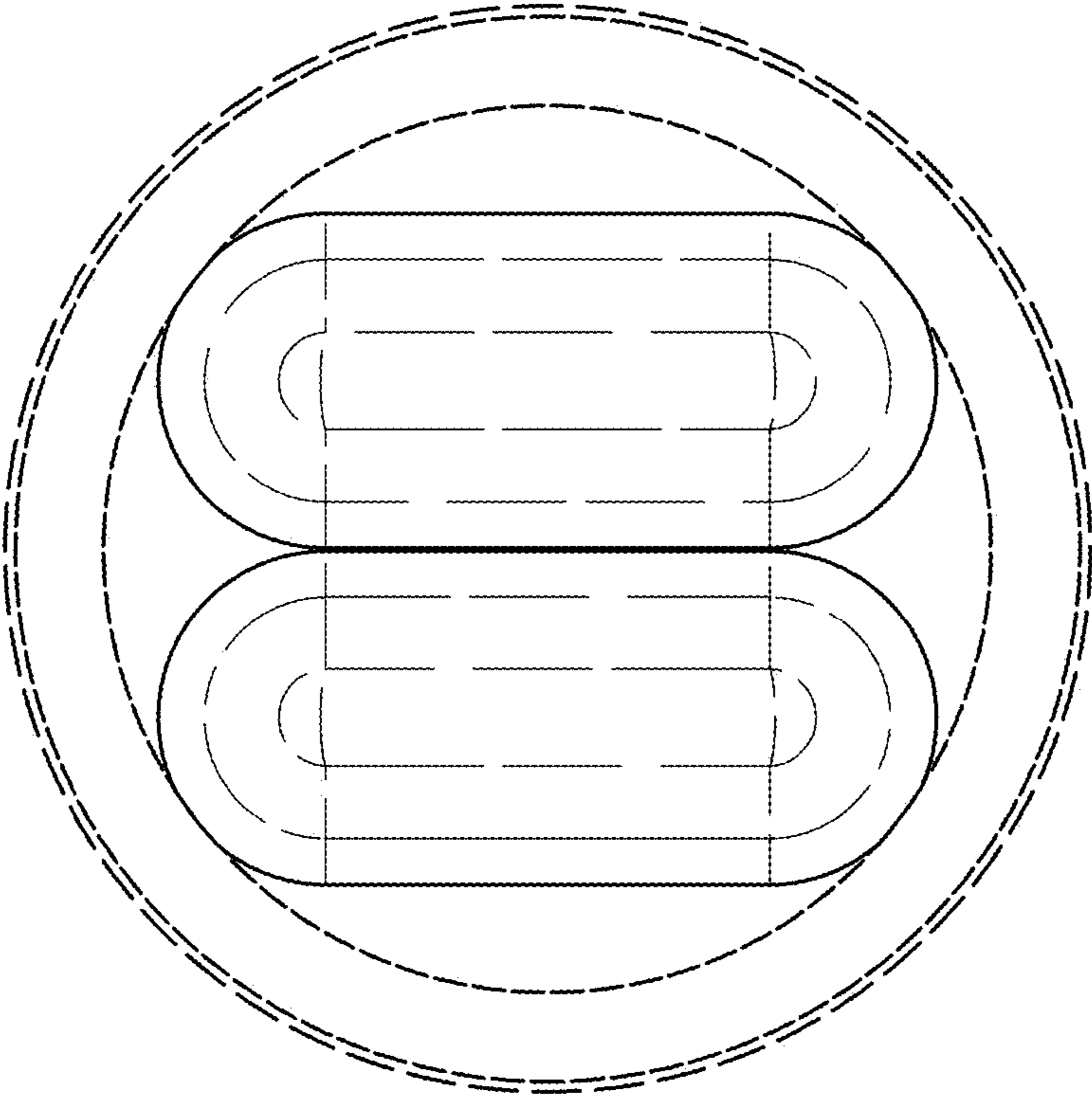
\* cited by examiner



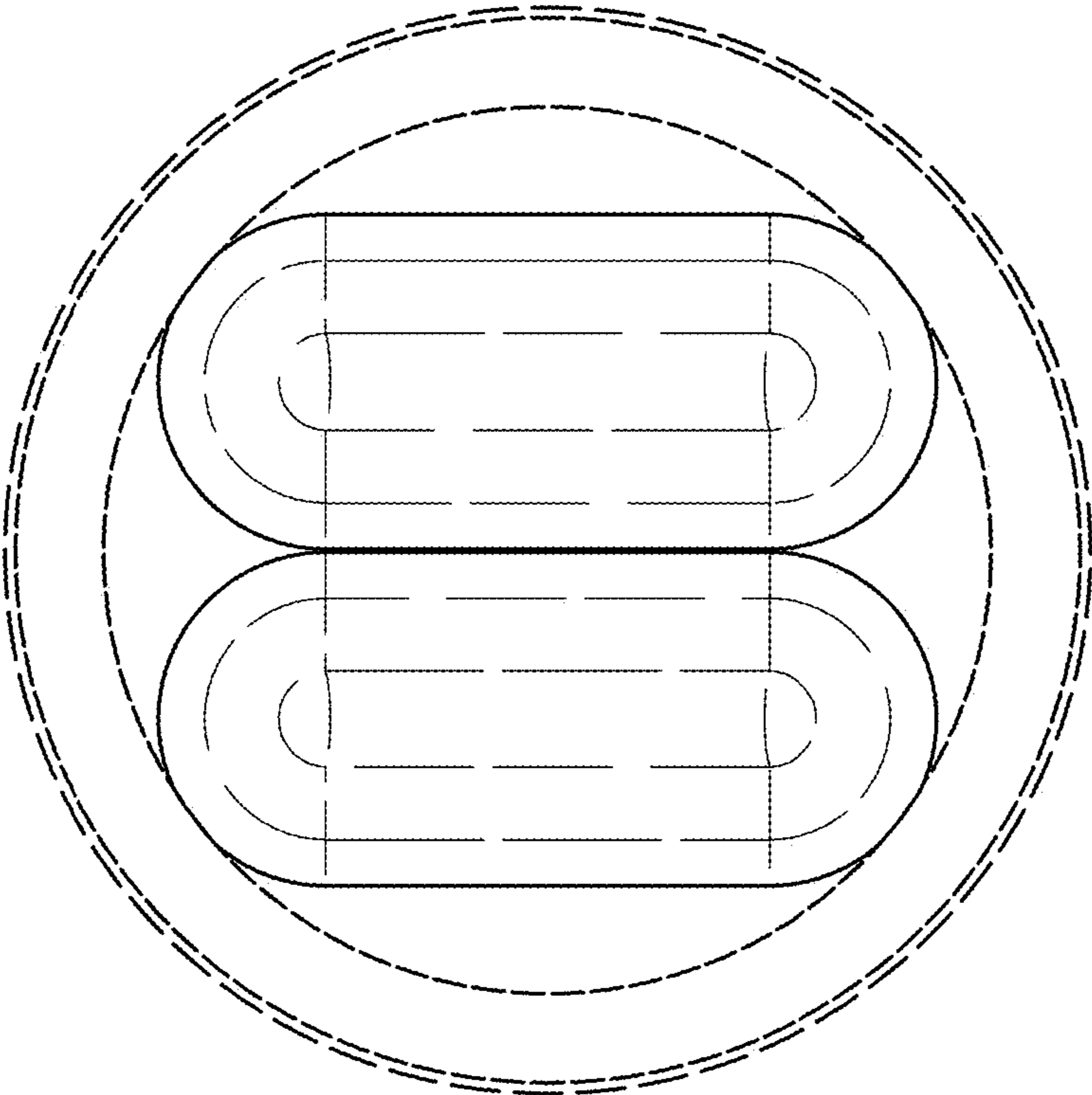
**FIG. 1**



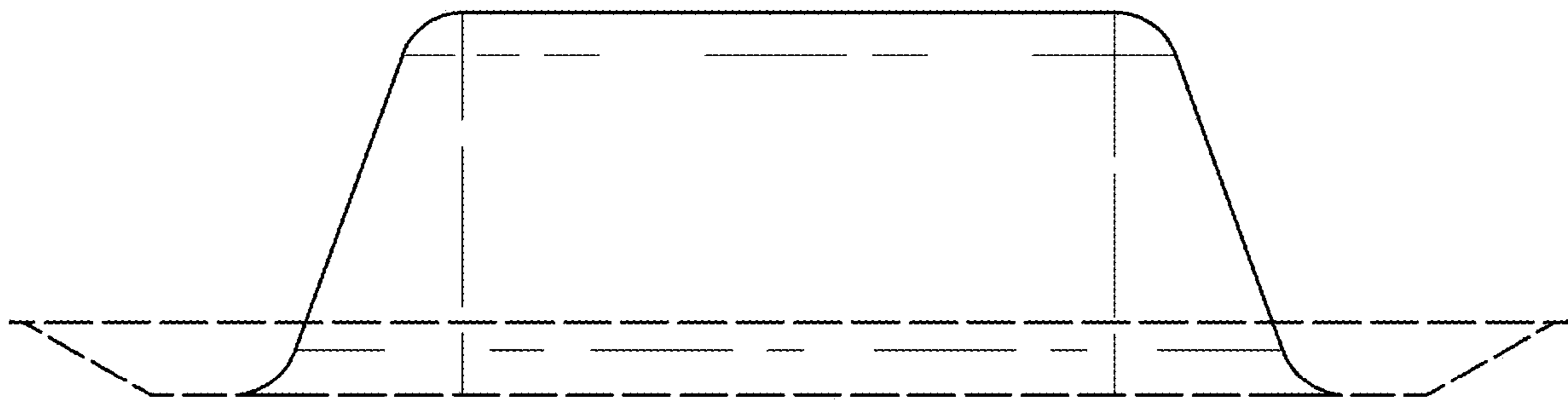
**FIG. 2**



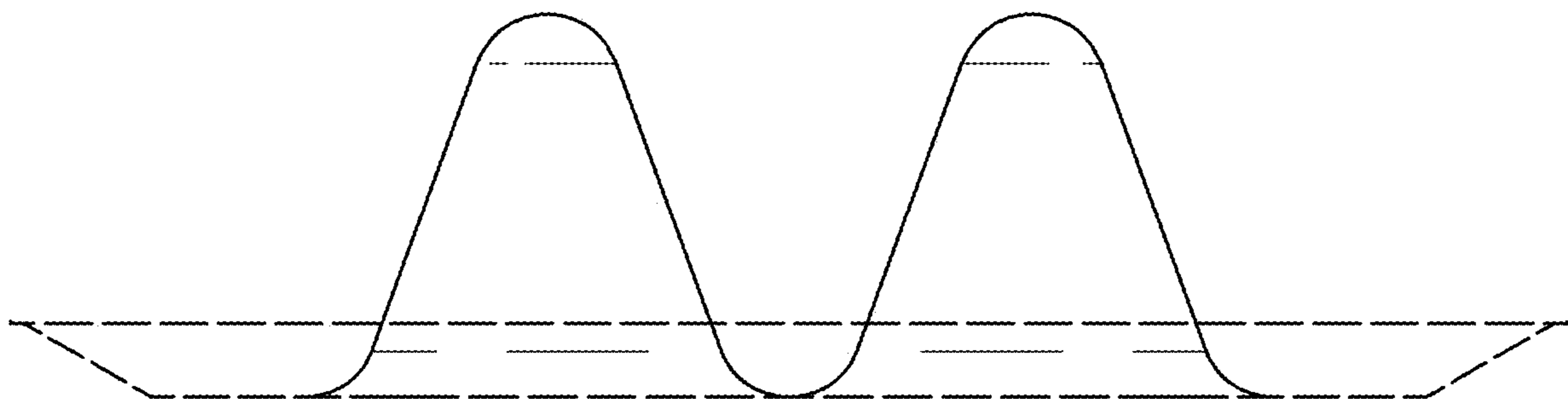
**FIG. 3**



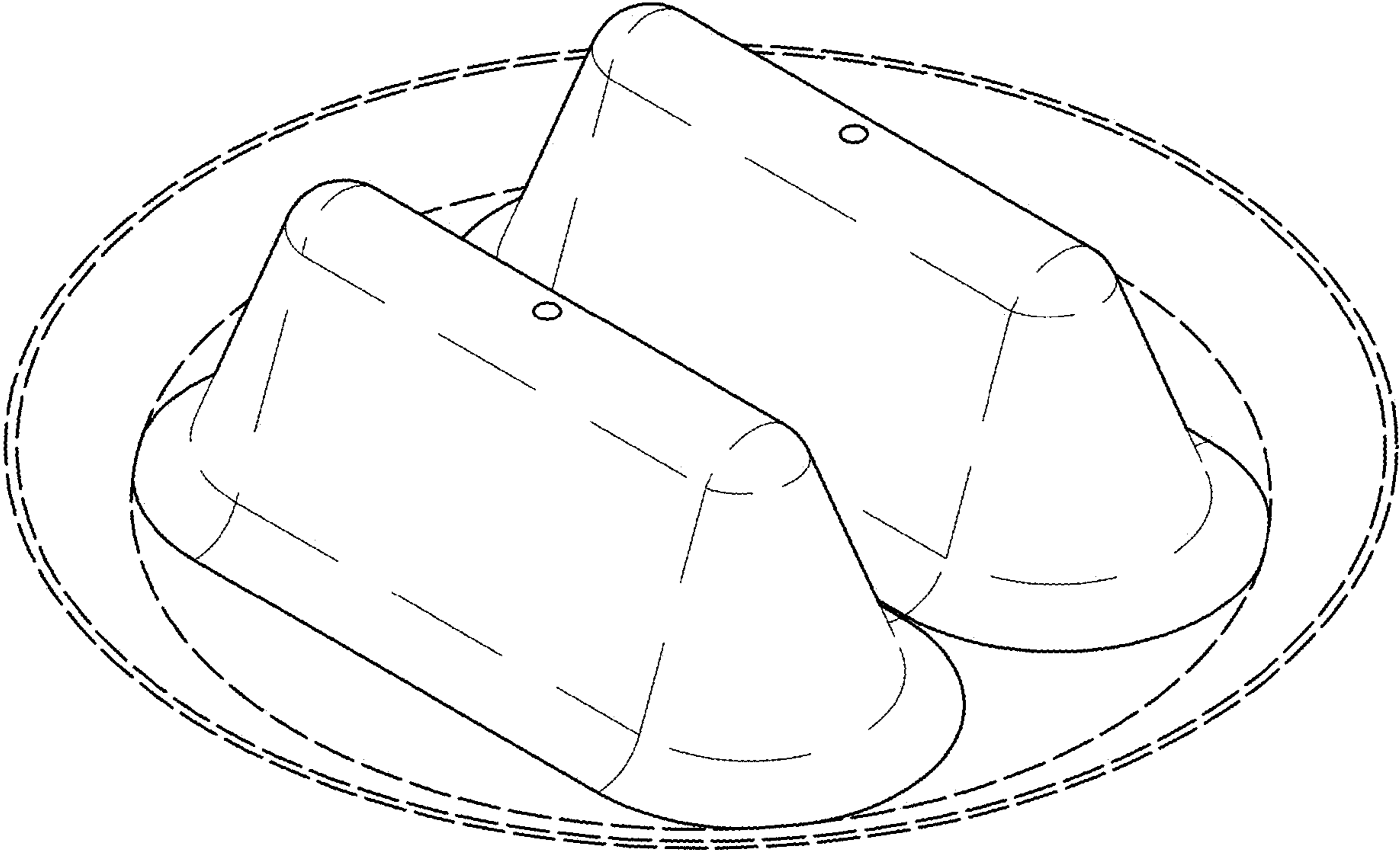
**FIG. 4**



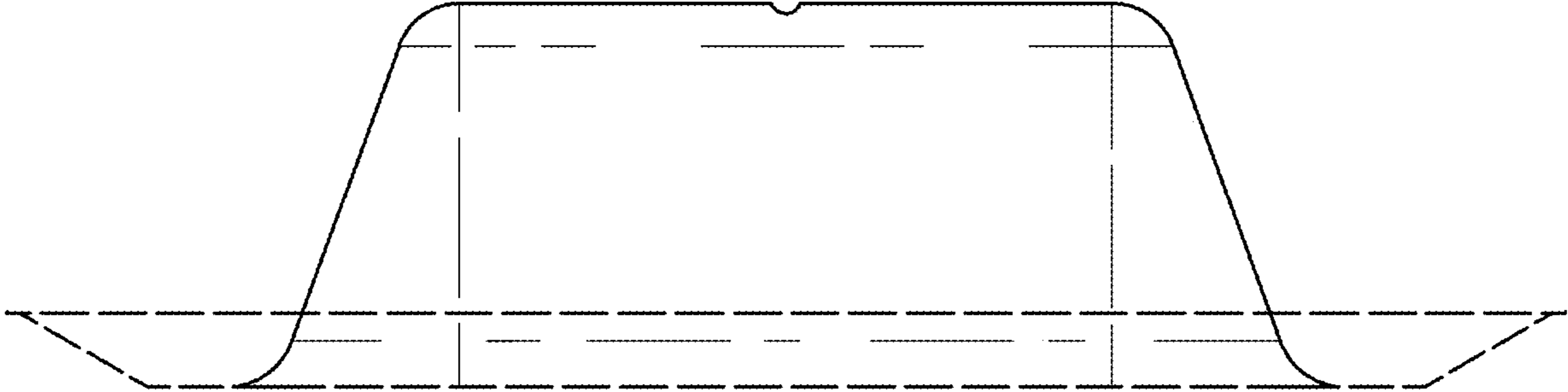
**FIG. 5**



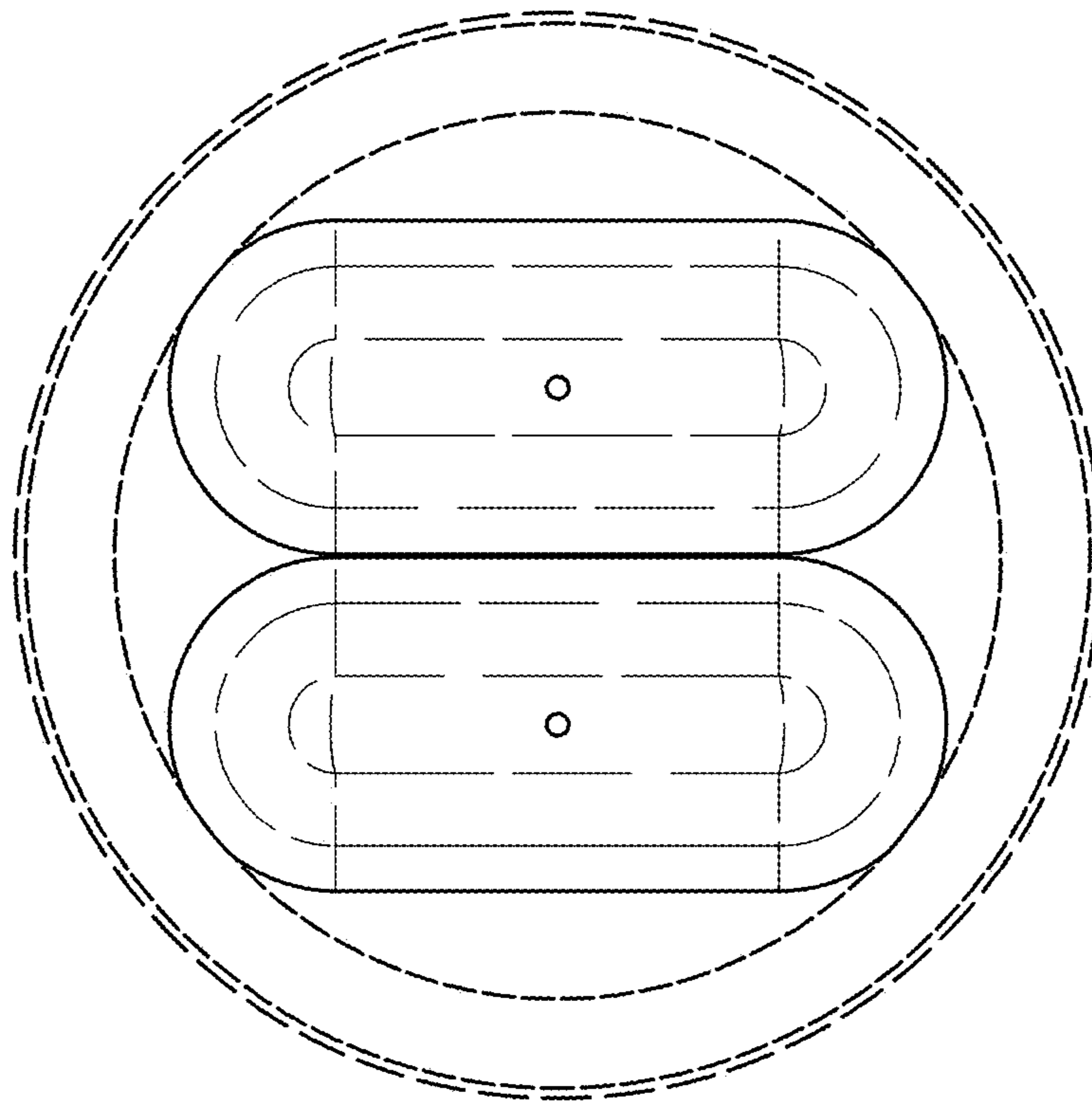
**FIG. 6**



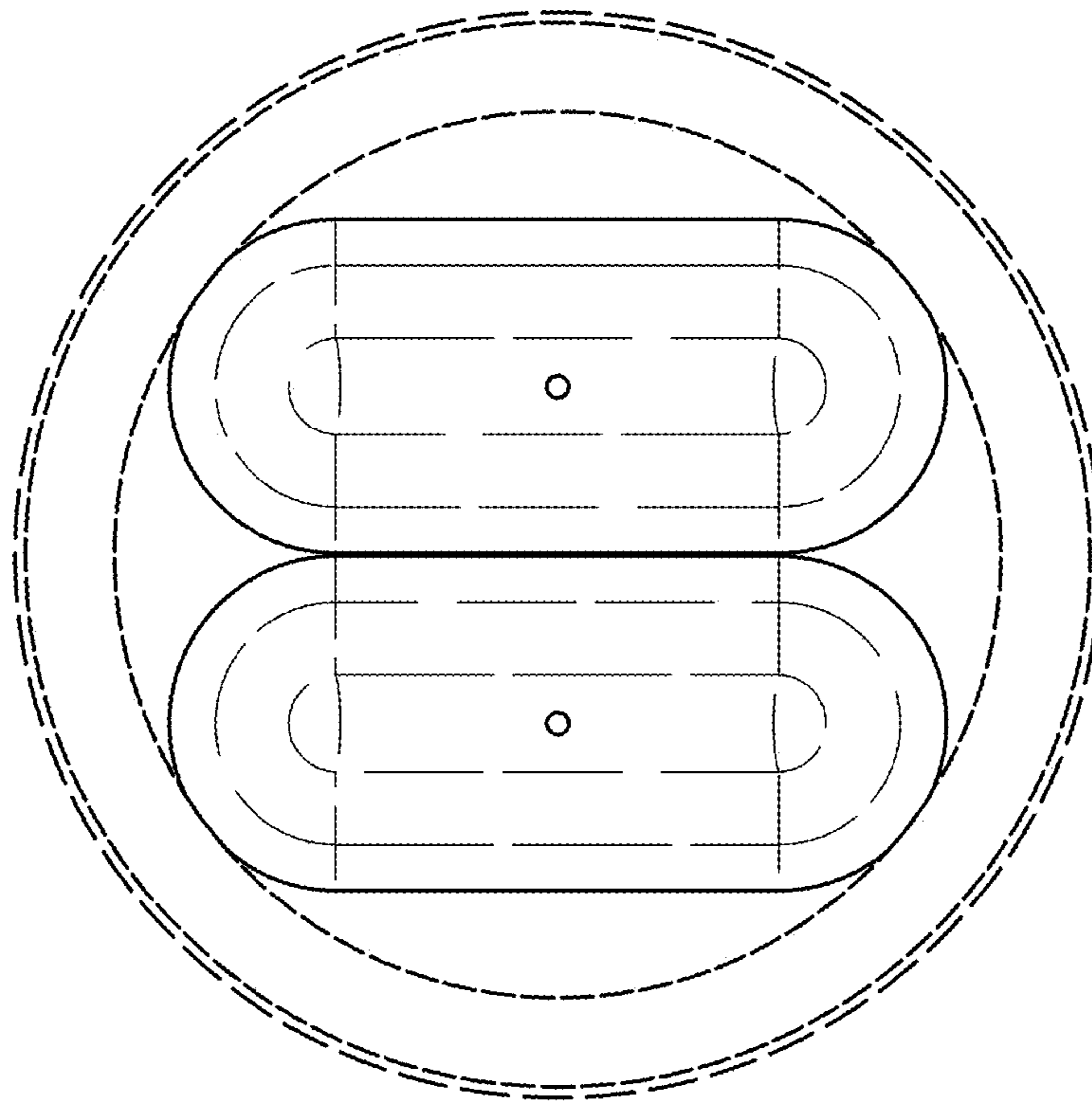
**FIG. 7**



**FIG. 8**



**FIG. 9**



**FIG. 10**