



US00D951021S

(12) **United States Design Patent**  
**Carrier**

(10) **Patent No.:** **US D951,021 S**

(45) **Date of Patent:** **\*\* May 10, 2022**

(54) **FILTER FOR DEEP FRYER**

FOREIGN PATENT DOCUMENTS

(71) Applicant: **9374-7939 QUÉBEC INC.**, Thetford Mines (CA)

CA 1213746 A 11/1986  
CA 1231244 A 1/1988

(Continued)

(72) Inventor: **Patrick Carrier**, Thetford Mines (CA)

*Primary Examiner* — S. Bryan Reinholdt, Jr.

(73) Assignee: **9374-7939 QUÉBEC INC.**, Quebec (CA)

(74) *Attorney, Agent, or Firm* — Volpe Koenig

(\*\*) Term: **15 Years**

(57) **CLAIM**

The ornamental design for a filter for deep fryer, as shown and described.

(21) Appl. No.: **35/508,421**

(22) Filed: **Mar. 25, 2019**

**DESCRIPTION**

(80) **Hague Agreement Data**

Int. Filing Date: **Mar. 25, 2019**

Figure 1.1 is a perspective view of a filter for a deep fryer in accordance with a first embodiment showing my new design;

Int. Reg. No.: **DM/205335**

Figure 1.2 is a front elevation view thereof;

Int. Reg. Date: **Mar. 25, 2019**

Figure 1.3 is a rear elevation view thereof;

Int. Reg. Pub. Date: **Jan. 31, 2020**

Figure 1.4 is a left-side elevation view thereof;

(51) **LOC (13) Cl.** ..... **07-99**

Figure 1.5 is a right-side elevation view thereof;

(52) **U.S. Cl.**

USPC ..... **D7/412**

Figure 1.6 is a top plan view thereof;

(58) **Field of Classification Search**

USPC ..... D7/354, 360, 361, 409, 412

Figure 1.7 is a bottom plan view thereof;

CPC .... A47J 37/1295; A47J 37/1223; B01D 35/28

Figure 1.8 is a perspective view thereof, in an extended configuration;

See application file for complete search history.

Figure 2.1 is a perspective view of a filter for a deep fryer in accordance with a second embodiment;

(56) **References Cited**

U.S. PATENT DOCUMENTS

- 3,363,541 A 1/1968 Anetsberger
- 3,653,337 A \* 4/1972 Hanson ..... A47J 37/1295  
425/394
- 3,937,136 A 2/1976 Cox
- 4,152,975 A 5/1979 Jones
- 4,160,043 A 7/1979 Stickle et al.
- 5,782,164 A 7/1998 Brintle
- D417,124 S \* 11/1999 Chen ..... 211/60.1
- 6,152,023 A 11/2000 Lihotzky-Vaupel

Figure 2.2 is a front elevation view thereof;

Figure 2.3 is a rear elevation view thereof;

Figure 2.4 is a left-side elevation view thereof;

Figure 2.5 is a right-side elevation view thereof;

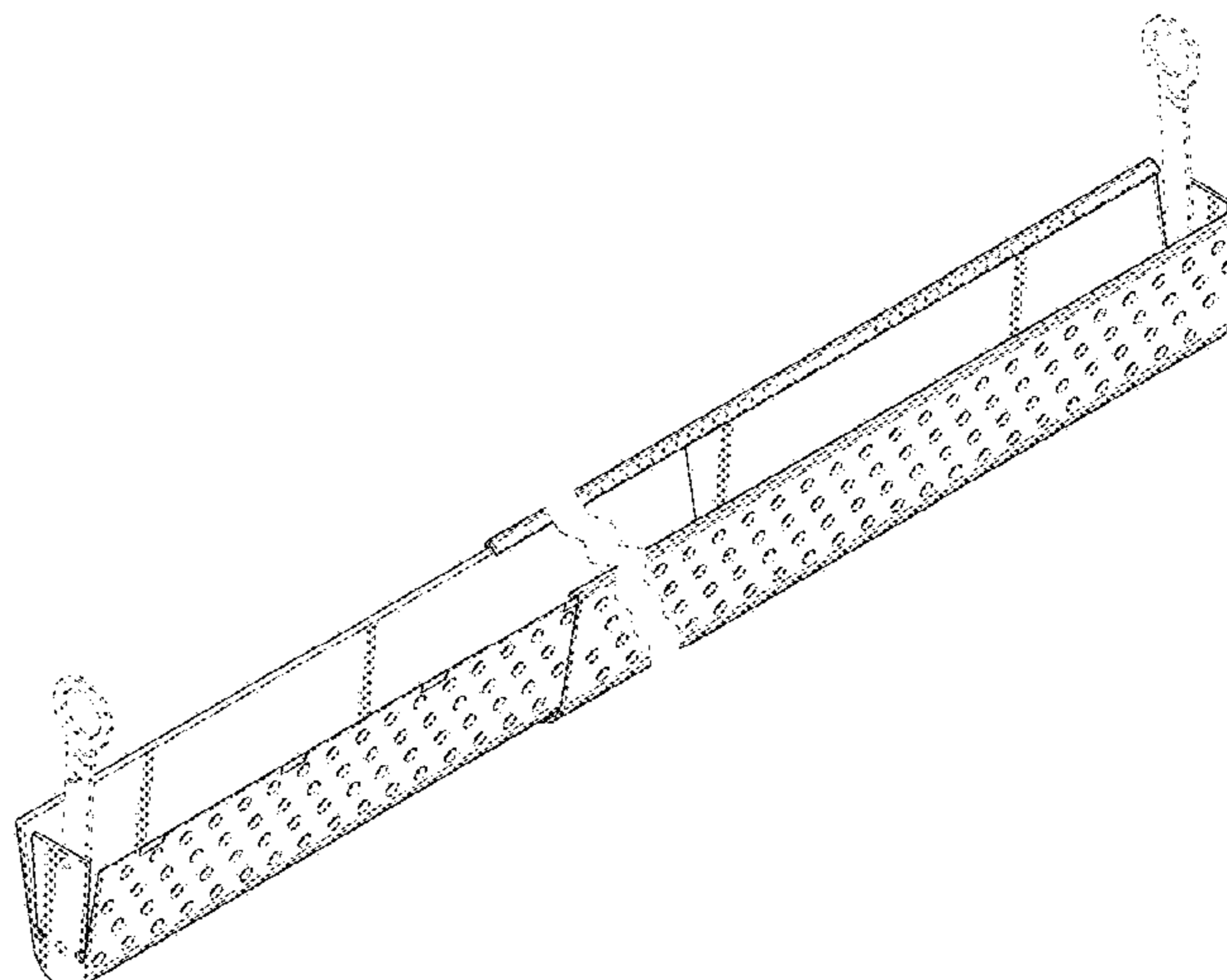
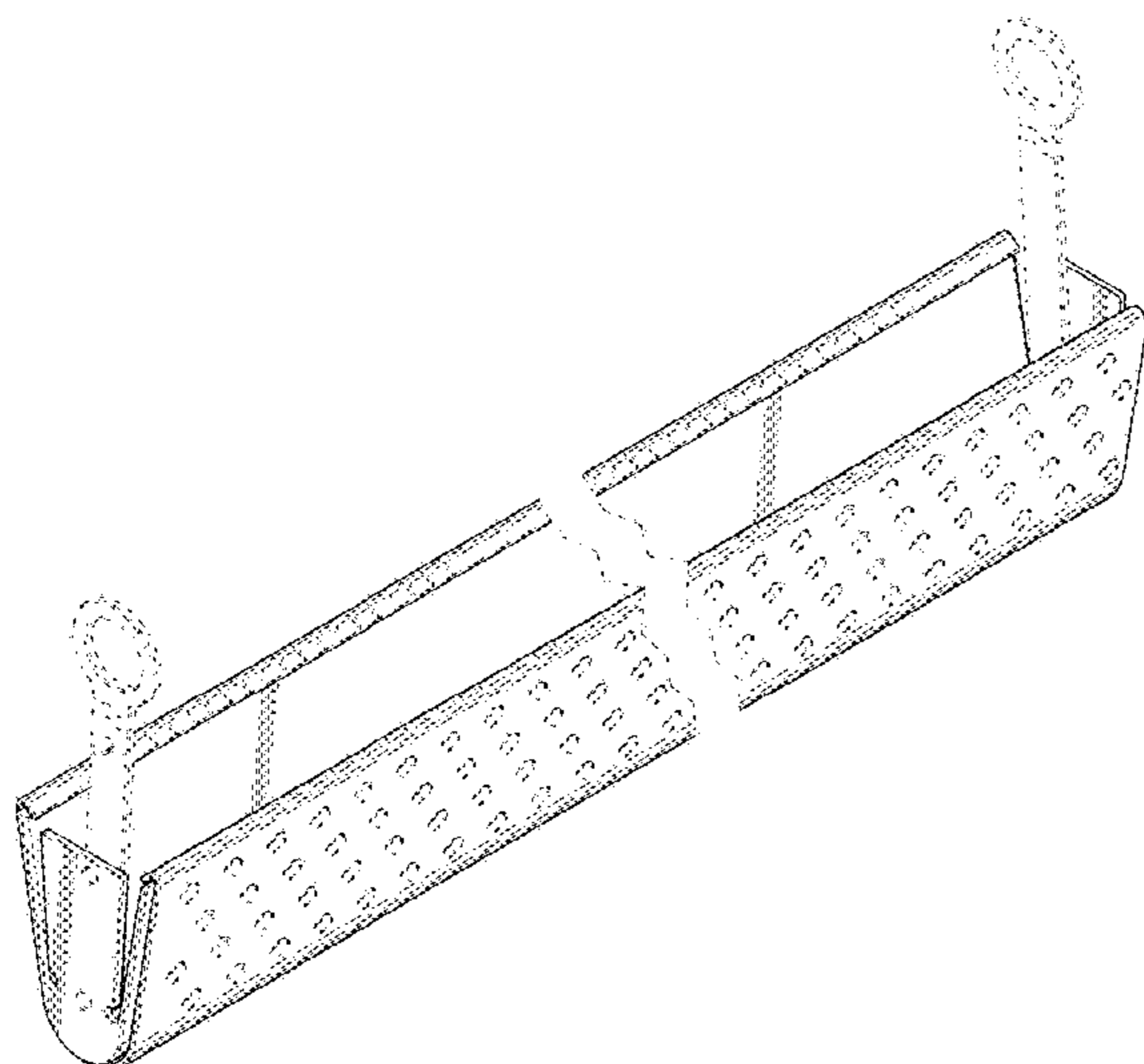
Figure 2.6 is a top plan view thereof;

Figure 2.7 is a bottom plan view thereof; and,

Figure 2.8 is a perspective view thereof, in an extended configuration.

The filter for deep fryer includes a symbolic break along its length drawn in broken lines. The area between the break lines forms no part of the claimed design. The broken lines and the areas within them depict portions of the filter for deep fryer that form no part of the claimed design.

**1 Claim, 12 Drawing Sheets**



(56)

**References Cited**

U.S. PATENT DOCUMENTS

6,364,120	B1	4/2002	Sanchez et al.	
6,658,992	B2	12/2003	Zelander	
D649,399	S *	11/2011	Johnson .....	D7/409
D752,913	S *	4/2016	Taylor .....	D7/361
D758,130	S *	6/2016	Lee .....	D7/409
9,867,383	B2 *	1/2018	Borovicka .....	A23B 4/0523
D816,404	S *	5/2018	Mirchandani .....	D7/409
D828,077	S *	9/2018	Mishan .....	D7/360
D834,889	S *	12/2018	Moon .....	D7/409
10,143,337	B1 *	12/2018	Ward .....	A47J 37/1257
D853,787	S *	7/2019	Moon .....	D7/409
D876,161	S *	2/2020	Covert .....	D7/409
D891,864	S *	8/2020	Covert .....	D7/409
2009/0107344	A1 *	4/2009	Bivens .....	A47J 37/1223 99/408
2009/0196968	A1 *	8/2009	Bratton .....	C11B 3/10 426/417
2010/0218689	A1	9/2010	Mickelson	
2011/0288319	A1 *	11/2011	Profughi .....	C11B 3/16 554/175
2013/0327225	A1	4/2013	McClean	
2017/0369343	A1 *	12/2017	Hom .....	B01D 35/28

FOREIGN PATENT DOCUMENTS

CA	2470074	A1	12/2004
CA	2576879	A1	2/2006
CA	2810917	A1	3/2012
EP	1842469	A1	10/2007
EP	2316316	A1	5/2011
FR	2846218	A1	4/2004

\* cited by examiner

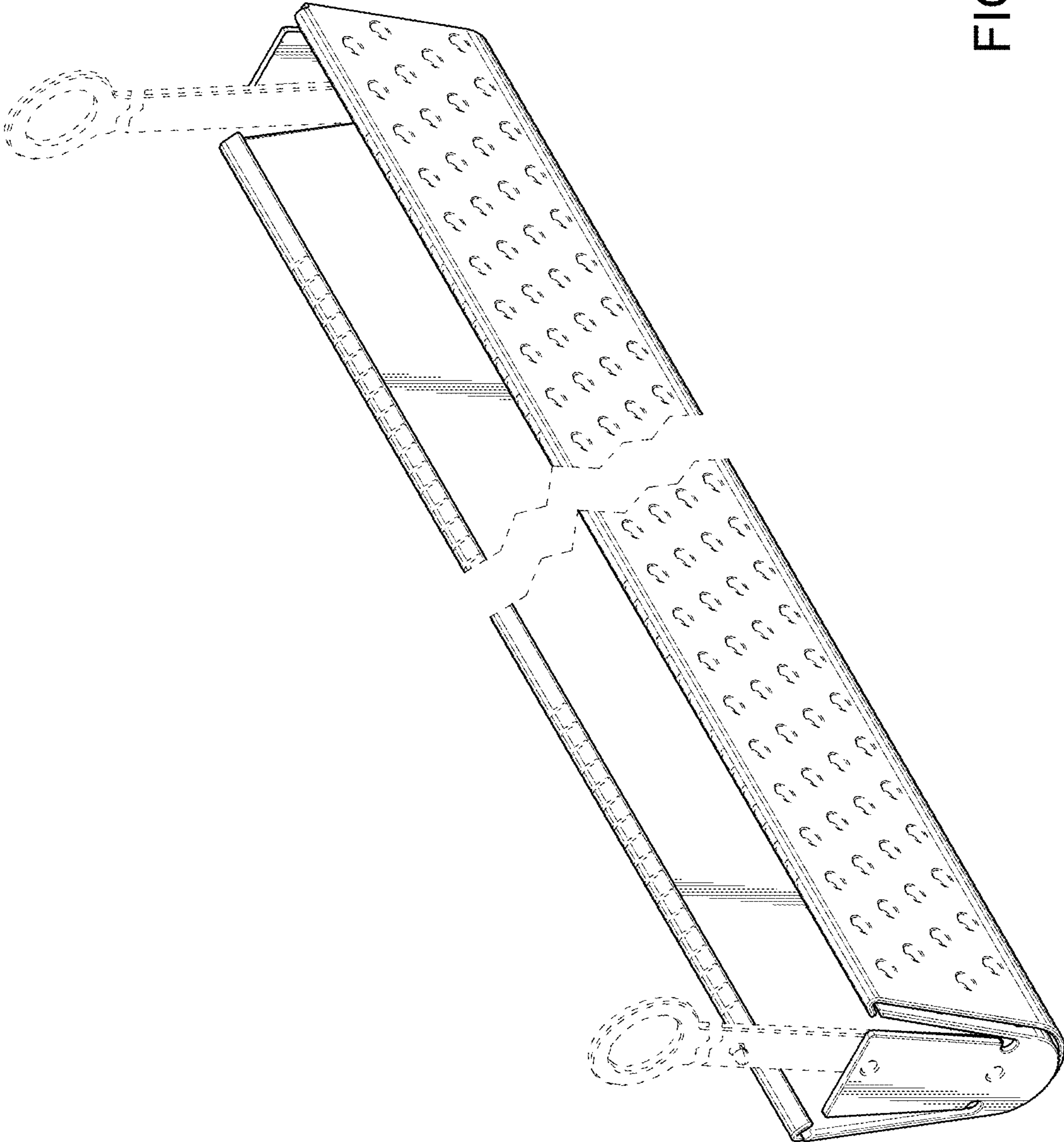


FIG. 1.1

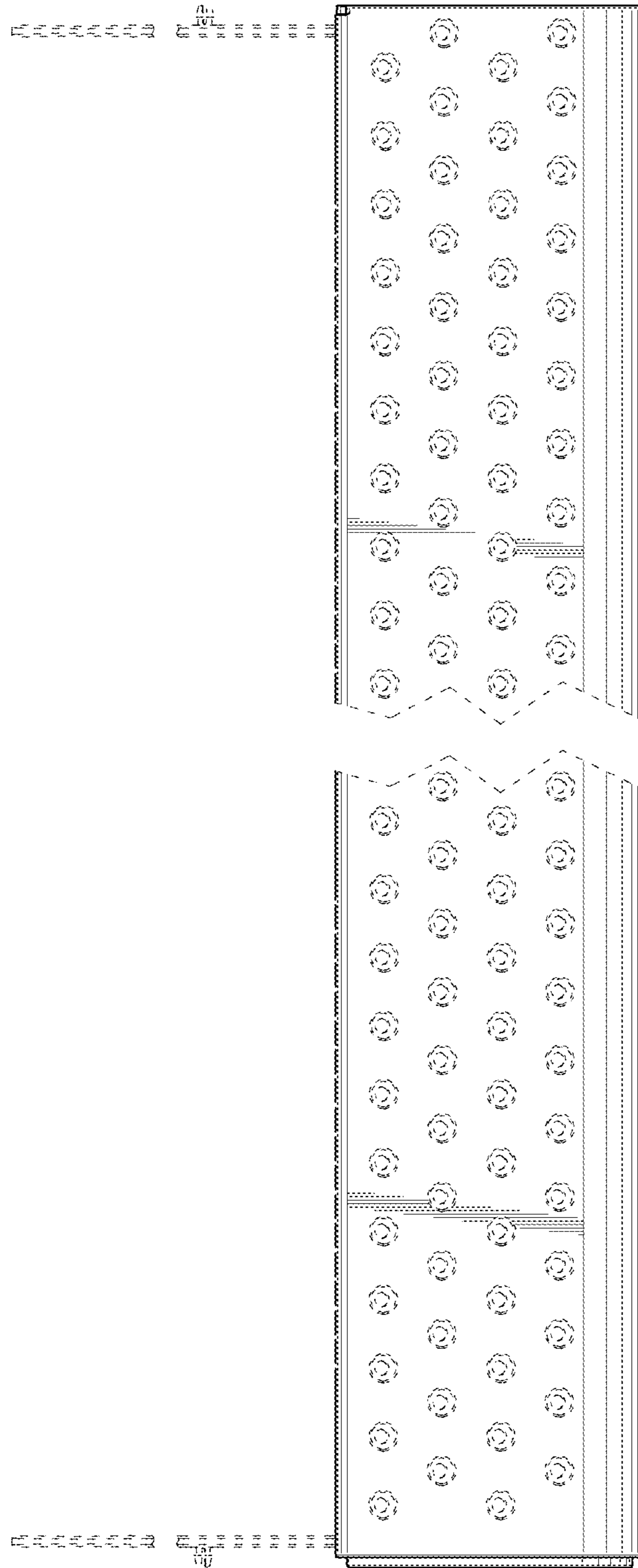


FIG. 1.2



FIG. 1.3

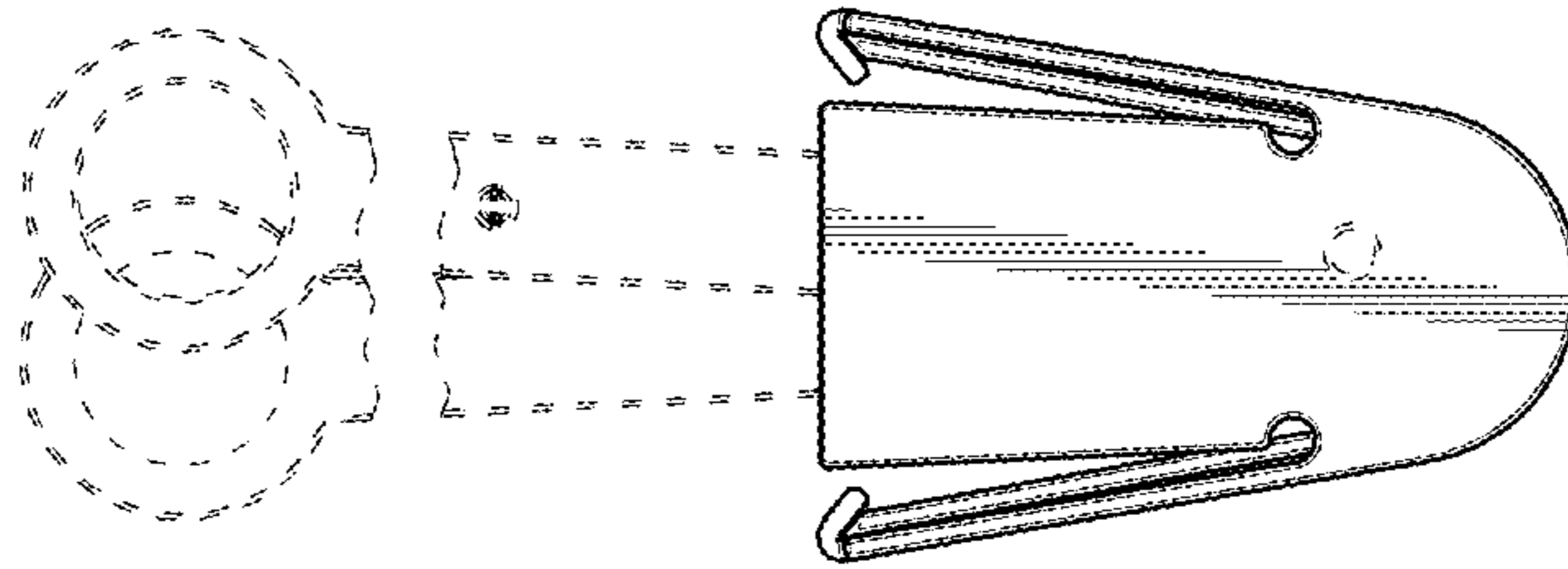


FIG. 1.5

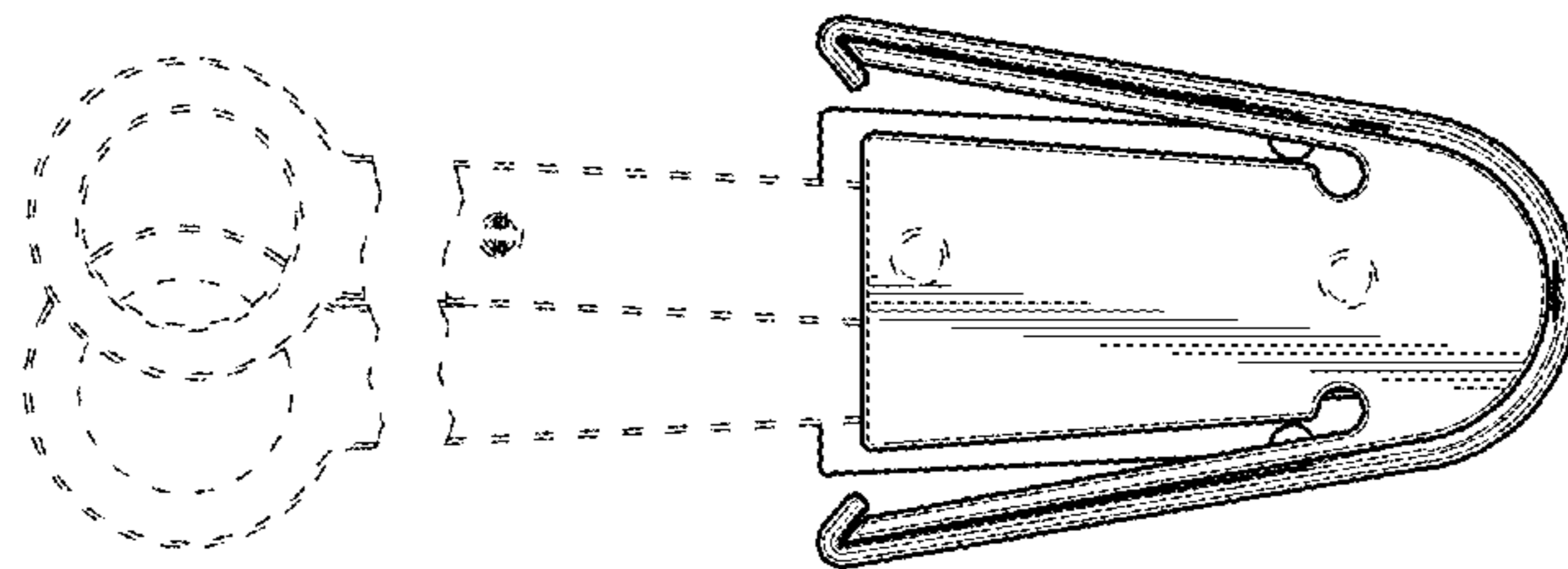


FIG. 1.4

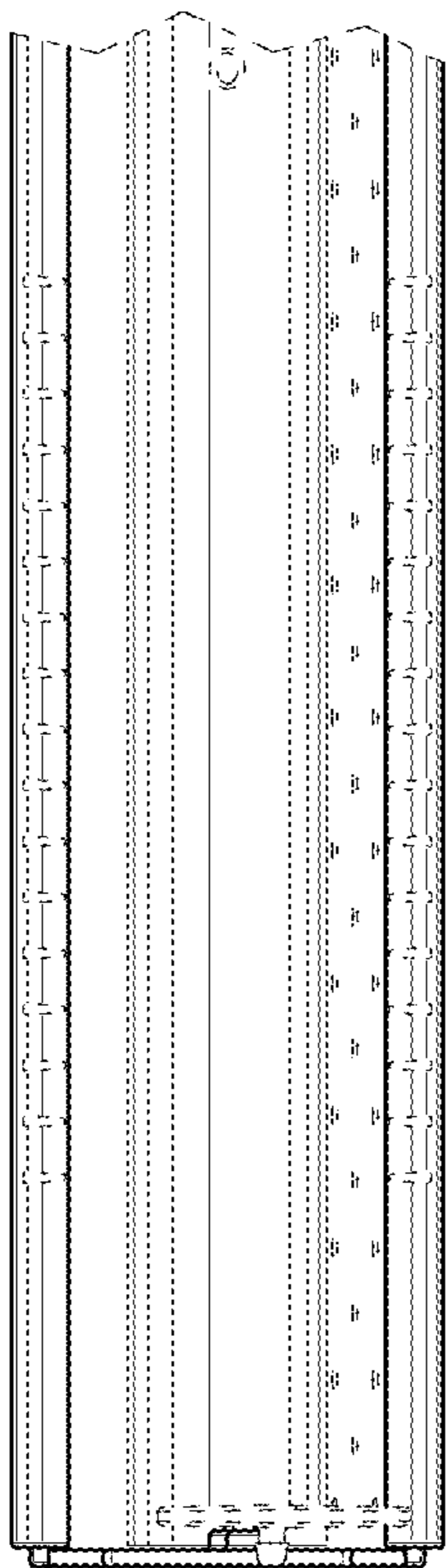
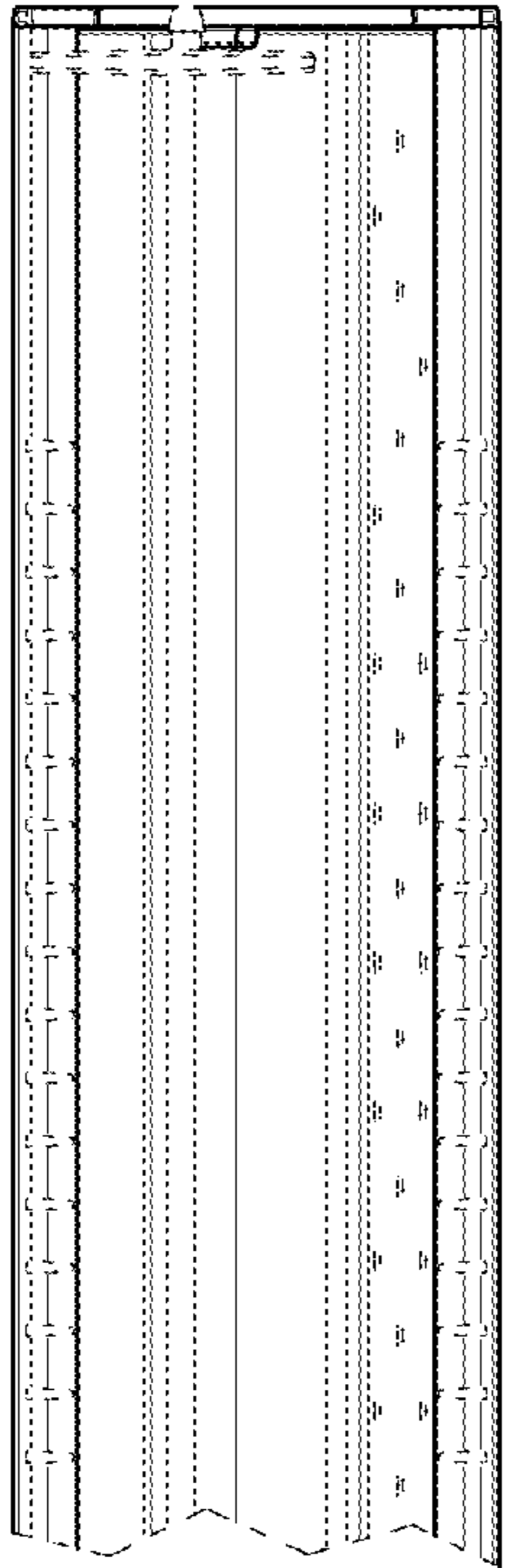


FIG. 1.6

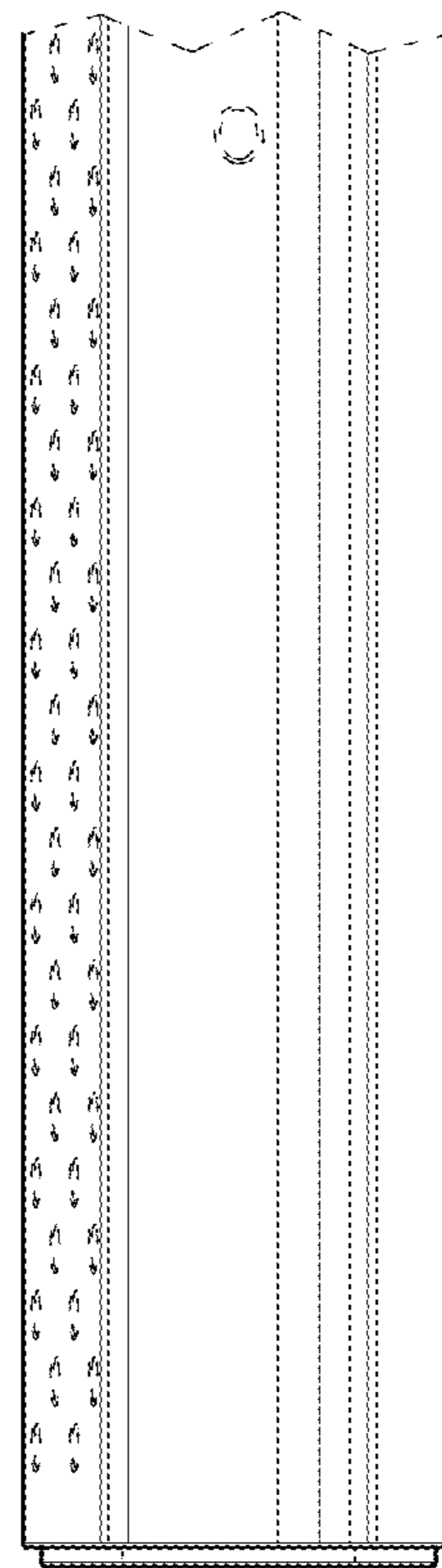
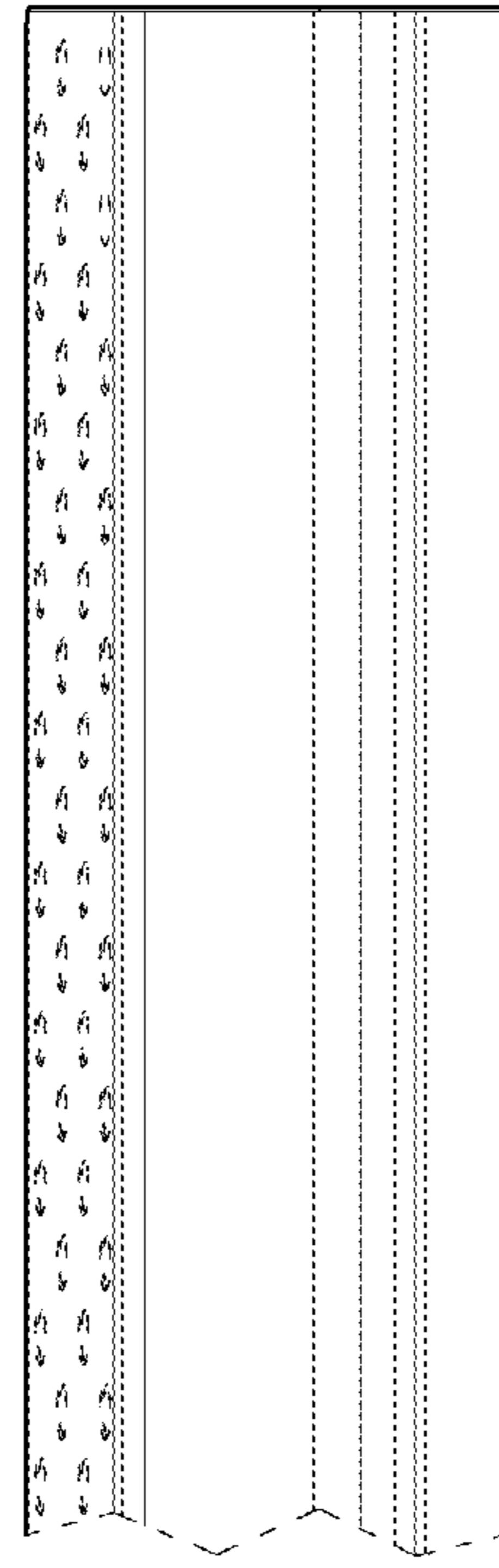


FIG. 1.7

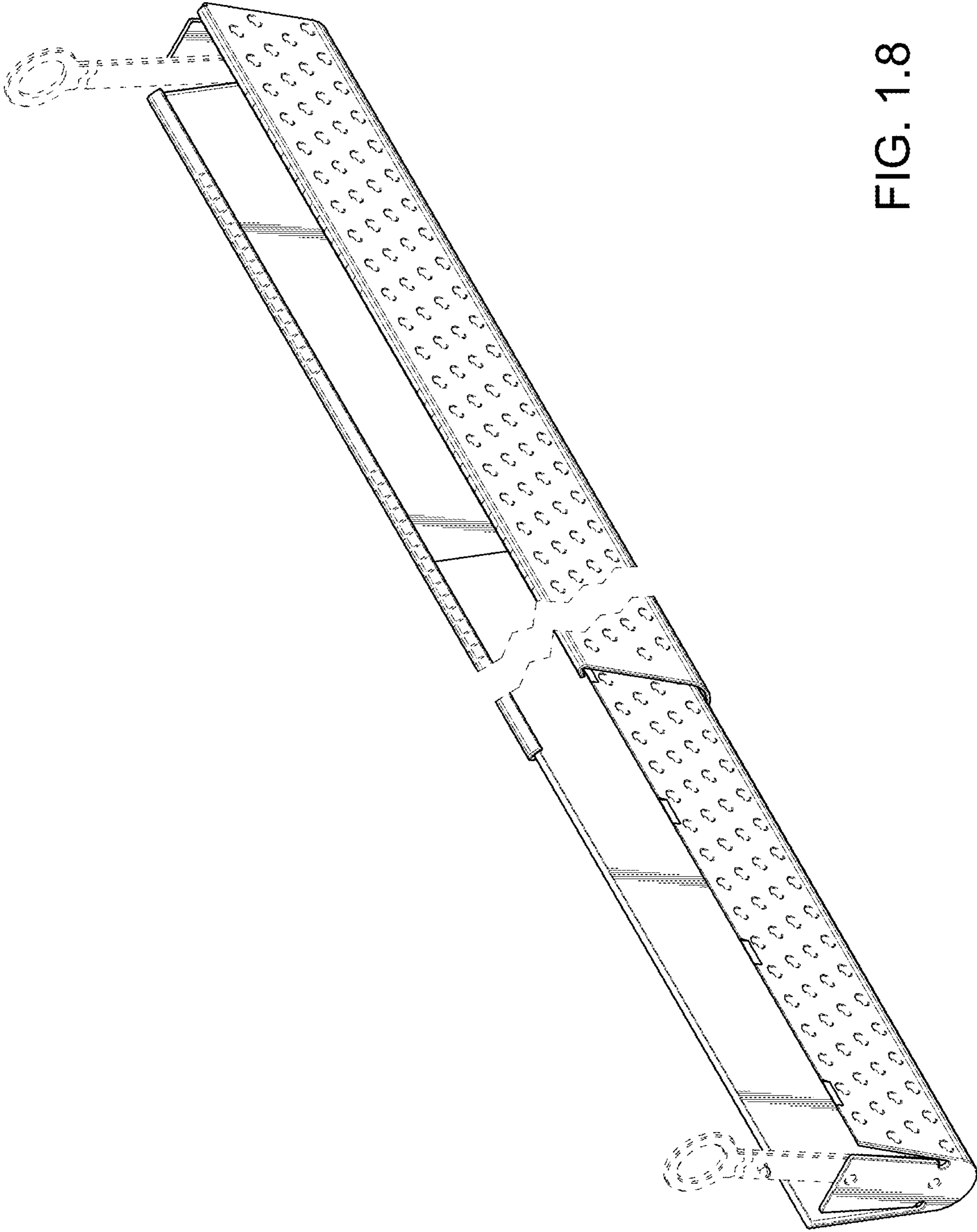


FIG. 1.8



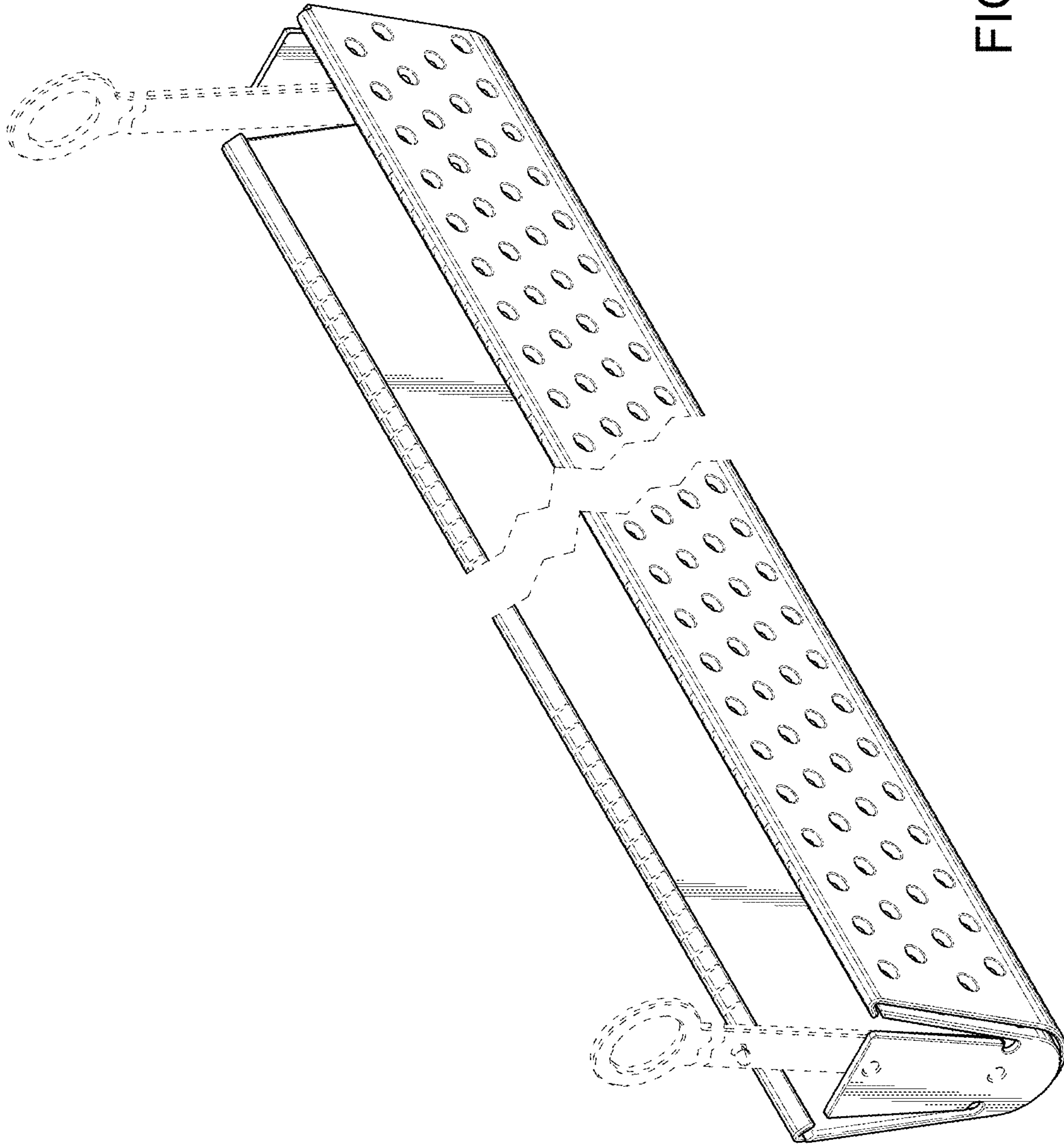


FIG. 2.1

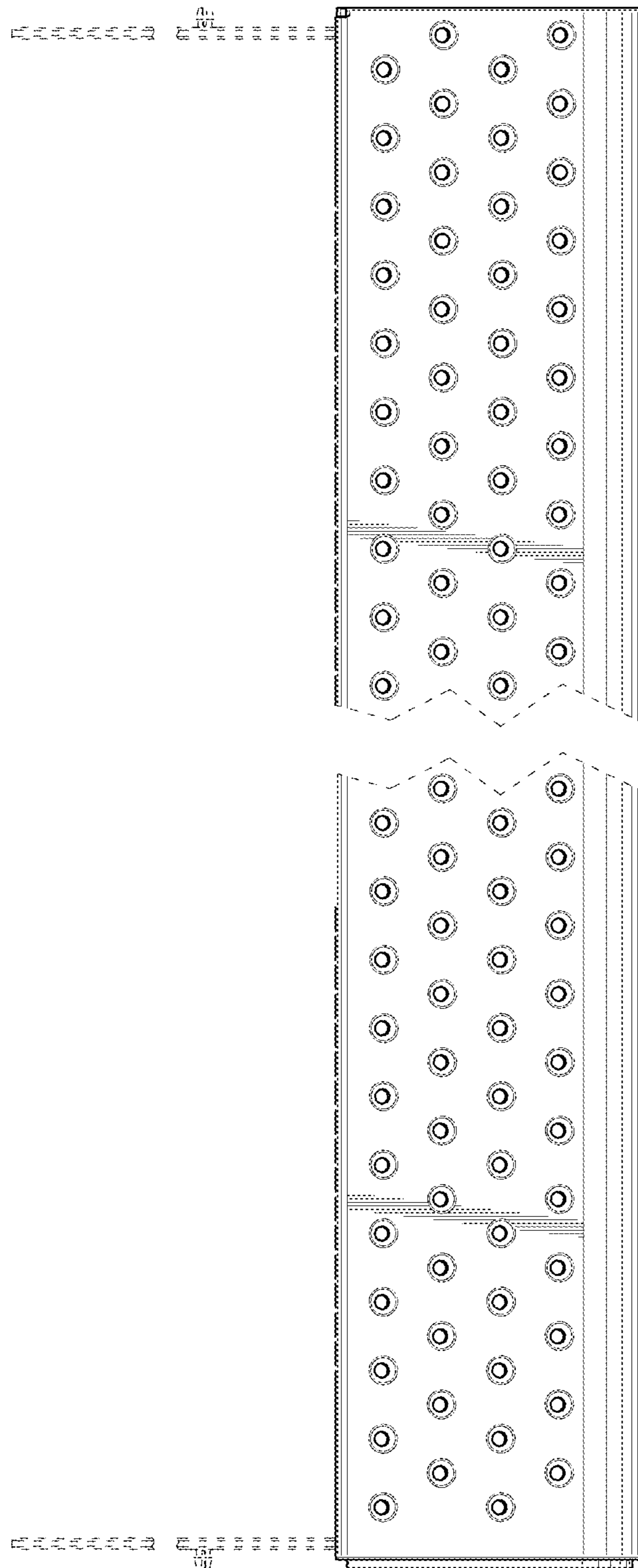


FIG. 2.2



FIG. 2.3

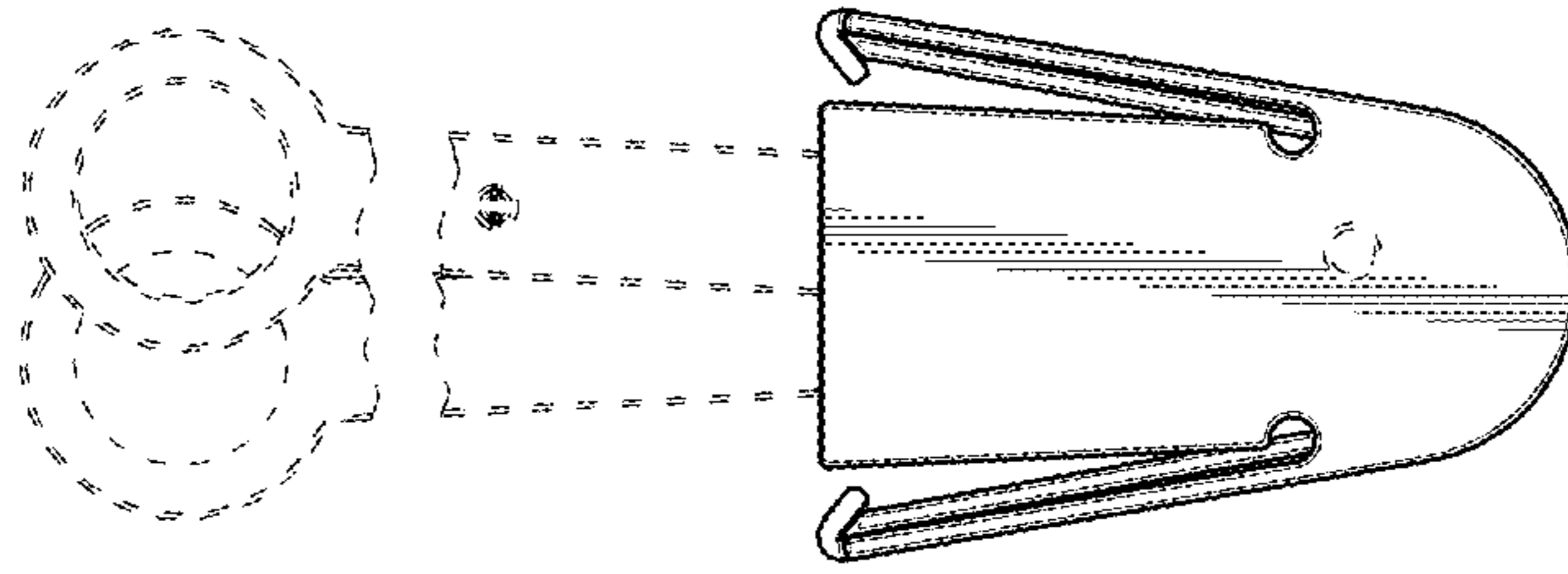


FIG. 2.5

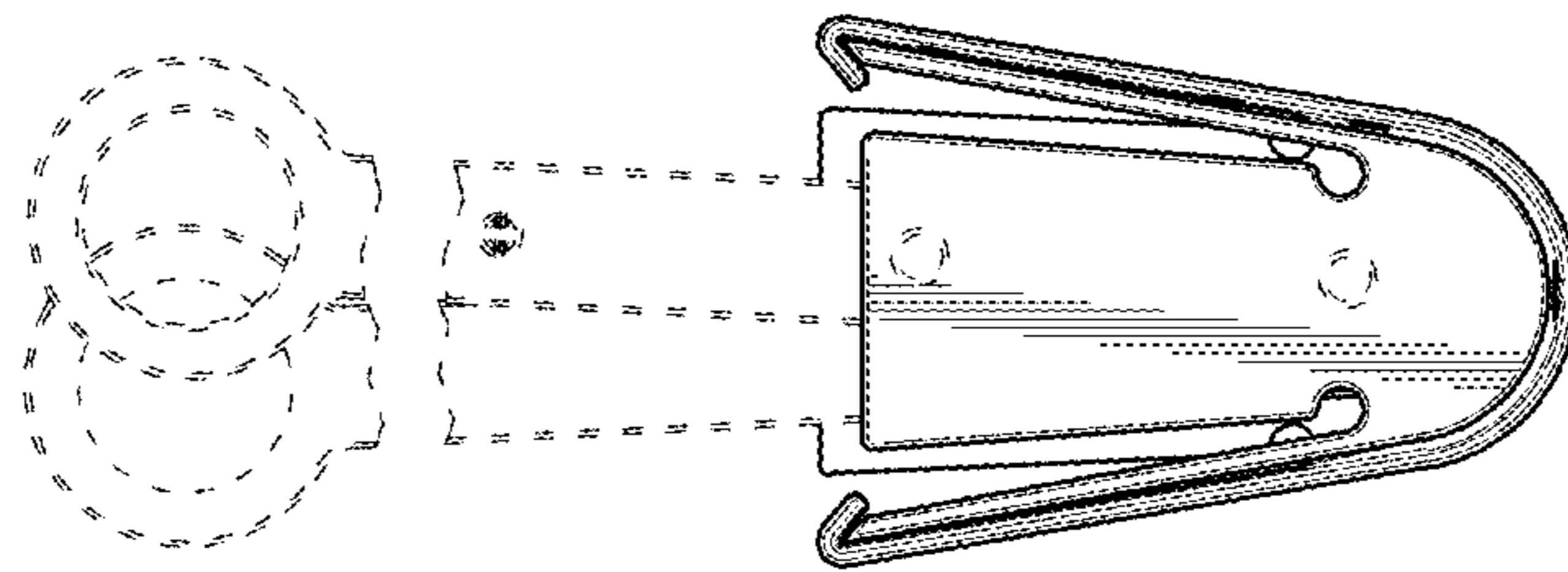


FIG. 2.4

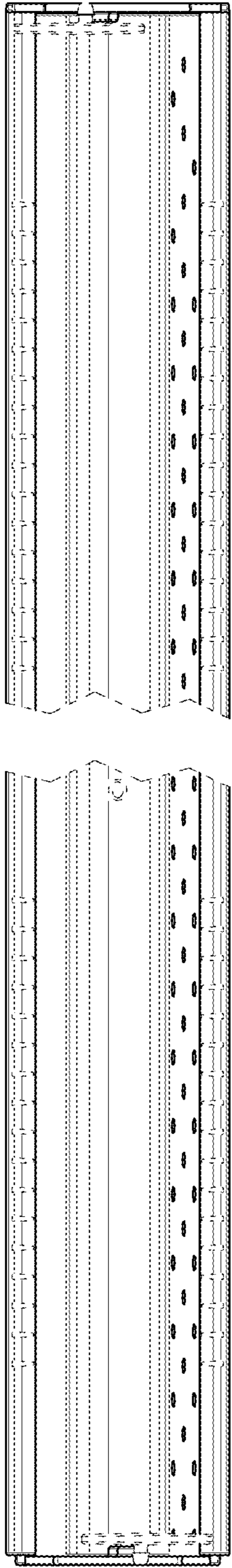


FIG. 2.6

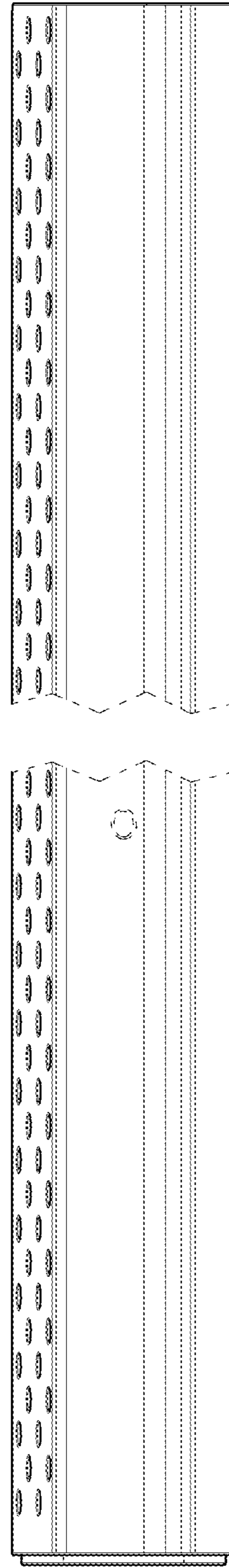


FIG. 2.7

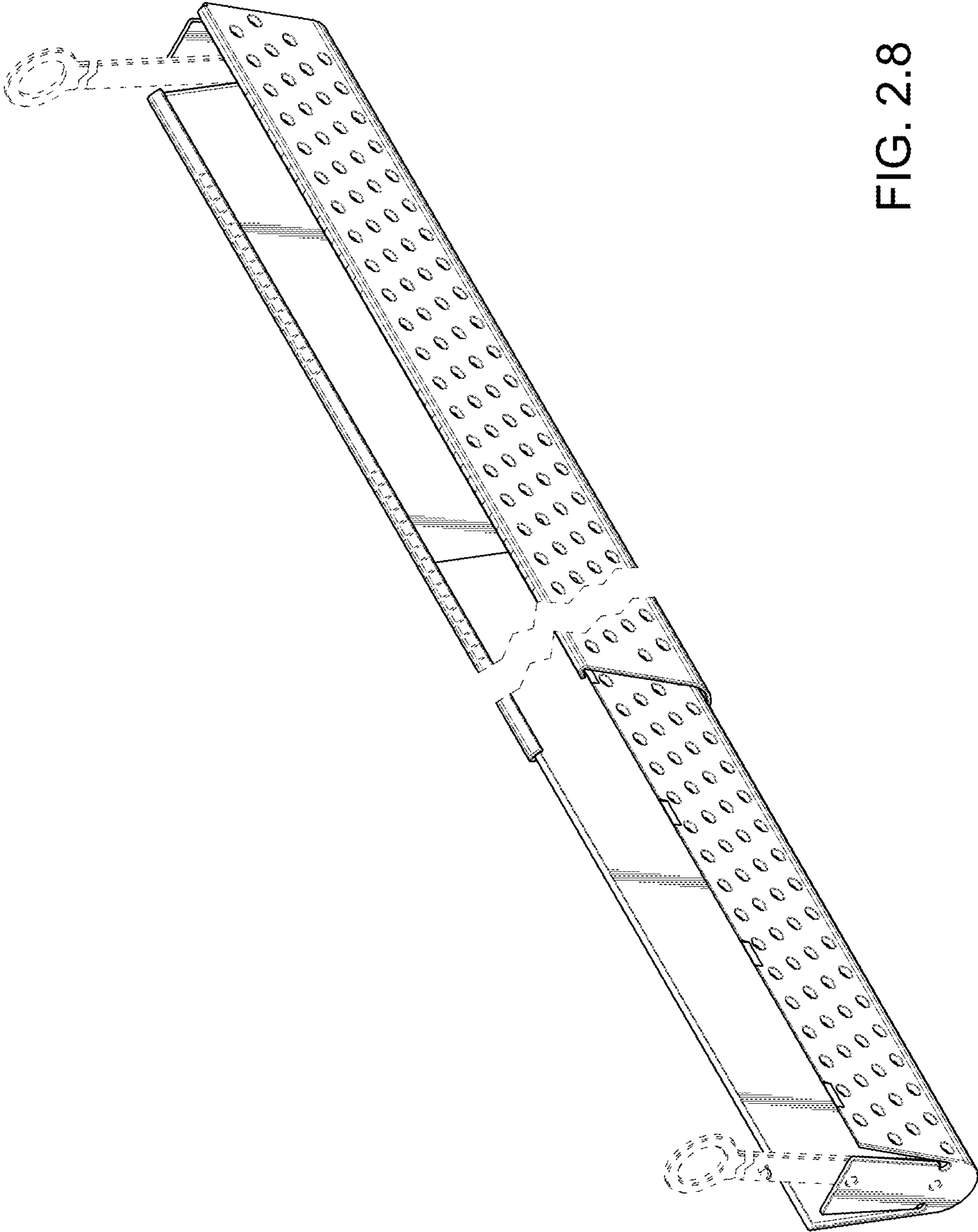


FIG. 2.8