



US00D951018S

(12) **United States Design Patent**  
**Choi et al.**

(10) **Patent No.:** **US D951,018 S**  
(45) **Date of Patent:** **\*\* May 10, 2022**

(54) **GAS OVEN**

(71) Applicant: **Samsung Electronics Co., Ltd.**,  
Suwon-si (KR)

(72) Inventors: **Hwanwoong Choi**, Suwon-si (KR);  
**Sunmin Lee**, Suwon-si (KR); **Jaemin Lee**, Suwon-si (KR)

(73) Assignee: **Samsung Electronics Co., Ltd.**,  
Suwon-si (KR)

(\*\*) Term: **15 Years**

(21) Appl. No.: **29/760,564**

(22) Filed: **Dec. 2, 2020**

(30) **Foreign Application Priority Data**

Aug. 26, 2020 (KR) ..... 30-2020-0040008

(51) **LOC (13) Cl.** ..... **07-02**

(52) **U.S. Cl.**  
USPC ..... **D7/406**

(58) **Field of Classification Search**  
USPC ..... D7/402–409, 332–337, 339–341,  
D7/346–349, 352, 354–355, 362–363,  
D7/338; D6/552  
CPC ..... F24C 15/16; F24C 15/12; F24C 15/10;  
F24C 7/083; F24C 3/082; F24C 3/085;  
A47J 37/07; A47J 37/0704  
See application file for complete search history.

(56) **References Cited**

**U.S. PATENT DOCUMENTS**

- 6,895,953 B2 \* 5/2005 Larsen ..... F24C 3/087  
126/41 R
- D513,463 S \* 1/2006 Wong ..... D7/406
- D538,582 S \* 3/2007 Kim ..... D7/340
- D541,577 S \* 5/2007 Kim ..... D7/340
- D542,079 S \* 5/2007 Kim ..... D7/340
- D560,955 S \* 2/2008 Shin ..... D7/340

- D560,956 S \* 2/2008 Shin ..... D7/346
- D560,959 S \* 2/2008 Shin ..... D7/348
- D564,281 S \* 3/2008 Kim ..... D7/340
- D578,823 S \* 10/2008 Kim ..... D7/340
- D610,863 S \* 3/2010 Kim ..... D7/340
- D612,210 S 3/2010 Baker et al.
- D612,678 S \* 3/2010 Baker ..... D7/405
- D623,889 S \* 9/2010 Kim ..... D7/340
- D646,921 S \* 10/2011 Kim ..... D7/340

(Continued)

**FOREIGN PATENT DOCUMENTS**

- KR 30-2005-0011028 1/2006
- KR 30-2014-0063823 6/2015
- KR 30-2015-0066226 7/2016

*Primary Examiner* — Sheryl Lane

*Assistant Examiner* — Nicole C Shiflet

(74) *Attorney, Agent, or Firm* — NSIP Law

(57) **CLAIM**

We claim the ornamental design for a gas oven, as shown and described.

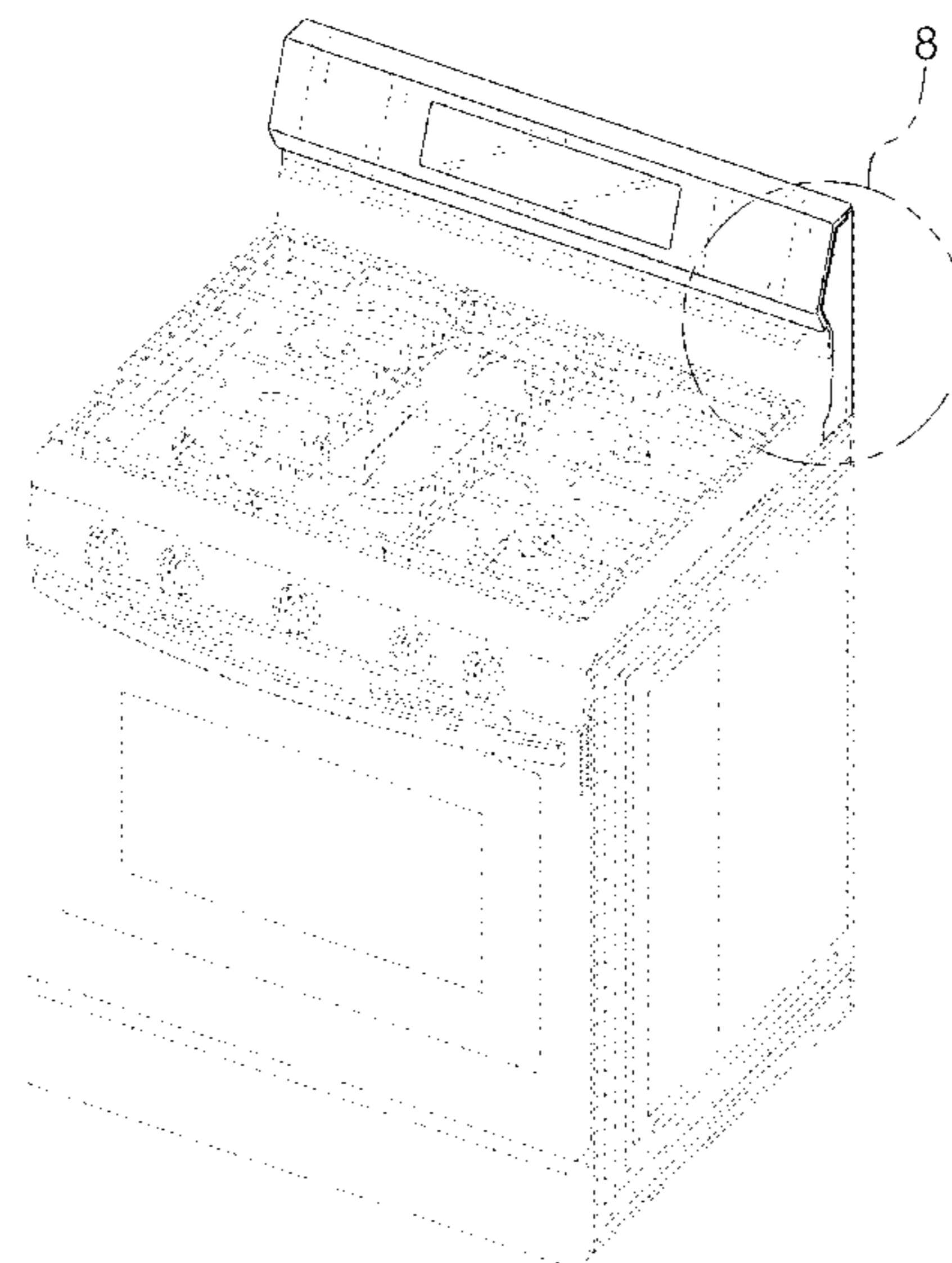
**DESCRIPTION**

FIG. 1 is a front perspective view of a gas oven showing our new design;  
FIG. 2 is a front view thereof;  
FIG. 3 is a rear view thereof;  
FIG. 4 is a left-side view thereof;  
FIG. 5 is a right-side view thereof;  
FIG. 6 is a top view thereof;  
FIG. 7 is a bottom view thereof; and,  
FIG. 8 is an enlarged view of the encircled portion 8 in FIG. 1.

The broken lines in the figures depict portions of the gas oven which form no part of the claimed design.

The dot-dot-dash broken lines encircling portions of the claimed design that are illustrated in enlargements form no part of the claimed design.

**1 Claim, 8 Drawing Sheets**



(56)

**References Cited**

U.S. PATENT DOCUMENTS

D653,900	S *	2/2012	Kim .....	D7/340
D655,128	S *	3/2012	Kim .....	D7/340
D670,527	S *	11/2012	Kim .....	D7/340
8,424,450	B2 *	4/2013	Jeon .....	F24C 15/10 99/401
D685,602	S	7/2013	Lee	
D697,358	S *	1/2014	Kim .....	D7/340
D700,469	S *	3/2014	Reay .....	D7/340
D786,608	S *	5/2017	Cho .....	D7/340
D786,609	S *	5/2017	Cho .....	D7/340
D787,254	S *	5/2017	Cho .....	D7/340
D789,729	S *	6/2017	Lee .....	D7/340
D793,149	S *	8/2017	Lee .....	D7/340
D794,998	S *	8/2017	Cho .....	D7/340
D862,167	S *	10/2019	Choi .....	D7/406
D871,823	S *	1/2020	Choi .....	D7/340
D918,638	S *	5/2021	Kwon .....	D7/340
D918,639	S *	5/2021	Ryu .....	D7/340
D918,641	S *	5/2021	Kim .....	D7/340
D919,349	S *	5/2021	Ryu .....	D7/340
11,029,033	B2 *	6/2021	Je .....	B21D 53/74
D928,546	S *	8/2021	Han .....	D7/340
D929,788	S *	9/2021	Kim .....	D7/340
2017/0059183	A1 *	3/2017	Chun .....	F24C 15/08

\* cited by examiner

FIG. 1

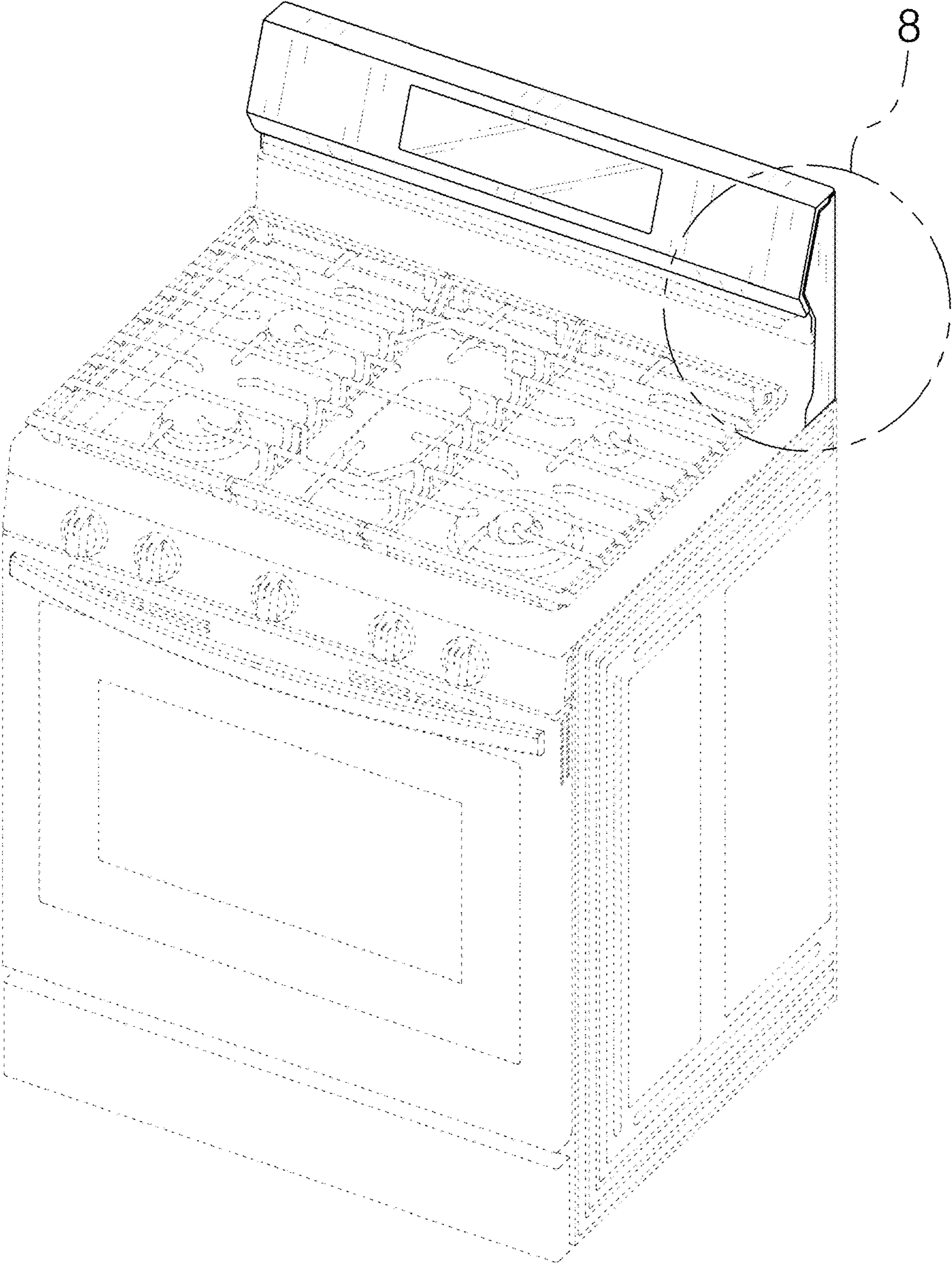


FIG. 2

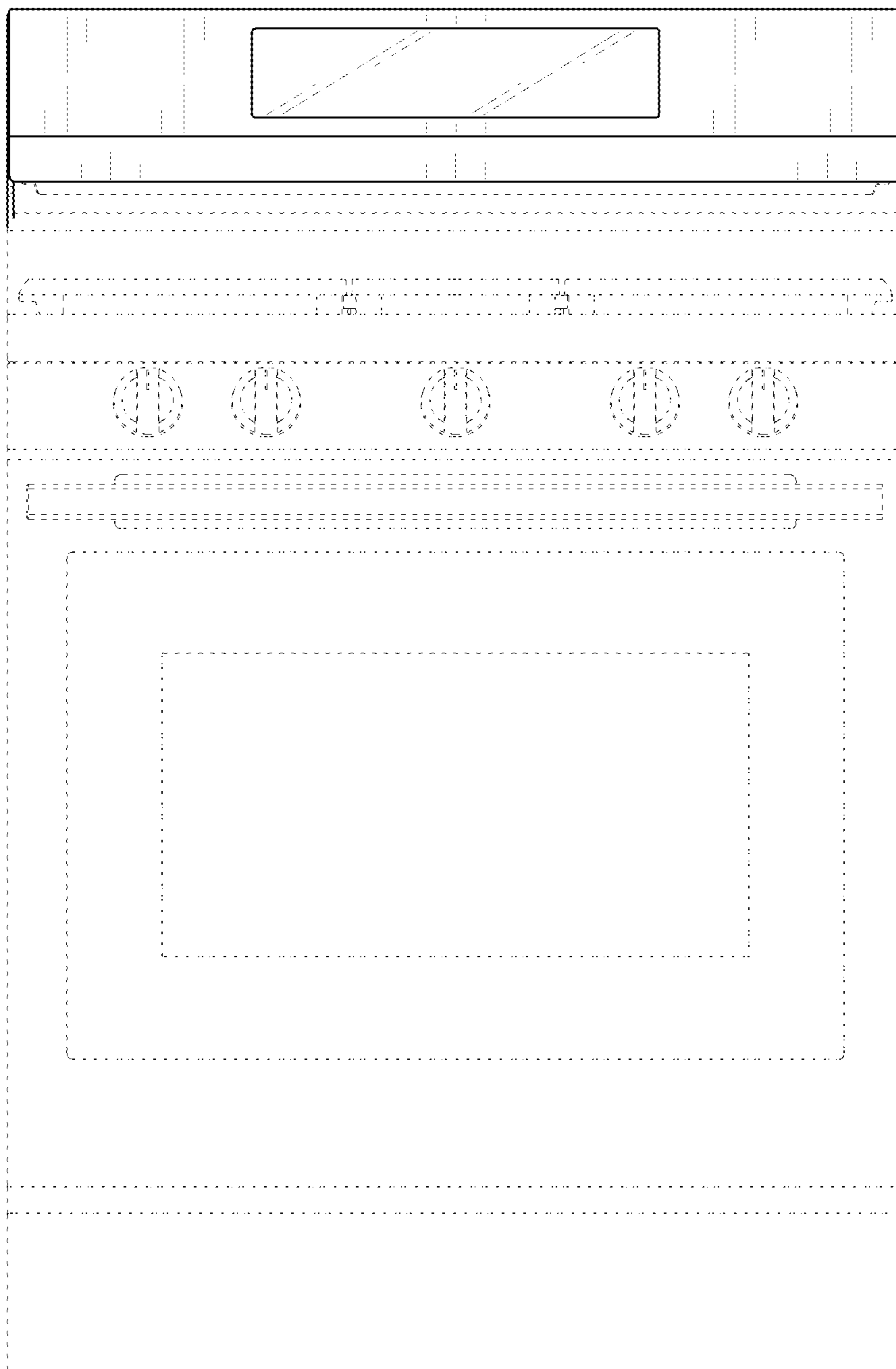


FIG. 3

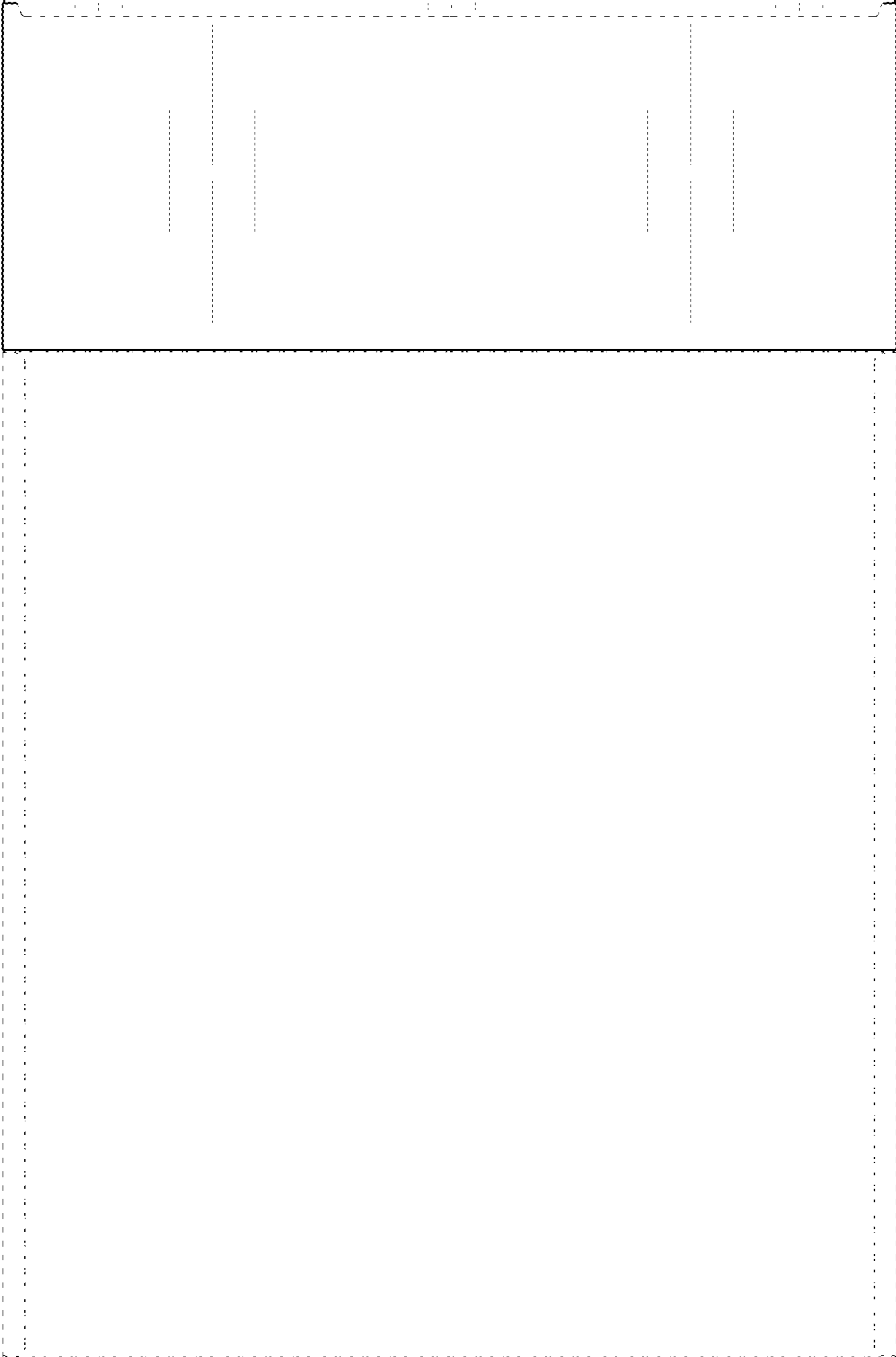


FIG. 4

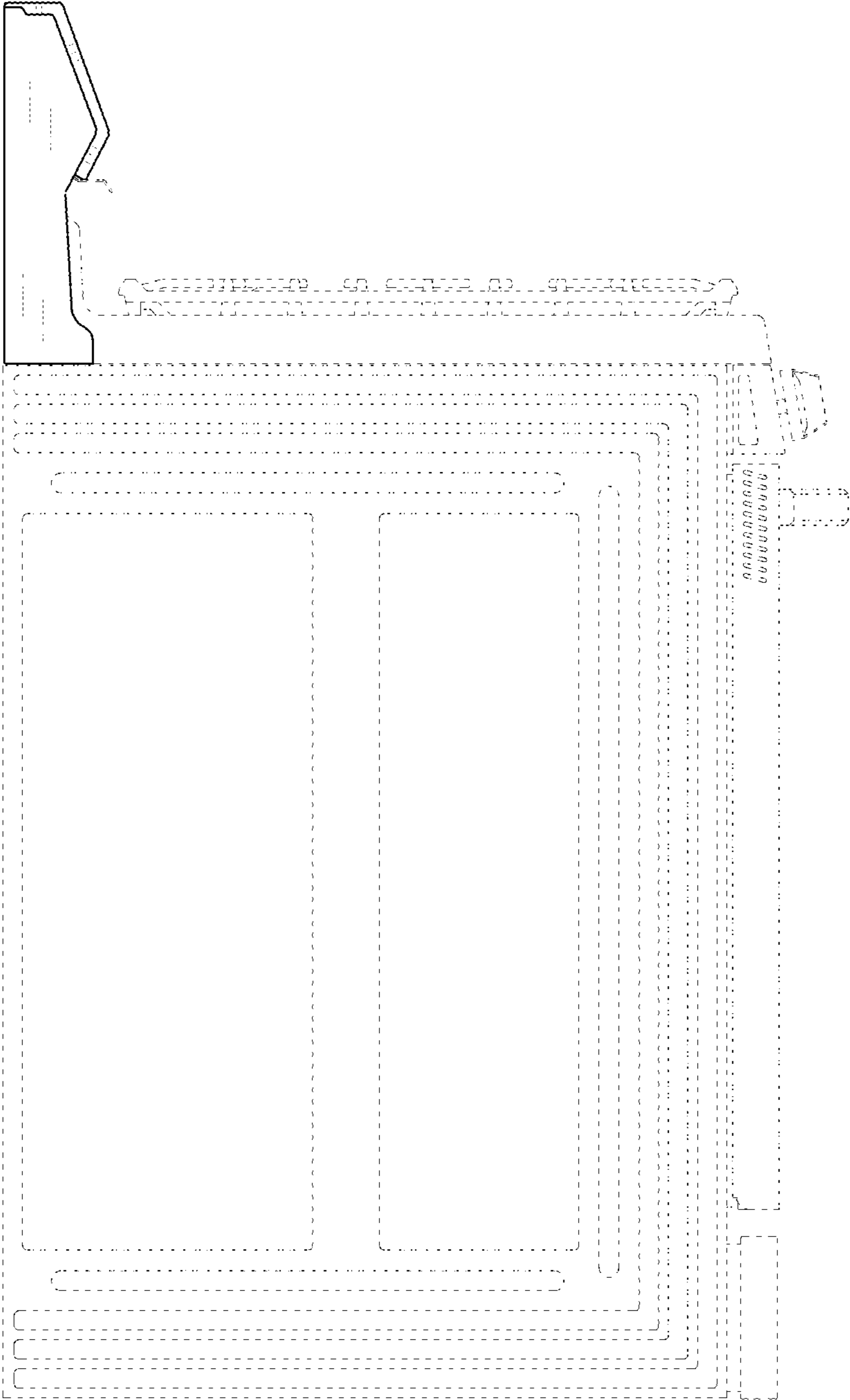


FIG. 5

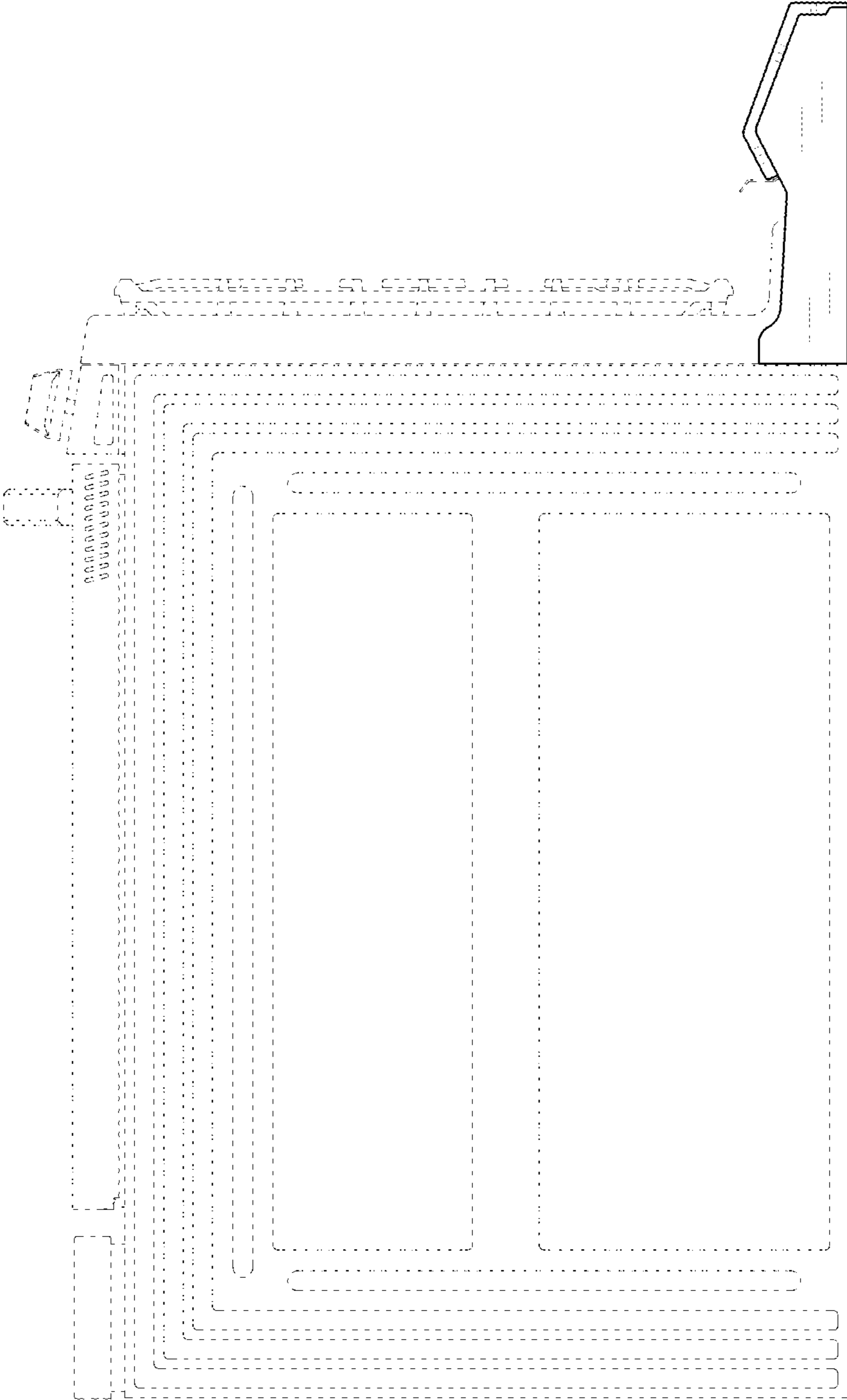


FIG. 6

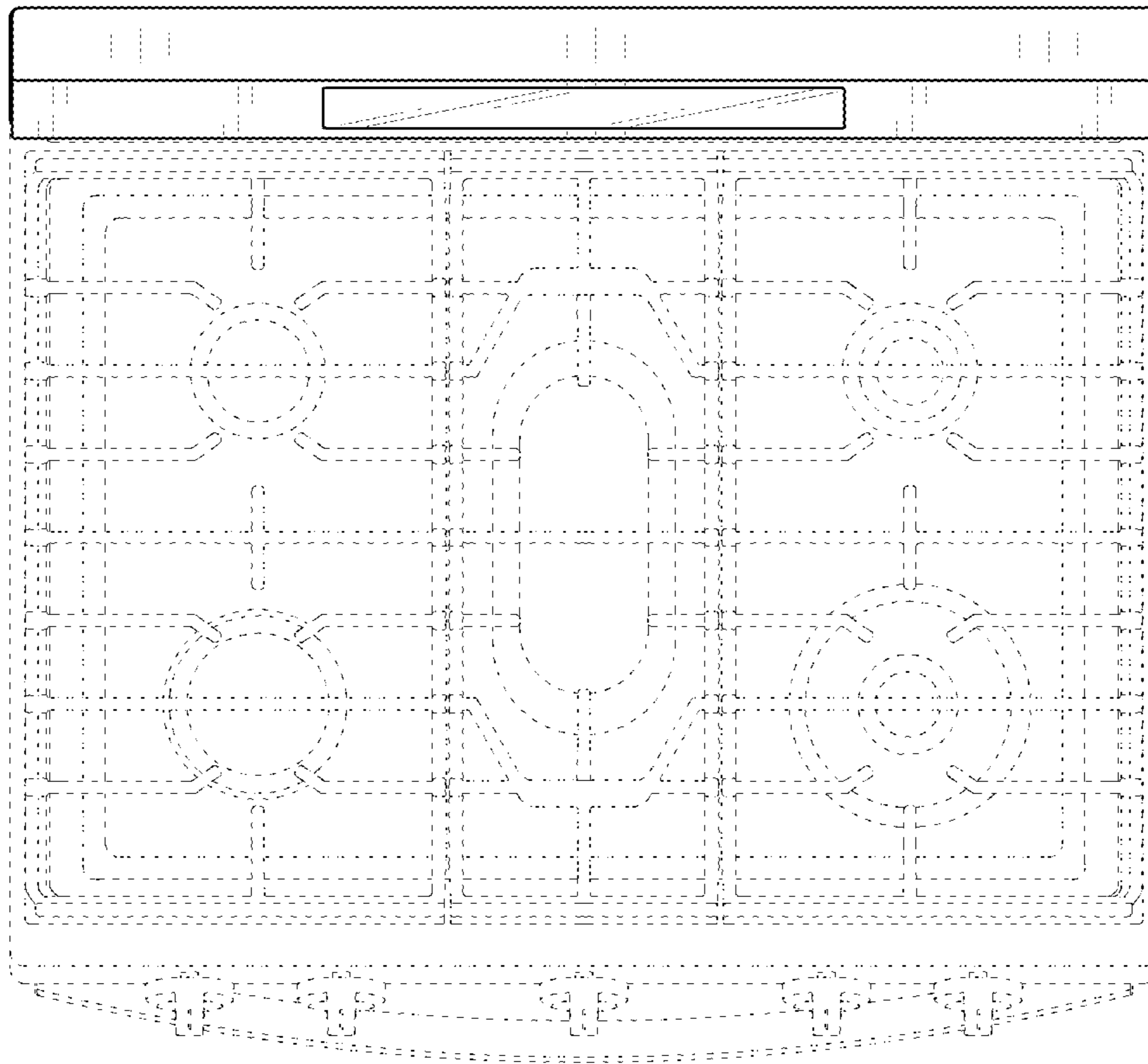




FIG. 7

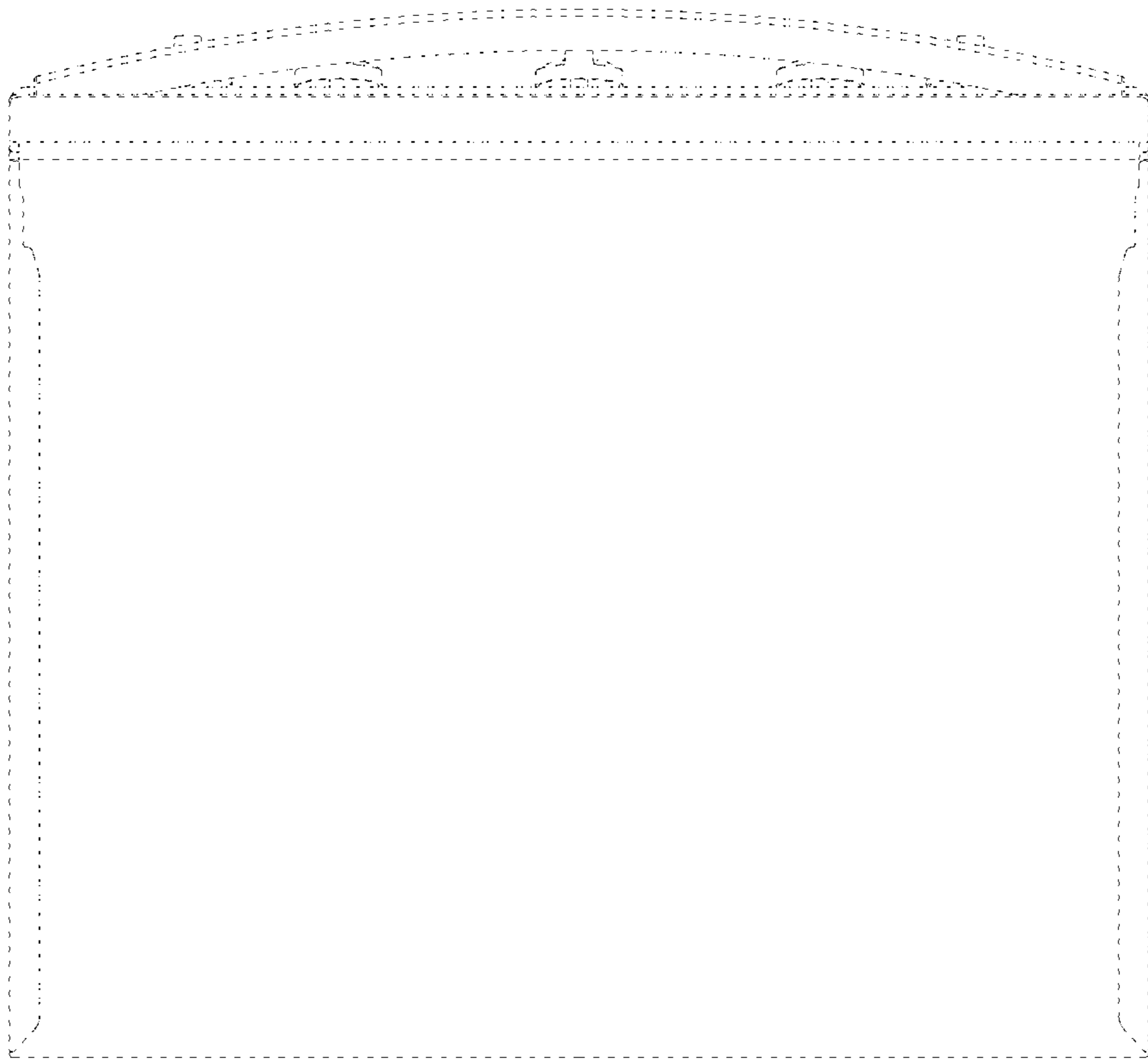


FIG. 8

