



US00D951017S

(12) **United States Design Patent** (10) **Patent No.:** **US D951,017 S**  
**Lira-Nunez et al.** (45) **Date of Patent:** **\*\* May 10, 2022**

(54) **GRILL SHROUD**  
(71) Applicant: **Weber-Stephen Products LLC**,  
Palatine, IL (US)  
(72) Inventors: **Carmen O. Lira-Nunez**, Downers  
Grove, IL (US); **Mark Richard Pavel**,  
Lisle, IL (US); **Anton Kalisiak**,  
Palatine, IL (US)

D504,048 S 4/2005 Joss et al.  
D512,268 S 12/2005 Pai  
D527,947 S 9/2006 Pai  
D554,944 S 11/2007 Wood  
D557,006 S 12/2007 Chau et al.  
D557,066 S \* 12/2007 Chau ..... D7/402  
D557,068 S \* 12/2007 Lee ..... D7/402  
D557,558 S \* 12/2007 Chau ..... D7/402

(Continued)

(73) Assignee: **WEBER-STEPHEN PRODUCTS LLC**, Palatine, IL (US)

(\*\*) Term: **15 Years**

(21) Appl. No.: **29/773,421**

(22) Filed: **Mar. 9, 2021**

**Related U.S. Application Data**

(60) Continuation of application No. 29/723,201, filed on Feb. 5, 2020, now Pat. No. Des. 915,140, which is a division of application No. 29/619,290, filed on Sep. 28, 2017, now Pat. No. Des. 877,564.

(51) **LOC (13) Cl.** ..... **07-02**

(52) **U.S. Cl.**  
USPC ..... **D7/405**

(58) **Field of Classification Search**  
USPC ..... D7/402-411, 331-341, 346-349,  
D7/352-353, 362-367, 357, 359, 368,  
D7/388, 389  
CPC .... A47J 37/07; A47J 37/0704; A47J 37/0763;  
A21D 13/47; A21B 3/131; F24C 3/082;  
F24C 3/085  
See application file for complete search history.

(56) **References Cited**

**U.S. PATENT DOCUMENTS**

D494,009 S \* 8/2004 Joss ..... D7/402  
D494,413 S \* 8/2004 Joss ..... D7/402  
D497,284 S 10/2004 Pai

**OTHER PUBLICATIONS**

Canadian Intellectual Property Office, "Industrial Design Certificate of Registration," issued in connection with Canadian Design Registration No. 179787, dated Feb. 6, 2019, 17 pages.

(Continued)

*Primary Examiner* — Sheryl Lane

*Assistant Examiner* — Nicole C Shiflet

(74) *Attorney, Agent, or Firm* — Hanley, Flight & Zimmerman LLC

(57) **CLAIM**

The ornamental design for a grill shroud, as shown and described.

**DESCRIPTION**

FIG. 1 is a perspective view of a grill shroud of the present invention.

FIG. 2 is a top view of the grill shroud of the present invention.

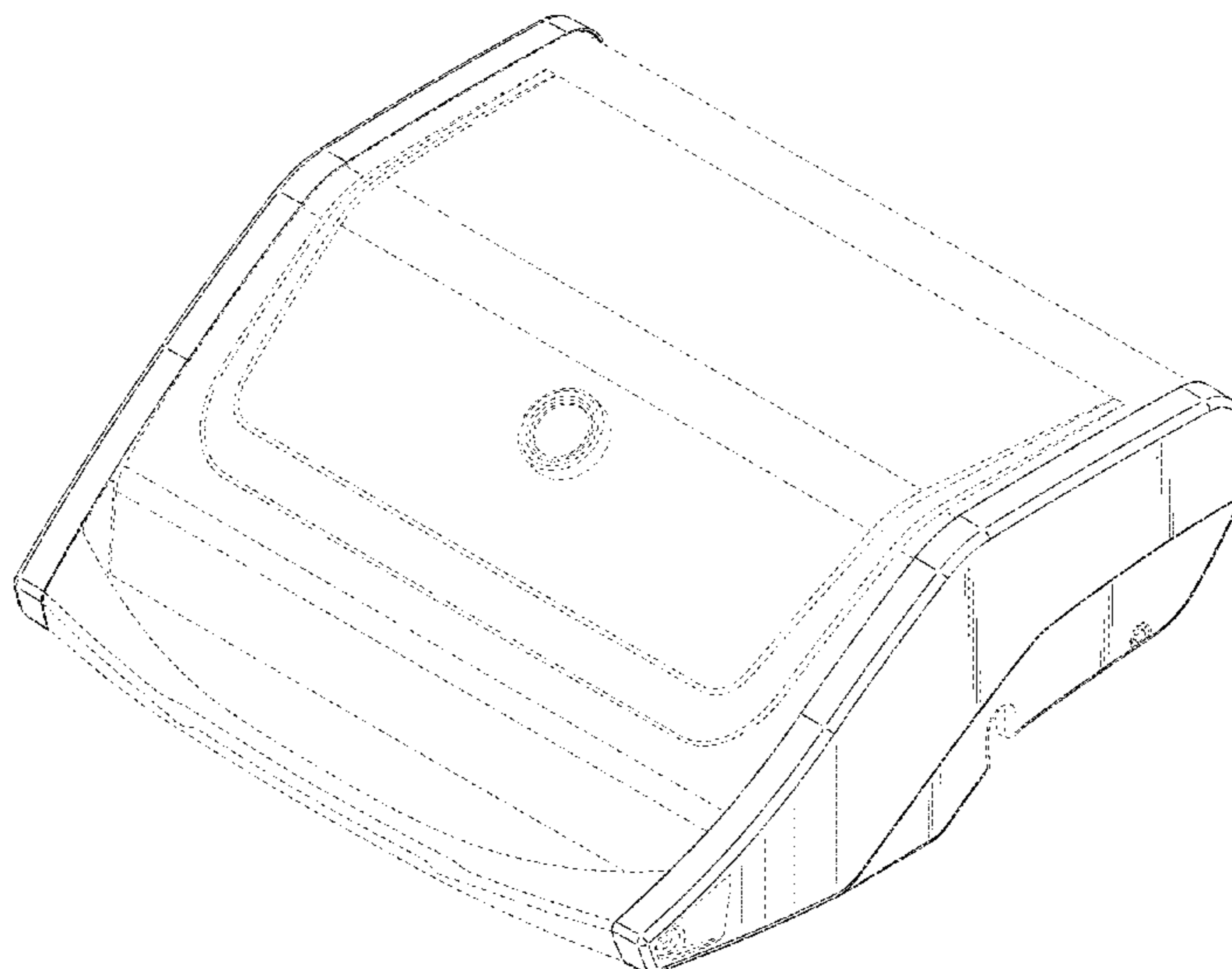
FIG. 3 is a front view of the grill shroud of the present invention.

FIG. 4 is a left side view of the grill shroud of the present invention, the right side view being a mirror image of the left side view; and,

FIG. 5 is a back view of the grill shroud of the present invention.

The broken lines showing portions of the article form no part of the claimed design.

**1 Claim, 5 Drawing Sheets**



(56)

References Cited

U.S. PATENT DOCUMENTS

D558,518 S	1/2008	Ho et al.	
D562,629 S	2/2008	Chau et al.	
D562,630 S	2/2008	Chau et al.	
D564,834 S *	3/2008	Bruno .....	D7/402
D572,973 S	7/2008	Chau	
D580,220 S	11/2008	McKenzie	
D586,615 S *	2/2009	Lee .....	D7/402
D587,525 S *	3/2009	Chau .....	D7/402
D604,557 S *	11/2009	Lee .....	D7/402
D604,558 S *	11/2009	Chau .....	D7/402
D618,951 S	7/2010	Tzeng	
D638,661 S *	5/2011	Schroeter .....	D7/402
D656,786 S *	4/2012	Lockhart .....	D7/402
D688,517 S	8/2013	Eilgus	
D694,568 S *	12/2013	Alden .....	D7/334
D709,725 S	7/2014	Golsch et al.	
D737,096 S	8/2015	Lee et al.	
D769,065 S	10/2016	Wilgus	
D798,645 S *	10/2017	Lira-Nunez .....	D7/334
D798,646 S *	10/2017	Lira-Nunez .....	D7/334
D799,259 S *	10/2017	Lira-Nunez .....	D7/334
D799,264 S *	10/2017	Lira-Nunez .....	D7/402
D809,328 S *	2/2018	Lira-Nunez .....	D7/334
D815,875 S *	4/2018	Lira-Nunez .....	D7/334
D816,385 S *	5/2018	Lira-Nunez .....	D7/334
D845,057 S *	4/2019	Lira-Nunez .....	D7/334
D877,564 S *	3/2020	Lira-Nunez .....	D7/405
D890,570 S *	7/2020	Lira-Nunez .....	D7/403
D915,140 S *	4/2021	Lira-Nunez .....	D7/405

OTHER PUBLICATIONS

Canadian Intellectual Property Office, "Examination Report," issued in connection with Canadian Design Registration No. 179787, dated Dec. 5, 2018, 1 page.

China National Intellectual Property Administration, "Certificate of Design Patent," issued in connection with Chinese Design No. ZL 201830099143.1, dated Nov. 9, 2018, 2 pages.

United States Patent and Trademark Office, "Notice of Allowance and Fee(s) Due," issued in connection with U.S. Appl. No. 29/723,201, dated Dec. 9, 2020, 5 pages.

South African Intellectual Property Commission, "Notice of Acceptance," issued in connection with Design Application No. A2018/00488, dated Oct. 22, 2018, 1 page.

South African Intellectual Property Commission, "Certificate of Registration," issued in connection with Design Application No. A2018/00489, dated Mar. 27, 2018, 1 page.

South African Intellectual Property Commission, "Notice of Acceptance," issued in connection with Design Application No. A2018/00489, dated Oct. 22, 2018, 1 page.

South African Intellectual Property Commission, "Certificate of Registration," issued in connection with Design Application No. A2018/00488, dated Mar. 27, 2018, 1 page.

IP Australia, "Certificate of Examination," issued in connection with Australian Patent Application No. 201811049, dated May 22, 2018, 2 pages.

IP Australia, "Certificate of Examination," issued in connection with Australian Patent Application No. 201811051, dated May 22, 2018, 2 pages.

Chilean Patent Office, "Expert Report on Industrial Design Application," issued in connection with Chilean Patent Application No. 201800795, dated Nov. 5, 2018, 5 pages.

United States Patent and Trademark Office, "Notice of Allowance and Fee(s) Due," issued in connection with U.S. Appl. No. 29/619,290, dated Nov. 21, 2019, 7 pages.

United States Patent and Trademark Office, "Requirement for Restriction," issued in connection with U.S. Appl. No. 29/619,290, dated Sep. 10, 2019, 5 pages.

European Union Intellectual Property Office, "Certificate of Registration No. 005134087-0001," dated Mar. 27, 2018, 6 pages.

European Union Intellectual Property Office, "Certificate of Registration No. 005134087-0002," dated Mar. 27, 2018, 9 pages.

European Union Intellectual Property Office, "Certificate of Registration No. 005134087-0003," dated Mar. 27, 2018, 8 pages.

Chilean Patent Office, "Certificate of Registration," issued in connection with Chilean Patent Application No. 201800795, dated Apr. 4, 2019, 1 page (translation not available).

Japanese Patent Office, "Decision of Registration of Design," issued in connection with Japanese Patent Application No. 2018-006376, dated Sep. 26, 2018, 2 pages.

Japanese Patent Office, "Decision of Registration of Design," issued in connection with Japanese Patent Application No. 2018-006375, dated Sep. 26, 2018, 2 pages.

\* cited by examiner

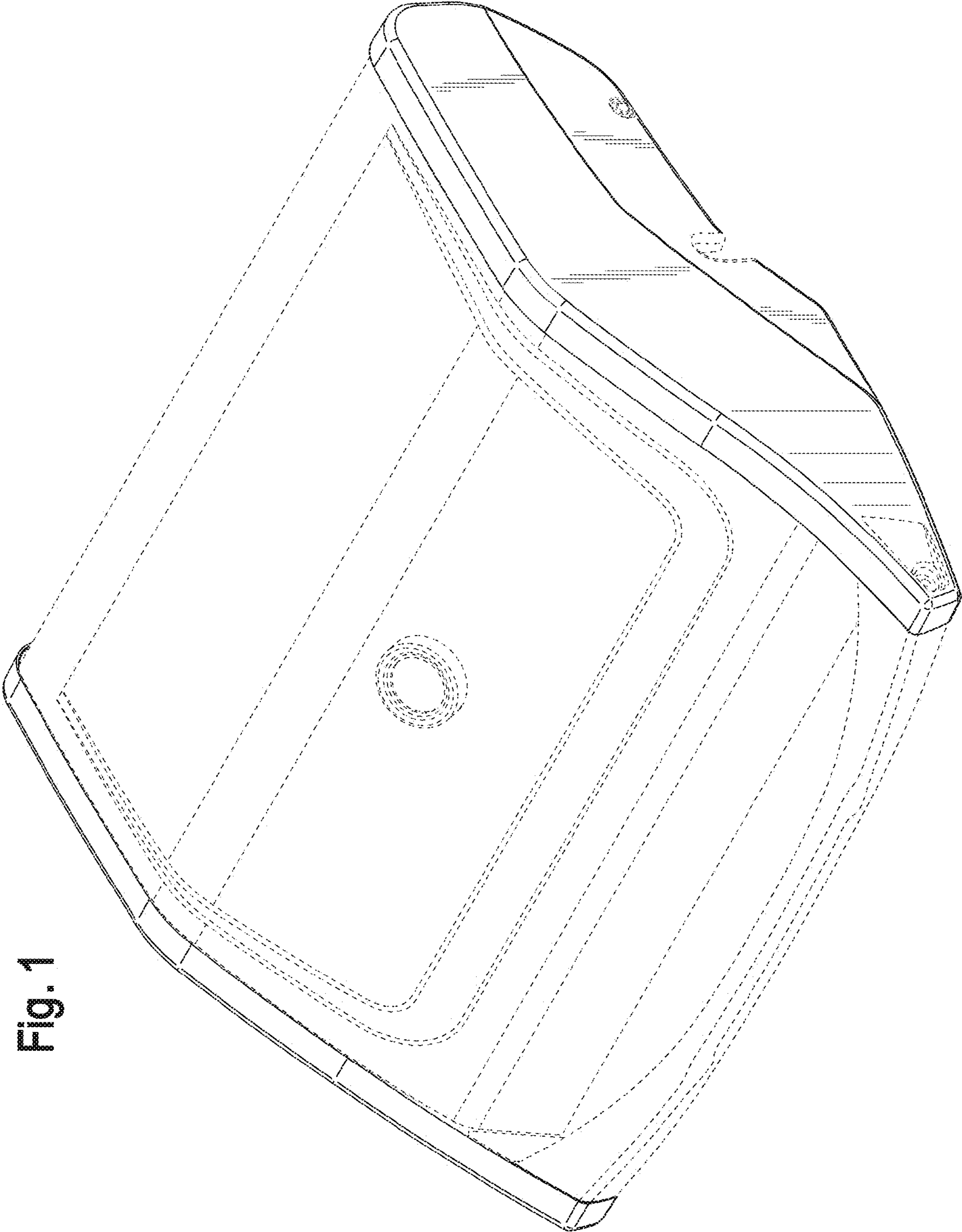


Fig. 1

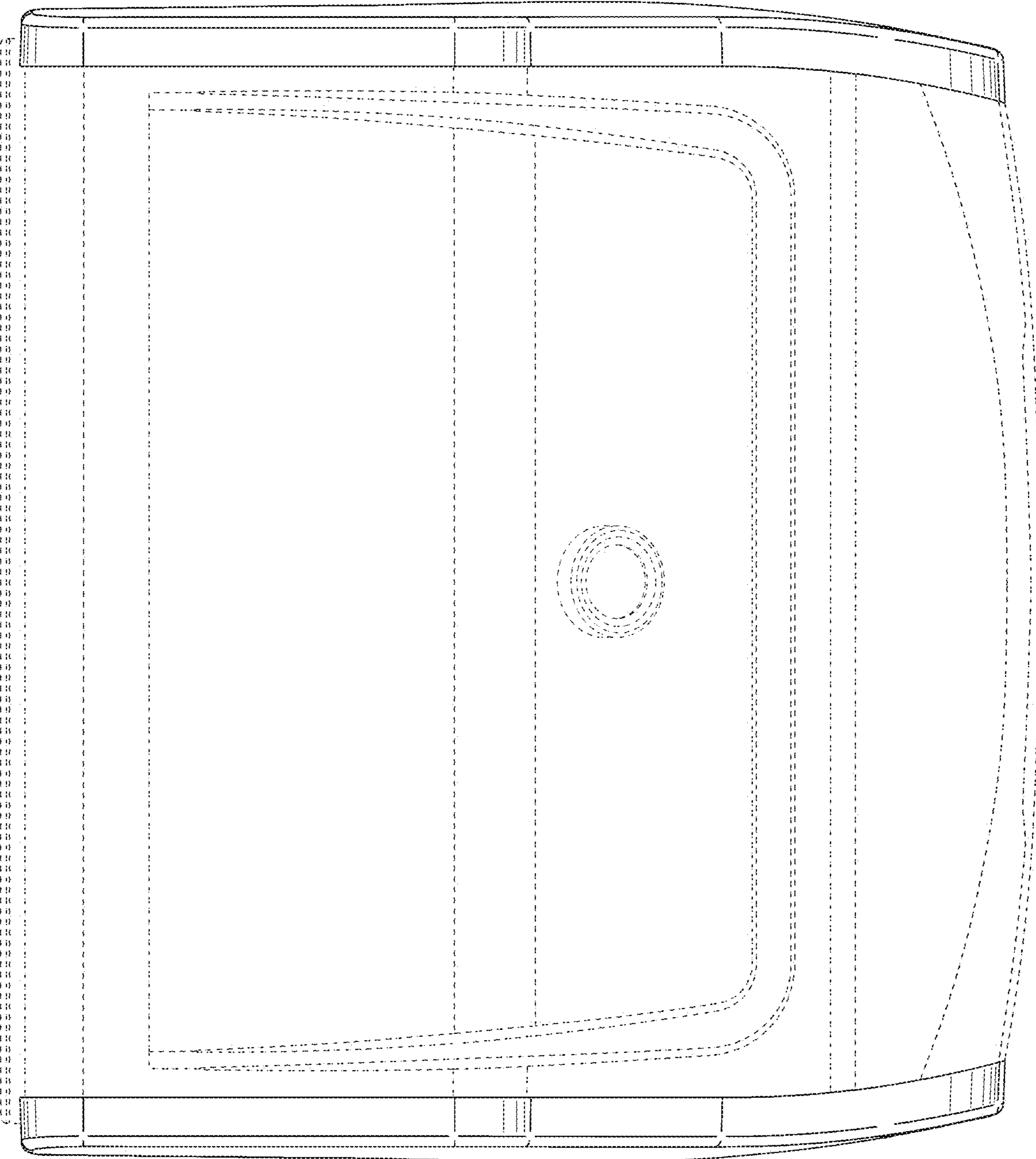


Fig. 2

Fig. 3

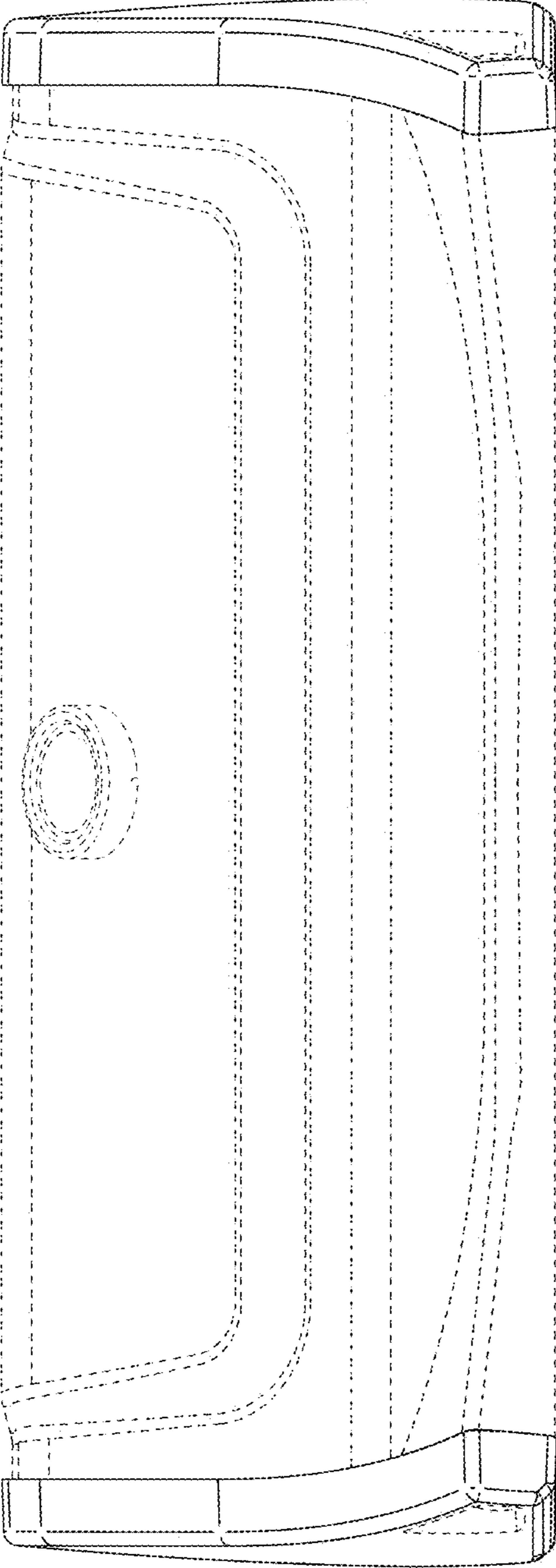


Fig. 4

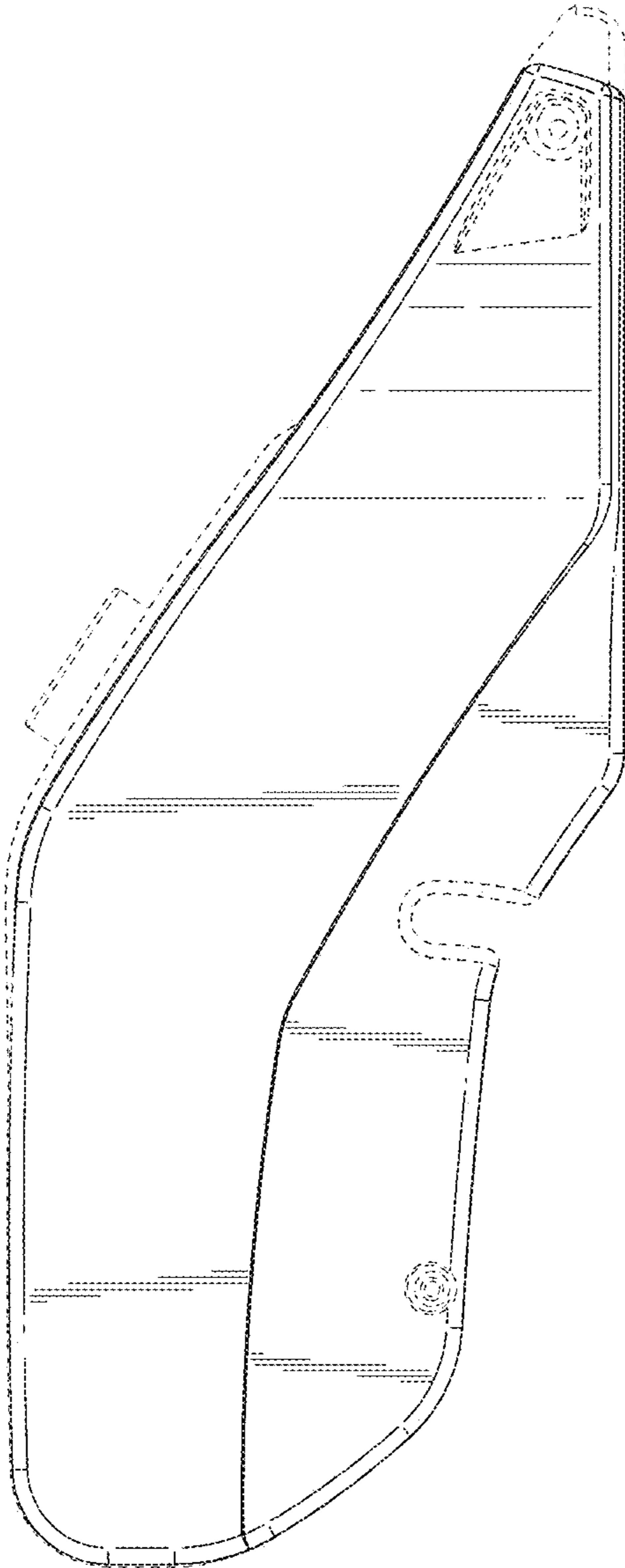


Fig. 5

