



US00D951015S

(12) **United States Design Patent**
Young

(10) **Patent No.:** **US D951,015 S**

(45) **Date of Patent:** **** May 10, 2022**

- (54) **OIL PAN FOR CAMPING GRILL**
- (71) Applicant: **Lon G. Young**, St. George, UT (US)
- (72) Inventor: **Lon G. Young**, St. George, UT (US)
- (**) Term: **15 Years**
- (21) Appl. No.: **29/711,123**
- (22) Filed: **Oct. 29, 2019**

- D826,637 S * 8/2018 Thurlow D7/409
- D833,201 S * 11/2018 Lee D7/352
- D834,314 S * 11/2018 Nicoline D3/304
- D836,980 S * 1/2019 Thurlow D7/409
- D855,382 S * 8/2019 Lee D7/362
- D865,444 S * 11/2019 Young D7/402
- D876,882 S * 3/2020 Boltz D7/363
- D896,564 S * 9/2020 Kerr D7/354
- D904,114 S * 12/2020 Parker D7/402
- D916,563 S * 4/2021 Dorion D7/409
- 10,995,962 B2 * 5/2021 Schillizzi A47B 33/00

(Continued)

Related U.S. Application Data

- (63) Continuation-in-part of application No. 29/619,198, filed on Sep. 27, 2017, now Pat. No. Des. 865,444.
- (51) **LOC (13) Cl.** **07-02**
- (52) **U.S. Cl.**
USPC **D7/402; D7/354**
- (58) **Field of Classification Search**
USPC D7/402-409, 332-337, 339-341,
D7/346-349, 352, 354-355, 362-363,
D7/338; D6/552; D24/227; D3/304
CPC F24C 15/16; F24C 15/12; F24C 15/10;
F24C 7/083; F24C 3/082; F24C 3/085;
A47J 37/07; A47J 37/0704
See application file for complete search history.

Primary Examiner — Sheryl Lane

Assistant Examiner — Nicole C Shiflet

(74) *Attorney, Agent, or Firm* — Gurr Brande & Spendlove, PLLC; Robert A. Gurr

(57) **CLAIM**

The ornamental design for an oil pan for camping grill, as shown and described.

DESCRIPTION

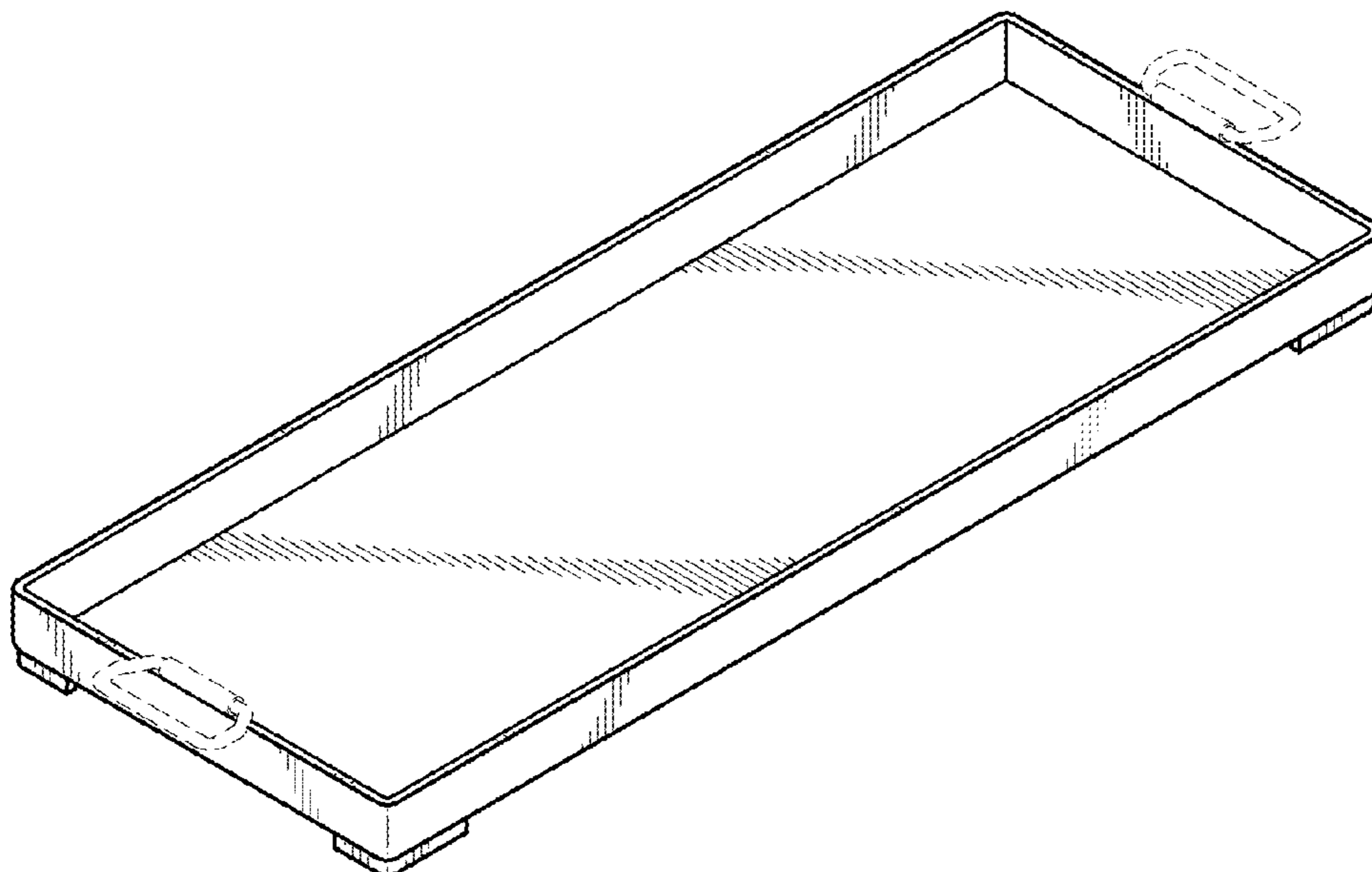
FIG. 1 is a top perspective view of the oil pan for camping grill;
 FIG. 2 is a bottom perspective view of the oil pan for camping grill;
 FIG. 3 is a left side elevation view of the oil pan for camping grill;
 FIG. 4 is a top plan view of the oil pan for camping grill;
 FIG. 5 is a right side elevation view of the oil pan for camping grill;
 FIG. 6 is a front elevation view of the oil pan for camping grill;
 FIG. 7 is a back elevation view of the oil pan for camping grill; and,
 FIG. 8 is a bottom plan view of the oil pan for camping grill.
 The broken lines shown in the drawings are portions of the article that form no part of the claimed design.

(56) **References Cited**

U.S. PATENT DOCUMENTS

- D380,347 S * 7/1997 Norton D7/409
- D408,682 S * 4/1999 Costa D7/354
- D462,231 S * 9/2002 Kari D7/354
- D613,117 S * 4/2010 Richburg D7/409
- D659,399 S * 5/2012 Kraemer D3/304
- D659,400 S * 5/2012 Kraemer D3/304
- D700,781 S * 3/2014 Moran D3/304
- D701,699 S * 4/2014 Bonacina D3/304
- D702,498 S * 4/2014 Zemel D7/409
- D729,403 S * 5/2015 Hage D24/227
- D752,770 S * 3/2016 Kuhn D24/227

1 Claim, 4 Drawing Sheets



(56)

References Cited

U.S. PATENT DOCUMENTS

2012/0318256 A1 * 12/2012 Chilton F24C 15/18
126/39 H

* cited by examiner

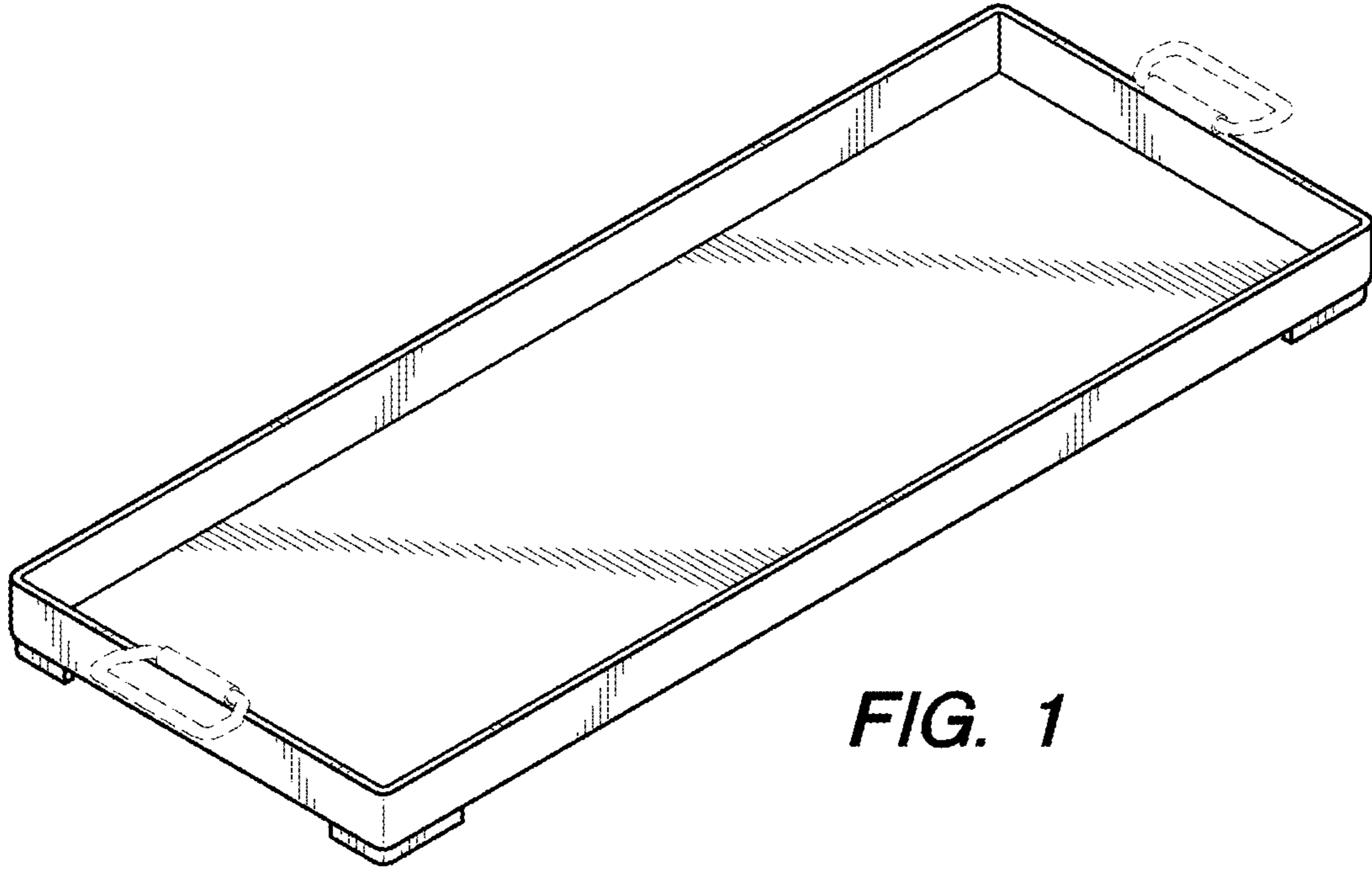


FIG. 1

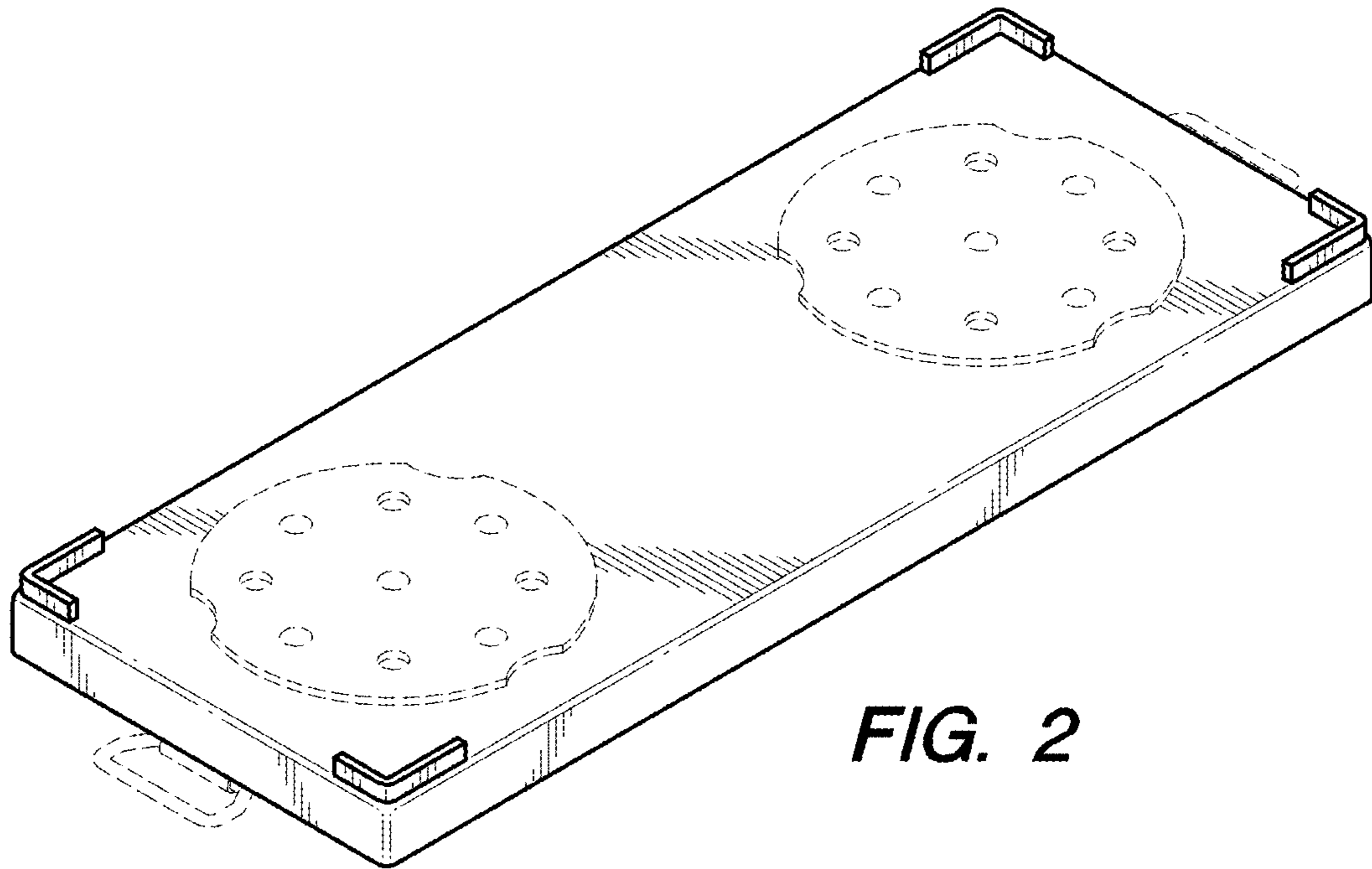


FIG. 2

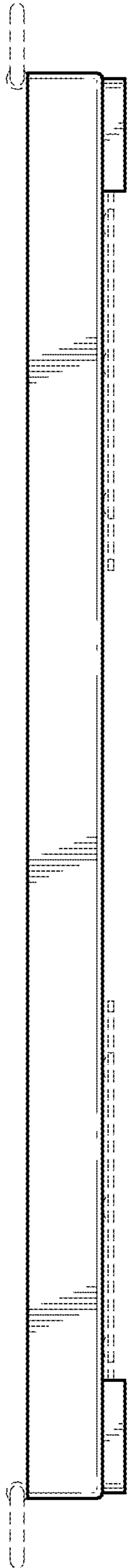


FIG. 3

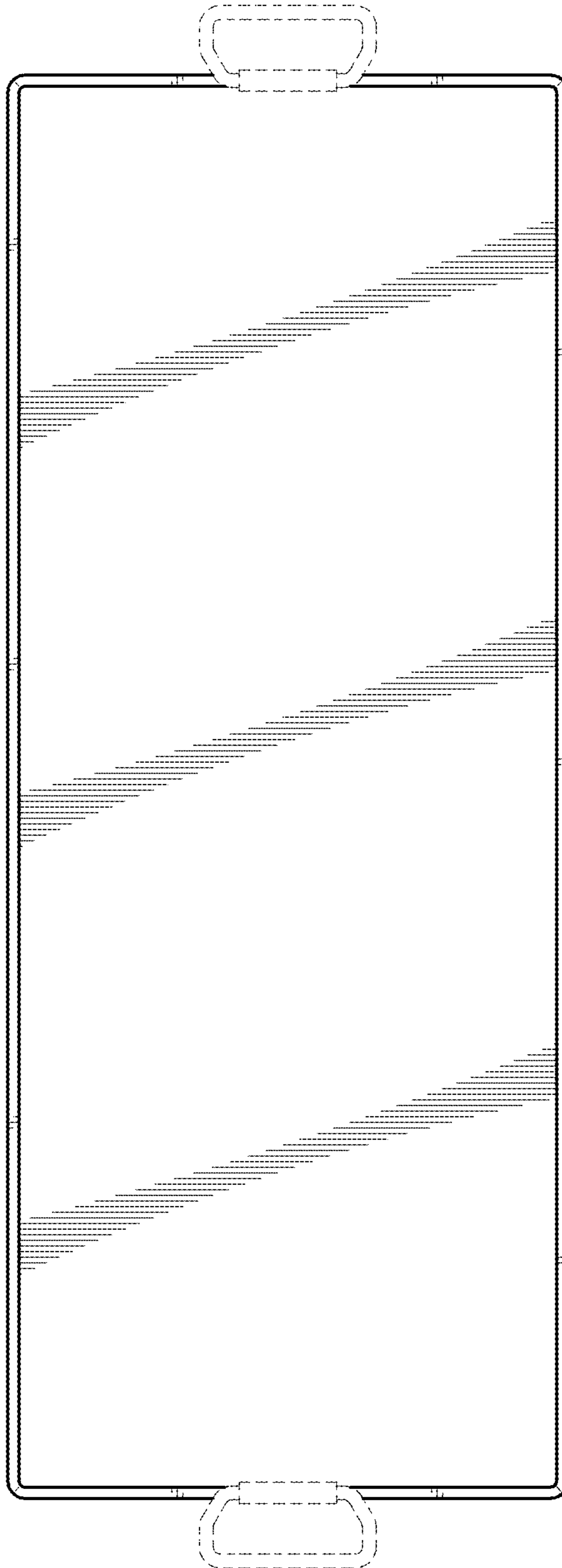


FIG. 4

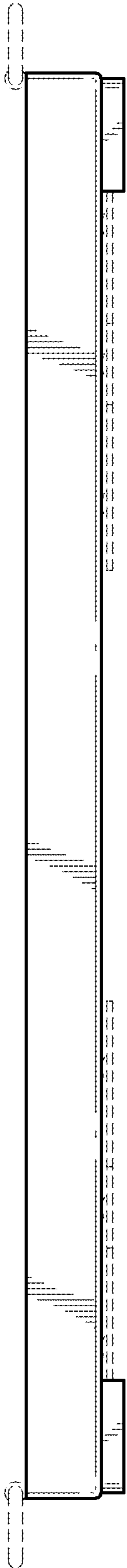


FIG. 5

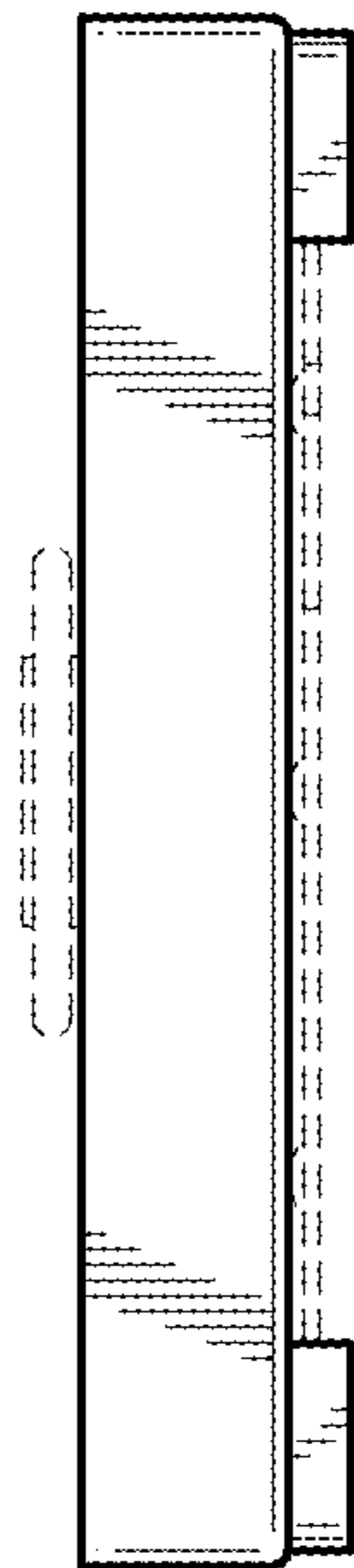


FIG. 6

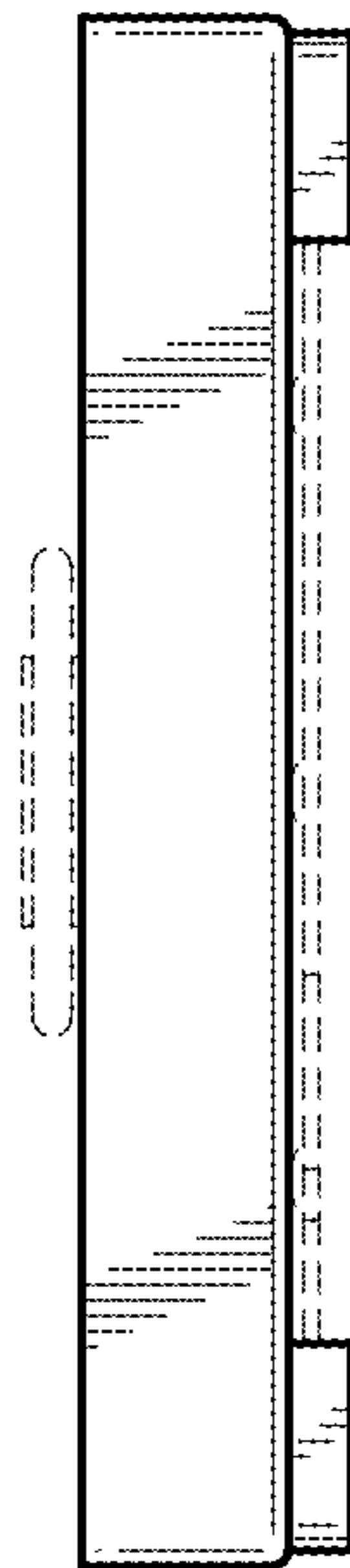


FIG. 7

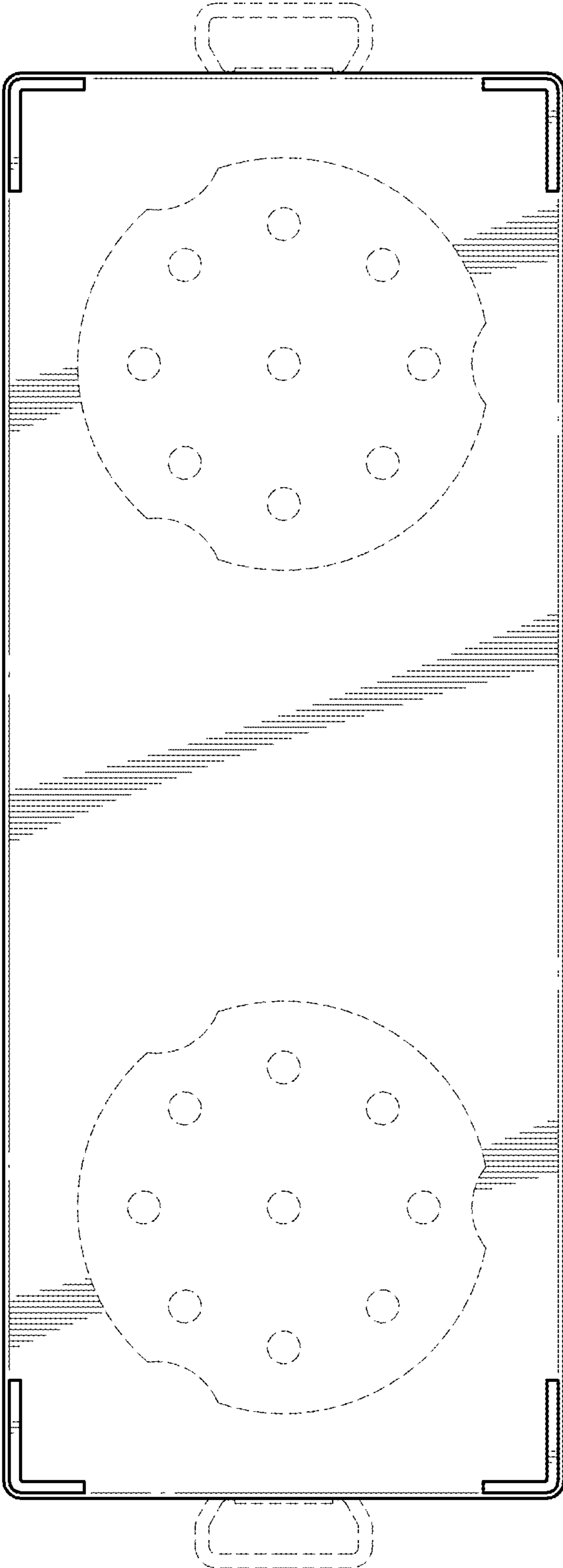


FIG. 8