



US00D951013S

(12) **United States Design Patent**
Sapire et al.

(10) **Patent No.:** **US D951,013 S**
(45) **Date of Patent:** **** May 10, 2022**

- (54) **INFUSER**
- (71) Applicant: **Beast Health, LLC**, Pacific Palisades, CA (US)
- (72) Inventors: **Colin Sapire**, Pacific Palisades, CA (US); **Benjamin Bangser**, Los Angeles, CA (US); **Gregory Thune**, Los Angeles, CA (US)
- (73) Assignee: **Beast Health, LLC**, Pacific Palisades, CA (US)

D606,805 S *	12/2009	Neace	D7/399
D691,418 S *	10/2013	Minton	D7/400
D730,689 S *	6/2015	Bodum	D7/412
D750,429 S *	3/2016	Lindsay	D7/399
D820,638 S *	6/2018	Chitayat	A47J 31/0636
				D7/400
9,999,314 B1 *	6/2018	Neace	A47J 31/005
D880,933 S *	4/2020	Symons	D7/380
D902,651 S *	11/2020	Lee	D7/400
D905,495 S *	12/2020	Sapire	D7/378
D908,433 S *	1/2021	Sapire	D7/531

(Continued)

(**) Term: **15 Years**

(21) Appl. No.: **29/737,431**

(22) Filed: **Jun. 9, 2020**

(51) **LOC (13) Cl.** **07-02**

(52) **U.S. Cl.**
USPC **D7/397**

(58) **Field of Classification Search**
USPC D7/300, 301-303, 305, 306, 309, D7/312-314, 316-319, 323, 331, 354, D7/368, 376, 380, 387, 397-400, 412, D7/415, 667-669, 682; D23/207, 209, D23/213

CPC . A47G 19/16; A47J 31/02; A47J 31/06; A47J 31/061; A47J 31/0615; A47J 31/0642; A47J 31/0673; A47J 31/18; A47J 31/20; A47J 31/3628; A47J 31/407; A47J 31/44; A47J 31/4403; A47J 31/4482; A47J 31/46; A47J 31/50; A47J 31/505

See application file for complete search history.

(56) **References Cited**

U.S. PATENT DOCUMENTS

2,788,733 A *	4/1957	Jacques	A47J 31/0636
				99/323
4,630,634 A *	12/1986	Sasaki	C02F 1/688
				137/268
D374,150 S *	10/1996	Lillelund	D7/387

OTHER PUBLICATIONS

FlavorFuze—Fruit Infuser Insert, first available Dec. 9, 2020, Amazon, [online], [site visited Dec. 9, 2021], Available from internet URL: <https://www.amazon.com/dp/B08Q37P1TM> (Year: 2020).*

(Continued)

Primary Examiner — Mary Ann Calabrese
Assistant Examiner — Natalya M Rapundalo
(74) *Attorney, Agent, or Firm* — Alston & Bird LLP

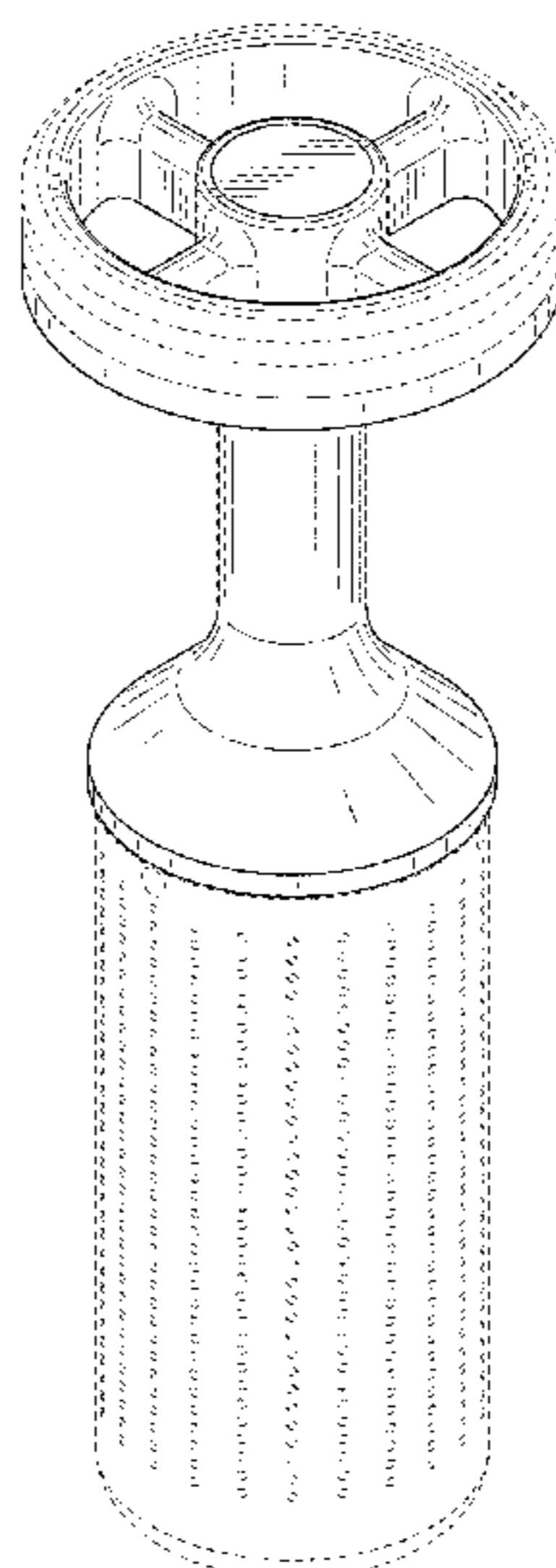
(57) **CLAIM**

The ornamental design for an infuser, as shown and described.

DESCRIPTION

FIG. 1 is a front top perspective view of the infuser. FIG. 2 is a front view thereof. FIG. 3 is a left side view thereof. FIG. 4 is a right side view thereof. FIG. 5 is a top plan view thereof; and, FIG. 6 is a bottom plan view thereof. The dashed broken lines in FIGS. 1-6 are for the purpose of illustrating portions of the infuser and environmental structure that form no part of the claimed design. The dash dot dot broken lines represent boundaries of the claim and form no part thereof.

1 Claim, 3 Drawing Sheets



(56)

References Cited

U.S. PATENT DOCUMENTS

D936,417 S * 11/2021 Su A47J 31/0615
D7/400
2021/0353103 A1* 11/2021 Bangser B01F 13/047
2021/0361109 A1* 11/2021 Shen A47J 31/0615

OTHER PUBLICATIONS

Beast Hydration System, first available Apr. 26, 2021, Amazon, [online], [site visited Nov. 23, 2021], Available from internet URL: <https://www.amazon.com/dp/B093J8S424> (Year: 2021).*

* cited by examiner

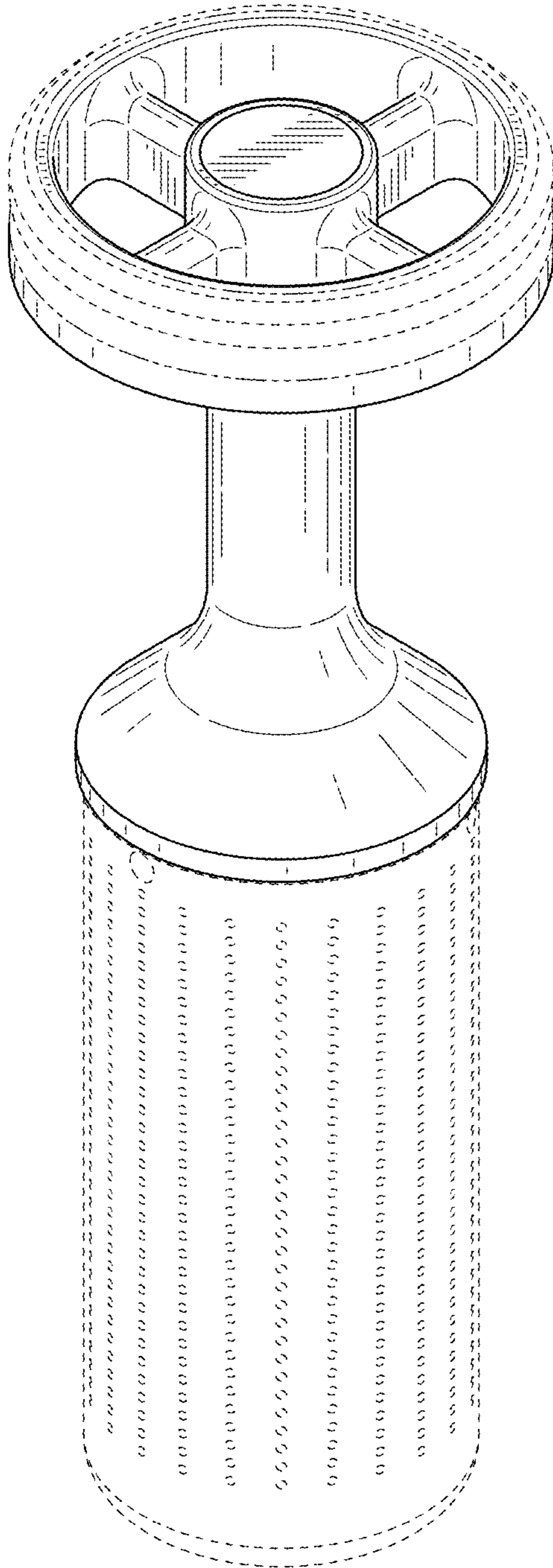


FIG. 1

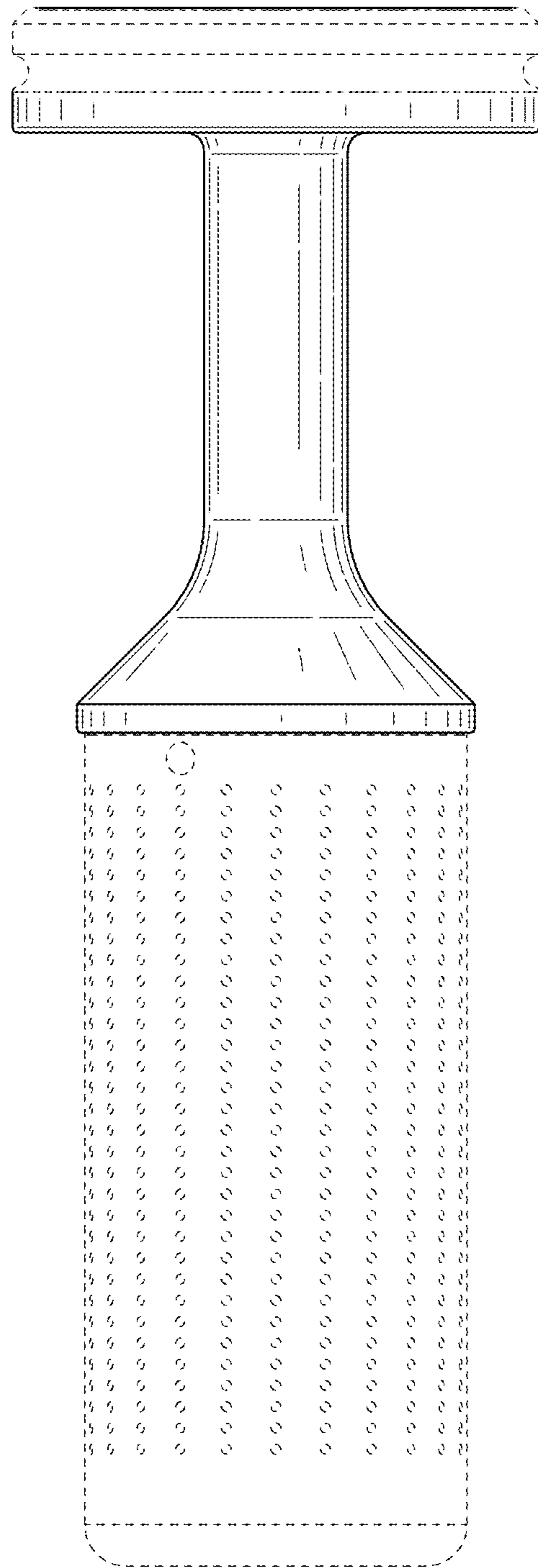


FIG. 2

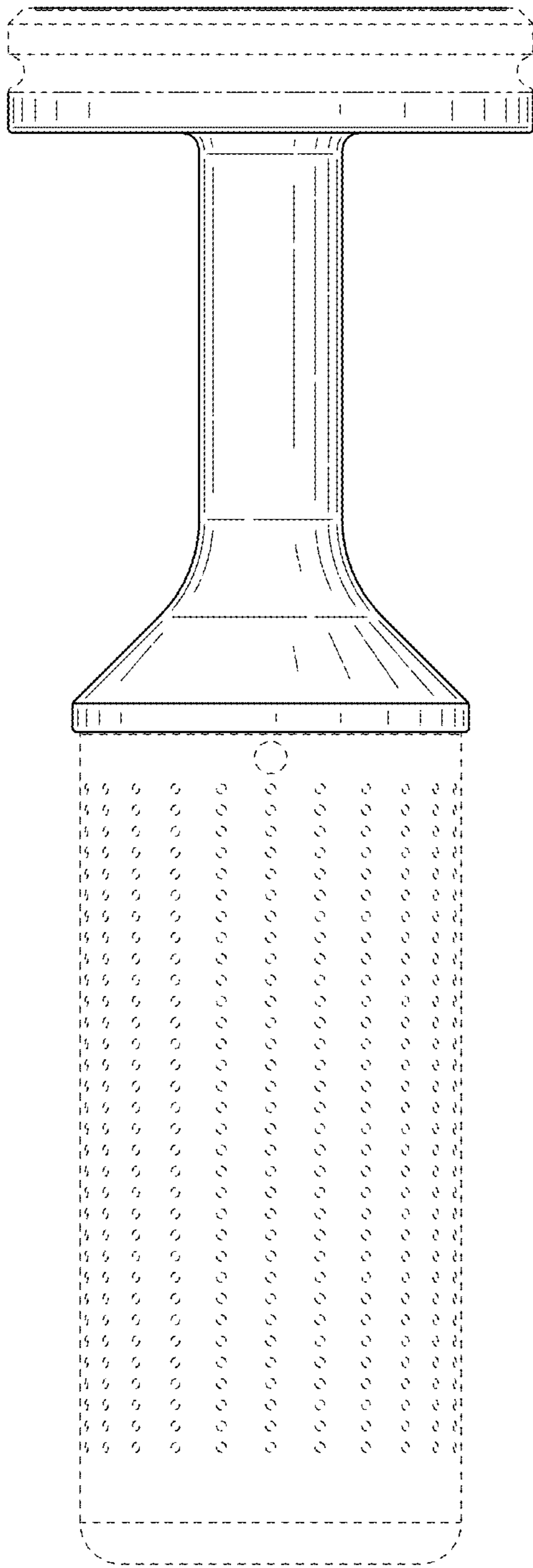


FIG. 3

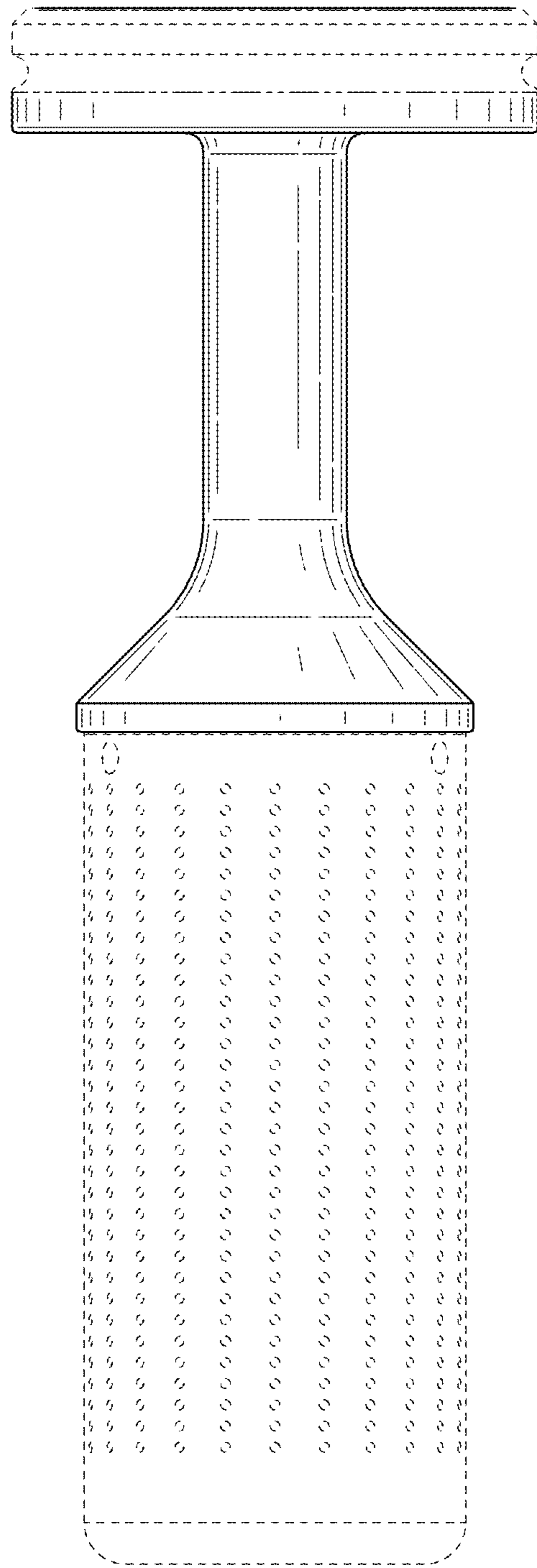


FIG. 4

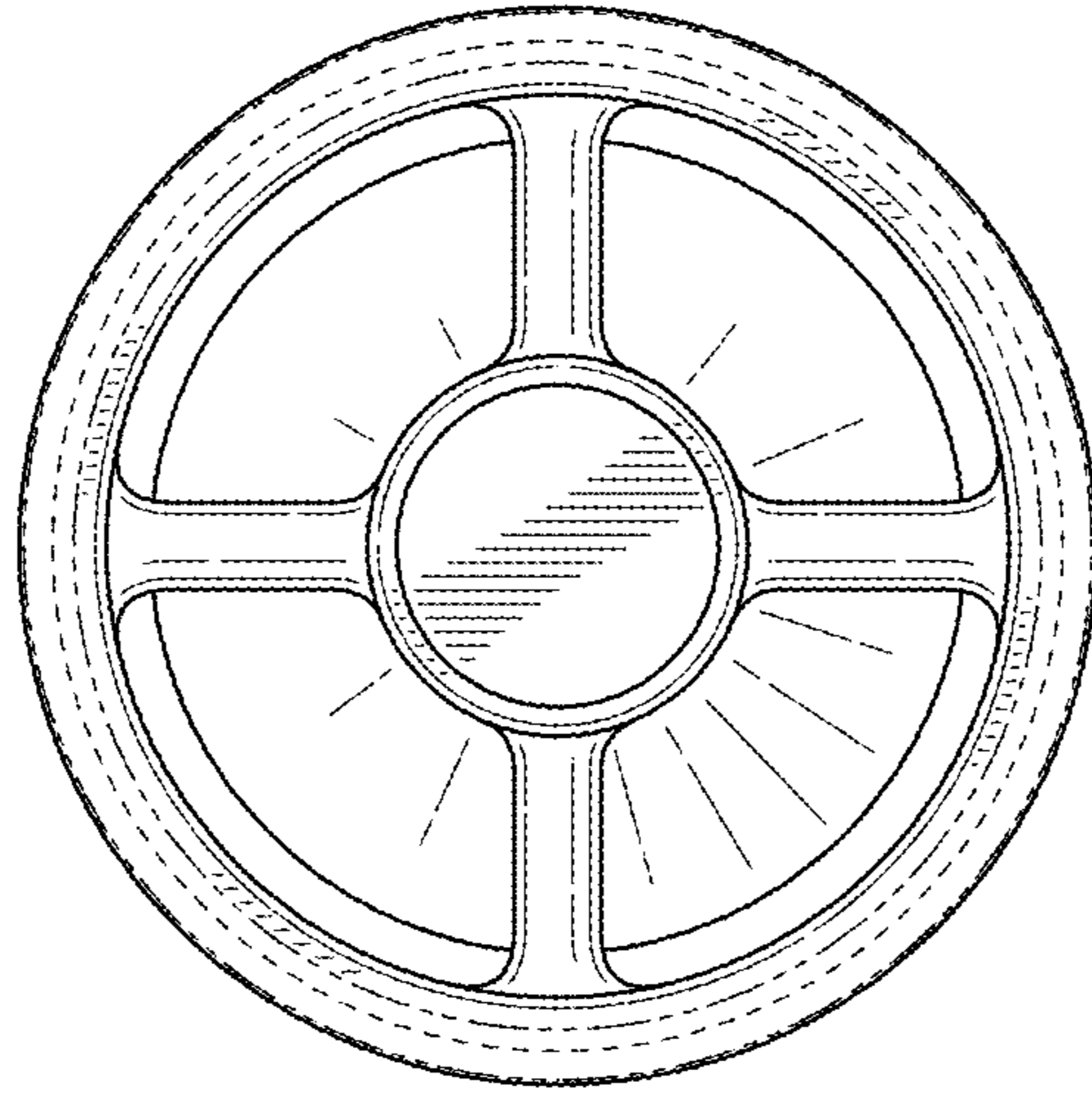


FIG. 5

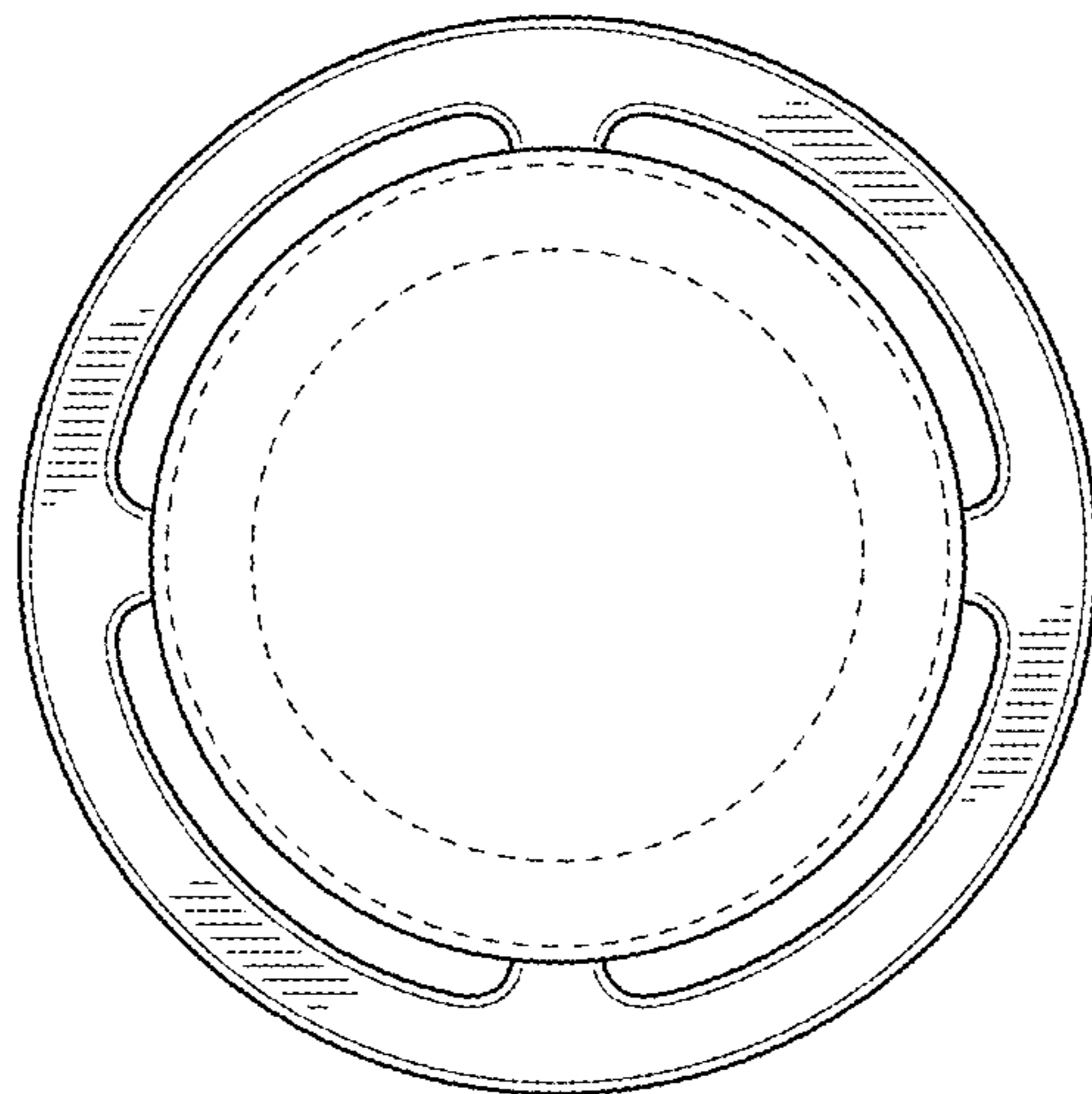


FIG. 6