



US00D951012S

(12) **United States Design Patent** (10) **Patent No.:** **US D951,012 S**
Hidaka (45) **Date of Patent:** **** May 10, 2022**

(54) **MEAL ASSISTING JIG**
(71) Applicant: **Yujiro Hidaka**, Kumamoto (JP)
(72) Inventor: **Yujiro Hidaka**, Kumamoto (JP)
(**) Term: **15 Years**
(21) Appl. No.: **29/708,481**
(22) Filed: **Oct. 7, 2019**
(51) **LOC (13) Cl.** **07-99**
(52) **U.S. Cl.**
USPC **D7/396.1; D7/213**
(58) **Field of Classification Search**
USPC D6/701, 703.1; D7/213, 387, 391, 392.1,
D7/396.1, 396.3, 406, 409, 412, 505,
D7/550.1, 545, 552.1, 554.4, 642-647,
D7/667, 668, 686, 691, 708.1; D8/349,
D8/373; D19/86-91; D24/188, 193, 227;
D32/41-46
CPC A47B 23/042; A47G 19/2266; A47G
23/0225; A47G 23/0633; A47J 37/101;
F24C 15/12
See application file for complete search history.

D393,988 S * 5/1998 Rogers D7/708.1
D415,202 S * 10/1999 Sherman D19/91
D424,370 S * 5/2000 Drees D7/412
(Continued)

FOREIGN PATENT DOCUMENTS

CA 124680 * 1/2009
DE 4100923 A1 * 7/1992 A47G 19/06
(Continued)

OTHER PUBLICATIONS

Best Quality Medical Supplies, "FabLife Scoop Plate," Dec. 22,
2005, Amazon.com, www.amazon.com/Maddak-Scooper-Eating-
Plate-745350010/dp/B000E0T5ZC (Year: 2005).*
(Continued)

Primary Examiner — Joseph Kukella
Assistant Examiner — Arva P Adams
(74) *Attorney, Agent, or Firm* — Lucas & Mercanti, LLP

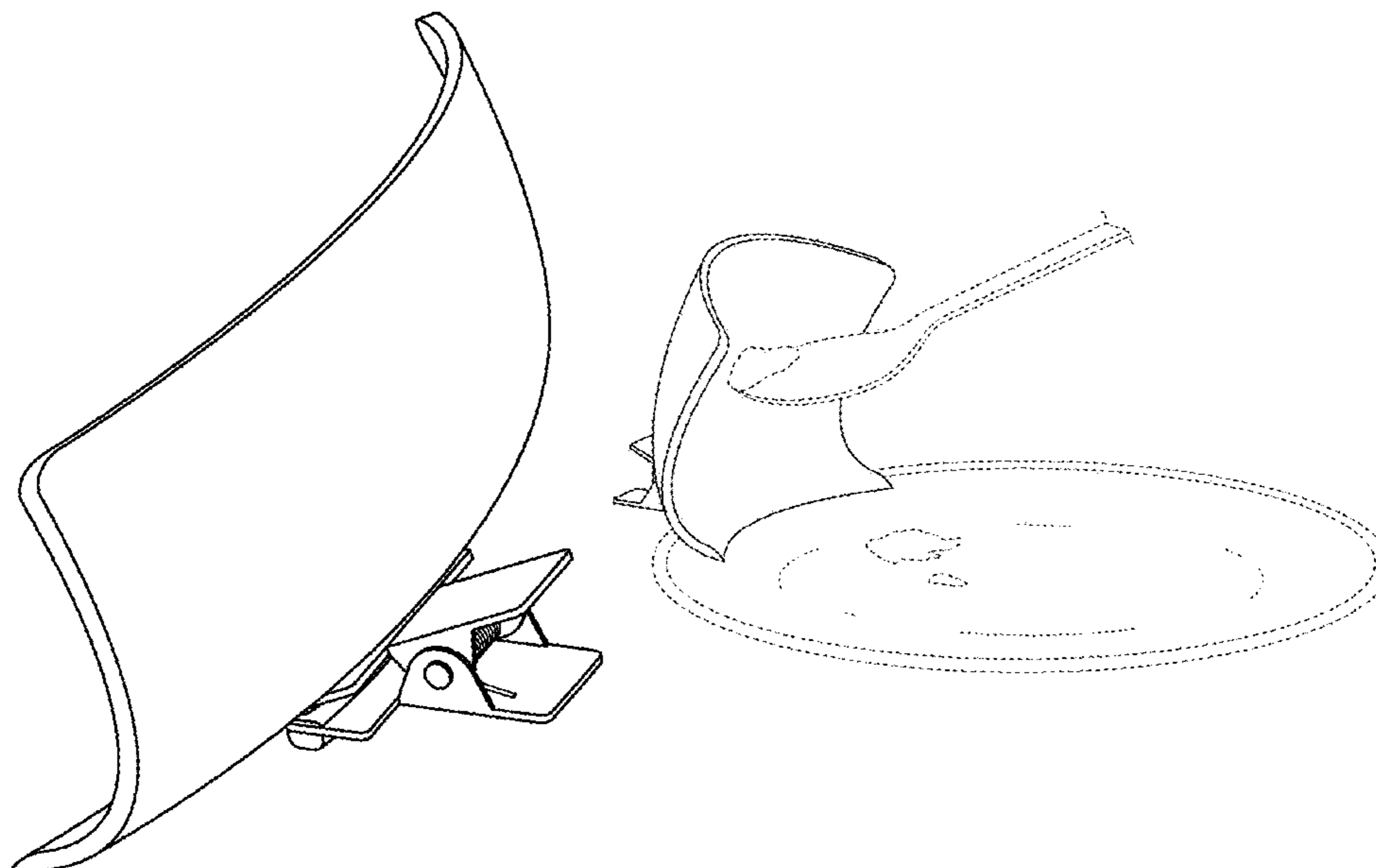
(57) **CLAIM**
The ornamental design for meal assisting jig, as shown and
described.

DESCRIPTION

FIG. 1 is a front view of a meal assisting jig;
FIG. 2 is a back view thereof;
FIG. 3 is a right side view thereof;
FIG. 4 is a left side view thereof;
FIG. 5 is a top view thereof;
FIG. 6 is a bottom view thereof;
FIG. 7 is a perspective back view thereof; and,
FIG. 8 is a view showing a meal assisting jig in use thereof.
The broken lines are for environmental purposes only and
form no part of the claimed design. The design shown is not
to be limited to any particular size and may be scaled larger
or smaller.

1 Claim, 8 Drawing Sheets

(56) **References Cited**
U.S. PATENT DOCUMENTS
D32,387 S * 3/1900 Baird D7/691
704,139 A * 7/1902 Stadelman A47G 19/04
D7/396.1
1,681,586 A * 8/1928 Kessler G09F 1/14
248/441.1
D154,272 S * 6/1949 Heim D6/705
2,611,510 A * 9/1952 Willits A47J 37/101
126/299 C
D183,623 S * 9/1958 Marcus A47G 5/00
D7/667
D304,794 S * 11/1989 Sheard D7/552.1
D384,244 S * 9/1997 Hensarling D7/397



(56)

References Cited

U.S. PATENT DOCUMENTS

D427,783 S * 7/2000 Luedke A47G 5/00
D6/332
D468,356 S * 1/2003 Snell A47J 37/101
D8/395
D513,564 S * 1/2006 Nobles D6/332
D727,107 S * 4/2015 Parodi, Jr. A47G 19/04
D7/533
D763,041 S * 8/2016 Ash D7/396.2
2013/0277375 A1 * 10/2013 Hickox A47G 23/06
220/575

FOREIGN PATENT DOCUMENTS

JP D1648964 * 1/2020
JP D1648965 * 1/2020

OTHER PUBLICATIONS

Amazon.com, "Sammons Preston Clip-On Food Guard," Jun. 2, 2009, Amazon.com, www.amazon.com/Sammons-Preston-Prevention-Lightweight-Handicapped/dp/B002BUWUT6 (Year: 2009).*

Home N' Goods, "Kitchen Gizmo Snap N Strain Pot Strainer," Dec. 3, 2015, Amazon.com, www.amazon.com/Kitchen-Gizmo-Strainer-Silicone-Colander/dp/B018W9JII0?th=1 (Year: 2015).*

Mad Shark Flagship Store, "Mad Shark Premium Stainless Steel Chef Finger Guards," Feb. 15, 2019, Amazon.com, www.amazon.com/dp/B07MGL2925 (Year: 2019).*

* cited by examiner

Fig. 1

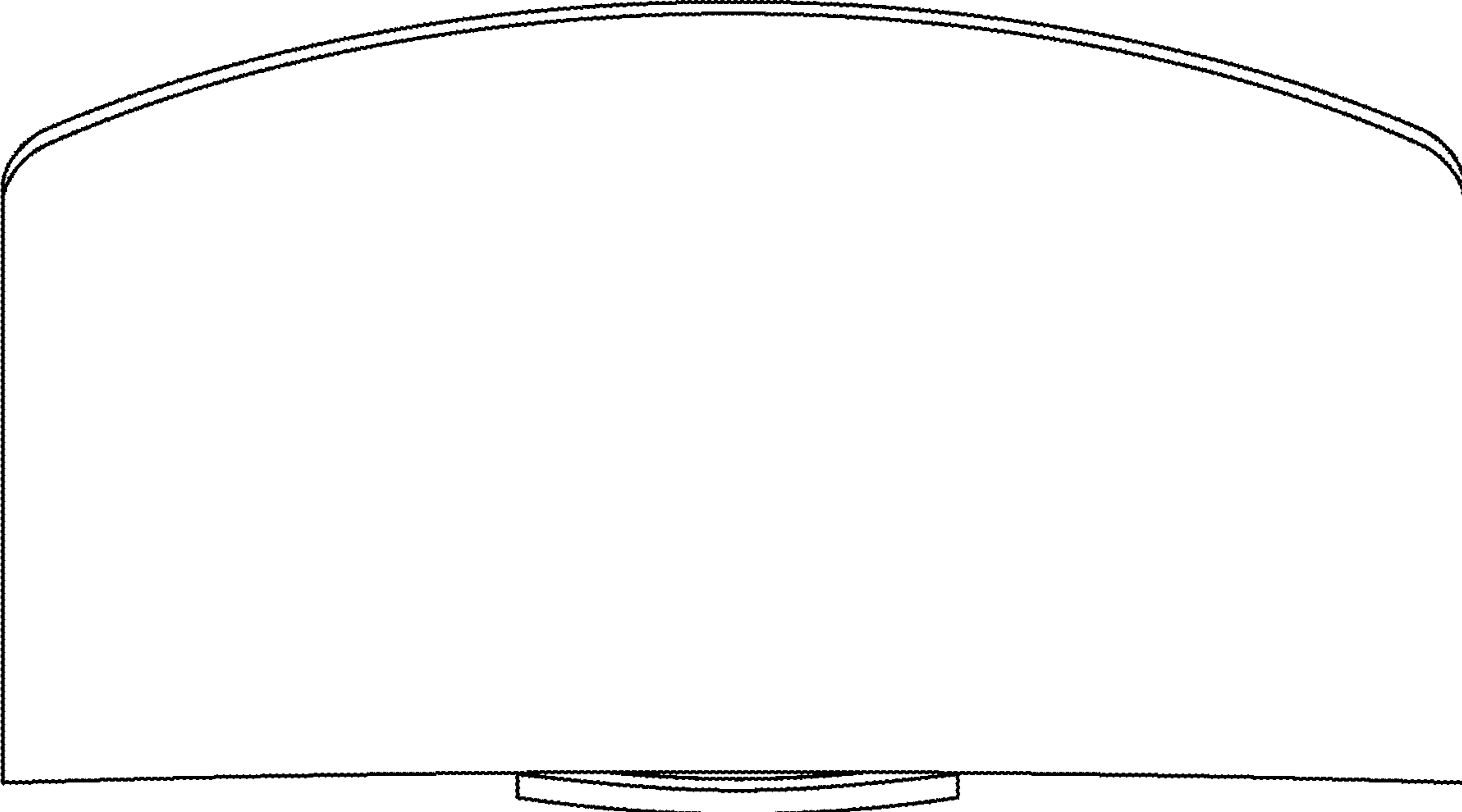


Fig. 2

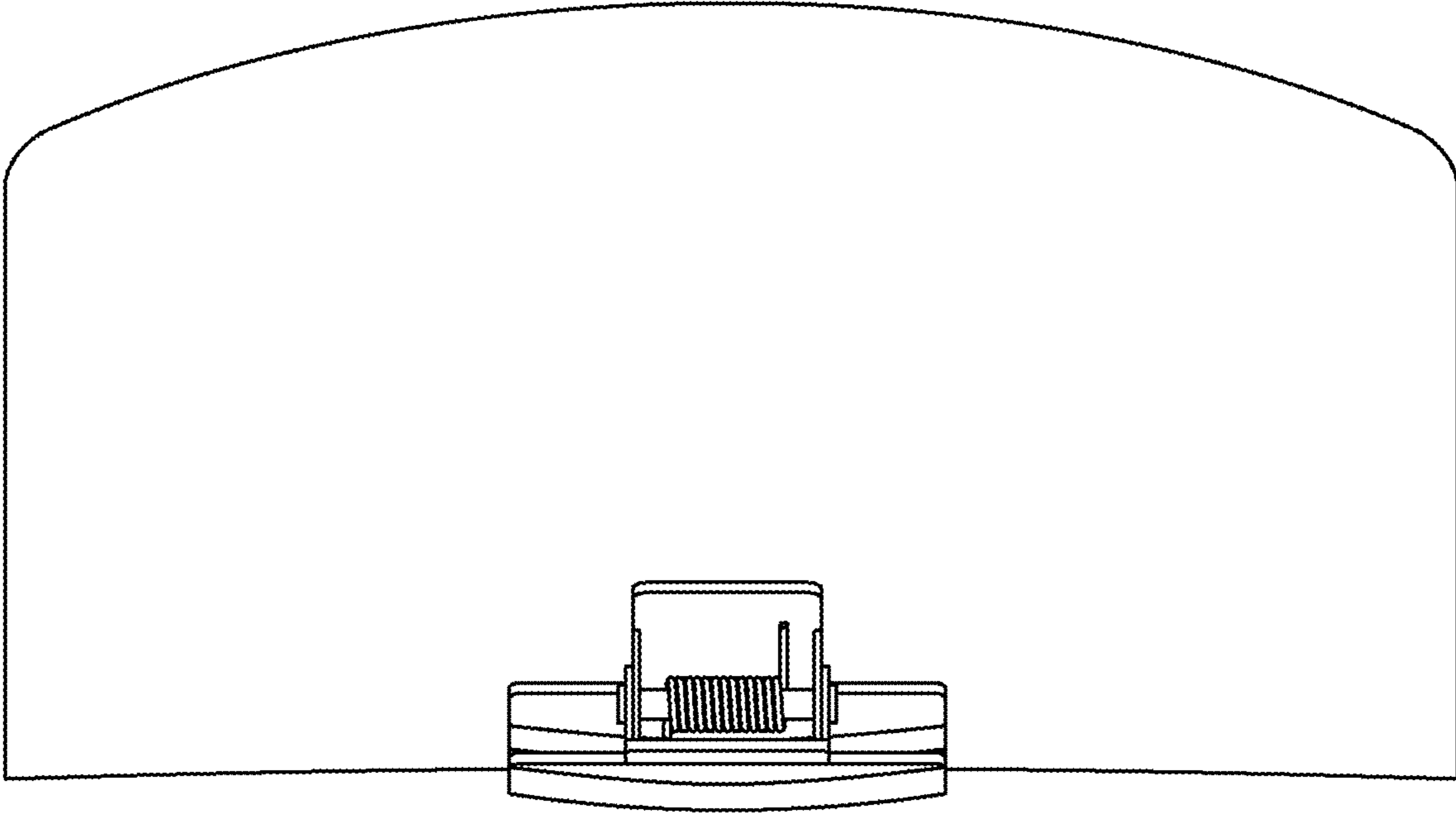


Fig. 3

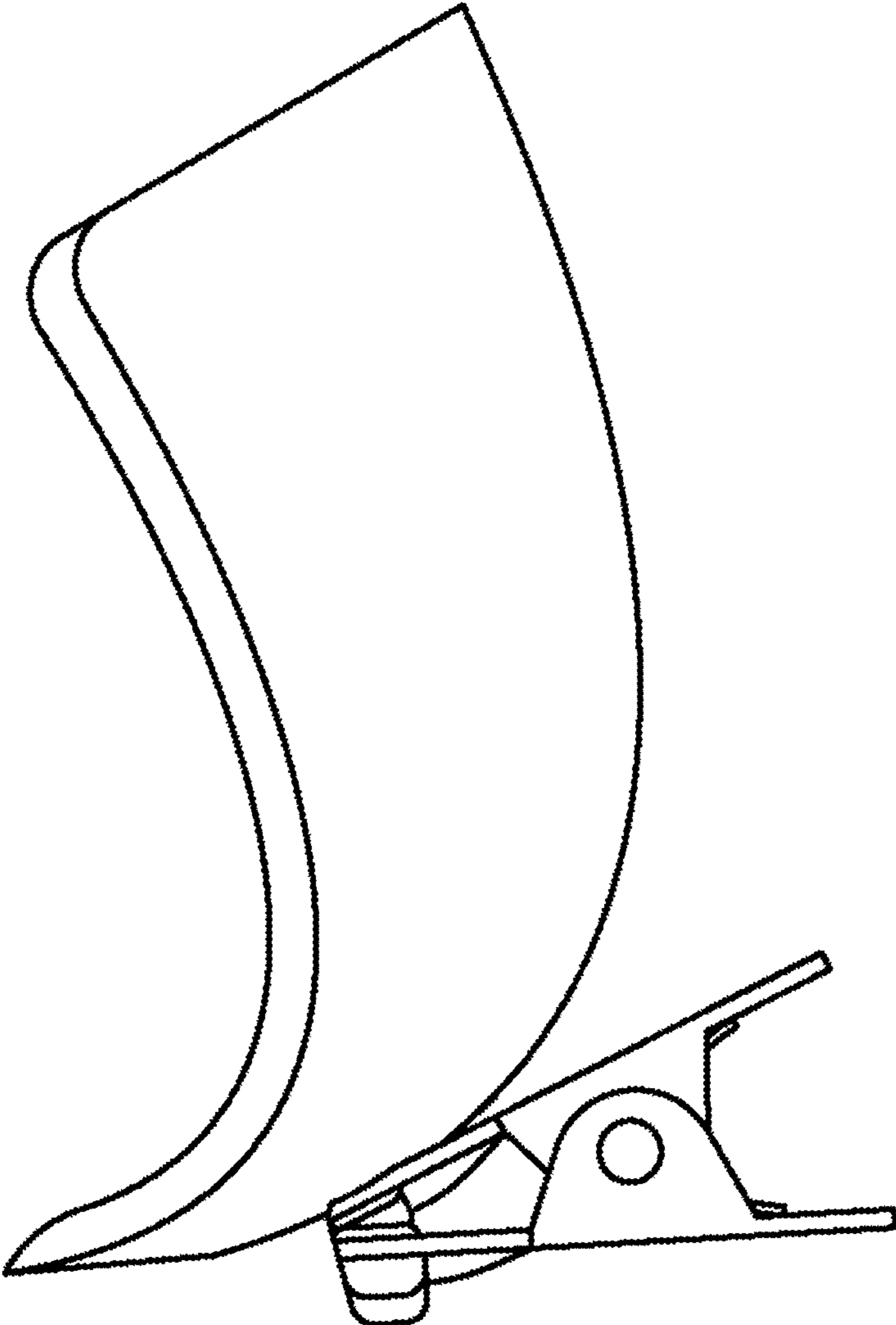


Fig. 4

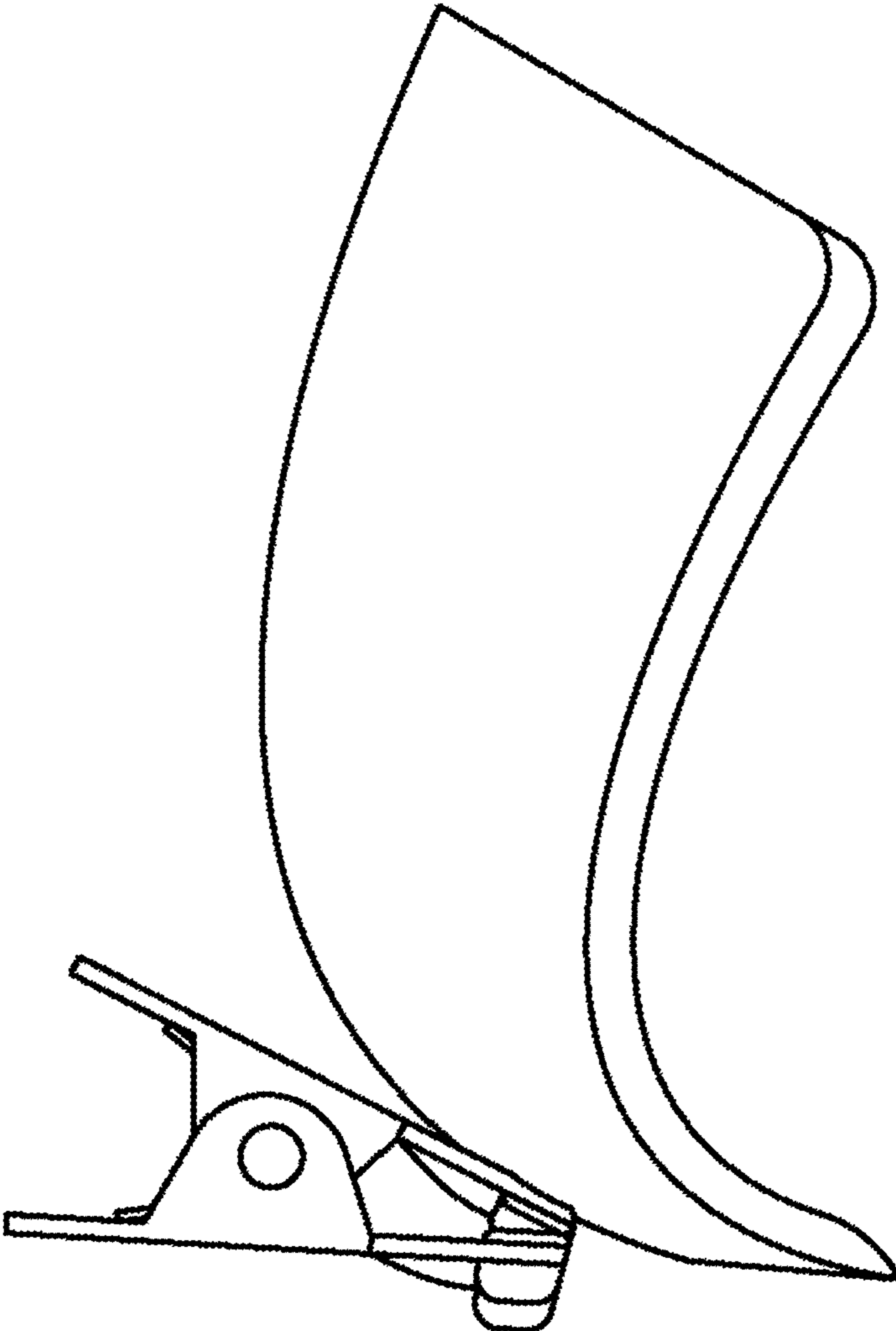


Fig. 5

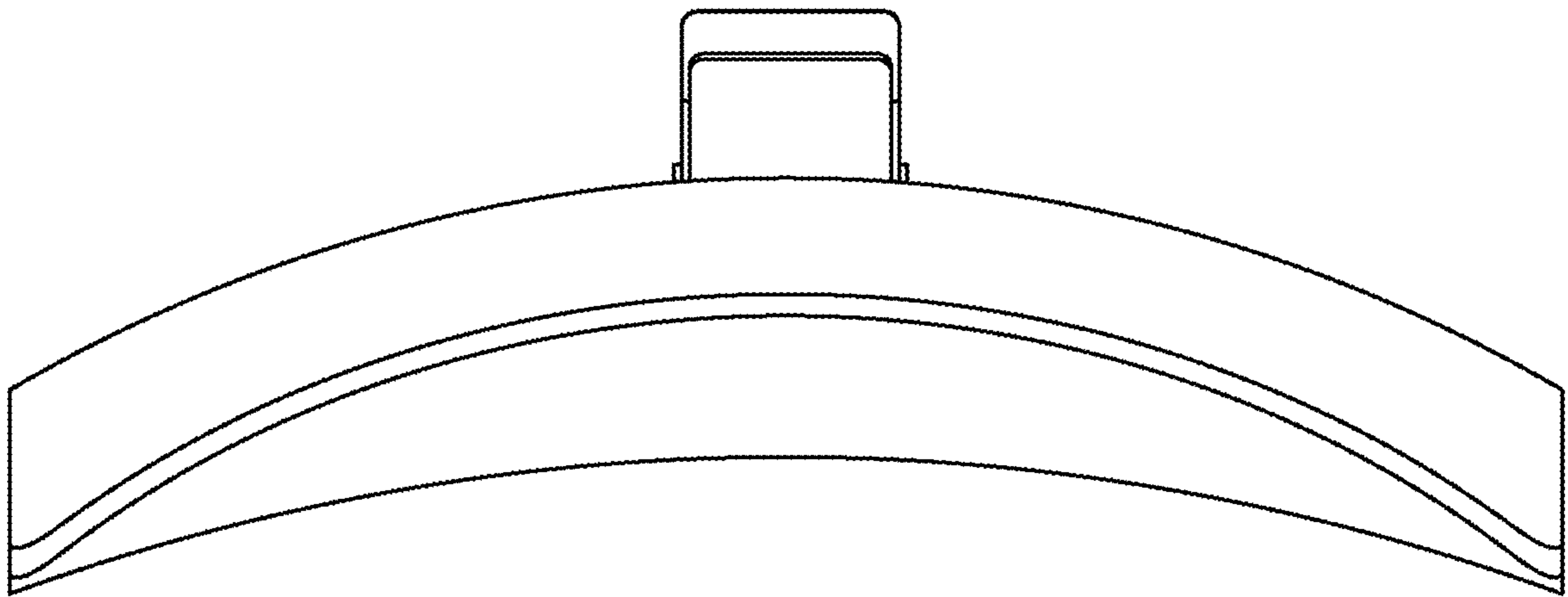


Fig. 6

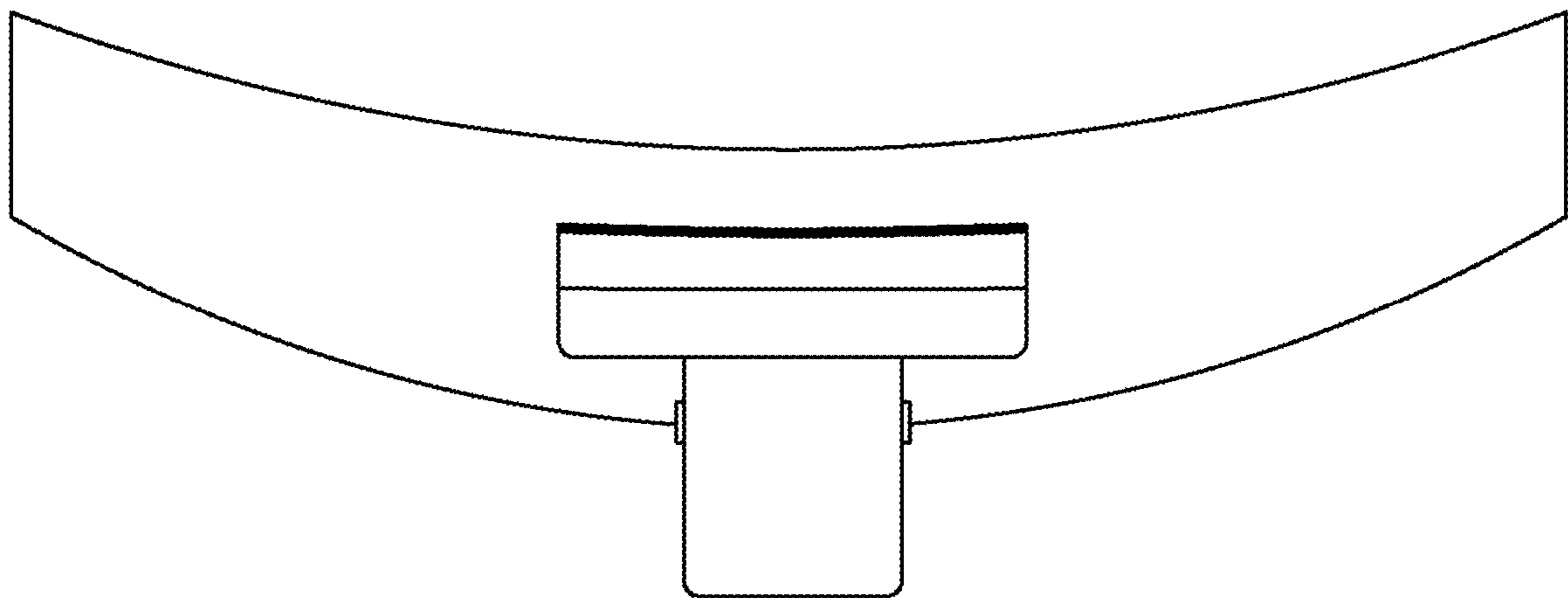


Fig. 7

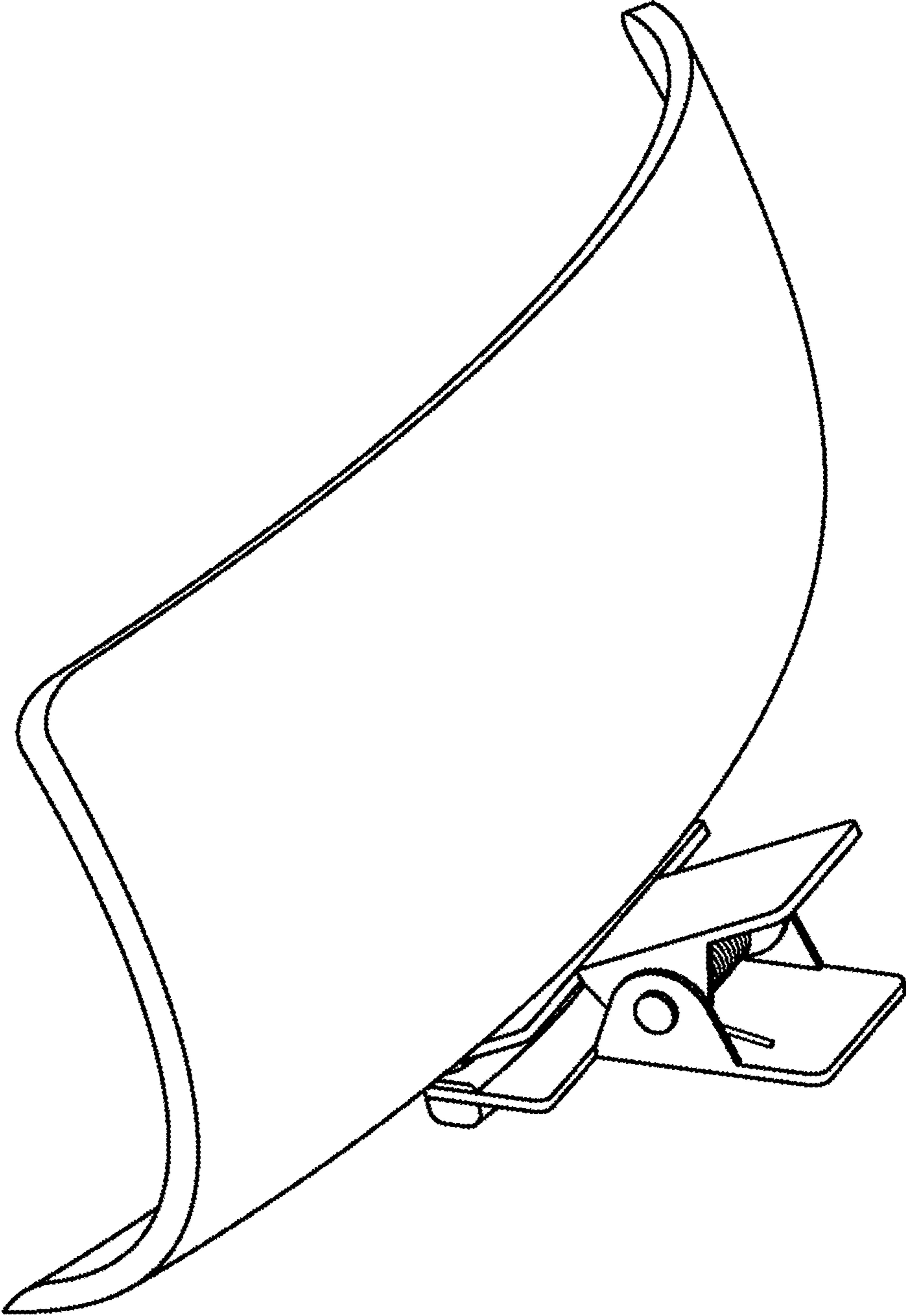


Fig. 8

