



US00D951011S

(12) **United States Design Patent**
Zhang

(10) **Patent No.:** **US D951,011 S**

(45) **Date of Patent:** **** May 10, 2022**

(54) **WATER BOTTLE FLEX CAP**
(71) Applicant: **Yongkang Qiqing Industry and Trade Co., Ltd., Jinhua (CN)**

D911,100 S * 2/2021 Chen D9/450
D922,819 S * 6/2021 Wang D9/450
D924,000 S * 7/2021 Chen D7/392.1
D930,438 S * 9/2021 Zhang D7/511
2020/0107667 A1* 4/2020 Ayres A47J 31/20

(72) Inventor: **Bo Zhang, Gongxian (CN)**

OTHER PUBLICATIONS

(**) Term: **15 Years**

Hydro Flask https://www.amazon.com/dp/B01KXHGWQU/ref=cm_sw_em_r_mt_dp_T3W31FW3RGRRHJK6DHNB Mar. 31, 2013 (Year: 2013).*

(21) Appl. No.: **29/778,166**

Straw Lid for Hydro Flask Apr. 5, 2019 https://www.amazon.com/dp/B07PVR8NR4/ref=cm_sw_em_r_mt_dp_78W5T8YGA3FX5QDA2H5M?_encoding=UTF8&psc=1 (Year: 2019).*

(22) Filed: **Apr. 12, 2021**

(51) **LOC (13) Cl.** **07-01**

(52) **U.S. Cl.**

USPC **D7/392.1**; D7/396.2

(58) **Field of Classification Search**

USPC D7/507, 510, 511, 523, 531, 532, 392.1, D7/396.2, 536; D9/517, 531; D3/202

CPC A47J 41/0077; A47J 41/02; B65D 47/066; A47G 19/2288; A47G 19/22

See application file for complete search history.

* cited by examiner

Primary Examiner — Jae Liang

(74) *Attorney, Agent, or Firm* — Rumit Ranjit Kanakia

(57)

CLAIM

I claim the ornamental design for a water bottle flex cap, as shown and described.

DESCRIPTION

FIG. 1 is a Perspective view of a water bottle flex cap showing my new design;

FIG. 2 is a Front view thereof;

FIG. 3 is a Back view thereof;

FIG. 4 is a Right-side view thereof;

FIG. 5 is a Left-side view thereof;

FIG. 6 is a Top view thereof;

FIG. 7 is a Bottom view thereof; and,

FIG. 8 is a Perspective view of a water bottle flex cap showing in handle upside.

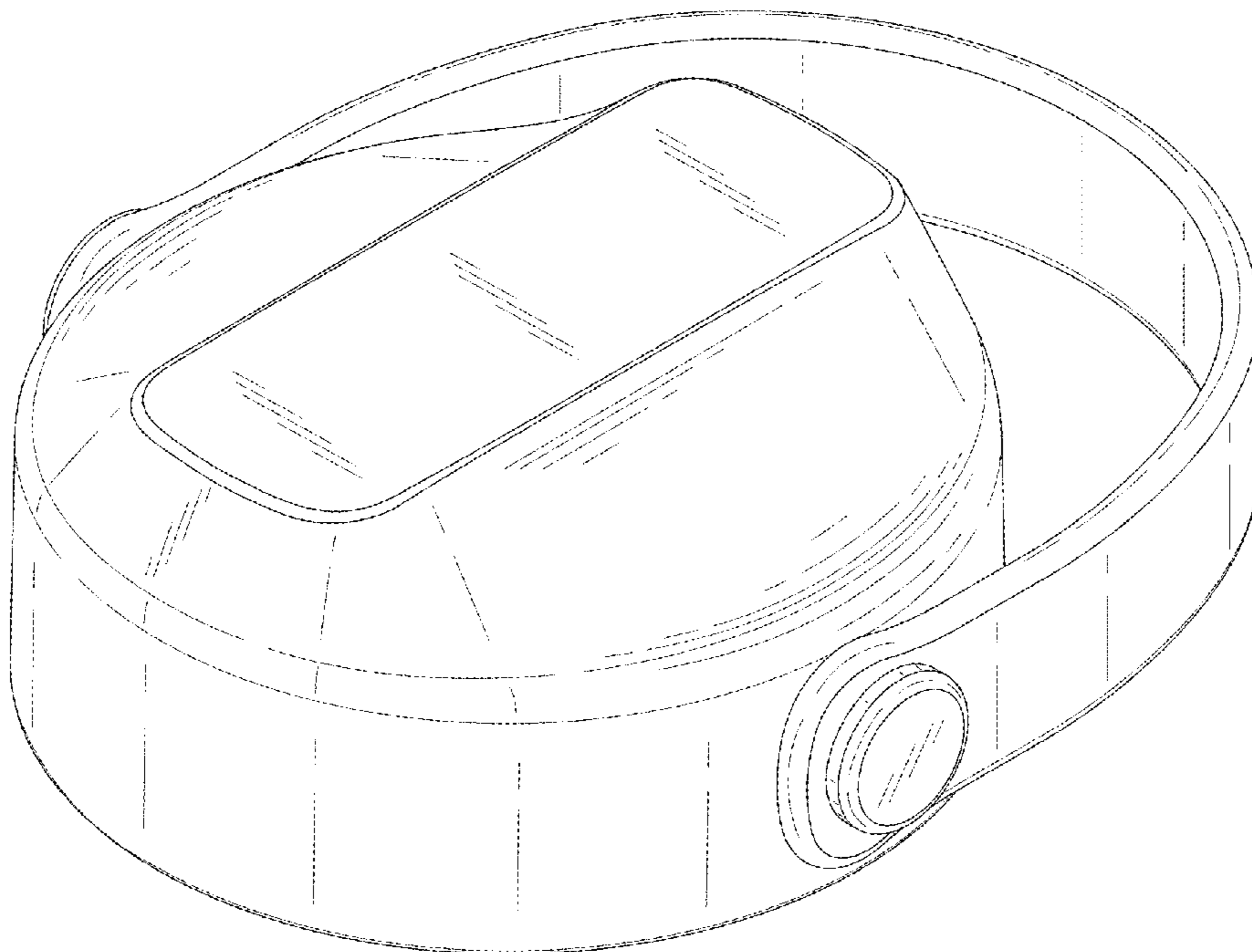
The broken lines in the drawings depict portions of the water bottle flex cap that form no part of the claimed design.

(56) **References Cited**

U.S. PATENT DOCUMENTS

D623,475 S * 9/2010 Aarnoudse D9/504
D720,218 S 12/2014 Hutson et al.
D786,012 S 5/2017 Hein et al.
D802,993 S 11/2017 Joseph et al.
D806,468 S 1/2018 Goodwin et al.
D857,446 S 8/2019 Bell et al.
D872,522 S * 1/2020 Diener D9/449
D886,517 S * 6/2020 Bo D7/392.1
D887,776 S * 6/2020 Bo D7/392.1
D893,245 S * 8/2020 Zhang D7/392.1
D900,539 S * 11/2020 Yao D7/392.1
D903,405 S * 12/2020 Zhang D7/392.1
D906,042 S * 12/2020 Chen D9/450

1 Claim, 6 Drawing Sheets



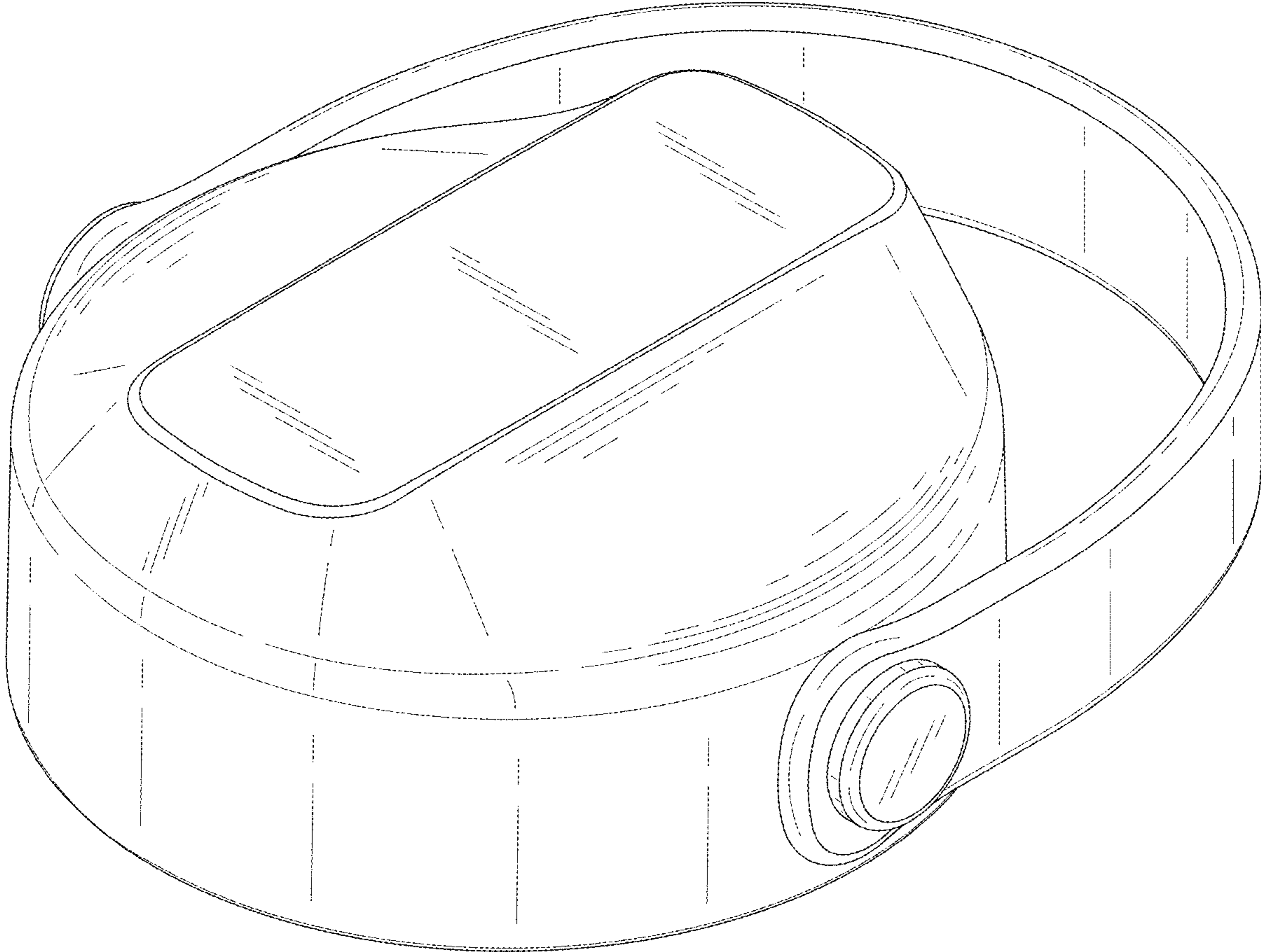


FIG. 1

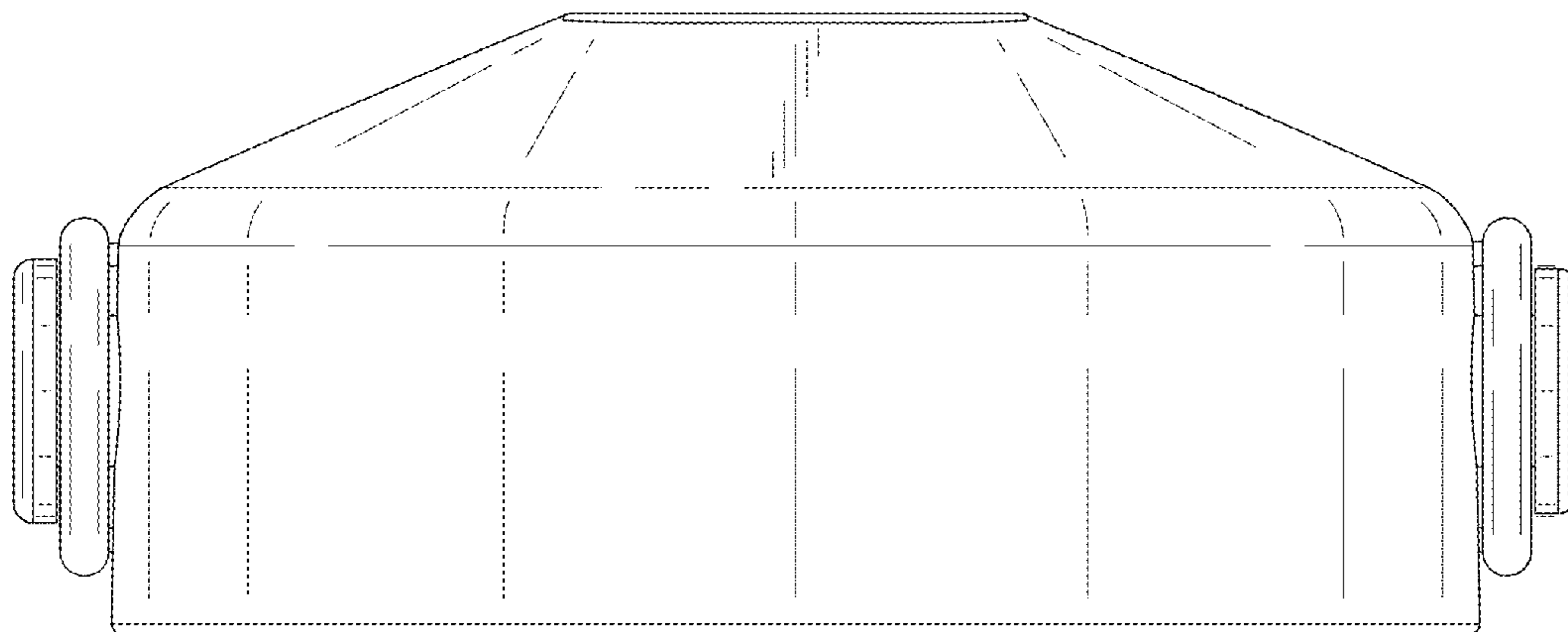


FIG. 2

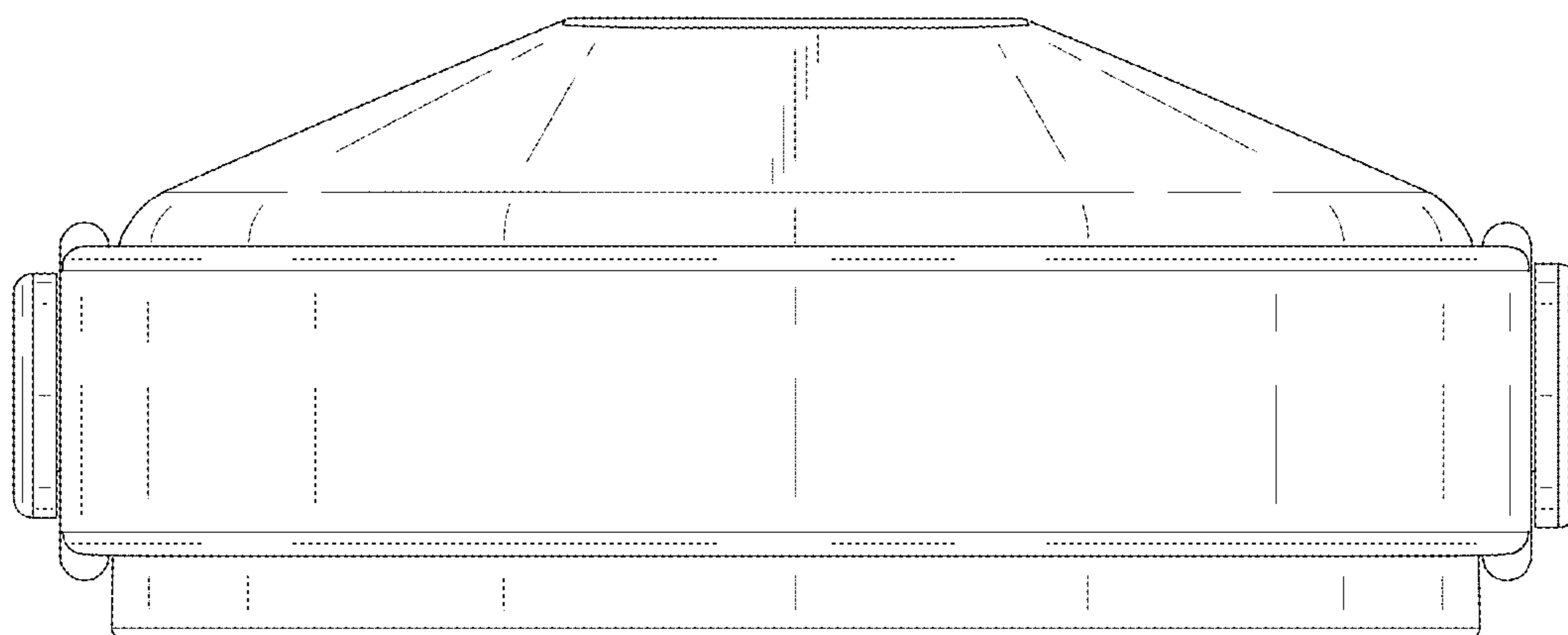


FIG. 3

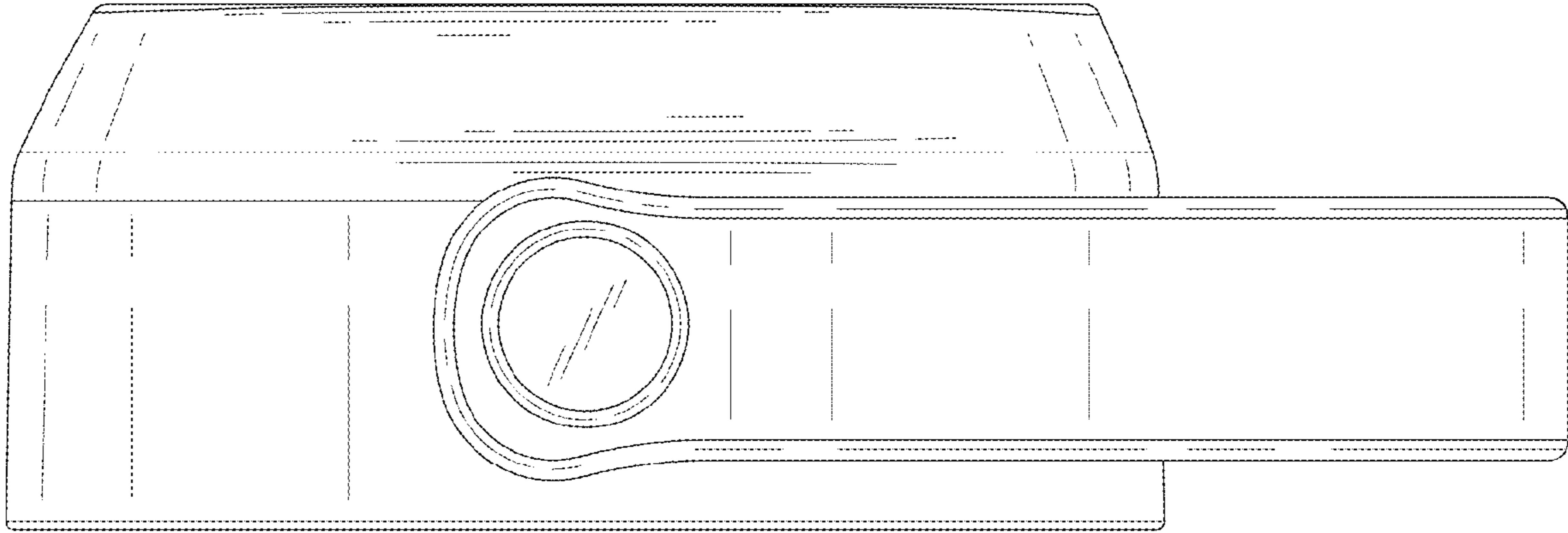


FIG. 4

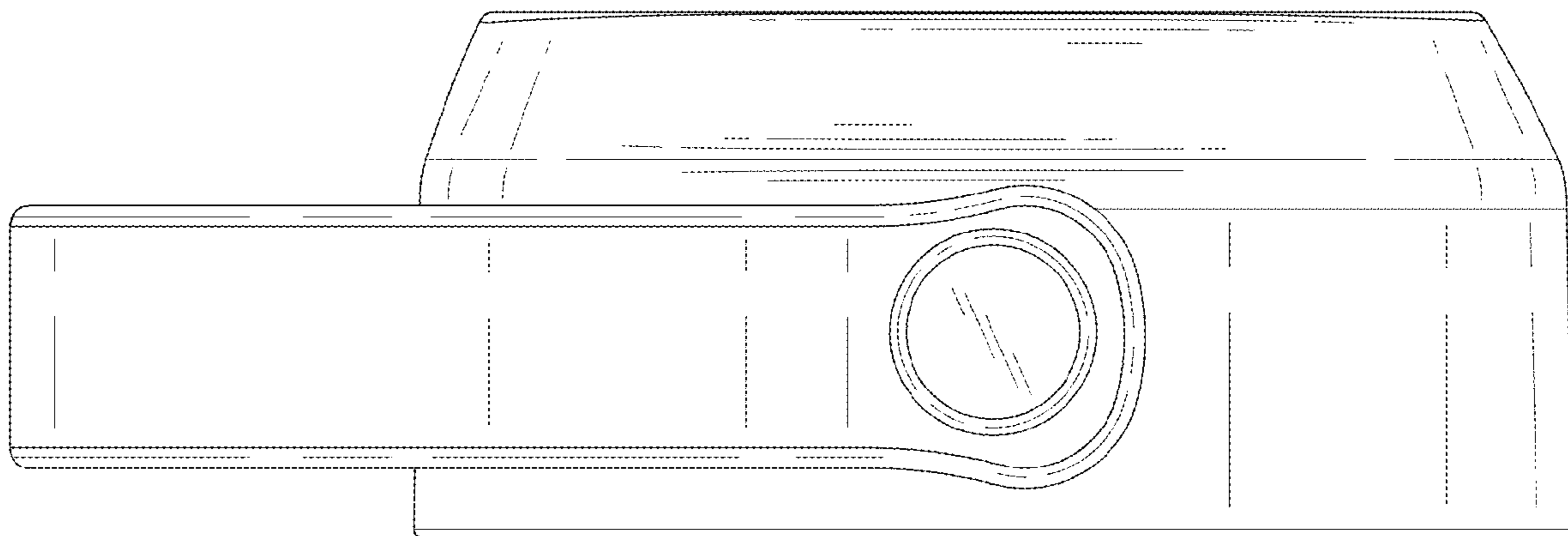


FIG. 5

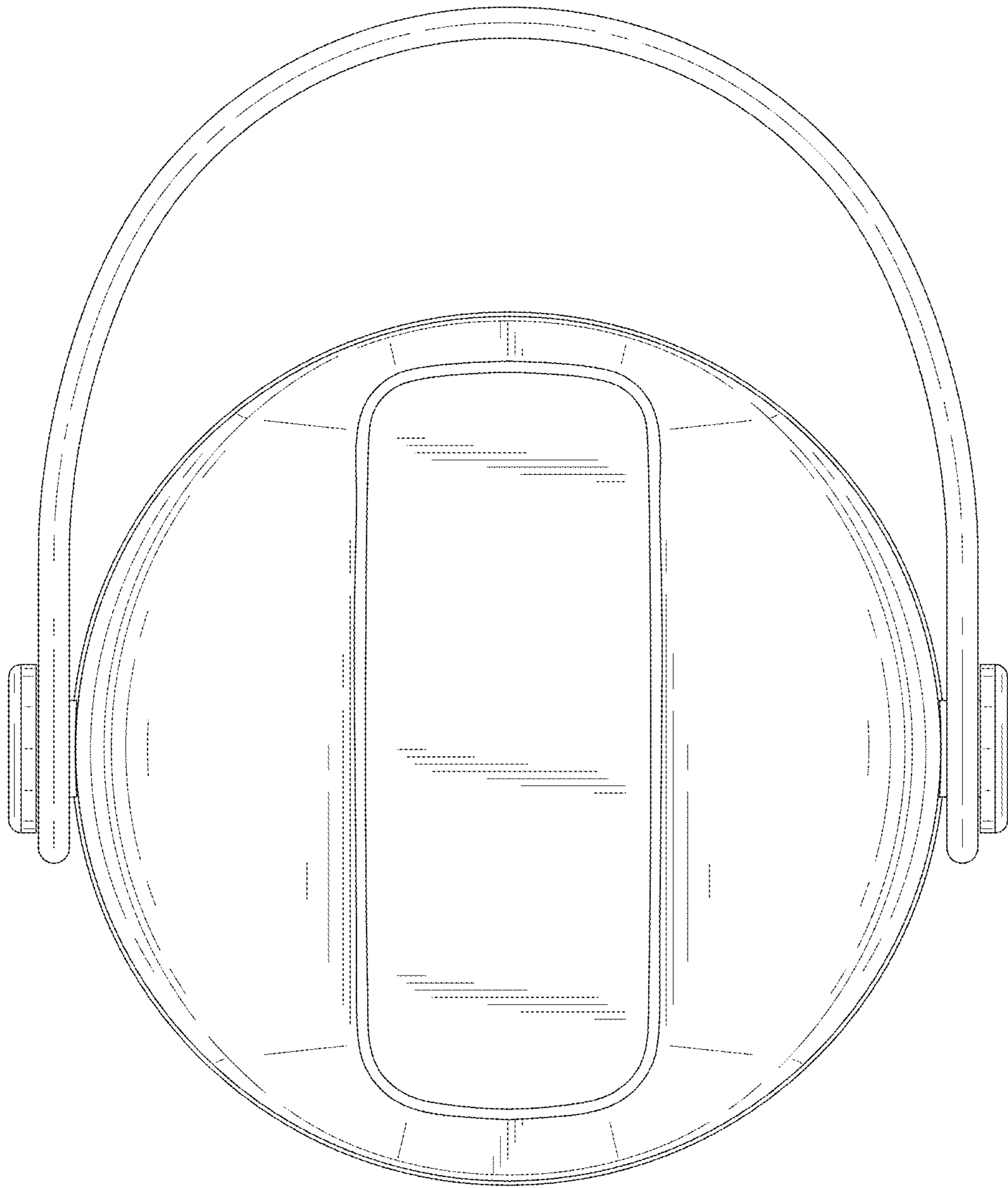


FIG. 6

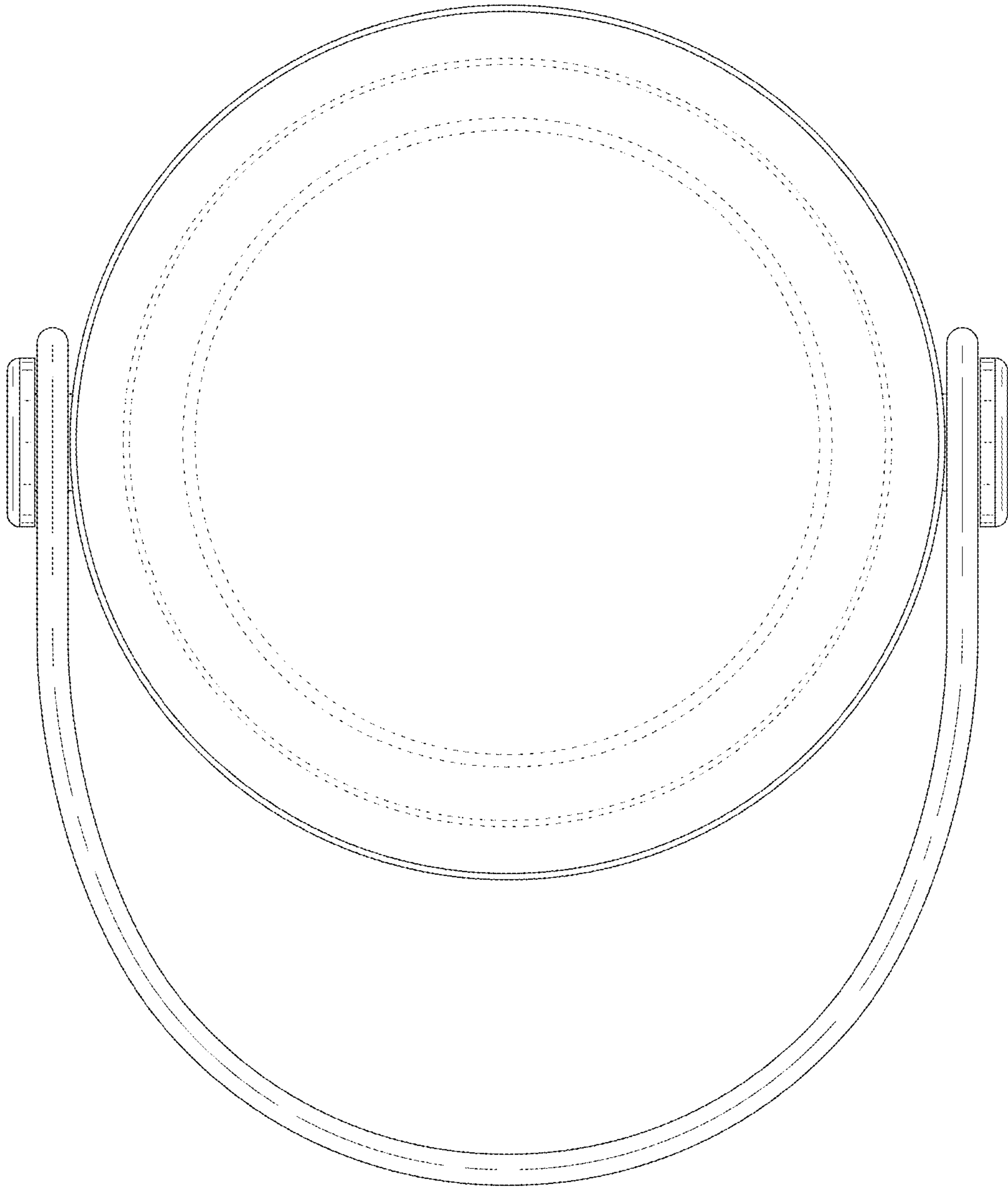


FIG. 7

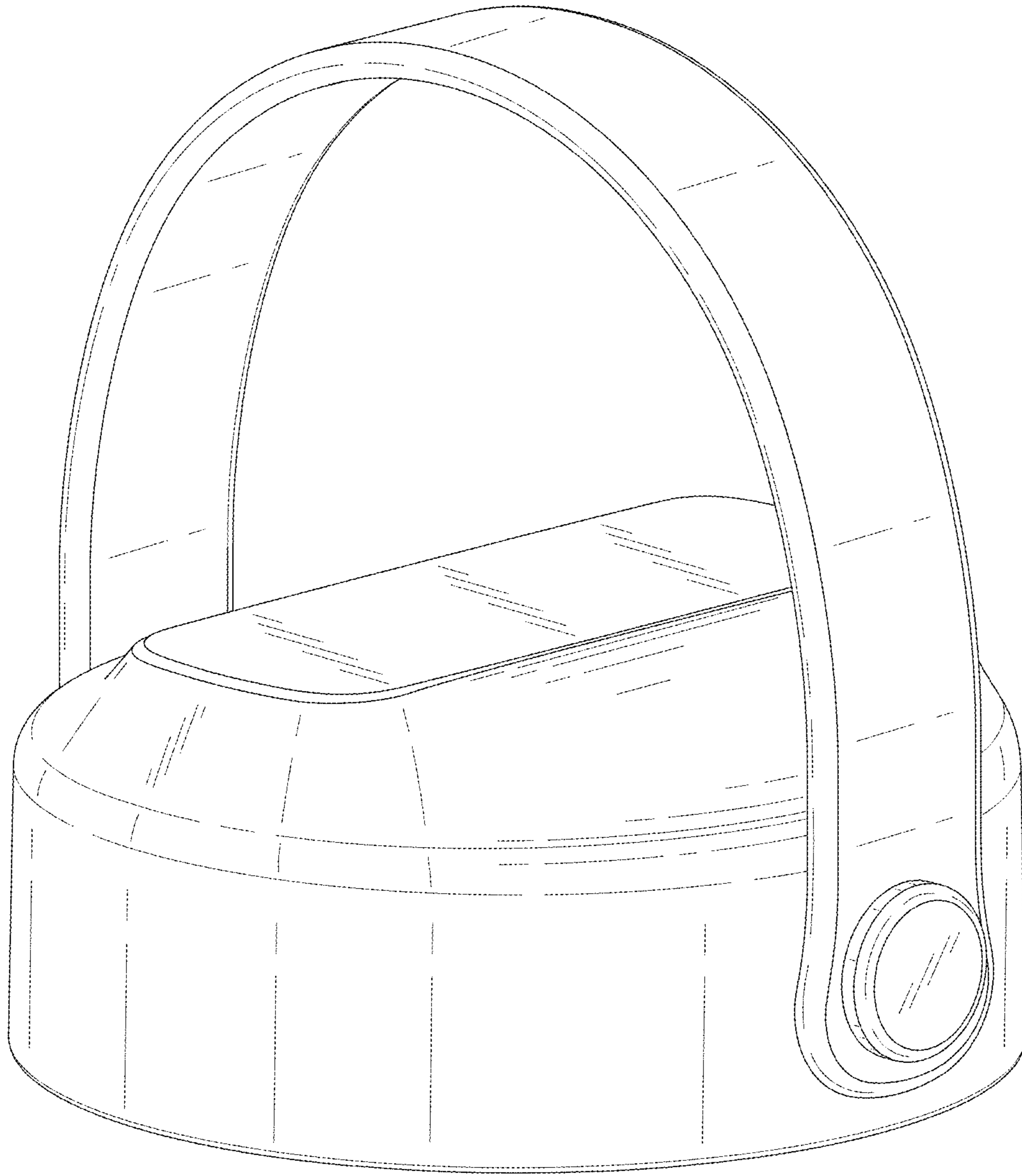


FIG. 8