



US00D951009S

(12) **United States Design Patent**
Dean et al.

(10) **Patent No.:** **US D951,009 S**
(45) **Date of Patent:** **** May 10, 2022**

- (54) **LID**
- (71) Applicant: **The Coleman Company, Inc.**, Wichita, KS (US)
- (72) Inventors: **Matthew Brian Dean**, Parchment, MI (US); **Sean Thomas Eurich**, Portage, MI (US)
- (73) Assignee: **The Coleman Company, Inc.**, Wichita, KS (US)
- (**) Term: **15 Years**
- (21) Appl. No.: **29/708,576**
- (22) Filed: **Oct. 8, 2019**
- (51) **LOC (13) Cl.** **07-99**
- (52) **U.S. Cl.**
USPC **D7/392.1; D9/449**
- (58) **Field of Classification Search**
USPC D7/392, 392.1, 413, 509, 510, 534;
D9/435, 447, 449
CPC A47G 19/2272; A47G 19/22; B65D 43/02;
B65D 47/08
See application file for complete search history.

- D885,829 S * 6/2020 Bodum D7/392.1
- D902,648 S * 11/2020 Wang D7/392.1
- D911,769 S * 3/2021 McCabe D7/392.1
- D913,035 S * 3/2021 McCabe D7/392.1
- D918,719 S * 5/2021 Tamarindo D9/446
- D921,422 S * 6/2021 McCabe D7/392.1
- D927,924 S * 8/2021 Lane D7/392
- D931,102 S * 9/2021 Asprey D9/449

FOREIGN PATENT DOCUMENTS

CN 306153655 * 11/2020

* cited by examiner

Primary Examiner — S. Bryan Reinholdt, Jr.

(74) *Attorney, Agent, or Firm* — Husch Blackwell LLP

(57) **CLAIM**

We claim the ornamental design for a lid, as shown and described.

DESCRIPTION

FIG. 1 is a perspective view of a lid according to our new design, shown in a closed configuration; FIG. 2 is a top plan view thereof; FIG. 3 is a front elevation view thereof; FIG. 4 is a left side elevation view thereof; FIG. 5 is a rear elevation view thereof; FIG. 6 is a right side elevation view thereof; and, FIG. 7 is a perspective view of the lid of FIG. 1, shown in an open configuration.

1 Claim, 5 Drawing Sheets

(56) **References Cited**

U.S. PATENT DOCUMENTS

- D661,945 S * 6/2012 Eyal D7/392.1
- D711,230 S * 8/2014 den Boer D9/449
- D878,854 S * 3/2020 Lee D7/392.1

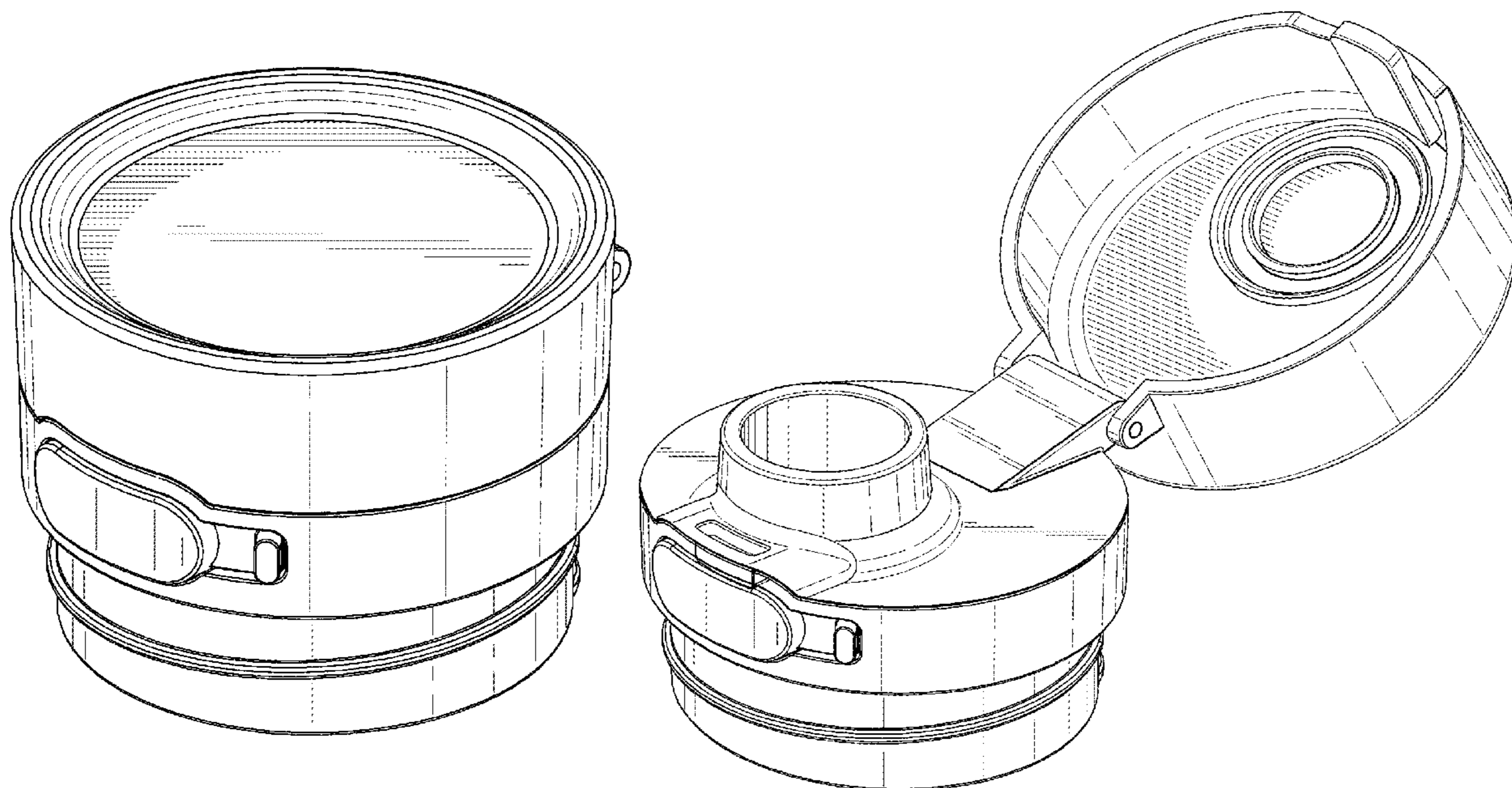


FIG. 1

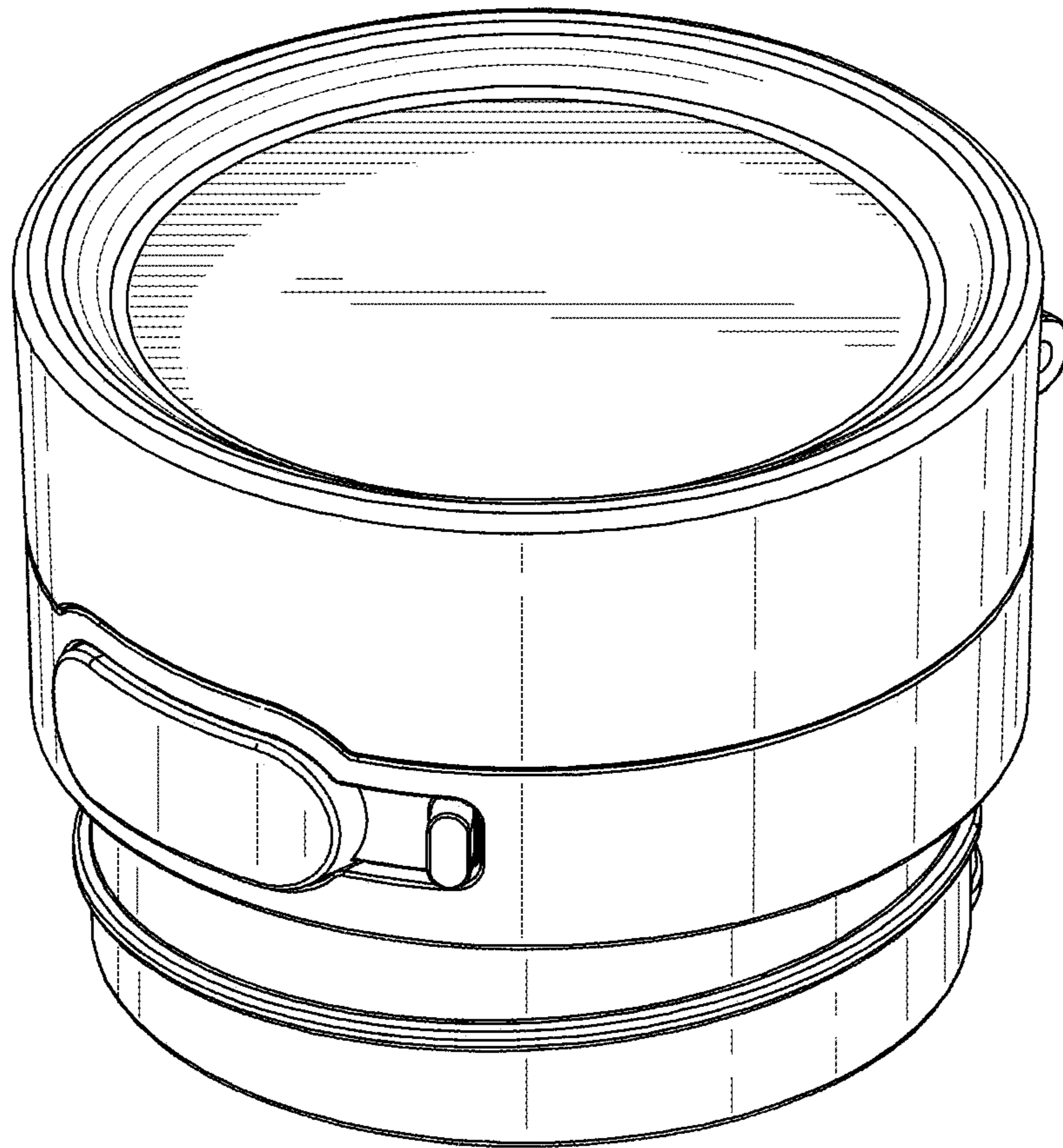


FIG. 2

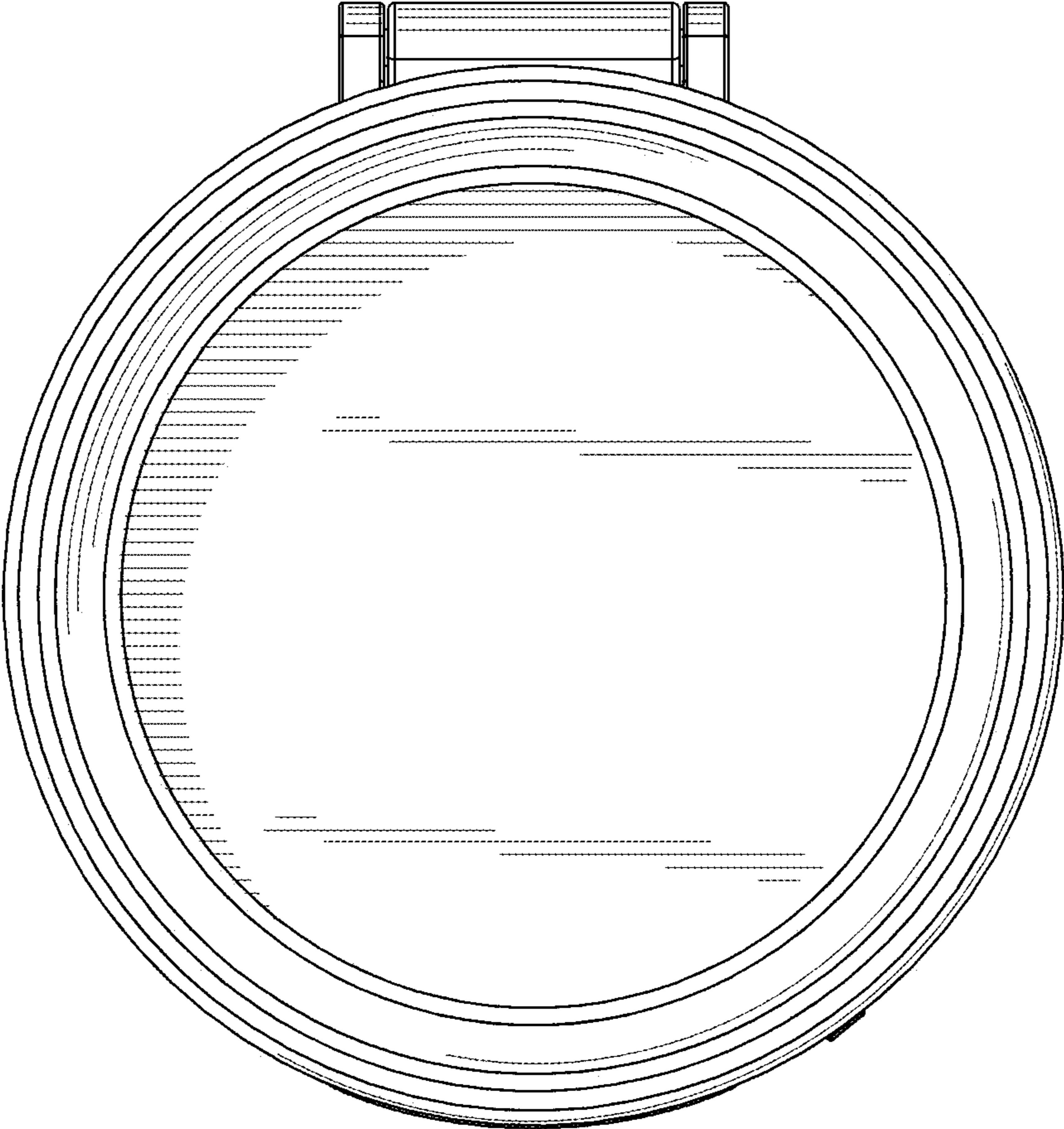


FIG. 3

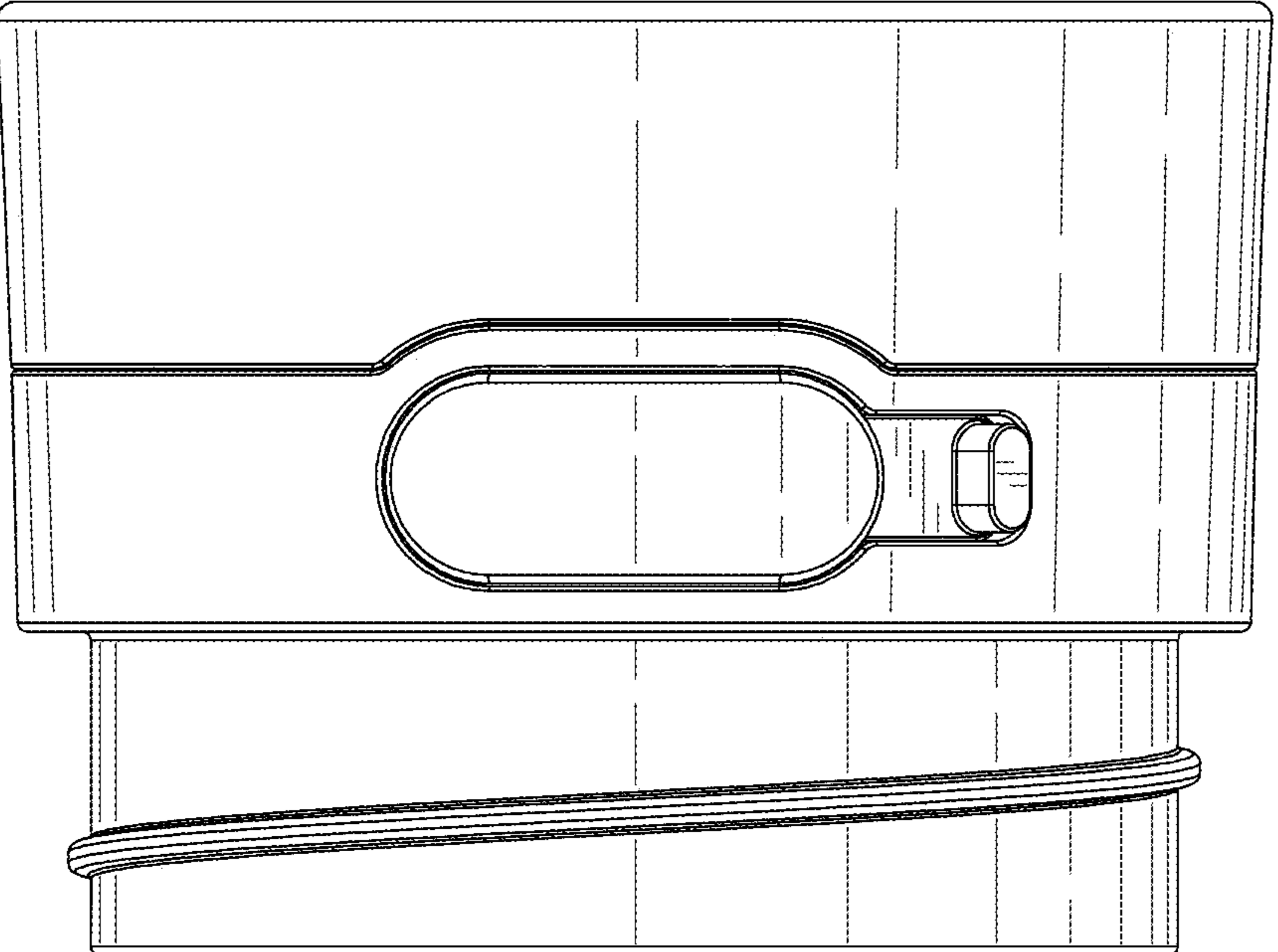


FIG. 4

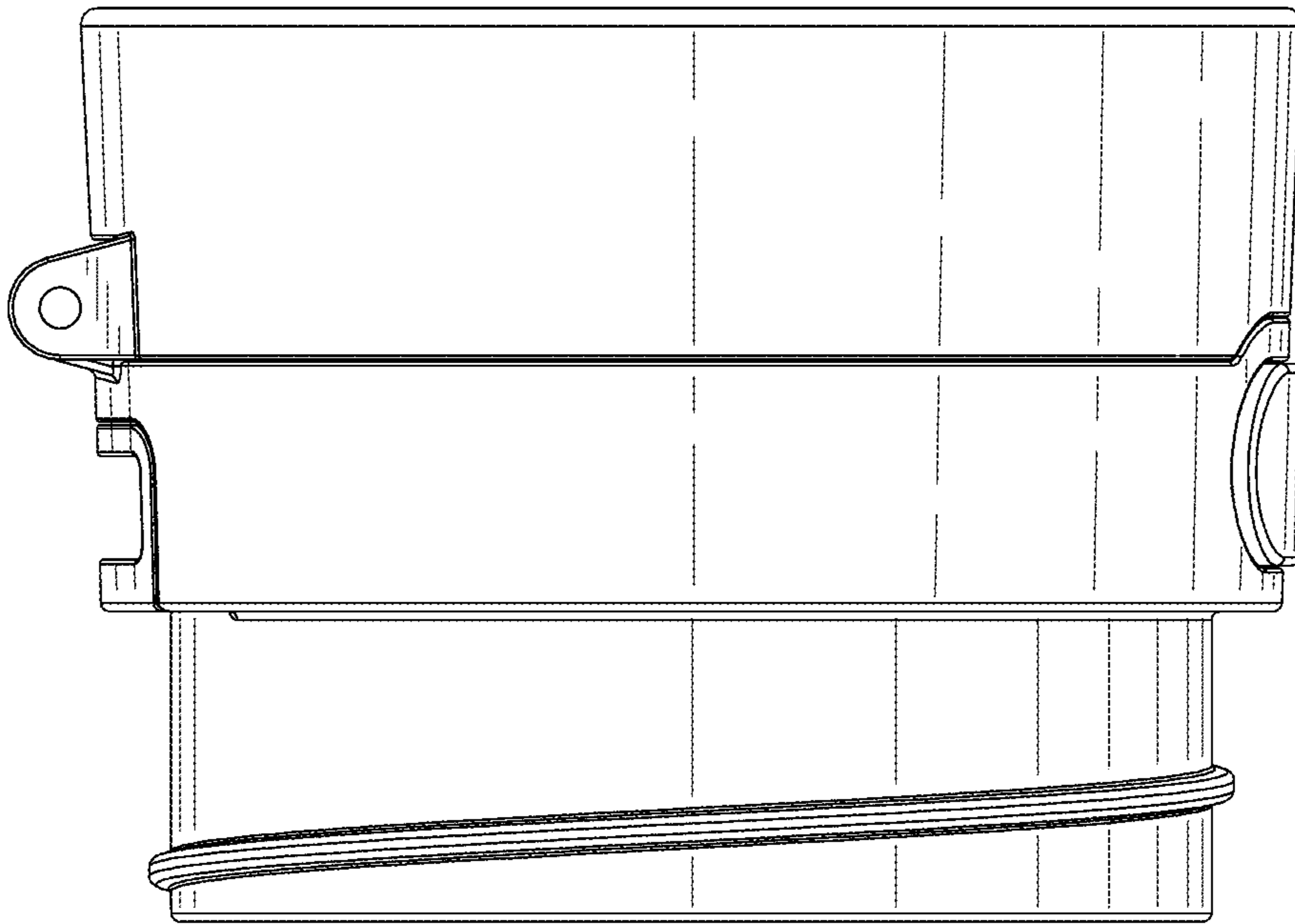


FIG. 5

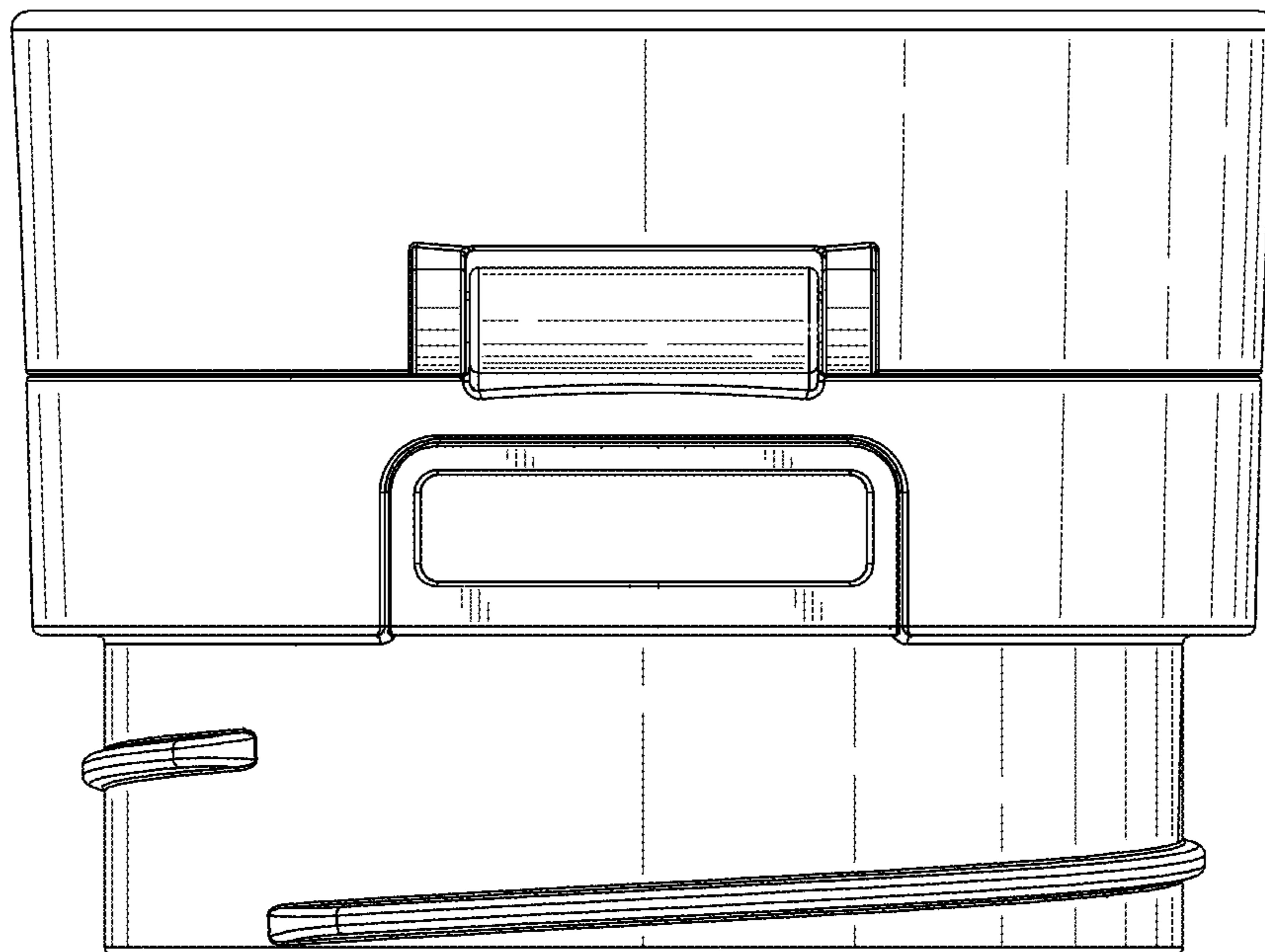


FIG. 6

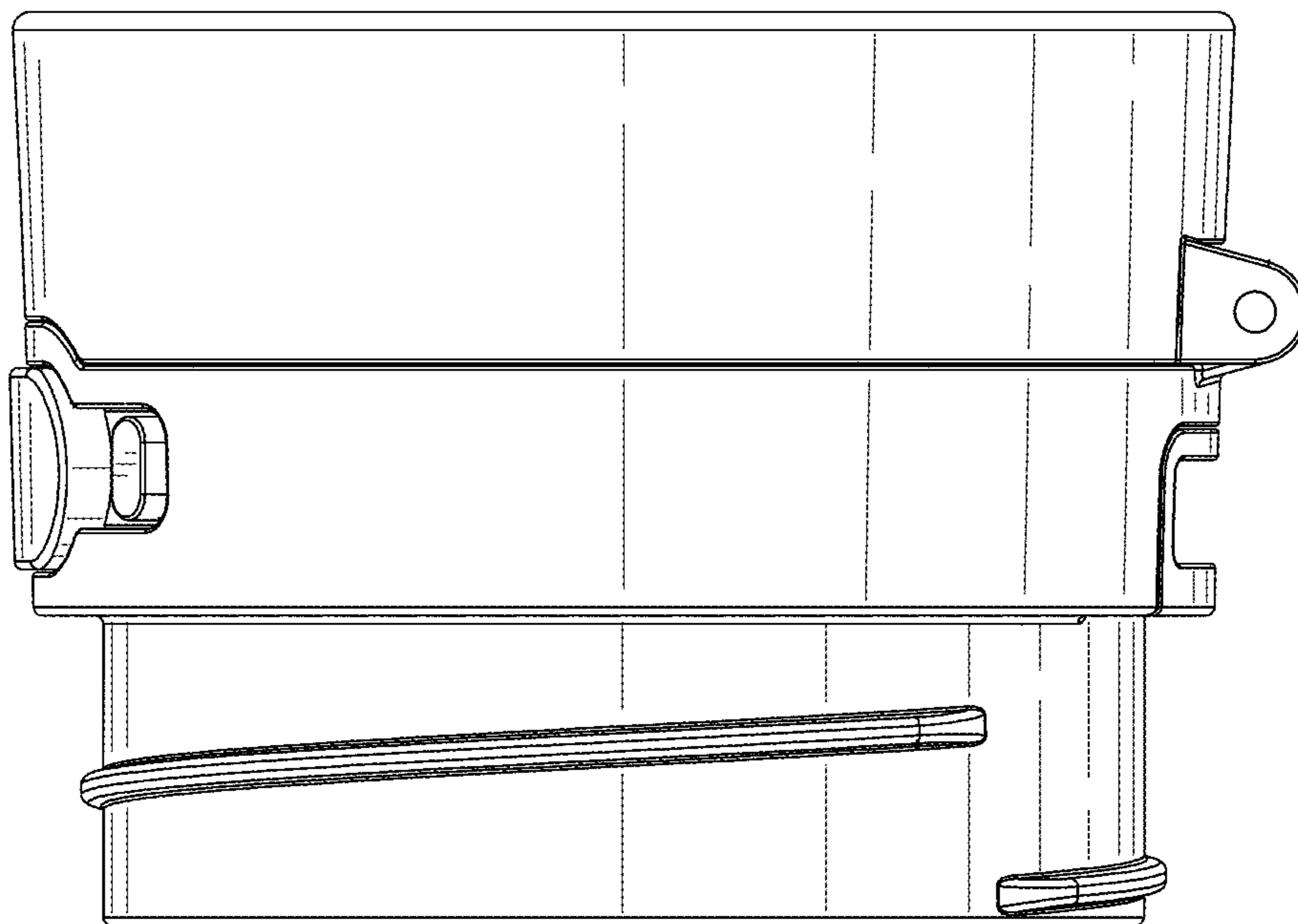


FIG. 7

