



US00D951008S

(12) **United States Design Patent** (10) **Patent No.:** **US D951,008 S**  
**Tsai** (45) **Date of Patent:** **\*\* May 10, 2022**

(54) **POT LID**

- (71) Applicant: **KE M.O. HOUSE CO., LTD.**,  
Shenzhen (CN)
- (72) Inventor: **Mo-Tsan Tsai**, Shenzhen (CN)
- (73) Assignee: **KE M.O. HOUSE CO., LTD.**,  
Shenzhen (CN)
- (\*\*) Term: **15 Years**

(21) Appl. No.: **29/718,567**

(22) Filed: **Dec. 26, 2019**

(51) **LOC (13) Cl.** ..... **07-02**

(52) **U.S. Cl.**

USPC ..... **D7/391**; D7/354

(58) **Field of Classification Search**

USPC ..... D7/323, 354-363, 391, 393-396, 409;  
D9/439; D28/82

CPC ..... A47G 19/12; A47J 27/00; A47J 27/002;  
A47J 27/08; A47J 27/0811; A47J 27/21;  
A47J 27/58; A47J 36/025; A47J 36/06;  
A47J 36/12; A47J 37/00; A47J 37/10;  
A47J 37/101; A47J 37/103; A47J 37/12;  
A47J 37/1204; A47J 45/061; A47J  
45/071; A47J 45/08; B65D 25/28; B65D  
45/22; B65D 51/1672; H05B 6/12

See application file for complete search history.

(56) **References Cited**

**U.S. PATENT DOCUMENTS**

D416,437 S	*	11/1999	Cheng	.....	D7/391
D458,076 S	*	6/2002	Hoekstra	.....	D7/360
D473,101 S	*	4/2003	Burton	.....	D7/391
D475,886 S	*	6/2003	Burton	.....	D7/391
D514,877 S	*	2/2006	Tetreault	.....	D7/391
D571,145 S	*	6/2008	Rae	.....	D7/391
D578,342 S	*	10/2008	Rae	.....	D7/391
D587,519 S	*	3/2009	Cheng	.....	D7/360

(Continued)

**OTHER PUBLICATIONS**

Cuisinart MultiClad Pro Stainless Steel 2-Quart Saucepan with Cover. Date First Available on Amazon.com Oct. 23, 2012. <https://www.amazon.com/Cuisinart-MCP19-18N-MultiClad-Stainless-Saucepan/dp/B009P48318/ref> (Year: 2012).\*

*Primary Examiner* — Ricky Pham

(74) *Attorney, Agent, or Firm* — Hauptman Ham, LLP

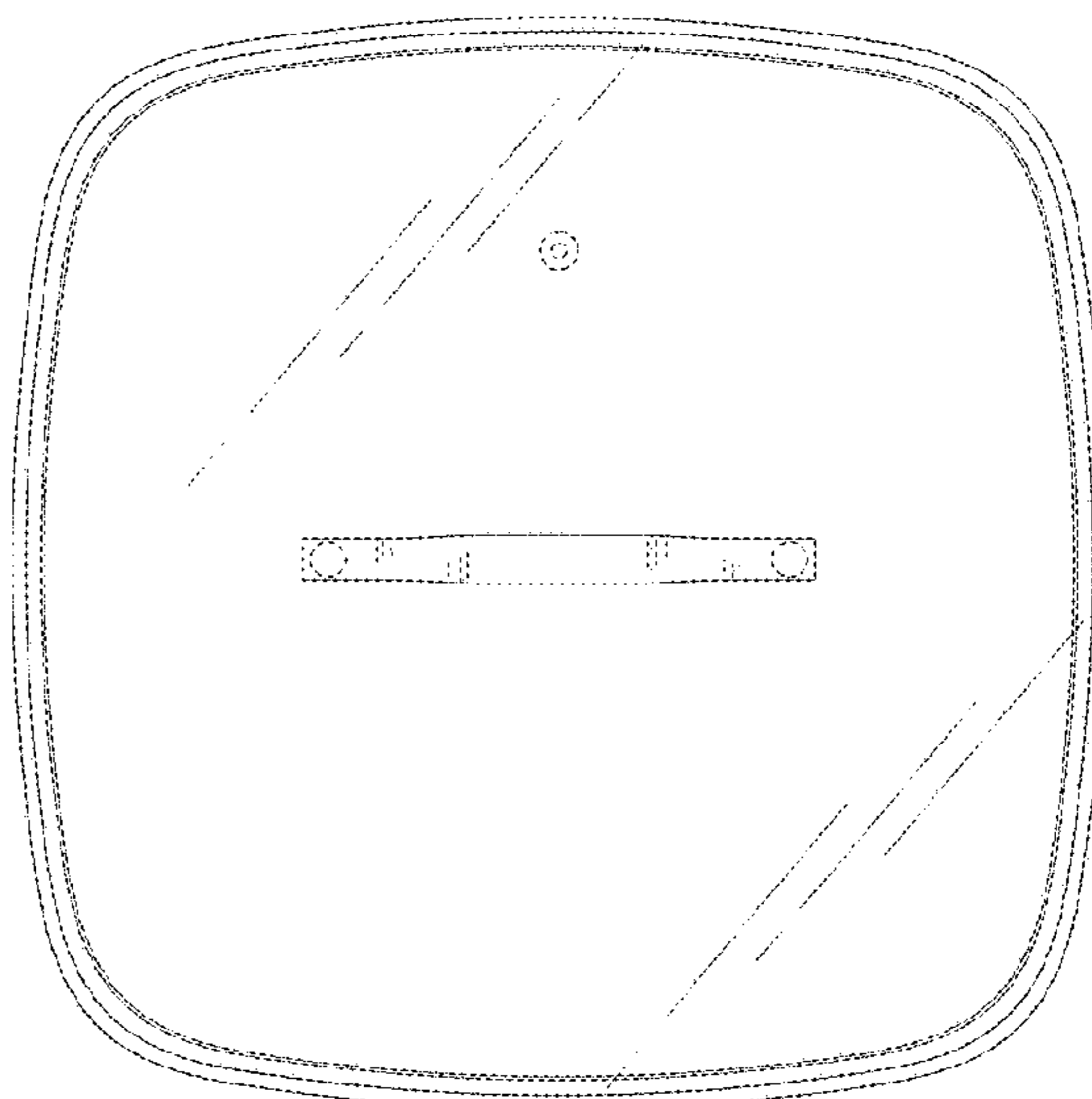
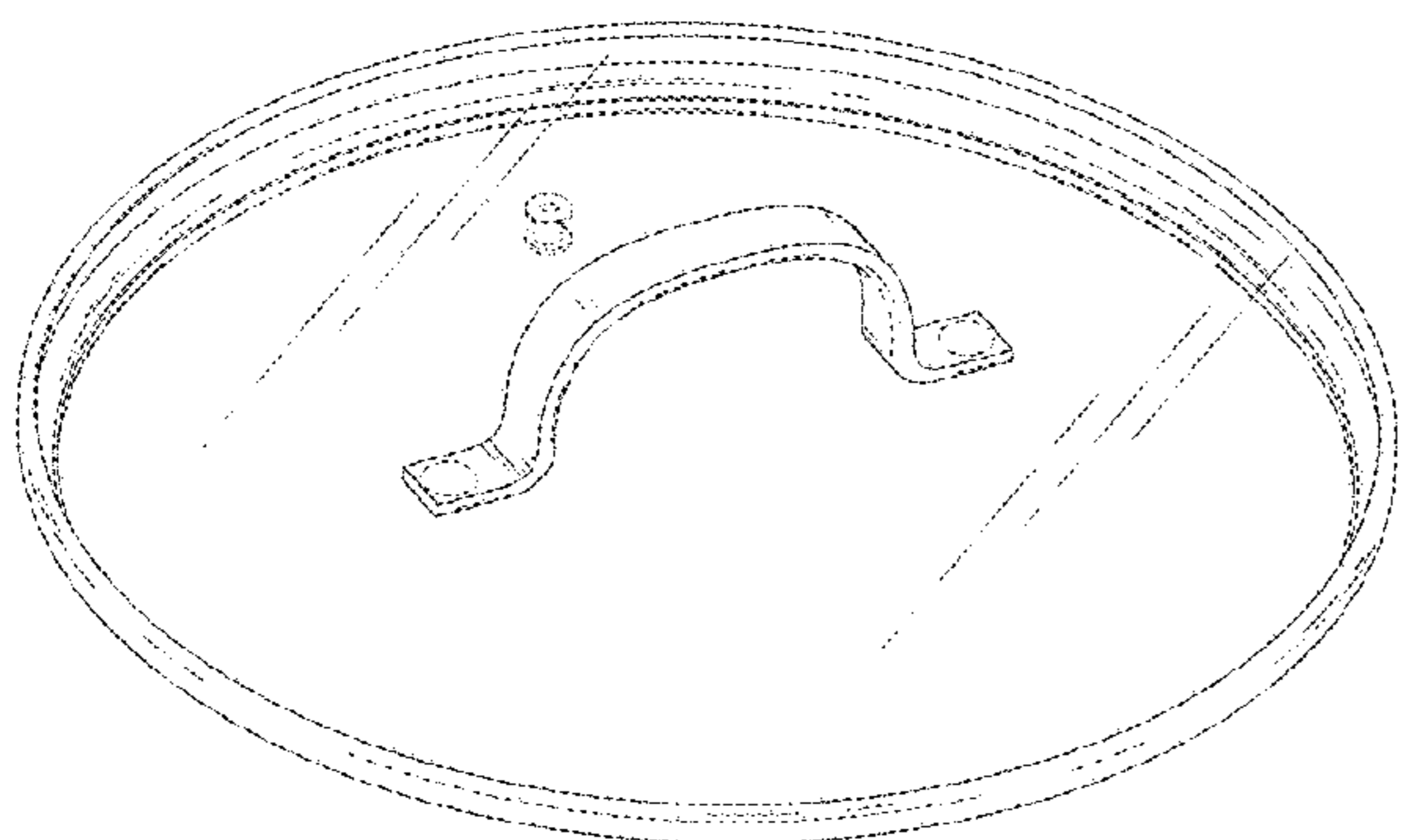
(57) **CLAIM**

The ornamental design for a pot lid, as shown and described.

**DESCRIPTION**

FIG. 1 is a front perspective view of a first embodiment of a pot lid showing my new design.  
 FIG. 2 is a front view thereof.  
 FIG. 3 is a rear view thereof.  
 FIG. 4 is a left side view thereof.  
 FIG. 5 is a right side view thereof.  
 FIG. 6 is a top side view thereof.  
 FIG. 7 is a bottom side view thereof.  
 FIG. 8 is a section view at Y-Y of FIG. 4 thereof.  
 FIG. 9 is a section view at X-X of FIG. 2 thereof.  
 FIG. 10 is a section view in used state thereof.  
 FIG. 11 is a section view in another used state thereof.  
 FIG. 12 is a front view of a second embodiment of a pot lid showing my new design.  
 FIG. 13 is a rear view thereof.  
 FIG. 14 is a left side view thereof.  
 FIG. 15 is a right side view thereof.  
 FIG. 16 is a top side view thereof.  
 FIG. 17 is a bottom side view thereof.  
 FIG. 18 is a section view at Y-Y of FIG. 14 thereof.  
 FIG. 19 is a section view at X-X of FIG. 12 thereof.  
 FIG. 20 is a section view in used state thereof; and,  
 FIG. 21 is a section view in another used state thereof.  
 The broken lines in figures show portions of the pot lid and environment that form no part of the claimed design.

**1 Claim, 9 Drawing Sheets**



(56)

**References Cited**

U.S. PATENT DOCUMENTS

D620,744 S	*	8/2010	Rose .....	D7/354
D664,804 S	*	8/2012	Cheng .....	D7/354
D757,486 S	*	5/2016	Steiner .....	D7/354
D830,117 S	*	10/2018	Shieh .....	D7/391
D843,774 S	*	3/2019	Lam .....	D7/354

\* cited by examiner

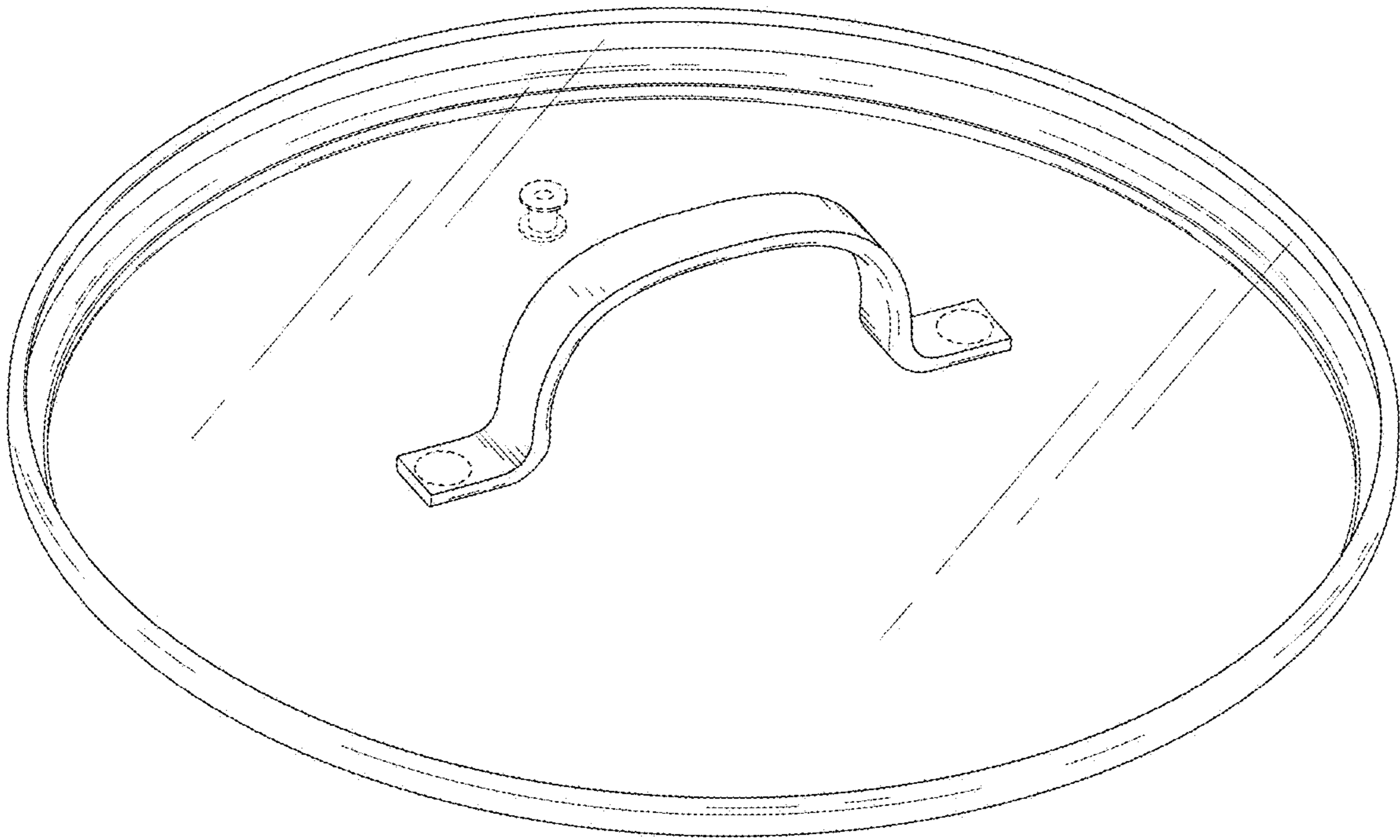


FIG. 1

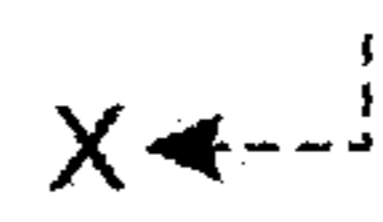
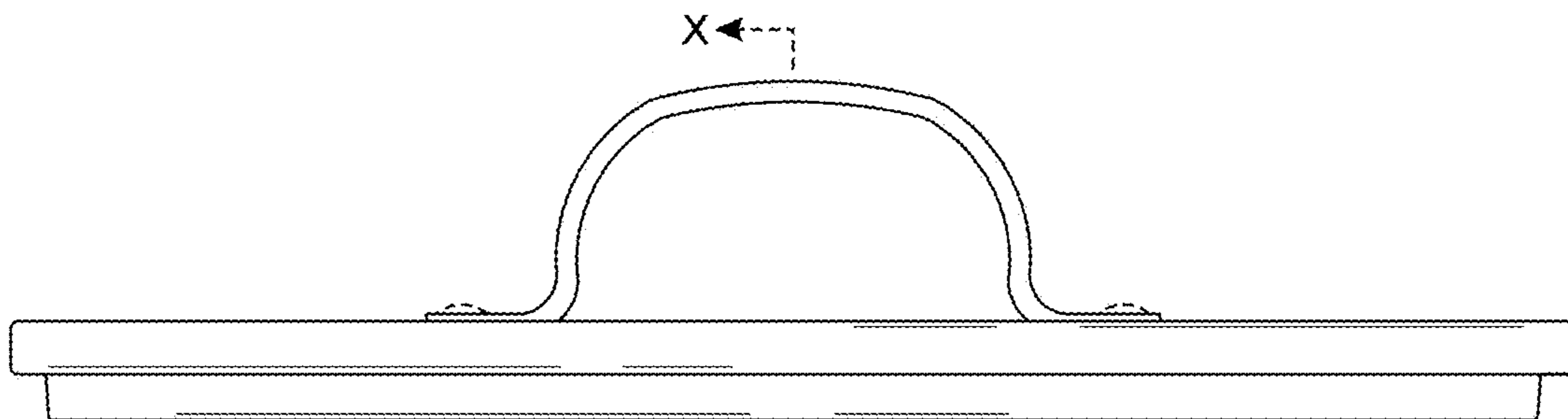


FIG. 2

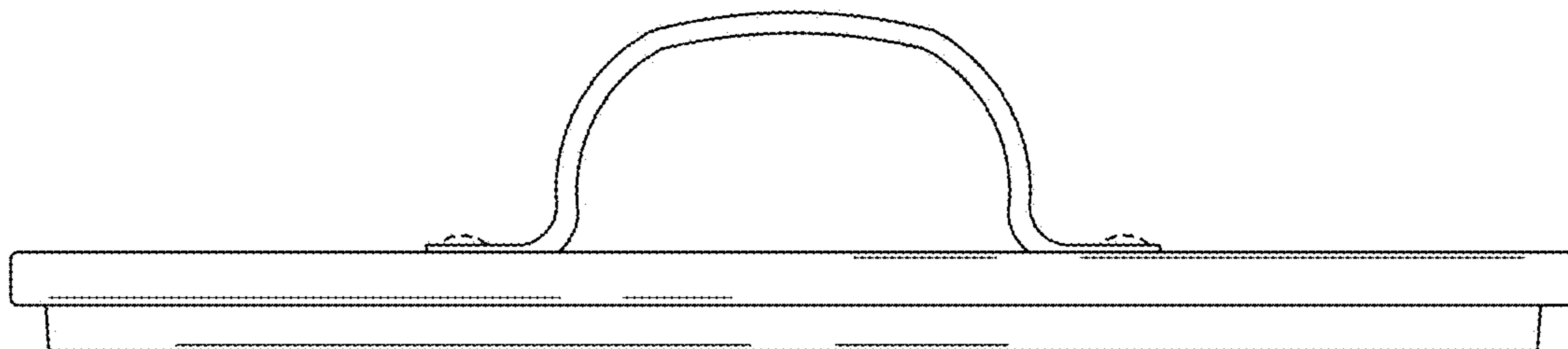


FIG. 3

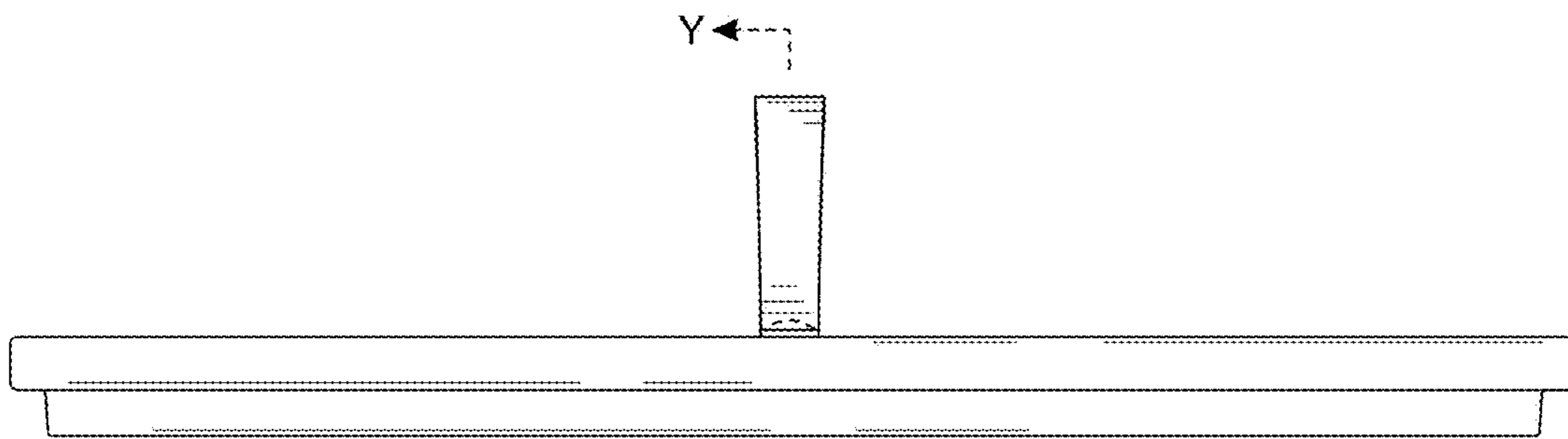


FIG. 4

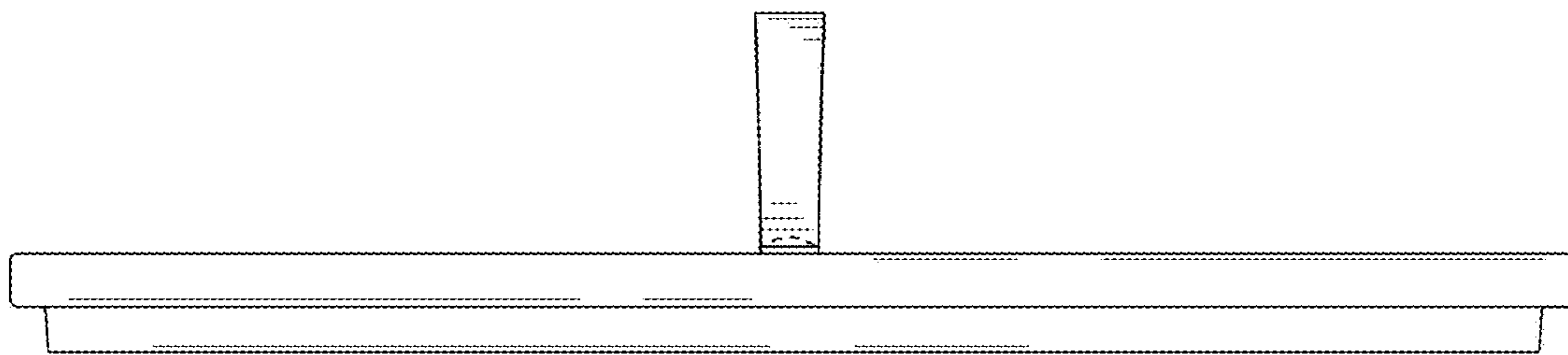


FIG. 5

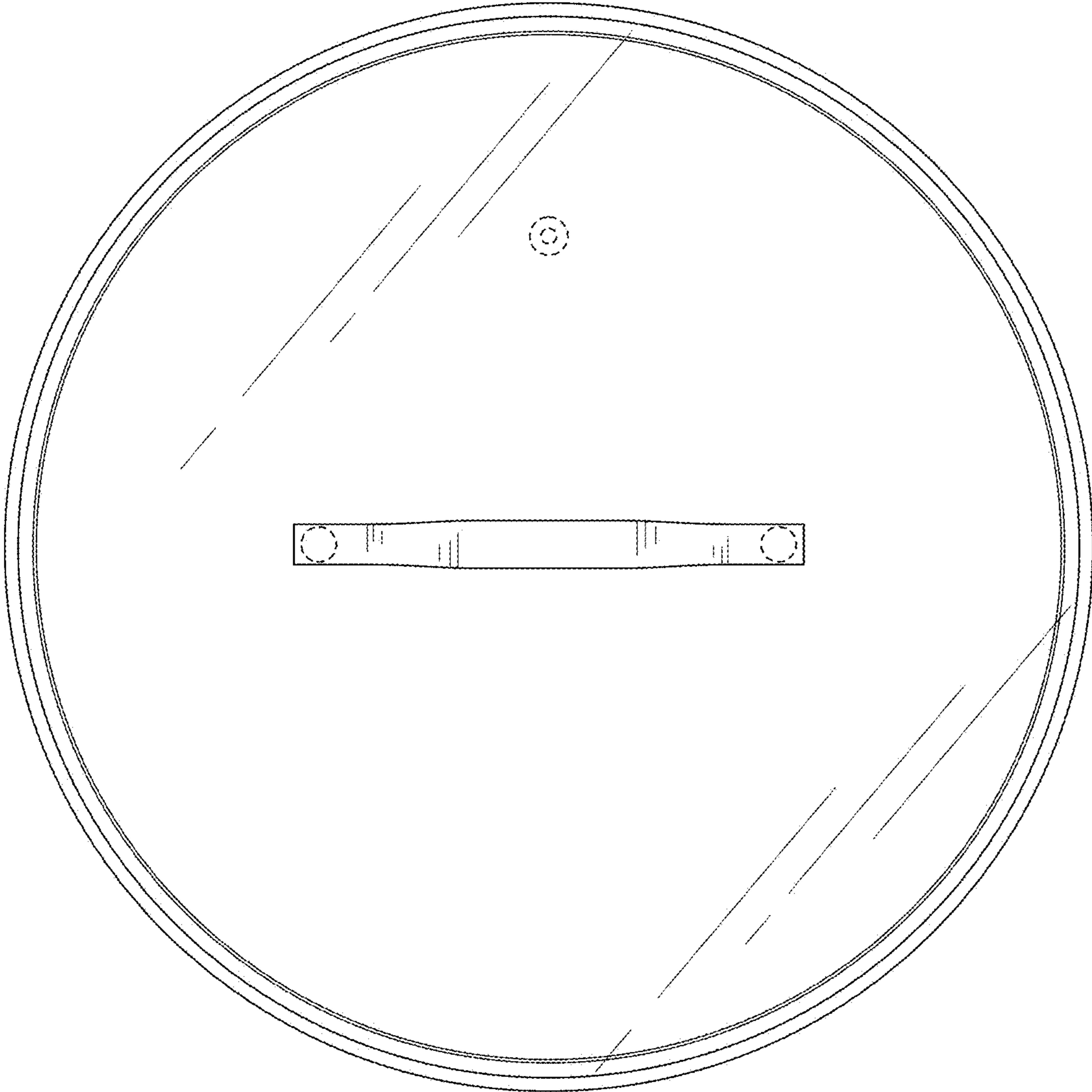


FIG. 6

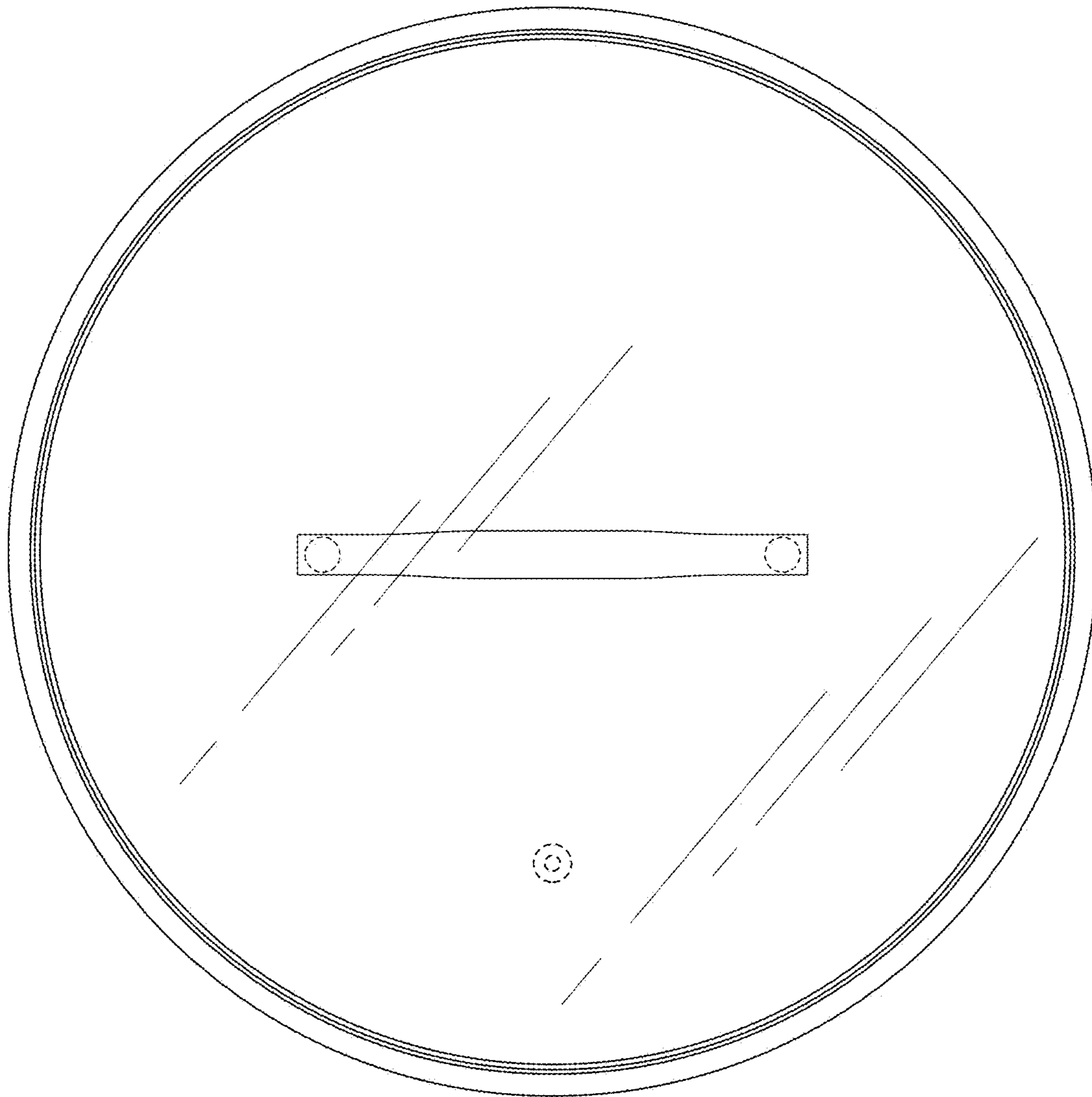


FIG. 7

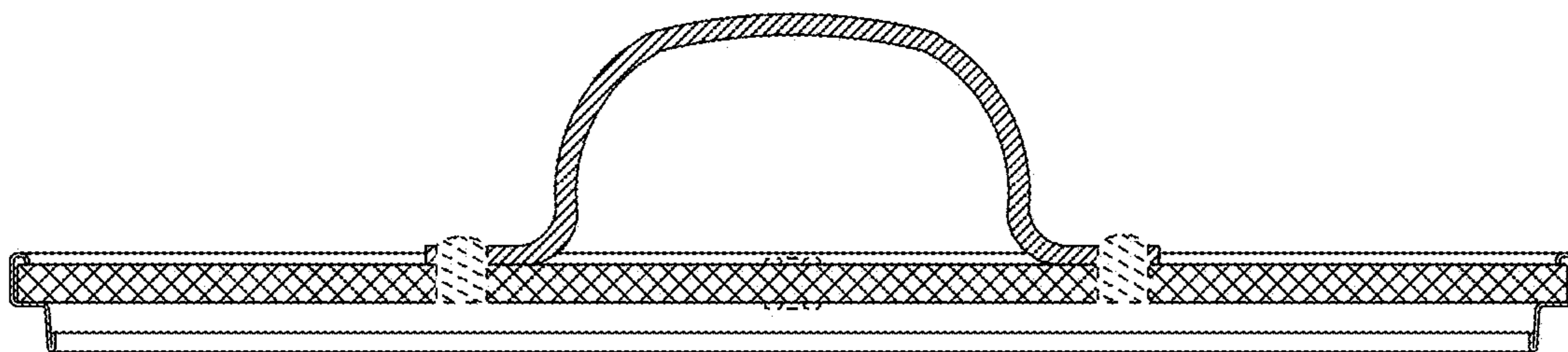


FIG. 8

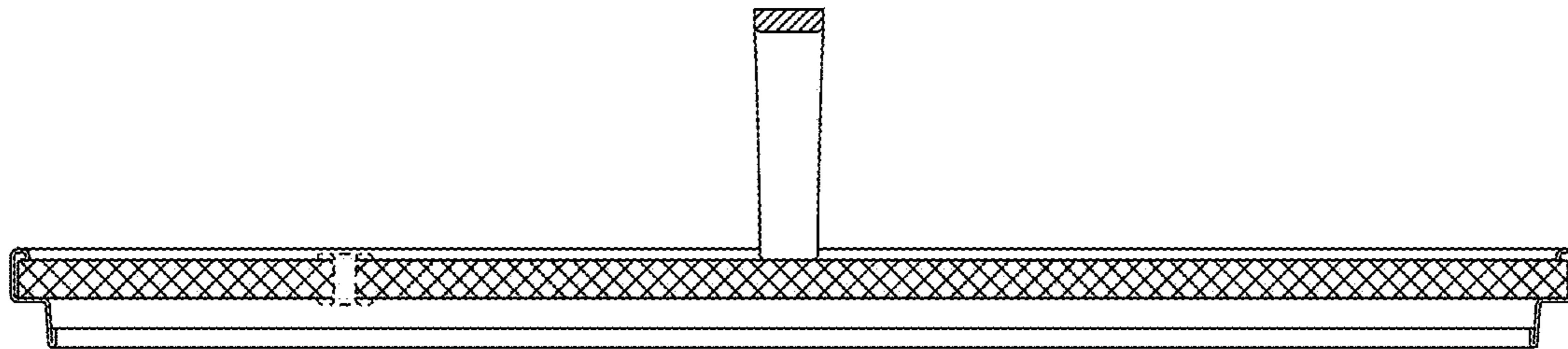


FIG. 9

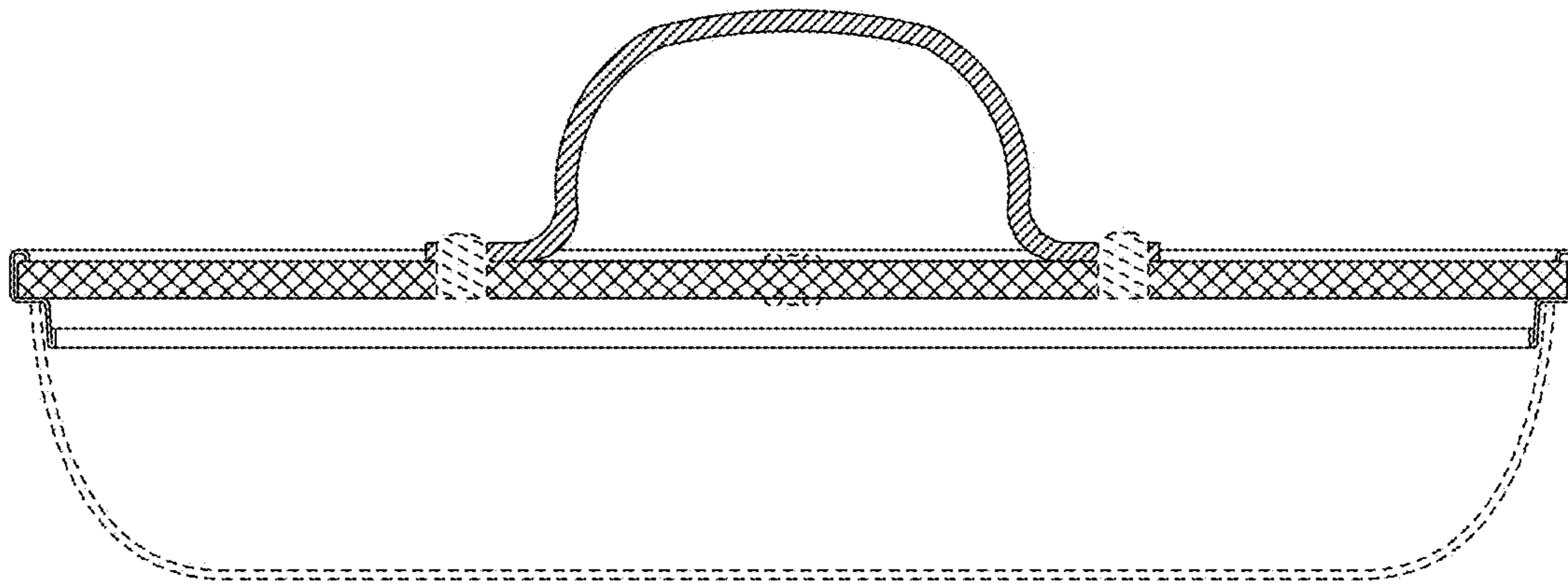


FIG. 10

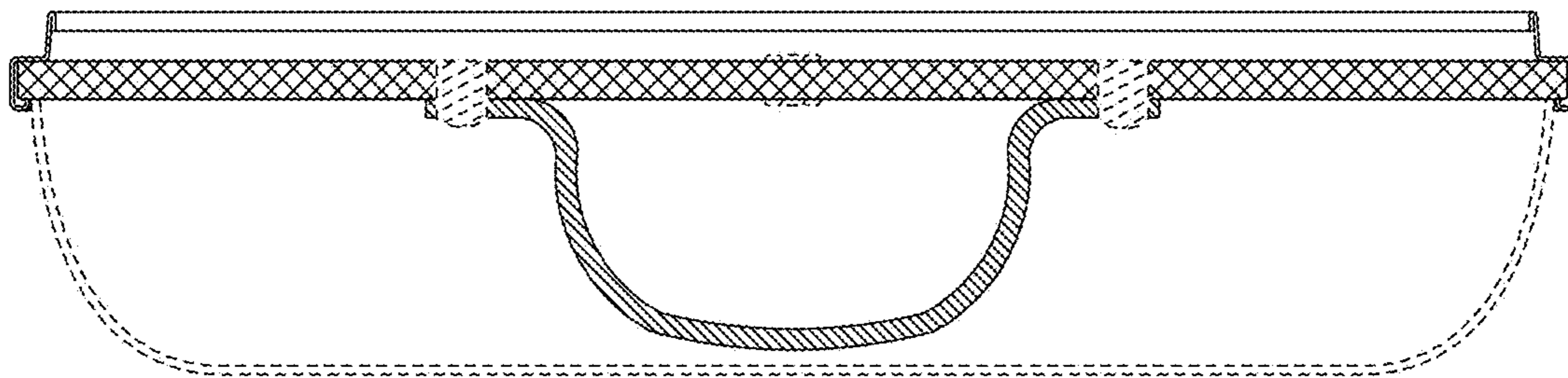
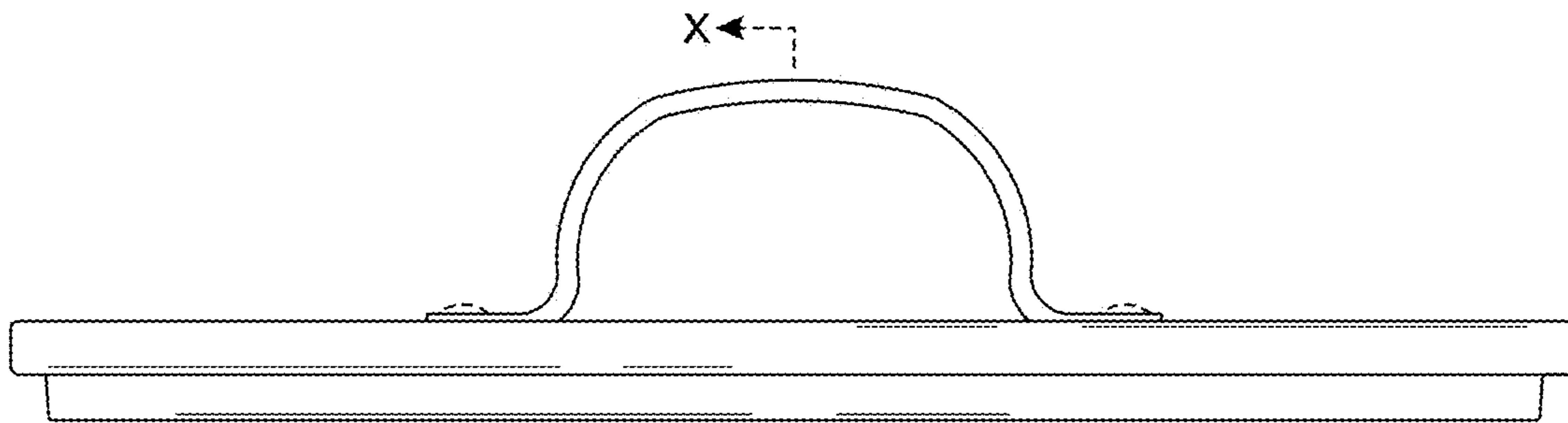


FIG. 11



X ←  
FIG. 12

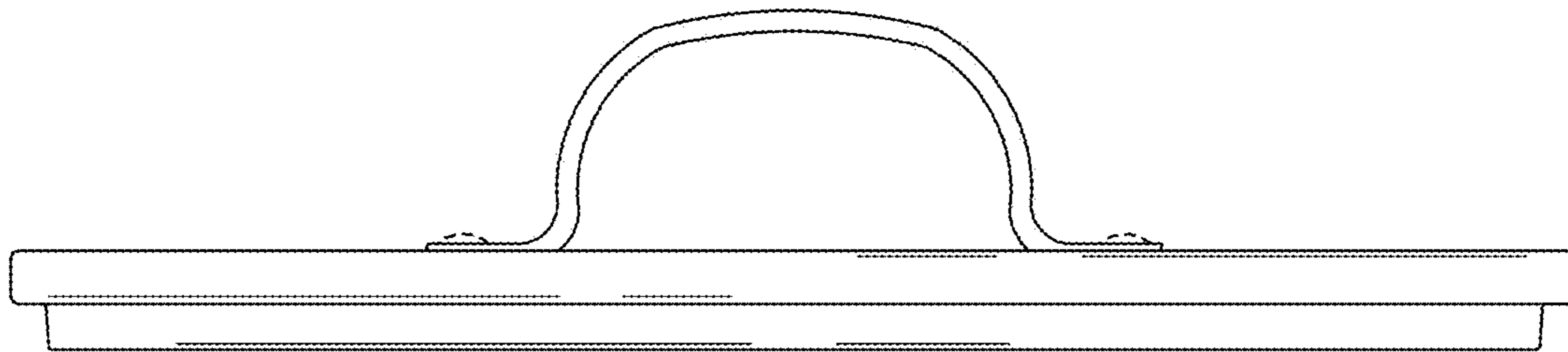
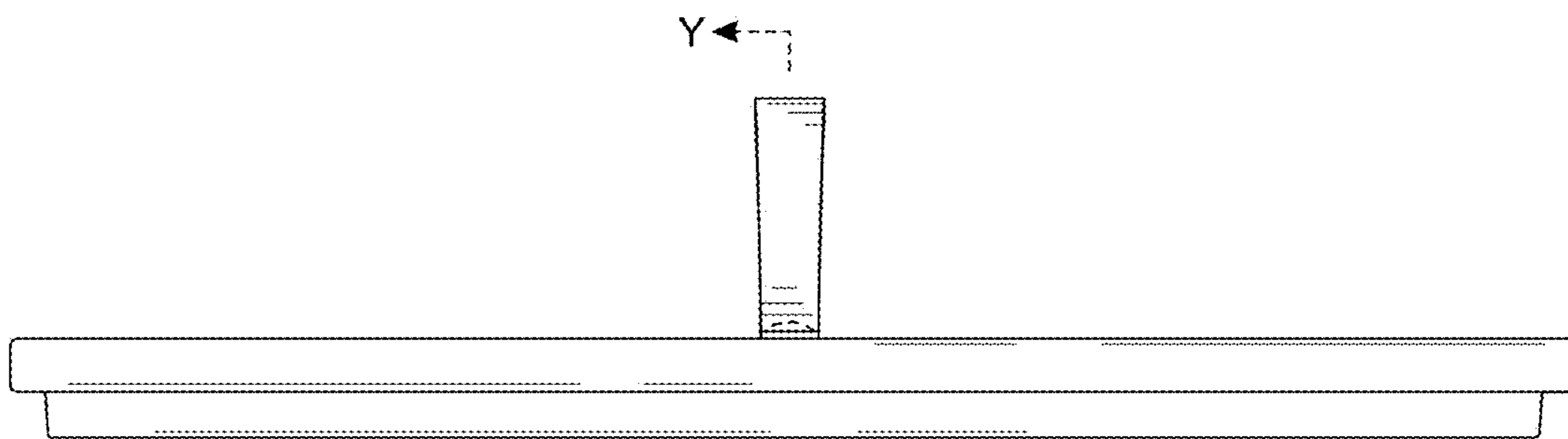


FIG. 13



Y ←  
FIG. 14



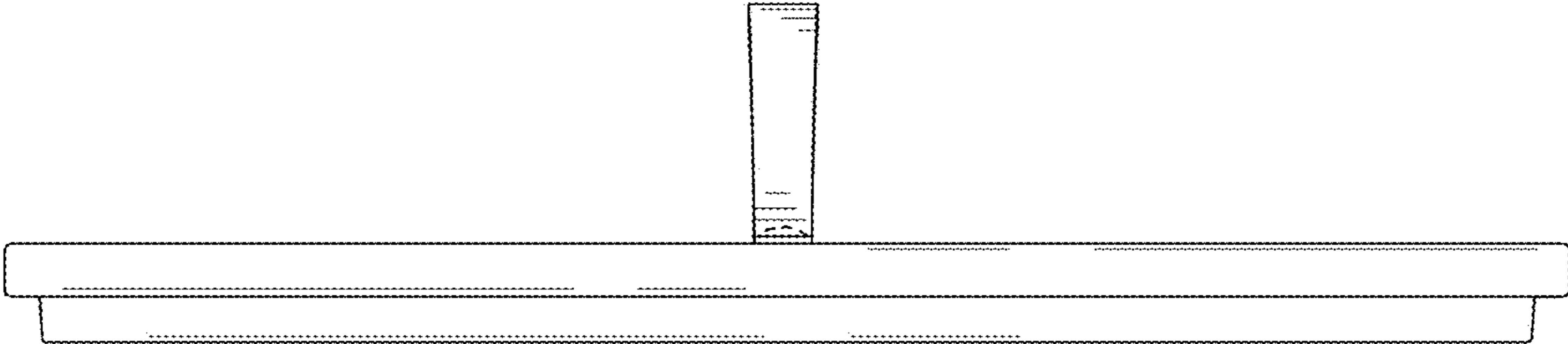


FIG. 15

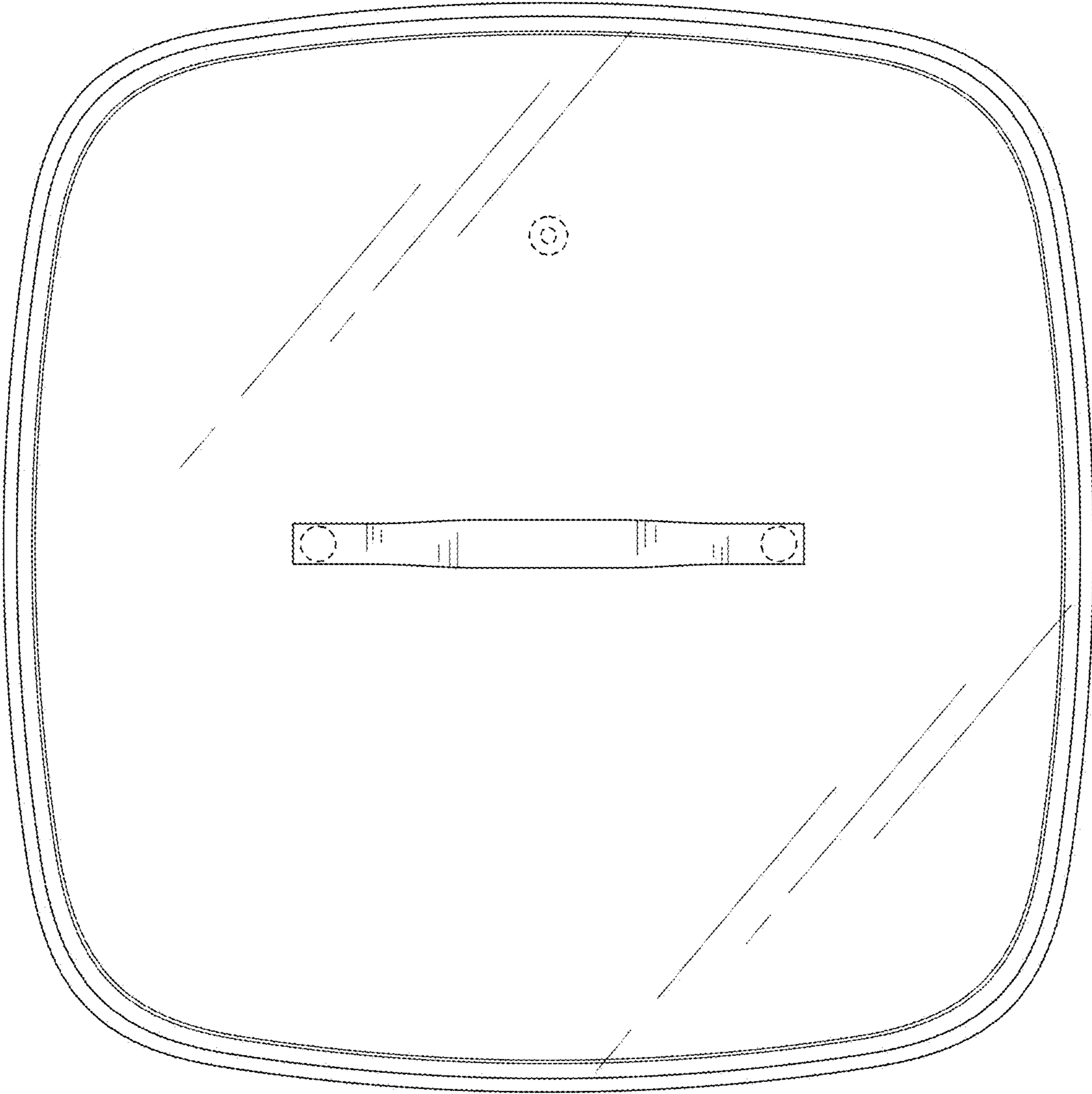


FIG. 16

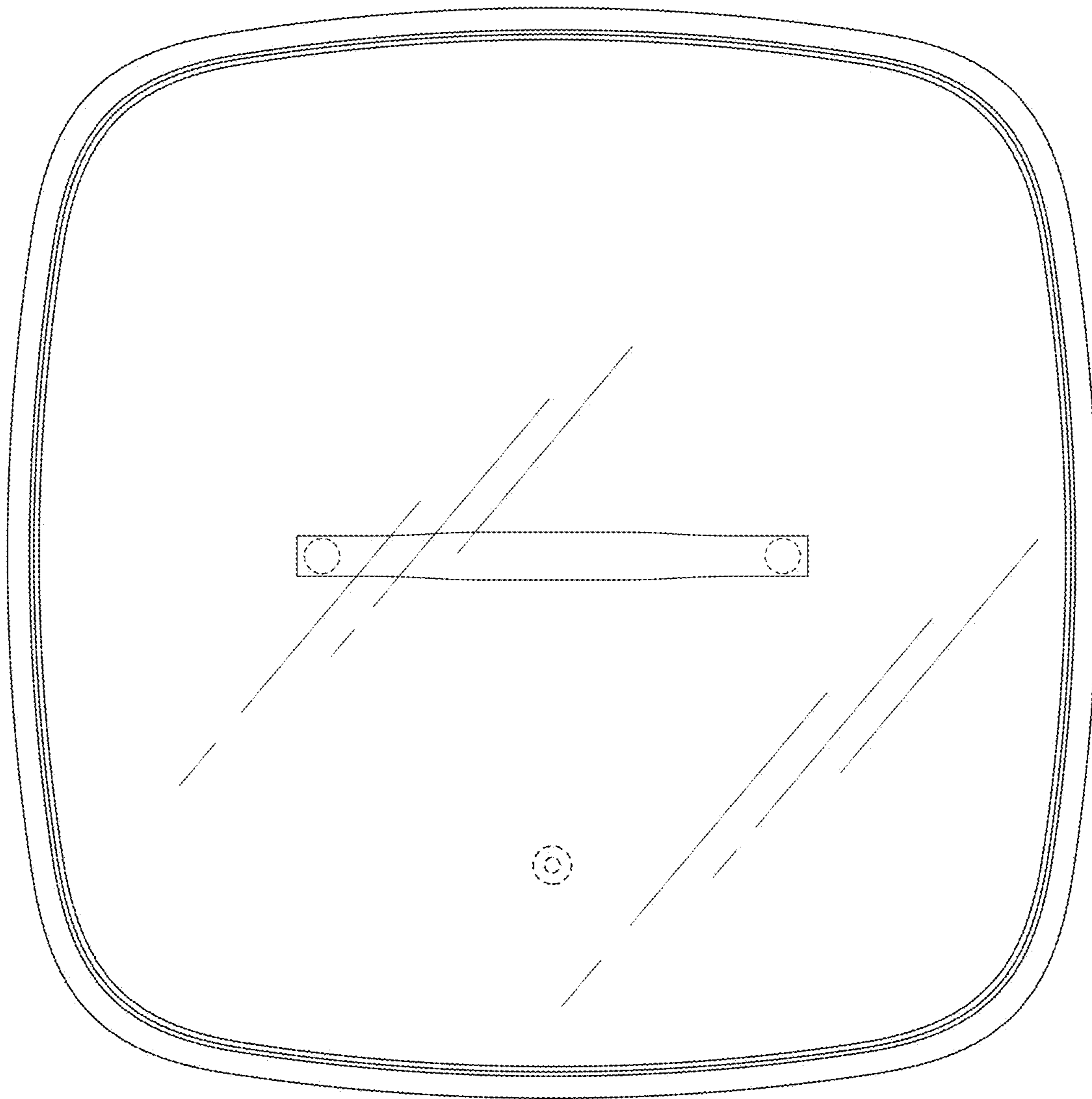


FIG. 17

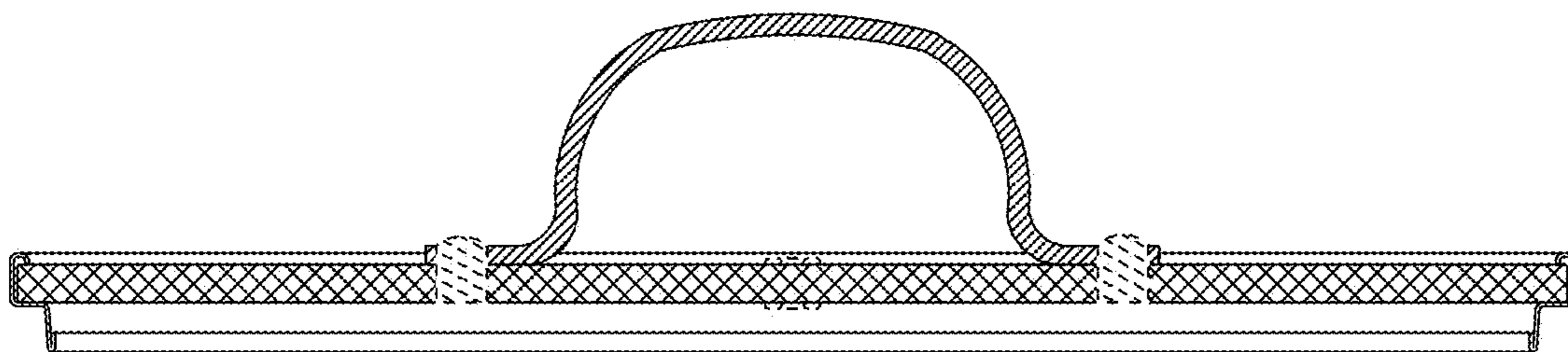


FIG. 18

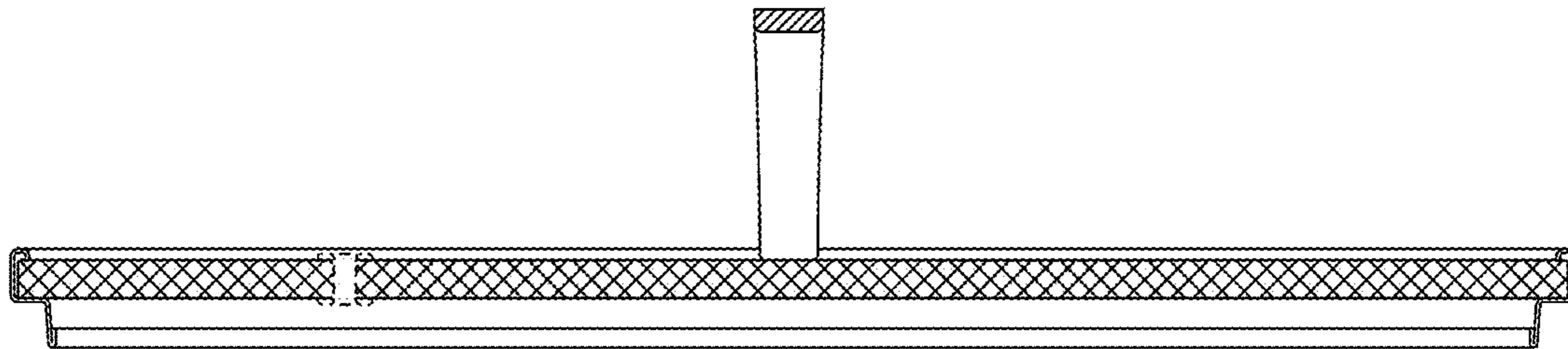


FIG. 19

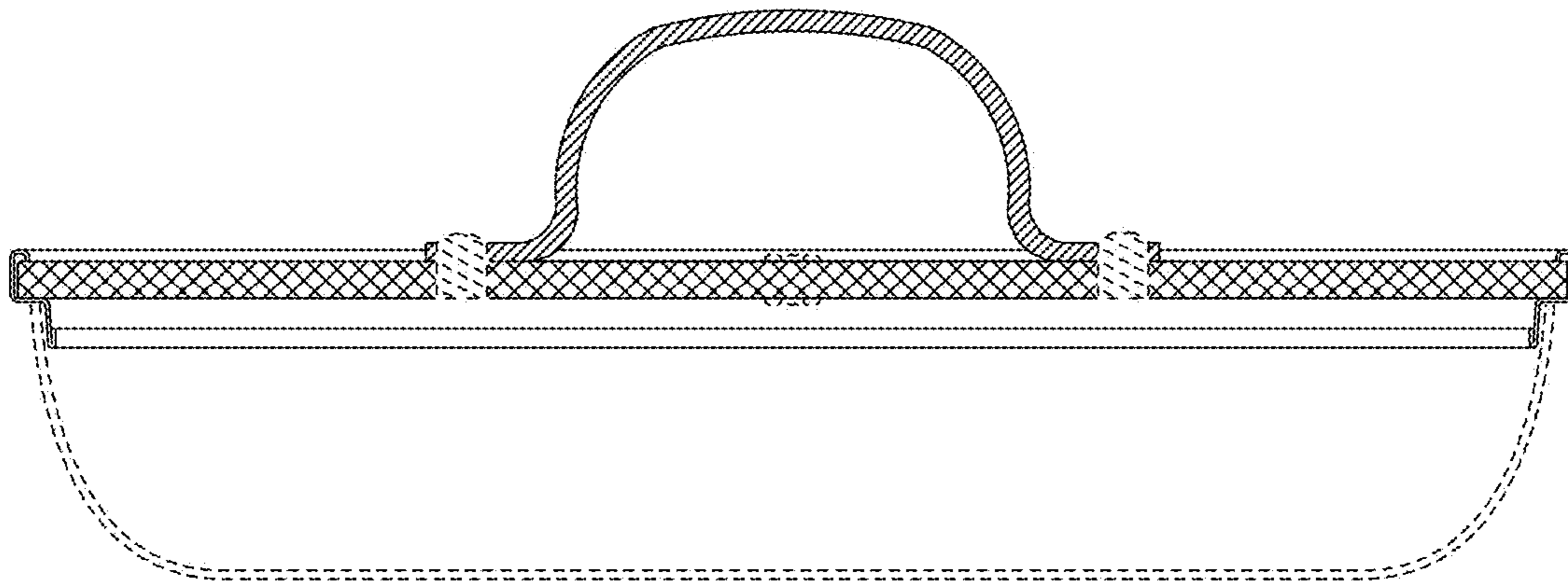


FIG. 20

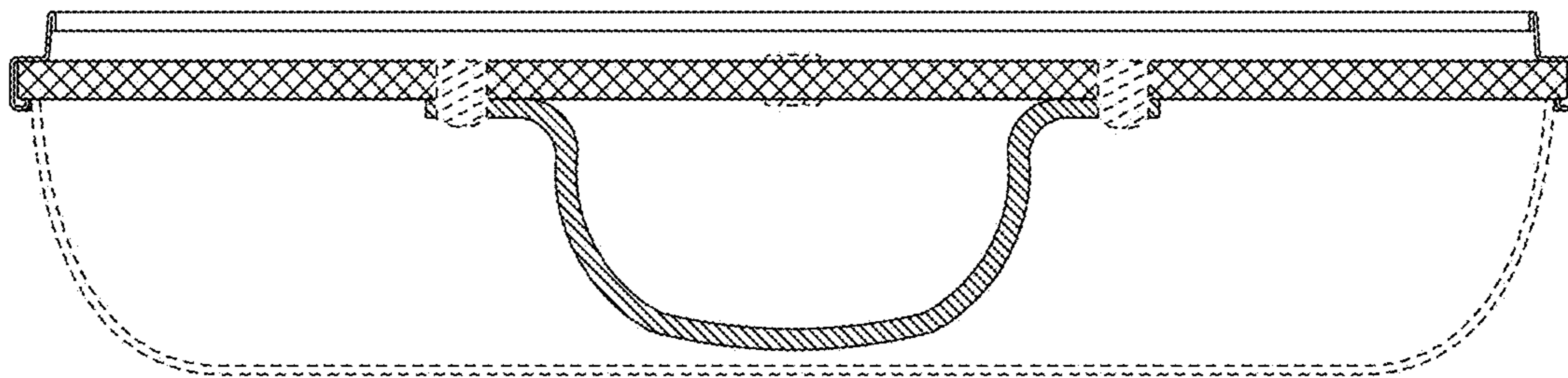


FIG. 21