



US00D951007S

(12) **United States Design Patent** (10) **Patent No.:** **US D951,007 S**
Yang (45) **Date of Patent:** **** May 10, 2022**

(54) **SMOOTHIES BLENDER**

(71) Applicant: **Yida Yang**, Jiangxi (CN)

(72) Inventor: **Yida Yang**, Jiangxi (CN)

(**) Term: **15 Years**

(21) Appl. No.: **29/773,732**

(22) Filed: **Mar. 11, 2021**

(51) **LOC (13) Cl.** **31-00**

(52) **U.S. Cl.**
USPC **D7/378; D7/376; D7/384; D7/386;**
D7/413

(58) **Field of Classification Search**

USPC D7/372, 376–386, 412–413, 602, 629,
D7/665–666, 669, 679, 693–694
CPC A21C 1/02; A21C 1/04; A23N 1/00; A23N
1/02; A47J 43/04; A47J 43/25; A47J
43/27; A47J 43/042; A47J 43/044; A47J
43/046; A47J 43/075; A47J 43/0716;
A47J 43/0722; A47J 43/0727; A47J
36/2411; B01F 3/00; B01F 3/0807; B01F
3/0853; B01F 13/047; B01F 13/0059;
B01F 13/0064; B02C 1/08; B02C 2/04;
B02C 4/42; B02C 4/142; B02C 4/143;
B02C 4/423; B02C 13/1835; B28C 5/10;
B28C 5/12; B28C 5/14; B28C 5/16;
B65D 51/245

See application file for complete search history.

(56) **References Cited**

U.S. PATENT DOCUMENTS

2,920,875 A * 1/1960 Marfuggi A47J 43/046
366/197
9,364,806 B2 * 6/2016 King A47J 36/2411
D782,866 S * 4/2017 Suess D7/378
D793,803 S * 8/2017 Patel D7/386
D816,394 S * 5/2018 Yeung D7/378

D832,641 S * 11/2018 Sapire D7/378
D850,845 S * 6/2019 Pan D7/378
D862,975 S 10/2019 Bodum
D888,494 S * 6/2020 Finnance D7/413
D889,191 S * 7/2020 Finnance D7/378
D905,495 S 12/2020 Sapire et al.
D921,418 S * 6/2021 Thun D7/378
D921,419 S * 6/2021 Yang D7/378
2016/0130052 A1 * 5/2016 Stenglein B65D 51/245
220/212
2016/0220071 A1 * 8/2016 Hewitt A47J 43/0716

OTHER PUBLICATIONS

ICucina Personal Portable Bullet Blender. Date First Available on Amazon.com Oct. 14, 2020. <https://www.amazon.com/dp/B08L6VF6PM/ref> (Year: 2020).*

* cited by examiner

Primary Examiner — Ricky Pham
(74) *Attorney, Agent, or Firm* — ScienBiziP, P.C.

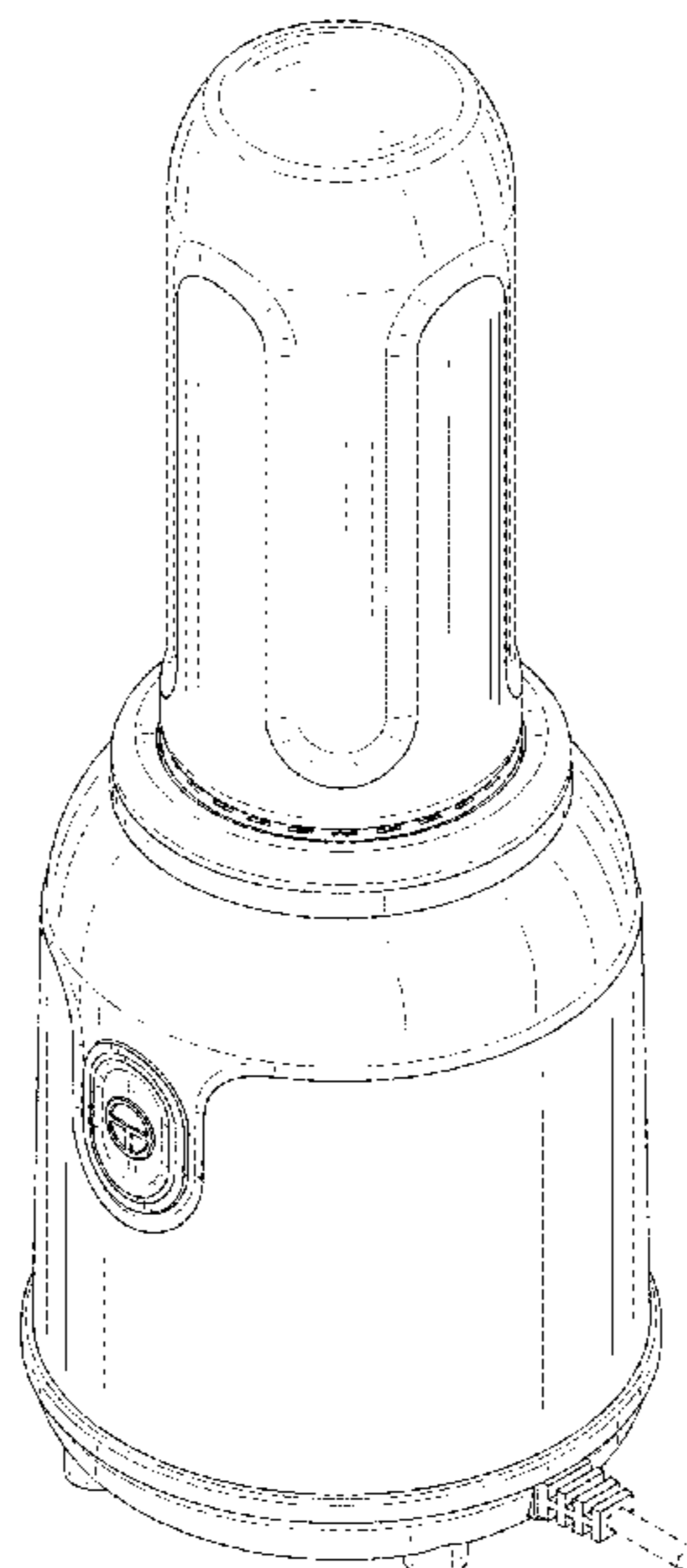
(57) **CLAIM**

The ornamental design for a smoothies blender, as shown and described.

DESCRIPTION

FIG. 1 is a front, right, and top perspective view of a smoothies blender, showing my design.
FIG. 2 is a front elevation view thereof.
FIG. 3 is a rear elevation view thereof.
FIG. 4 is a left side elevation view thereof.
FIG. 5 is a right side elevation view thereof.
FIG. 6 is a top plan view thereof; and,
FIG. 7 is a bottom plan view thereof.
The broken lines shown in the drawings are included for the purpose of illustrating portions of the smoothies blender that form no part of the claimed design.

1 Claim, 7 Drawing Sheets



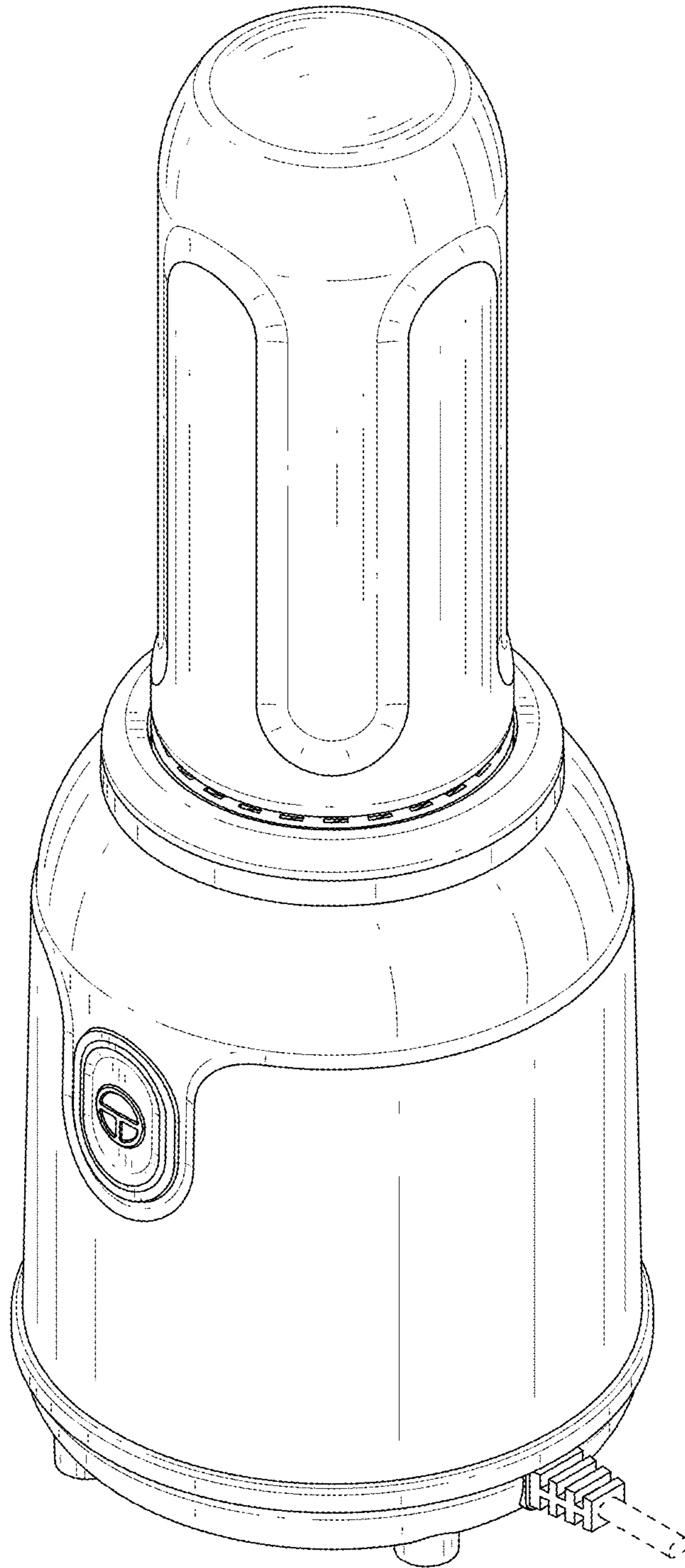


FIG.1

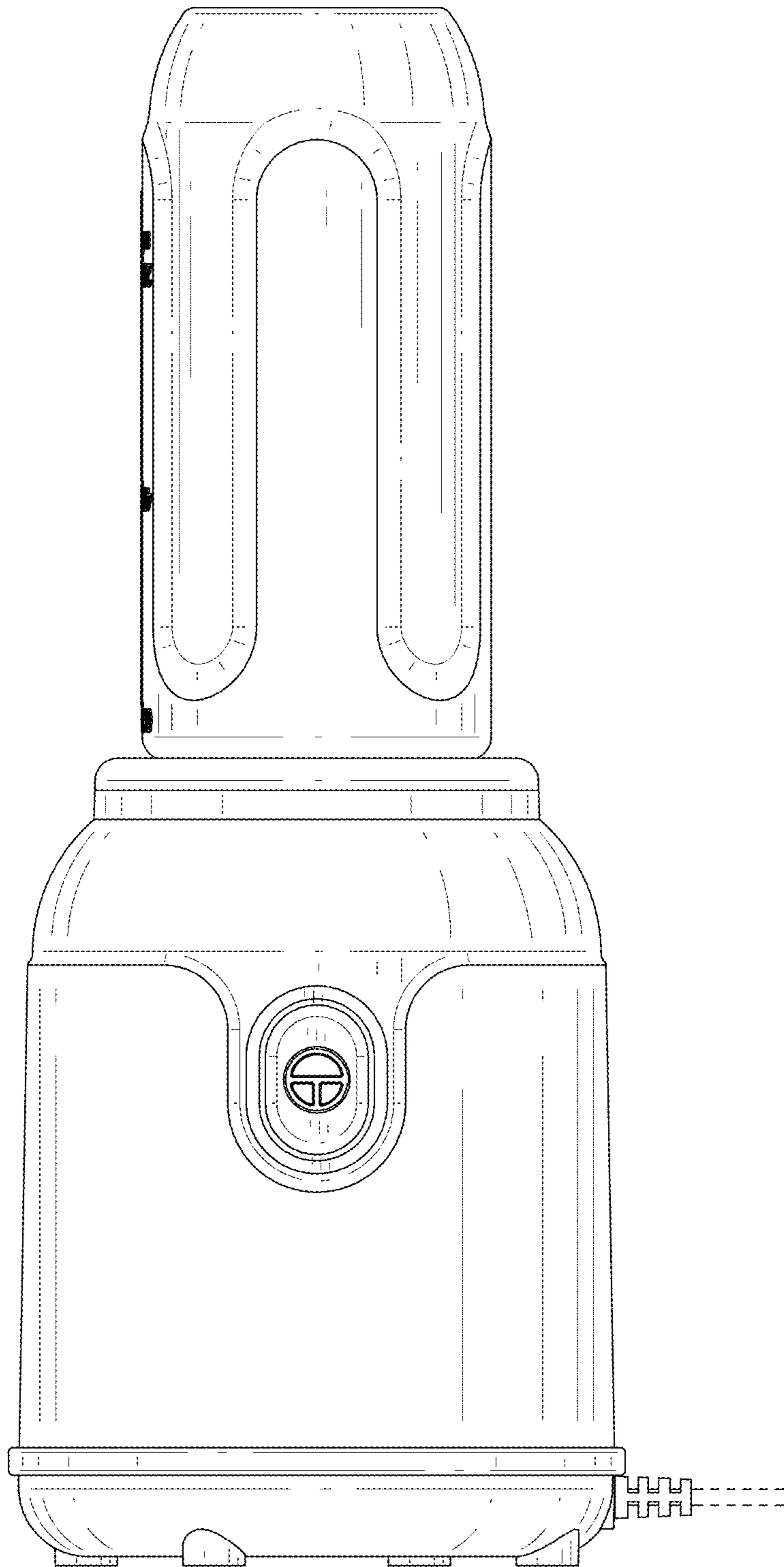


FIG. 2

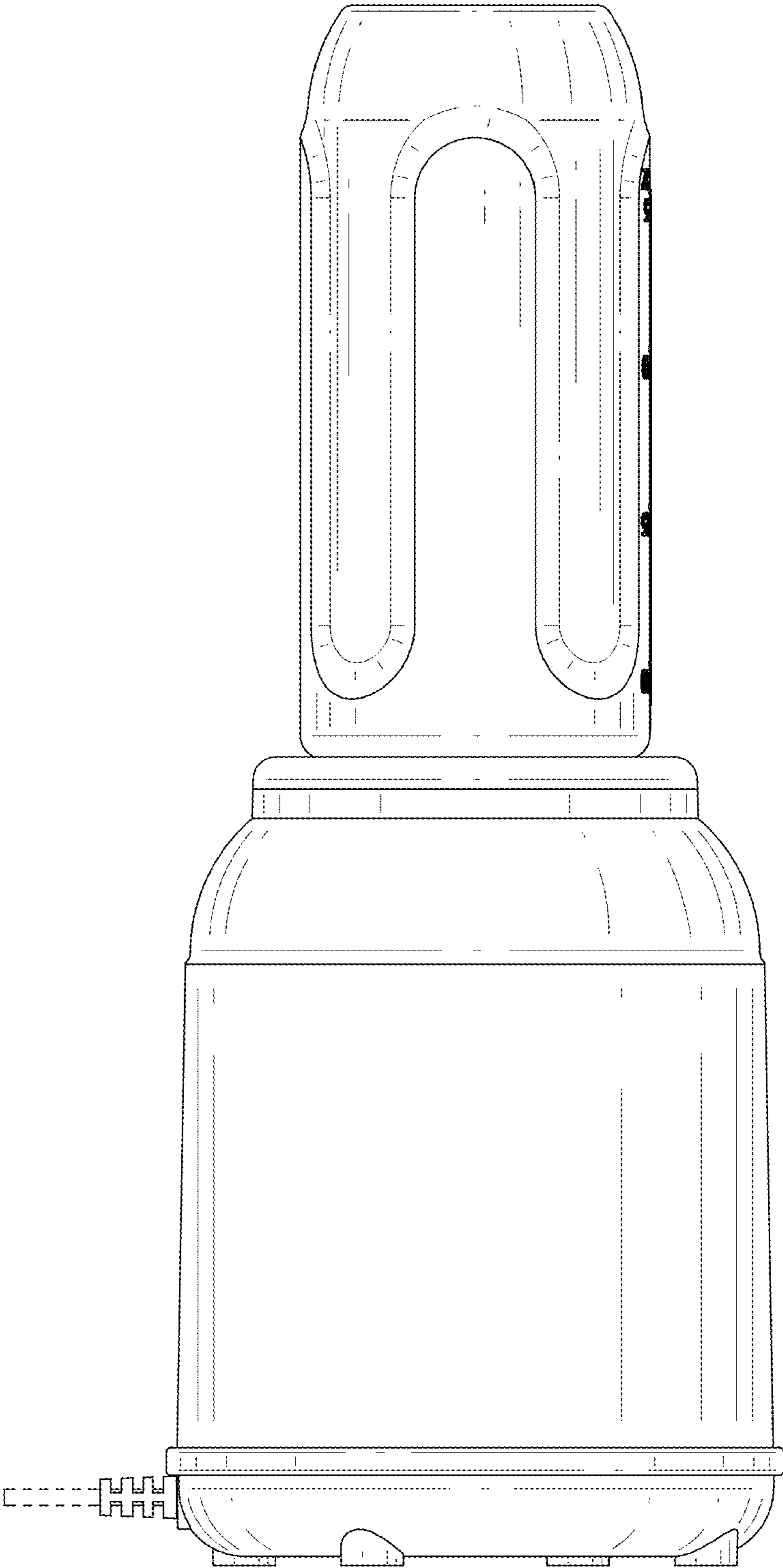


FIG.3

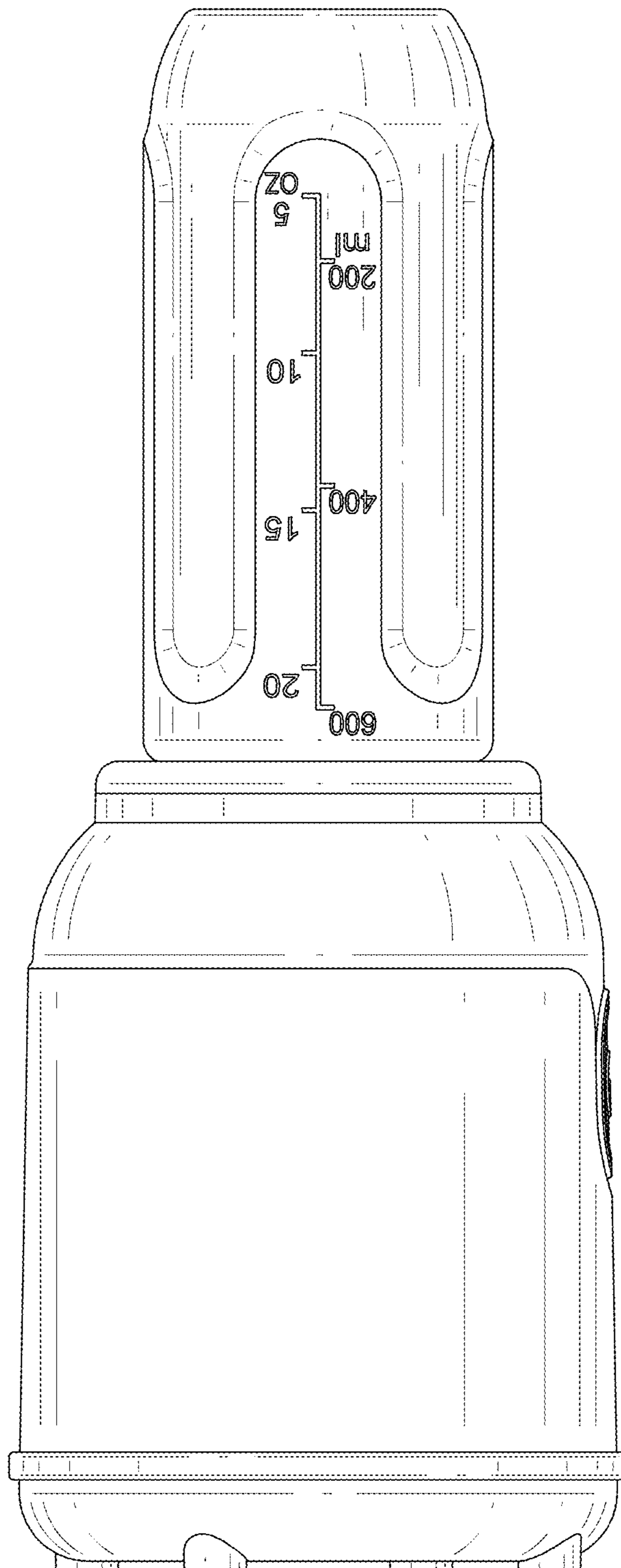


FIG.4

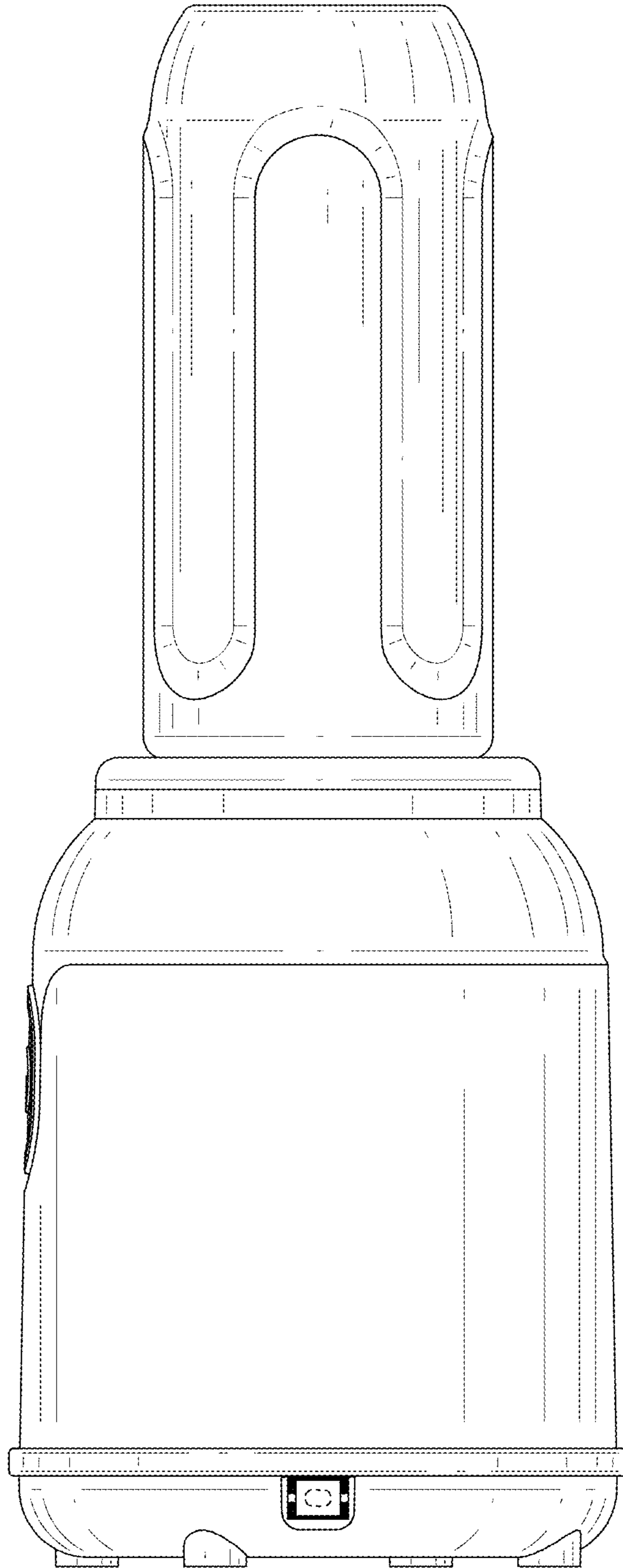


FIG.5

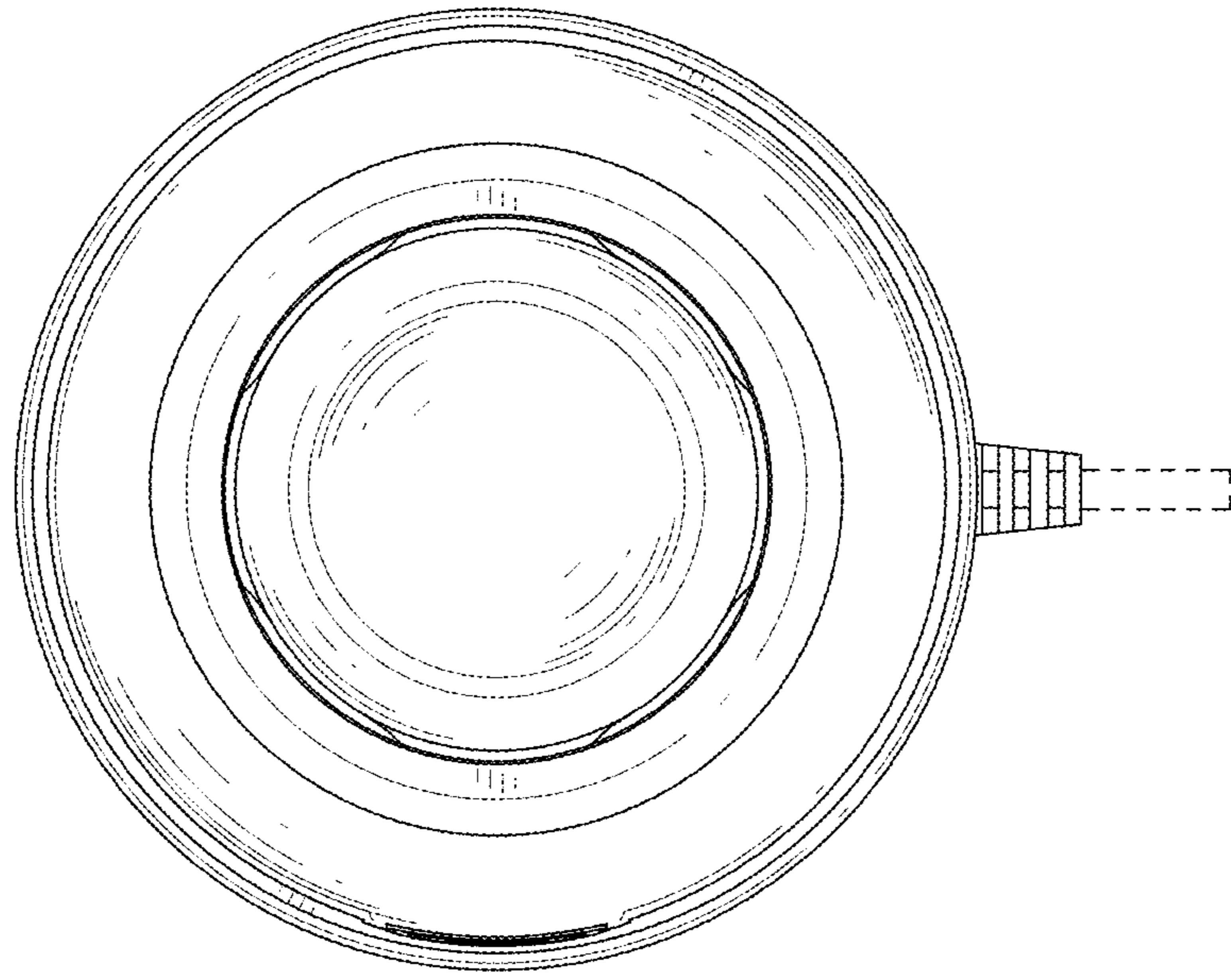


FIG.6

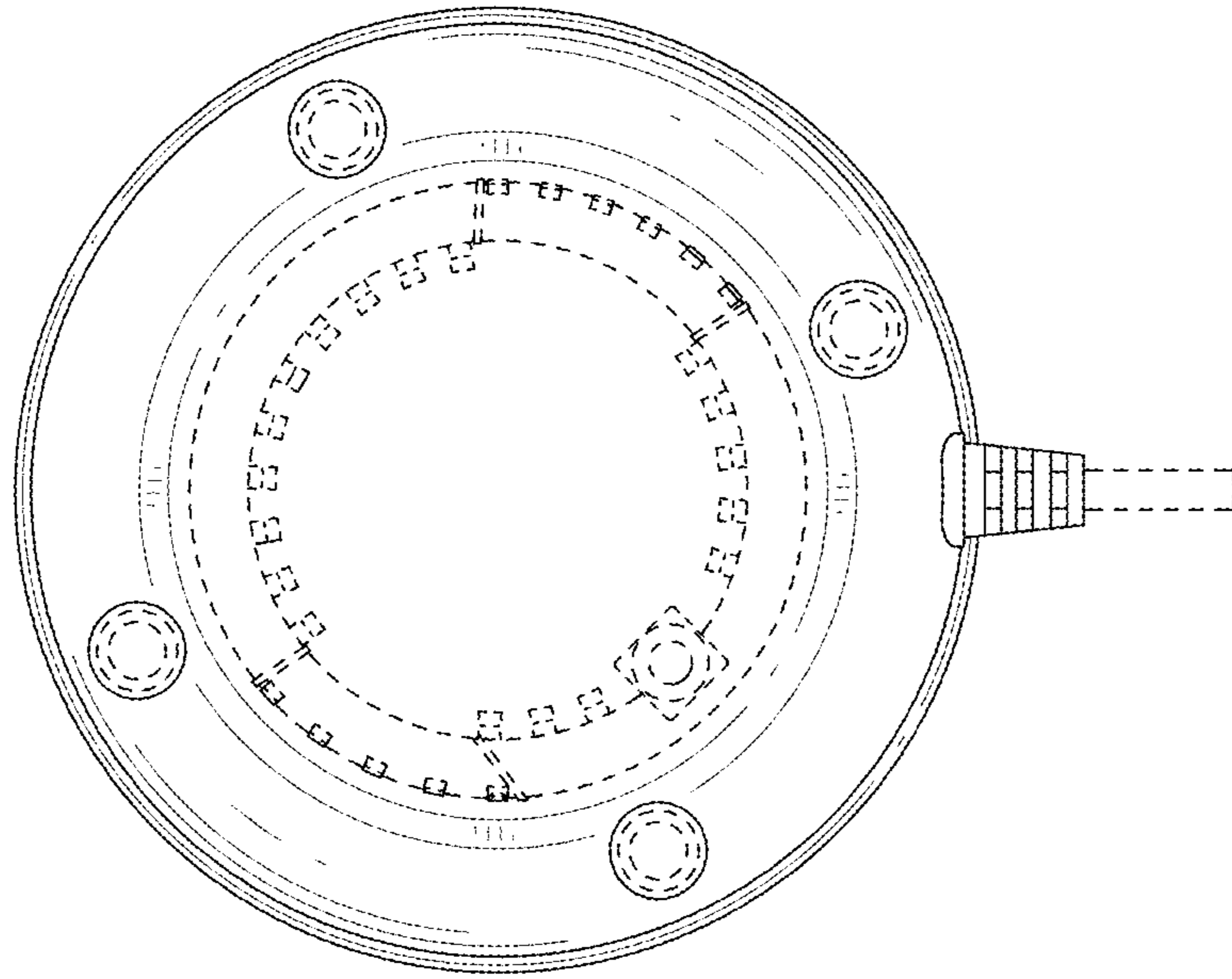


FIG.7