



US00D951006S

(12) **United States Design Patent** (10) **Patent No.:** **US D951,006 S**
Koziorowski (45) **Date of Patent:** **** May 10, 2022**

(54) **ELECTRIC COFFEE ROASTER**

(71) Applicant: **PROBAT-Werke von Gimborn Maschinenfabrik GmbH, Emmerich (DE)**

(72) Inventor: **Thomas Koziorowski, Mühlheim (DE)**

(73) Assignee: **PROBAT-WERKE VON GIMBORN MASCHINENFABRIK GMBH, Emmerich (DE)**

(**) Term: **15 Years**

(21) Appl. No.: **35/510,616**

(22) Filed: **Mar. 12, 2020**

(80) **Hague Agreement Data**

Int. Filing Date: **Mar. 12, 2020**
Int. Reg. No.: **DM/210785**
Int. Reg. Date: **Mar. 12, 2020**
Int. Reg. Pub. Date: **Oct. 23, 2020**

(30) **Foreign Application Priority Data**

Sep. 12, 2019 (DE) 40 2019 100 992.2

(51) **LOC (13) Cl.** **31-00**

(52) **U.S. Cl.**
USPC **D7/373**

(58) **Field of Classification Search**
USPC D7/323, 373, 387, 397, 399
CPC A23N 12/10; A23N 12/12
See application file for complete search history.

(56) **References Cited**

U.S. PATENT DOCUMENTS

D182,481 S * 4/1958 Schuhmann D7/373
3,075,295 A * 1/1963 Waas A23N 12/10
34/527

D295,359 S * 4/1988 Nidiffer D7/373
2008/0089986 A1 * 4/2008 Song A23N 12/125
426/466
2021/0015140 A1 * 1/2021 Huang A23N 12/125

OTHER PUBLICATIONS

Daily Coffee News, Probat shows off new tech with electric sample roaster and px 120 drum roaster, Publication date Jan. 15, 2020, [site visited Oct. 30, 2021], Available on the Internet URL <https://dailycoffeenews.com/2020/01/15/probat-shows-off-new-tech-with-electric-sample-roaster-and-px-120-drum-roaster/> (Year: 2020).*
Probat, Products, Publication date unknown, [site visited Oct. 30, 2021], Available on the Internet URL <https://www.probat.com/en/products/shoproaster/produkte/roasters/sample-roaster/> (Year: 2021).*

* cited by examiner

Primary Examiner — S. Bryan Reinholdt, Jr.
(74) *Attorney, Agent, or Firm* — Norman B. Thot

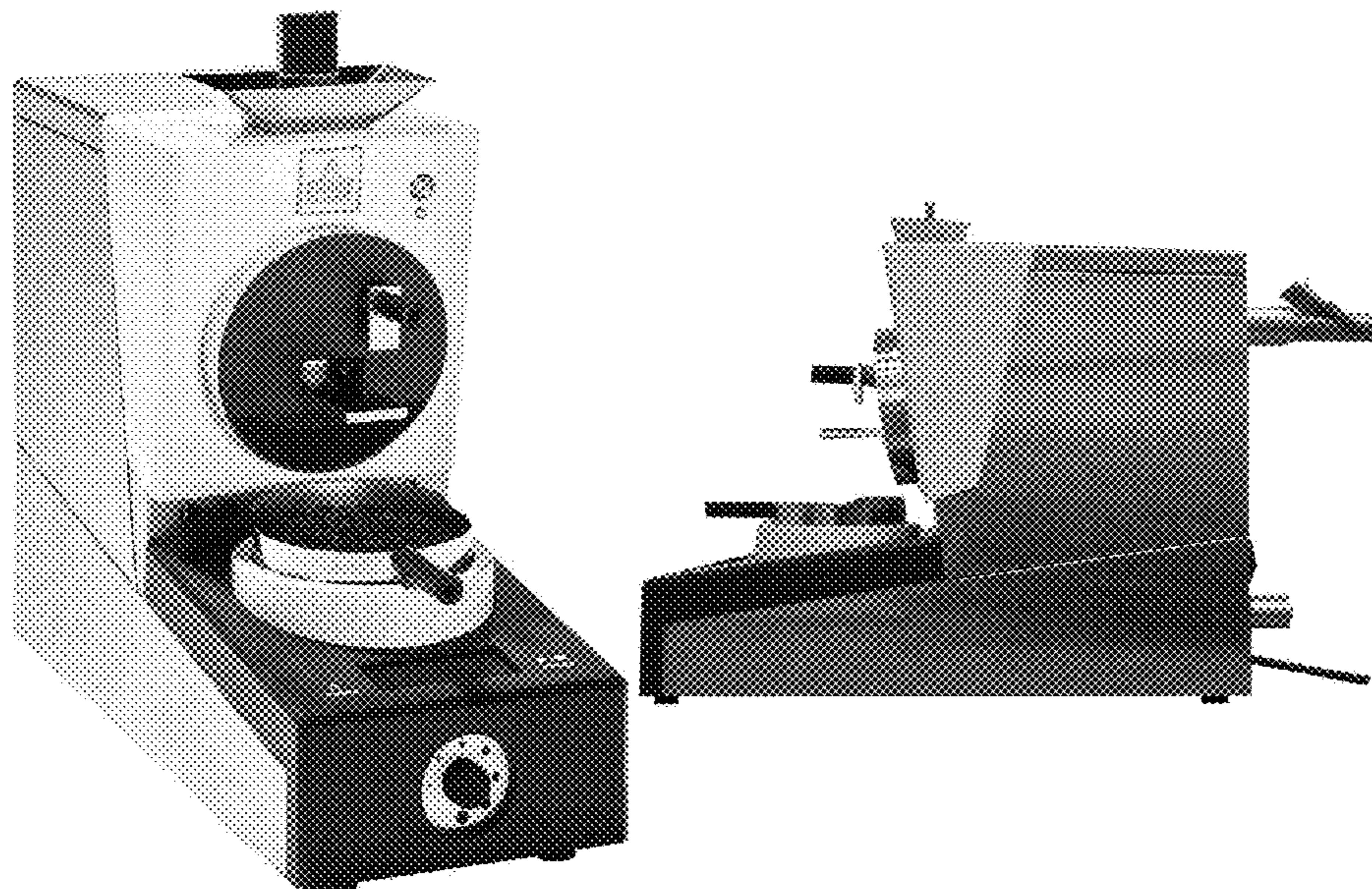
(57) **CLAIM**

The ornamental design for an electric coffee roaster, as shown and described.

DESCRIPTION

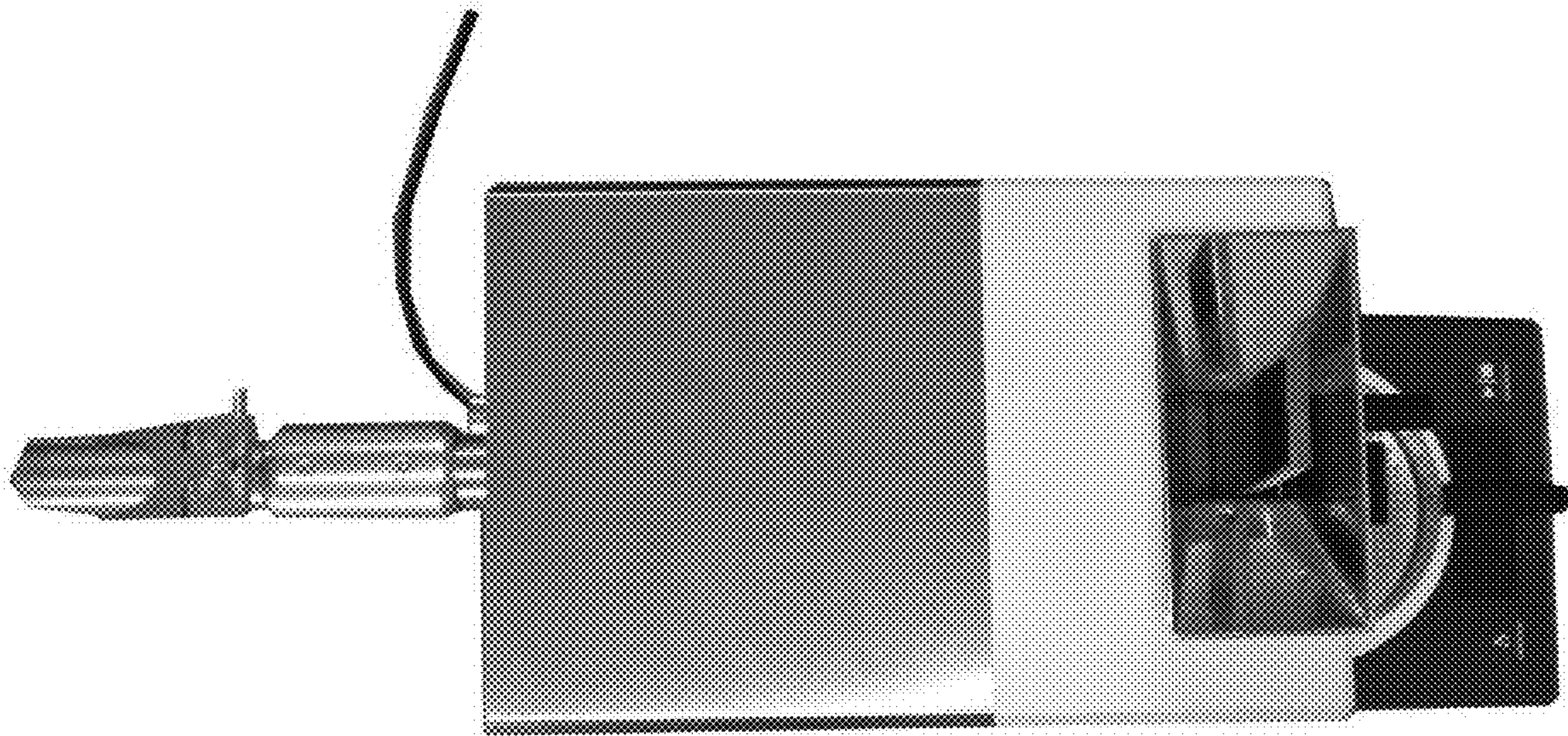
1.-3. Coffee roaster, electric
FIG. 2.1 is a front, right, top-side perspective view of the electric coffee roaster showing my new design;
FIG. 2.2 is a top view thereof;
FIG. 2.3 is a left-side view thereof;
FIG. 2.4 is a right-side view thereof;
FIG. 2.5 is a front-side view thereof;
FIG. 2.6 is a back-side view thereof; and,
FIG. 2.7 is a bottom view thereof.

1 Claim, 7 Drawing Sheets

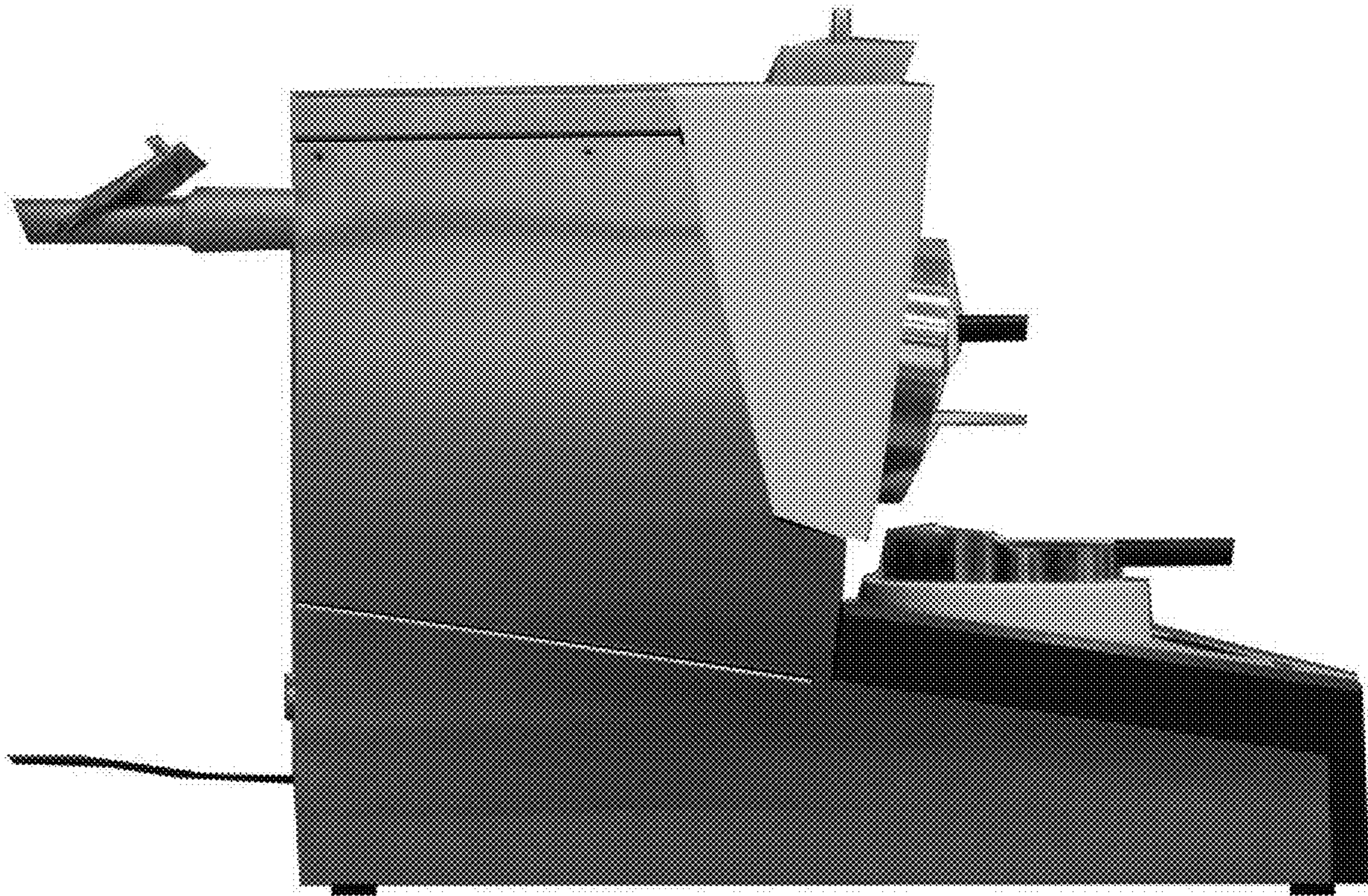




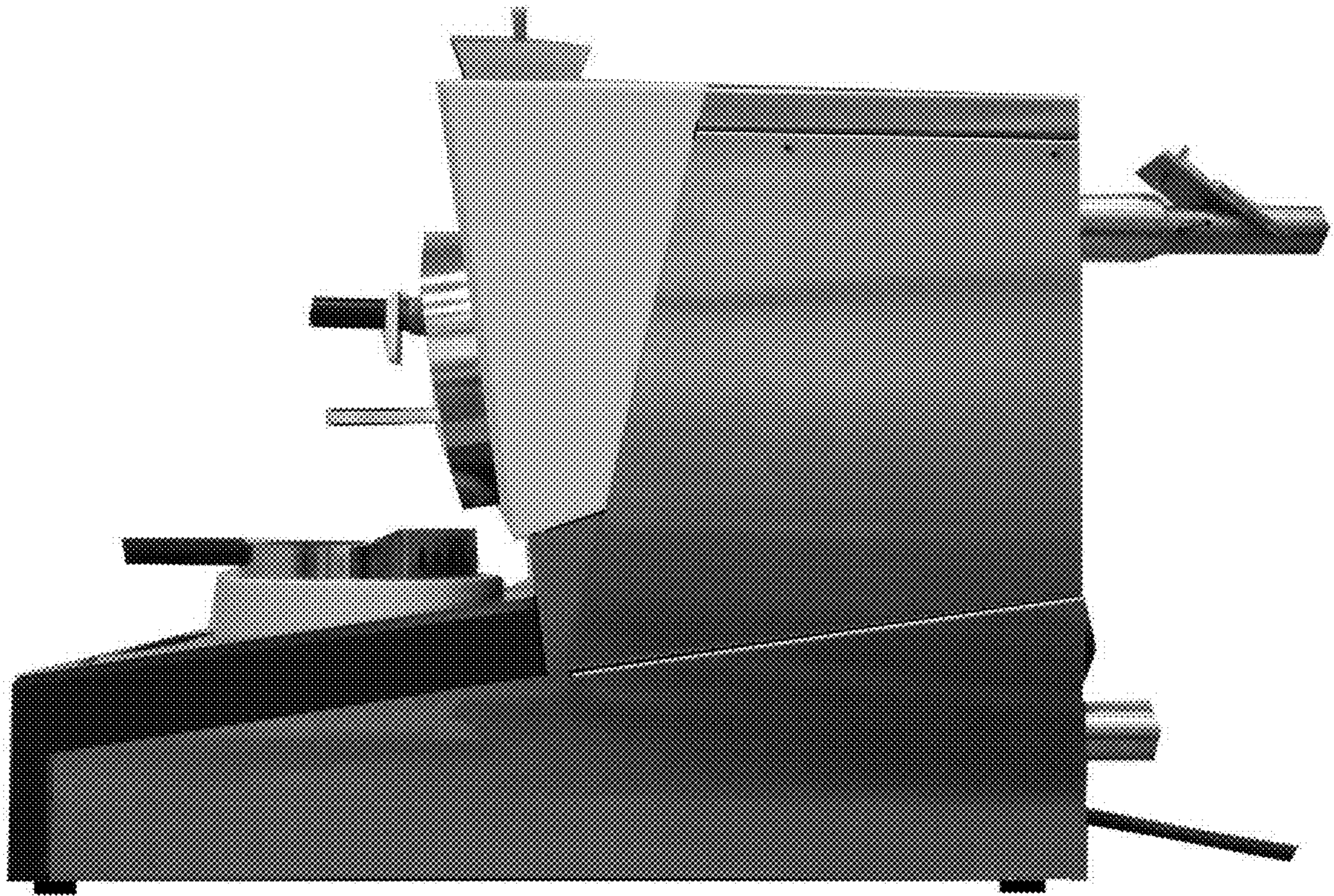
2.1



2.2

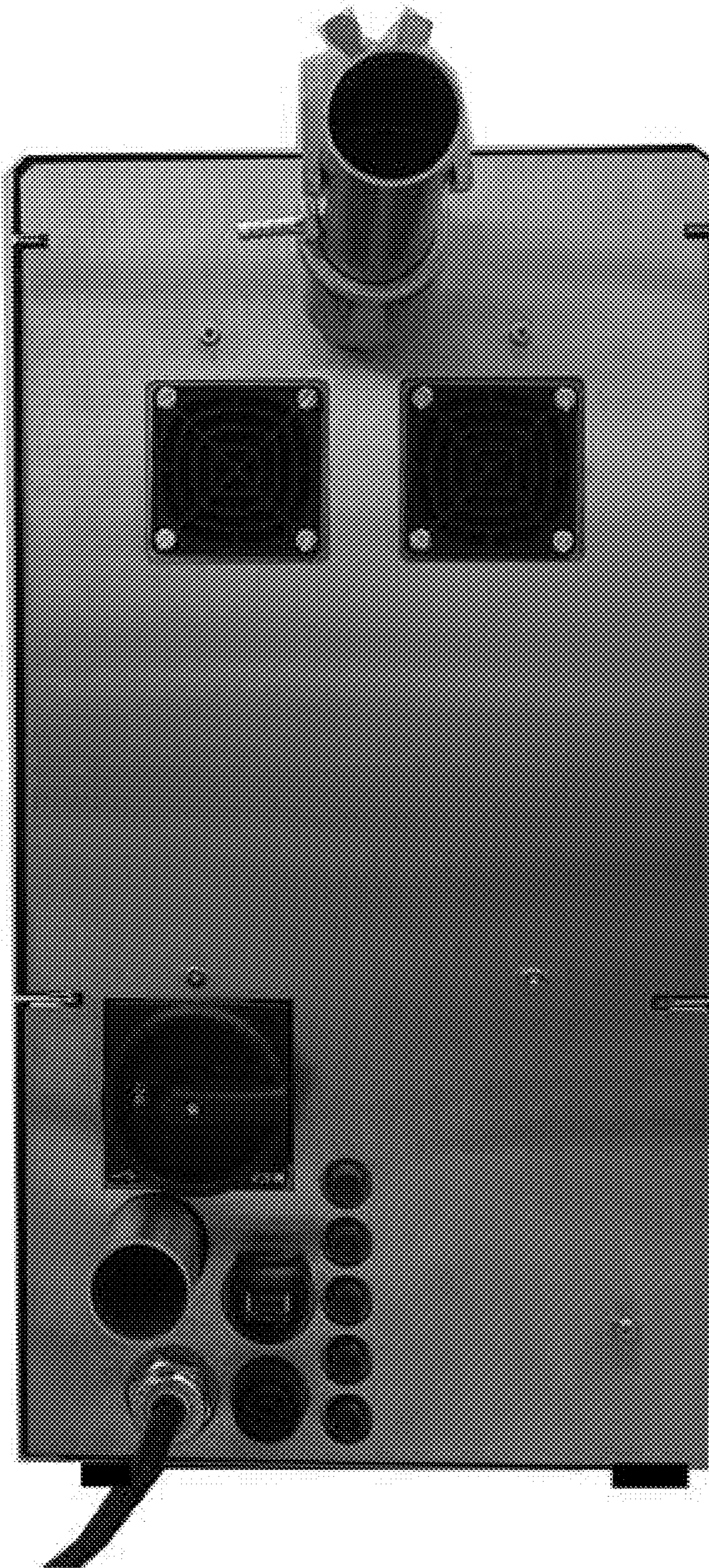


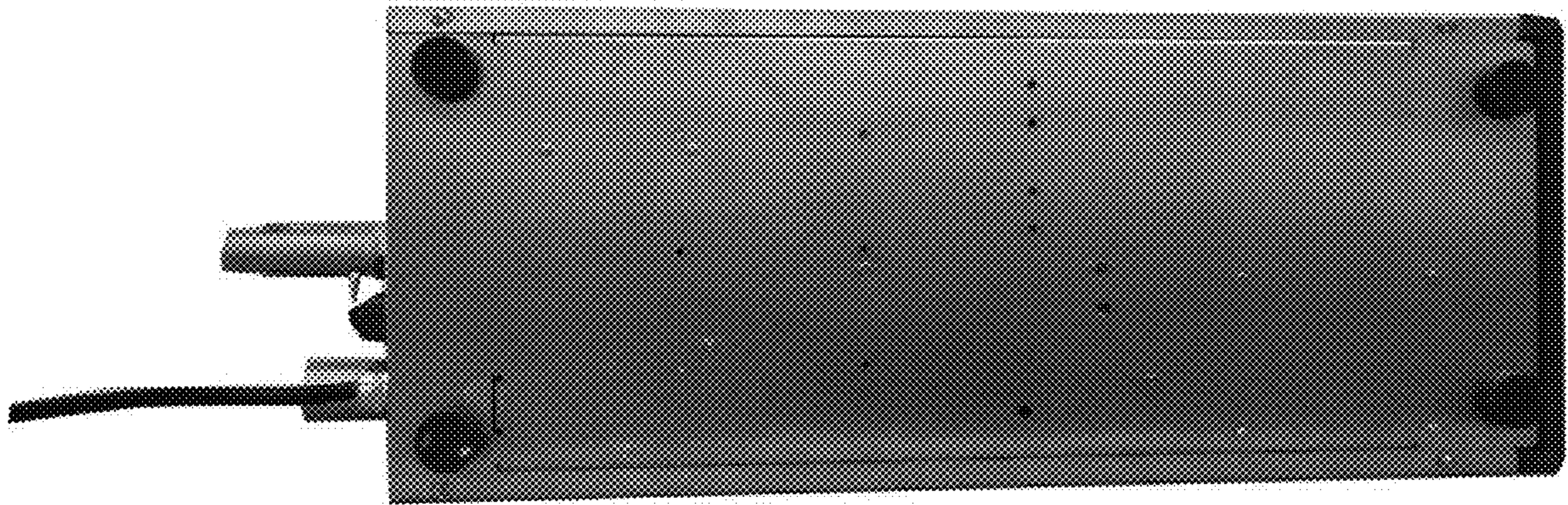
2.3



2.4







2.7