



US00D951002S

(12) **United States Design Patent** (10) **Patent No.:** **US D951,002 S**
Andersson et al. (45) **Date of Patent:** **** May 10, 2022**

(54) **WATER TRAY**
(71) Applicant: **Electrolux Appliances Aktiebolag,**
Stockholm (SE)
(72) Inventors: **Anton Andersson,** Stockholm (SE);
Shreya Prem, Stockholm (SE)
(73) Assignee: **Electrolux Appliances Aktiebolag,**
Stockholm (SE)

D815,924 S * 4/2018 Croft D7/629
D830,099 S * 10/2018 Mirchandani D7/354
D850,218 S * 6/2019 Lum D7/629
D876,177 S * 2/2020 Pentelovitch D7/629
2011/0185915 A1 * 8/2011 Eades A47J 27/21058
99/331
2014/0260998 A1 * 9/2014 Pearson A47J 27/002
99/288
2015/0351579 A1 * 12/2015 Johncock A47J 27/10
426/231
2016/0167863 A1 * 6/2016 Han B65D 53/02
220/256.1

(**) Term: **15 Years**

(Continued)

(21) Appl. No.: **29/726,024**

OTHER PUBLICATIONS

(22) Filed: **Feb. 28, 2020**

“Anova Culinary ANTC01 Sous Vide Cooker Cooking container”,
Sep. 29, 2019, Amazon, site visited Jun. 21, 2021: <https://www.amazon.com/dp/B07XJRF5TW/> (Year: 2019).*

(51) **LOC (13) Cl.** **07-02**

(52) **U.S. Cl.** **D7/354**
USPC

(Continued)

(58) **Field of Classification Search**
USPC D23/386; D7/354, 629; D3/302
CPC A47J 27/10; A47J 27/18; A47J 36/2405;
A47J 36/24; B65D 21/0233

Primary Examiner — Jack Reickel
Assistant Examiner — Bobby W Jones, II
(74) *Attorney, Agent, or Firm* — Banner & Witcoff, Ltd.

See application file for complete search history.

(57) **CLAIM**

(56) **References Cited**

The ornamental design for a water tray, as shown and described.

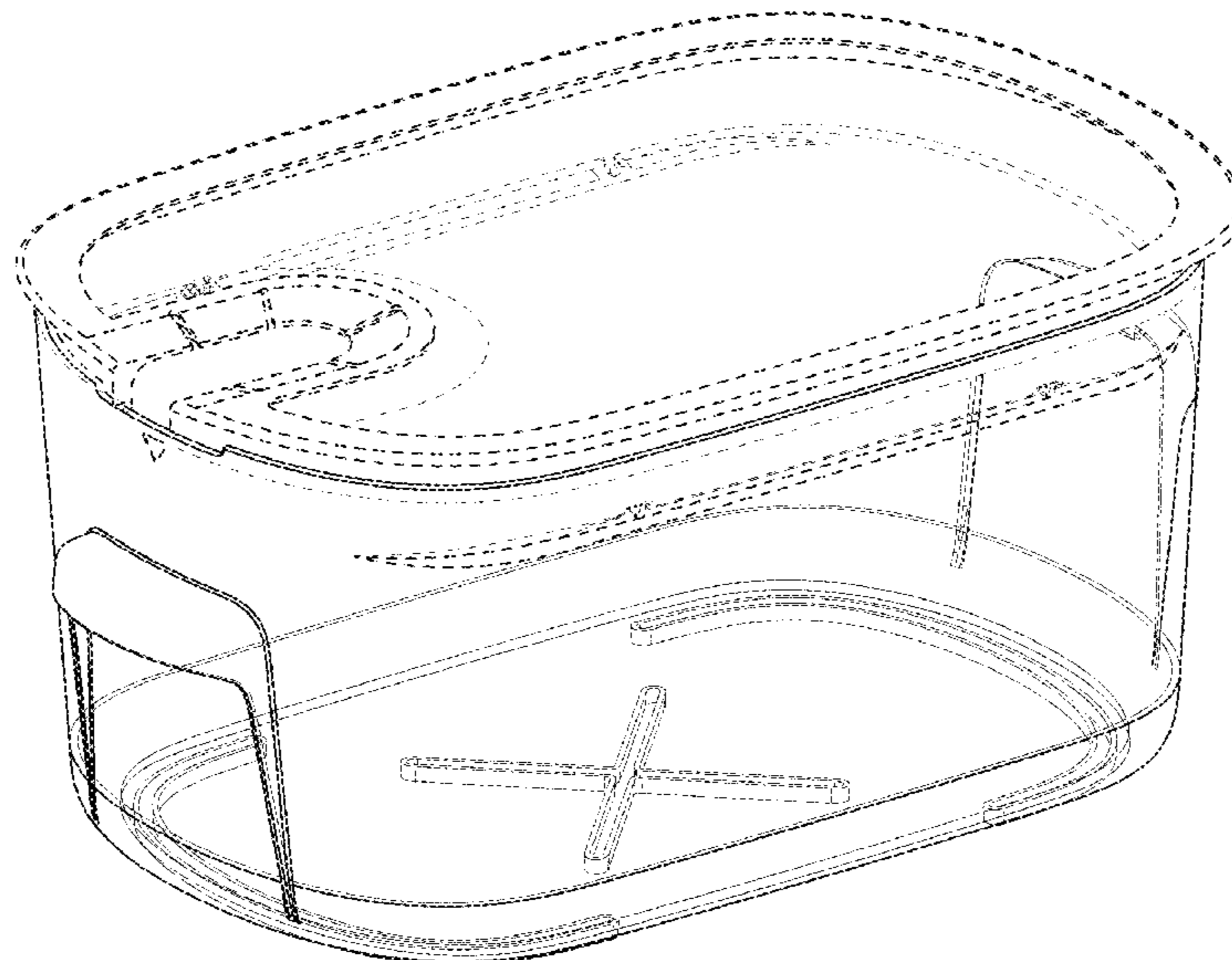
U.S. PATENT DOCUMENTS

DESCRIPTION

D238,148 S * 12/1975 Dilot D7/629
4,412,630 A * 11/1983 Daenen B65D 43/0218
220/792
D302,774 S * 8/1989 Murphy D7/629
D366,397 S * 1/1996 Zimmerman D7/538
D383,671 S * 9/1997 Phillips D7/629
D420,859 S * 2/2000 Loew D7/602
D427,769 S * 7/2000 Zimmerman D3/273
D439,406 S * 3/2001 Zimmerman D3/273
D443,798 S * 6/2001 Tucker D7/629
D526,857 S * 8/2006 Littmann D7/629
D594,325 S * 6/2009 Colacitti D7/354
D696,559 S * 12/2013 Song D7/629
D700,483 S * 3/2014 Yessin D7/629
D760,037 S * 6/2016 Weernink D7/629

FIG. 1 is a front perspective view of a water tray showing our new design;
FIG. 2 is a front view thereof;
FIG. 3 is a rear view thereof;
FIG. 4 is a right side view thereof;
FIG. 5 is a left side view thereof;
FIG. 6 is a top view thereof; and,
FIG. 7 is a bottom view thereof.
The broken line showing the lid and elongated side ridges form no part of the claimed design.

1 Claim, 7 Drawing Sheets



(56)

References Cited

U.S. PATENT DOCUMENTS

2016/0272388 A1* 9/2016 Slack B65D 43/0212
2017/0139385 A1* 5/2017 Young G05B 19/048
2018/0184488 A1* 6/2018 Lee B65B 51/148
2021/0078764 A1* 3/2021 Rana A23L 5/13

OTHER PUBLICATIONS

“VPCOK Sous Vide Container”, Oct. 28, 2019, Amazon, site visited
Jun. 21, 2021: <https://www.amazon.com/dp/B07ZPNY6VC/> (Year:
2019).*

“EVERIE Sous Vide Container EVC-12”, Feb. 21, 2017, Amazon,
site visited Jun. 21, 2021: [https://www.amazon.com/dp/
B07GQLD5BH/](https://www.amazon.com/dp/B07GQLD5BH/) (Year: 2017).*

* cited by examiner

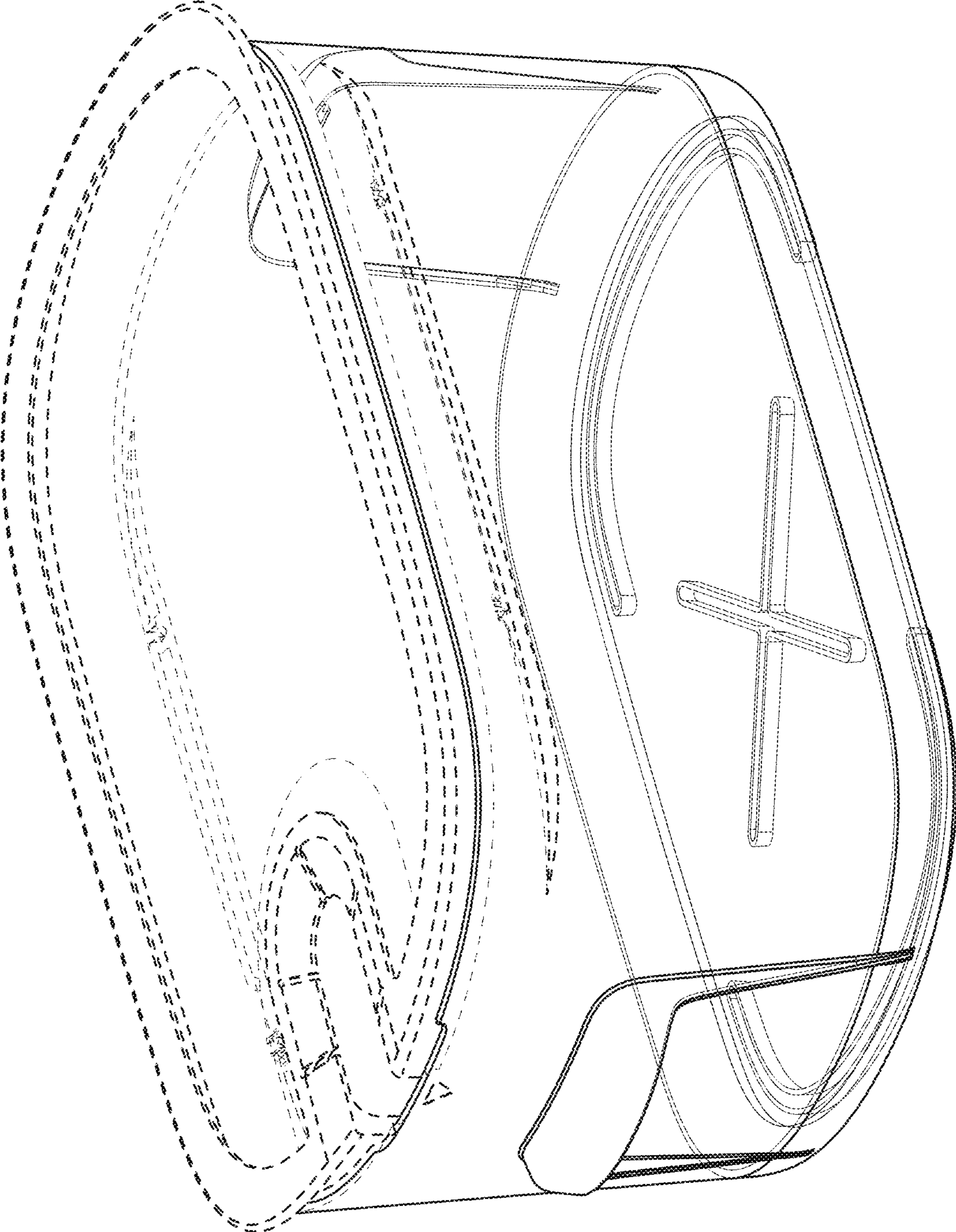


FIG. 1

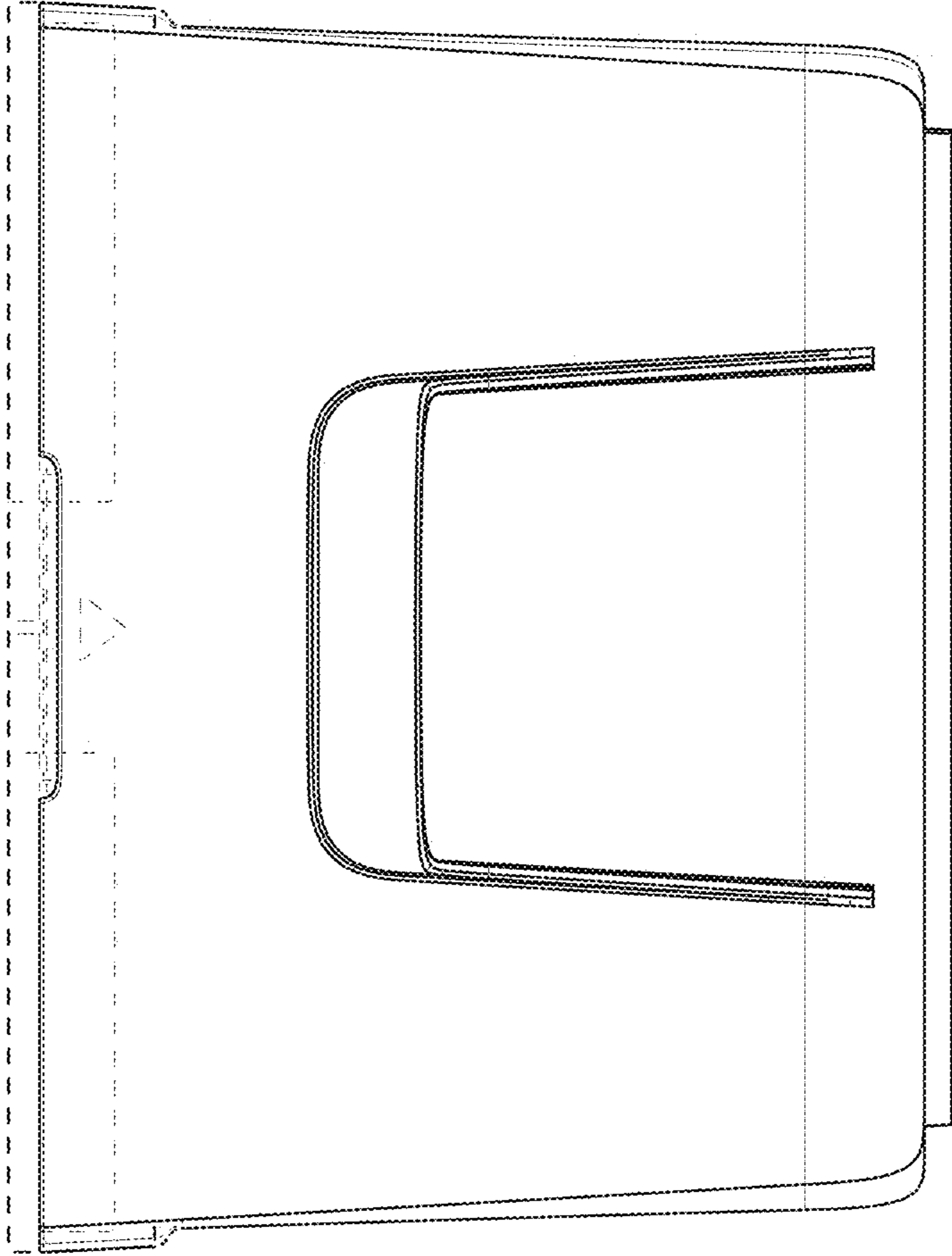


FIG. 2

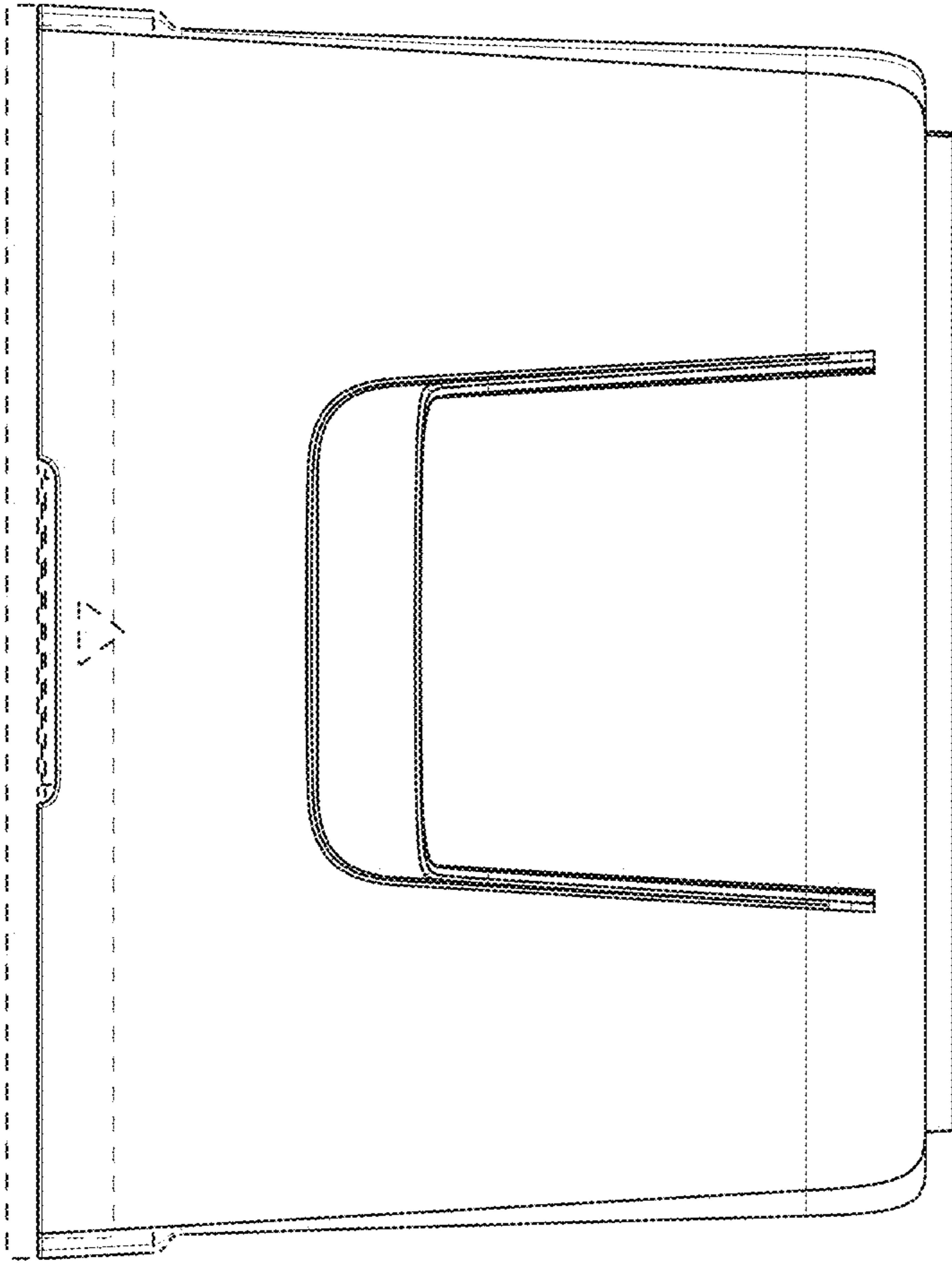


FIG. 3

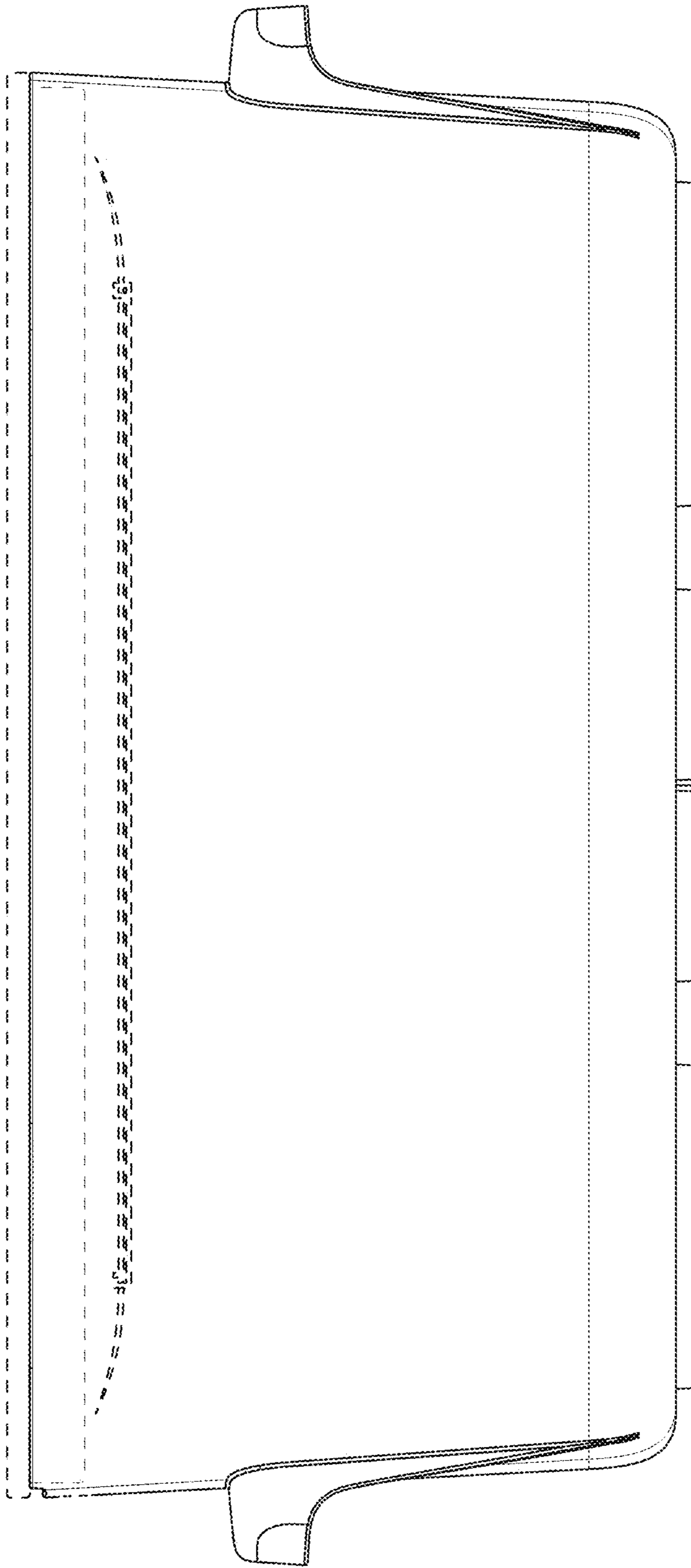


FIG. 4

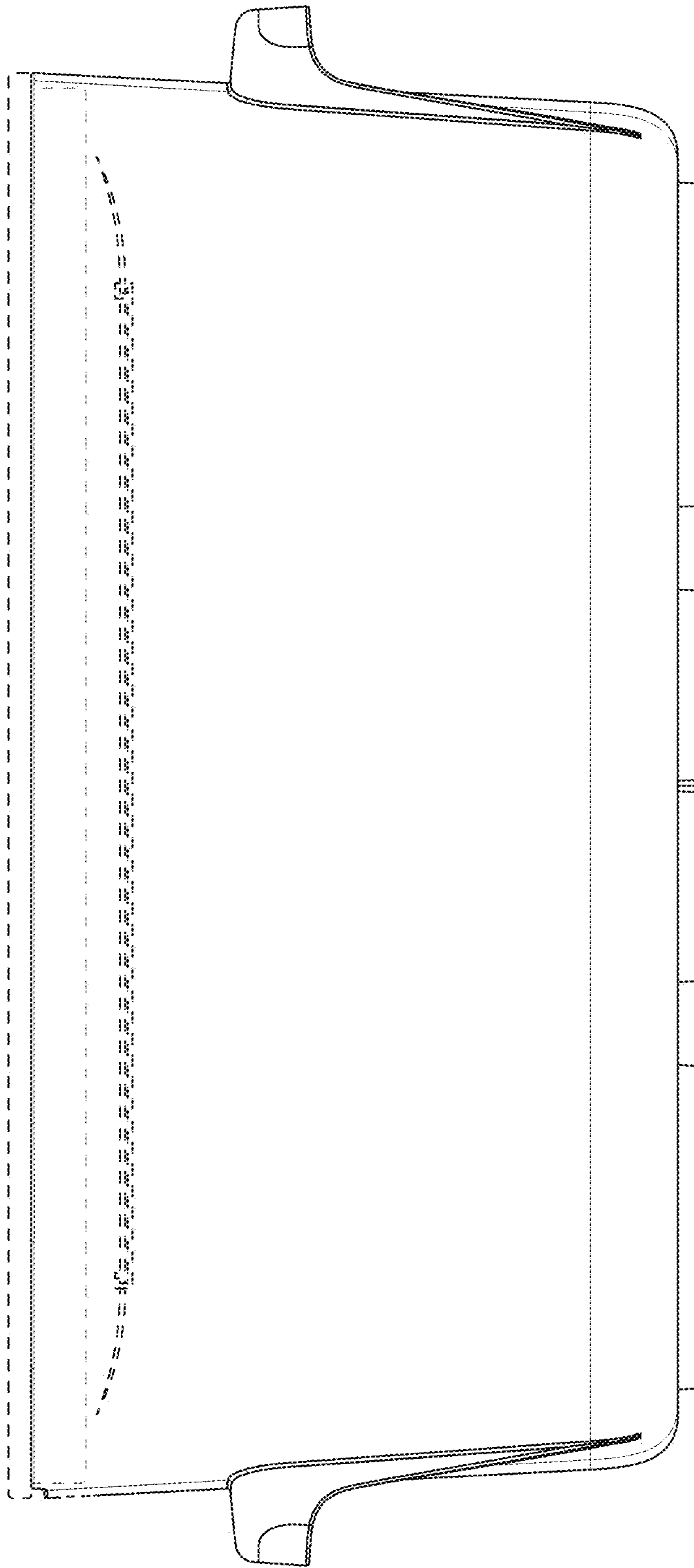


FIG. 5

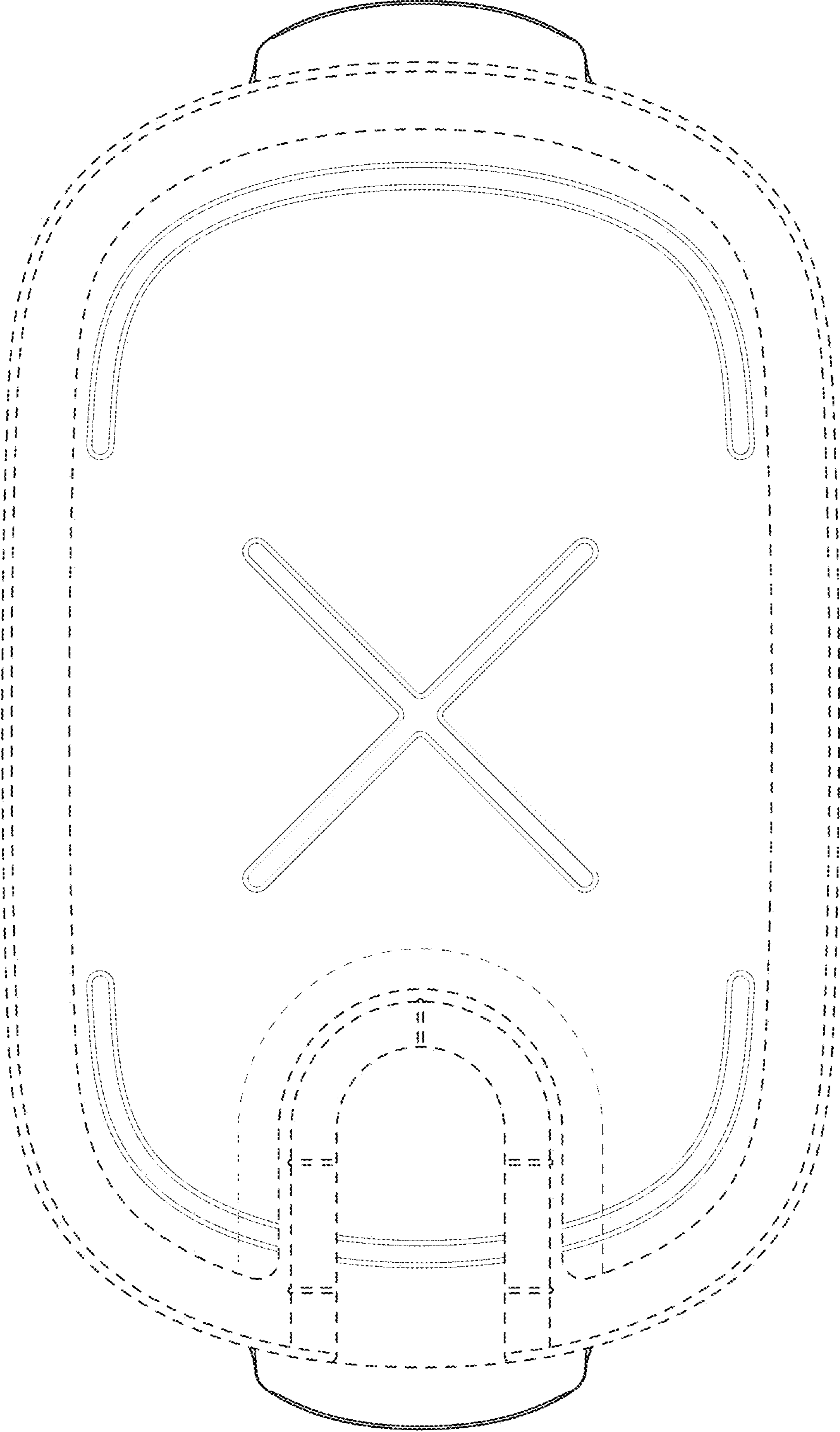


FIG. 6

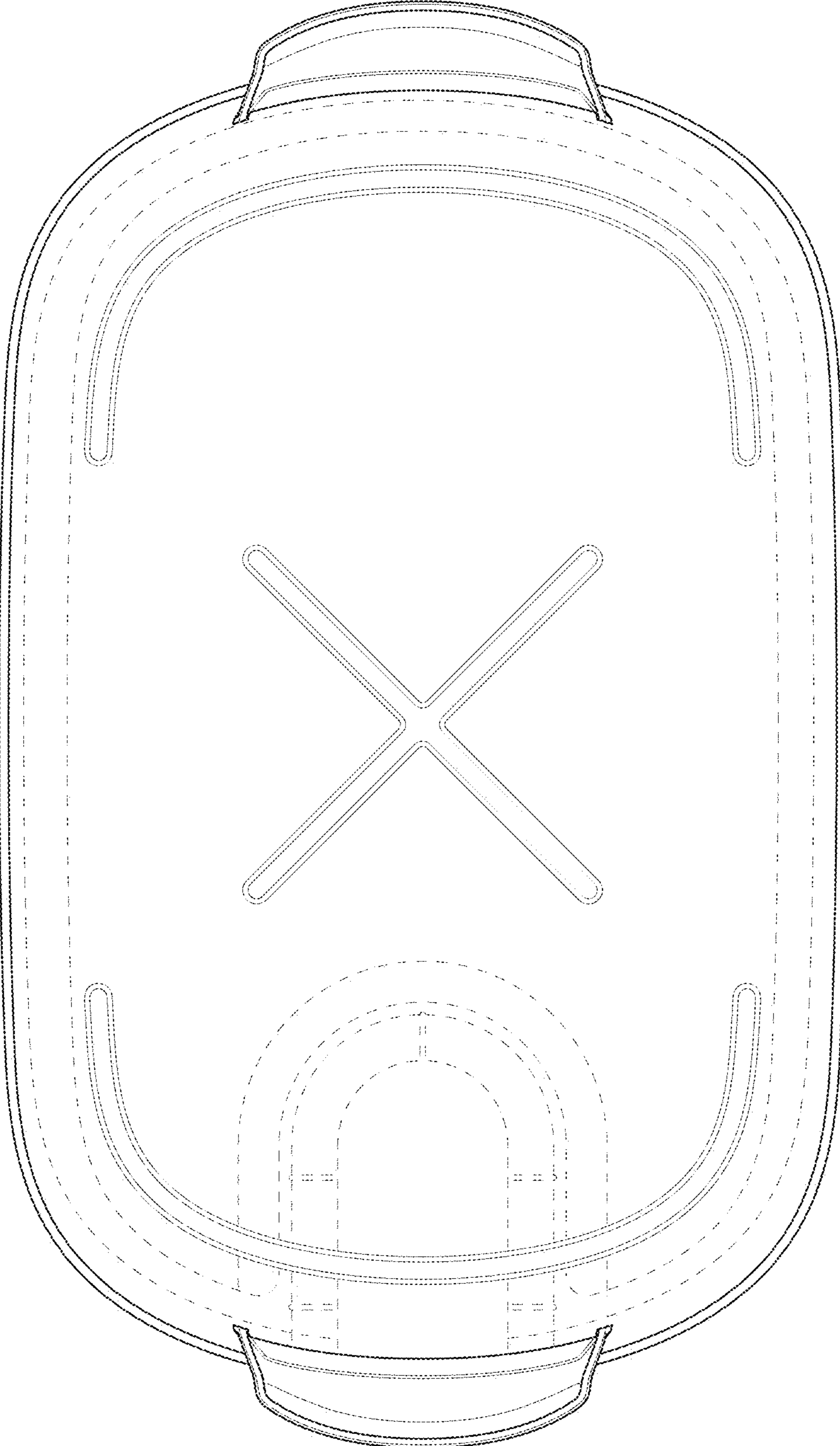


FIG. 7