



US00D950999S

(12) **United States Design Patent** (10) **Patent No.:** **US D950,999 S**
Wan (45) **Date of Patent:** **** May 10, 2022**

(54) **DRINKING STRAW**
(71) Applicant: **Chi Wing Don Wan**, Kowloon (HK)
(72) Inventor: **Chi Wing Don Wan**, Kowloon (HK)
(**) Term: **15 Years**

(21) Appl. No.: **29/728,696**
(22) Filed: **Mar. 20, 2020**

(30) **Foreign Application Priority Data**

Sep. 30, 2019 (HK) 1914751.9M001M003

(51) **LOC (13) Cl.** **07-06**

(52) **U.S. Cl.**
USPC **D7/300.2**

(58) **Field of Classification Search**
USPC D27/101; D7/300, 300.2, 301, 635;
D23/205, 209
CPC B65D 81/26; B65D 2517/0049; A47G
21/18; A47G 21/187; A61J 7/0038
See application file for complete search history.

(56) **References Cited**

U.S. PATENT DOCUMENTS

585,058 A * 6/1897 Stone A47G 21/18
138/115
3,456,344 A * 7/1969 Cornelius A47G 21/181
30/141
D772,379 S * 11/2016 Tadlock D23/209
10,197,210 B2 * 2/2019 Hoffman F16L 59/024
D902,637 S * 11/2020 Healey D7/300.2
2018/0352983 A1 * 12/2018 Allen A47G 21/18
2019/0380520 A1 * 12/2019 Wan A47G 21/18
2020/0154918 A1 * 5/2020 Kao A47G 21/18

2020/0163477 A1 * 5/2020 Fung A47G 21/18
2020/0323374 A1 * 10/2020 Wang A47G 21/18
2020/0359817 A1 * 11/2020 Zhang A47G 21/18
2020/0397168 A1 * 12/2020 Darrin A47G 21/18
2021/0037999 A1 2/2021 Salomaki et al.
2021/0093111 A1 * 4/2021 Peng A47G 21/18

OTHER PUBLICATIONS

G Mark website, Good Design Award 2020, Publication date unknown, [site visited Jun. 4, 2021], Available on the Internet URL <https://www.g-mark.org/award/describe/50124?locale=en> (Year: 2021).*

* cited by examiner

Primary Examiner — S. Bryan Reinholdt, Jr.

(74) *Attorney, Agent, or Firm* — Warner Norcross + Judd LLP

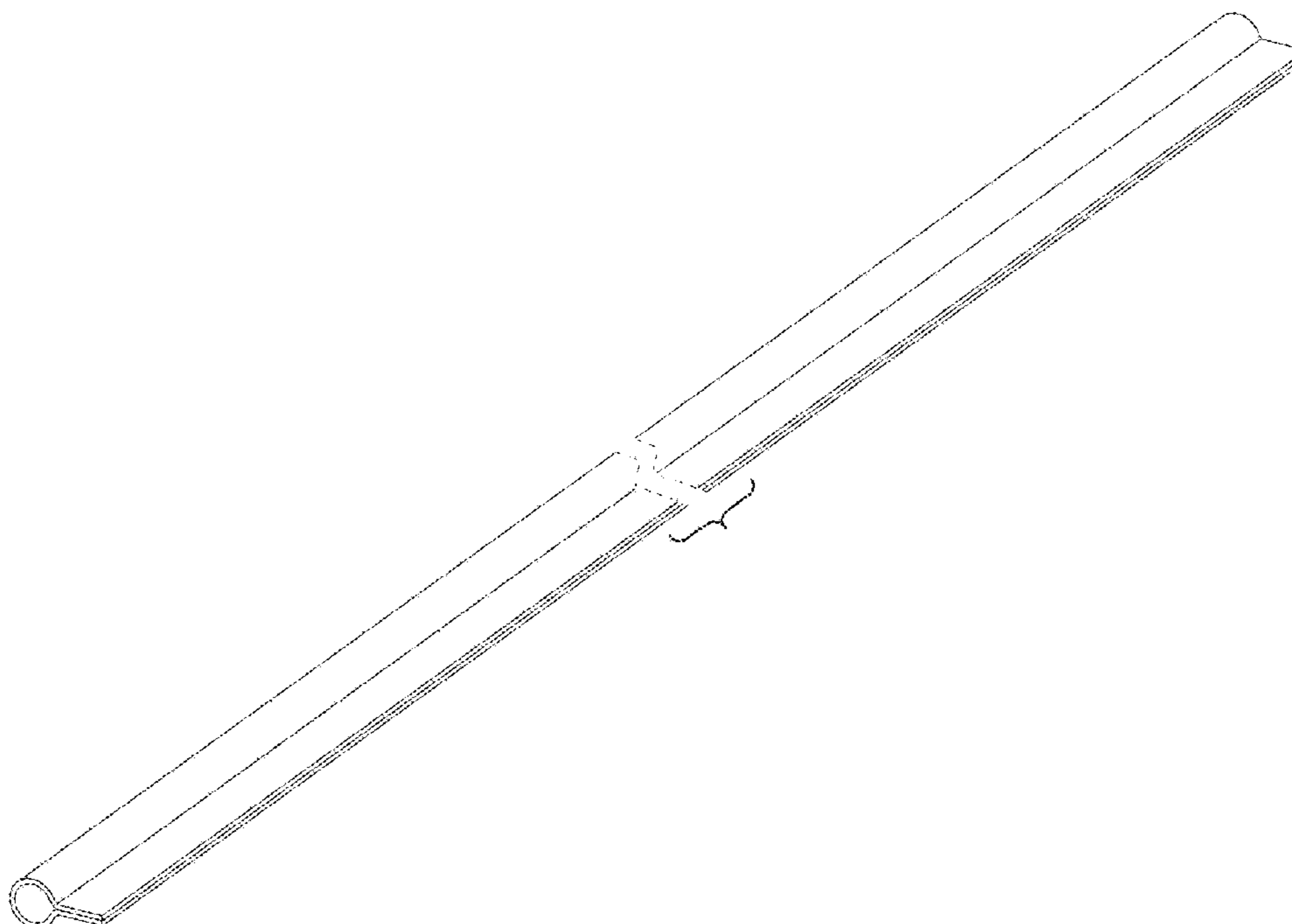
(57) **CLAIM**

The ornamental design for a drinking straw, as shown and described.

DESCRIPTION

FIG. 1 is a perspective view of the drinking straw embodying the new design;
FIG. 2 is an enlarged left view thereof;
FIG. 3 is an enlarged right view thereof;
FIG. 4 is a top view thereof;
FIG. 5 is a bottom view thereof;
FIG. 6 is a rear view thereof; and,
FIG. 7 is a front view thereof.
FIGS. 1-7 show the drinking straw includes a symbolic break along its length drawn in broken lines. The broken lines and the area between the break lines form no part of the claimed design.

1 Claim, 3 Drawing Sheets



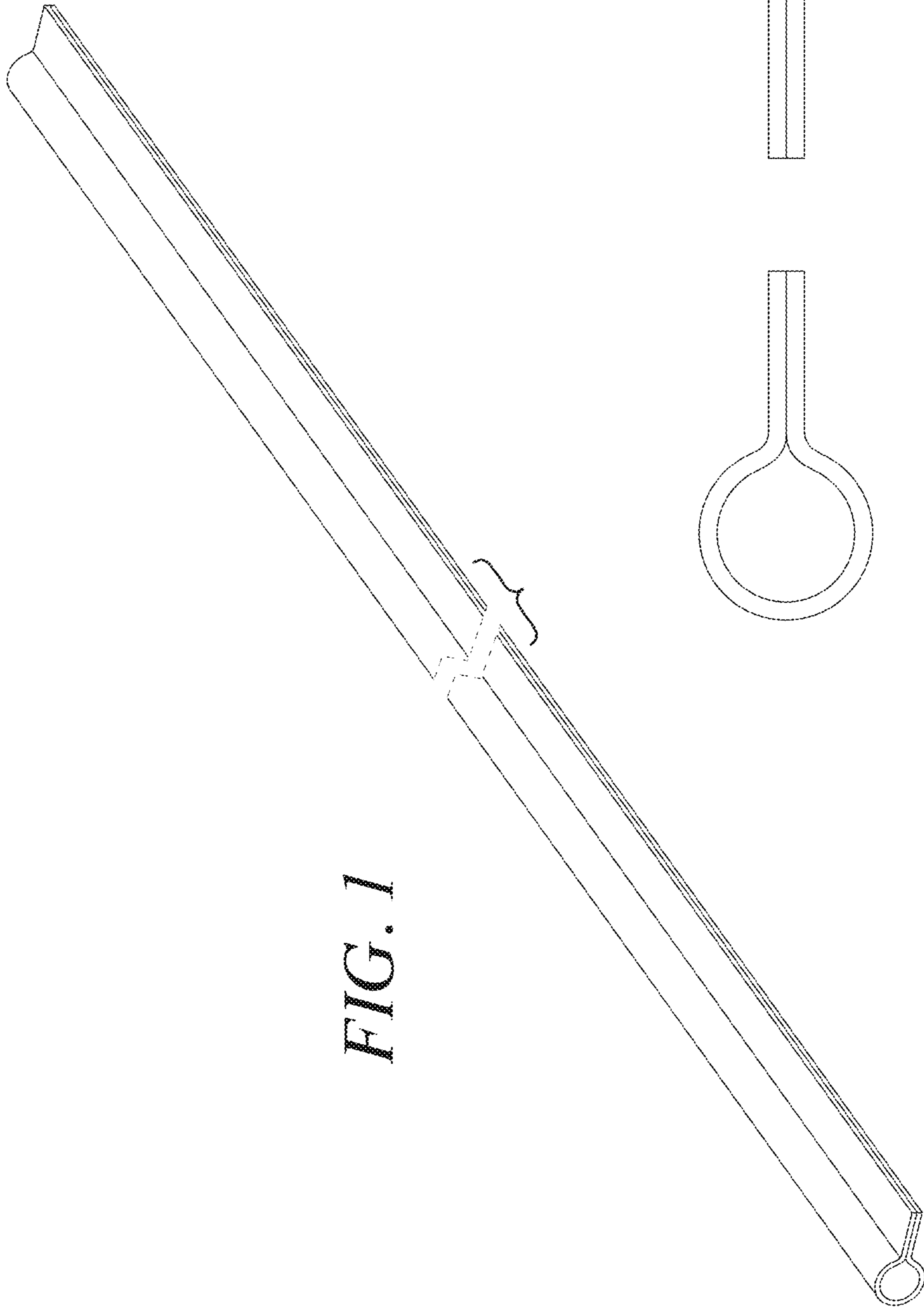


FIG. 1

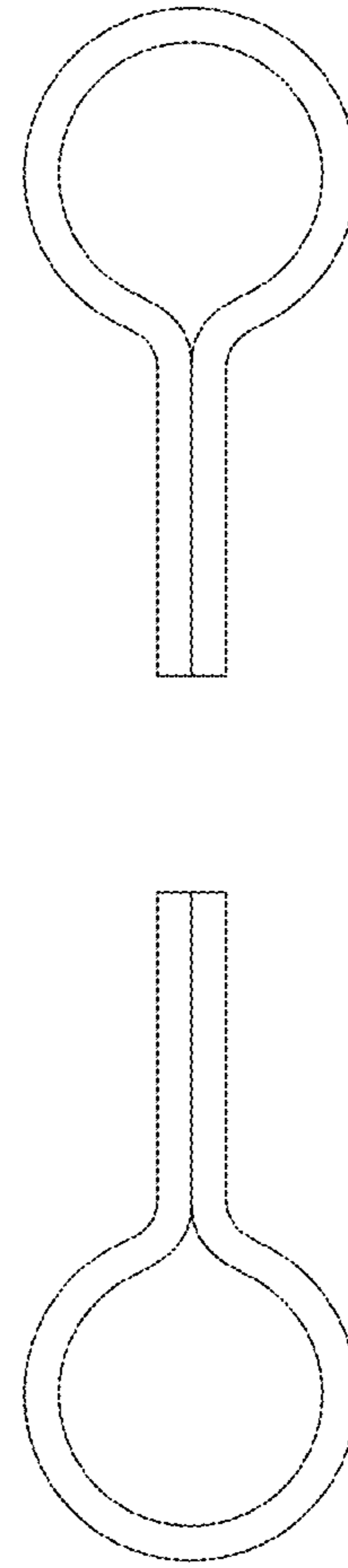


FIG. 2

FIG. 3

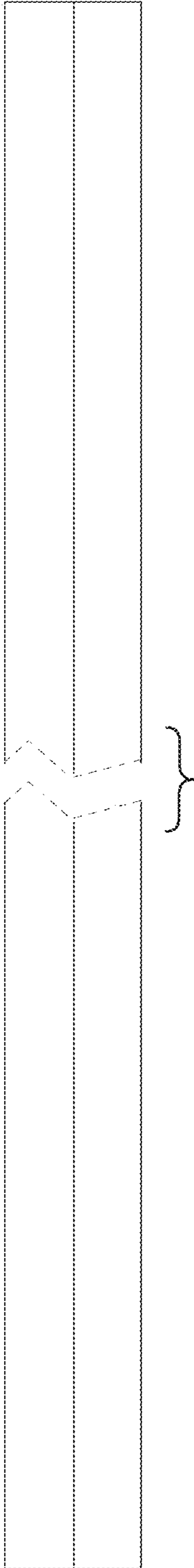


FIG. 4

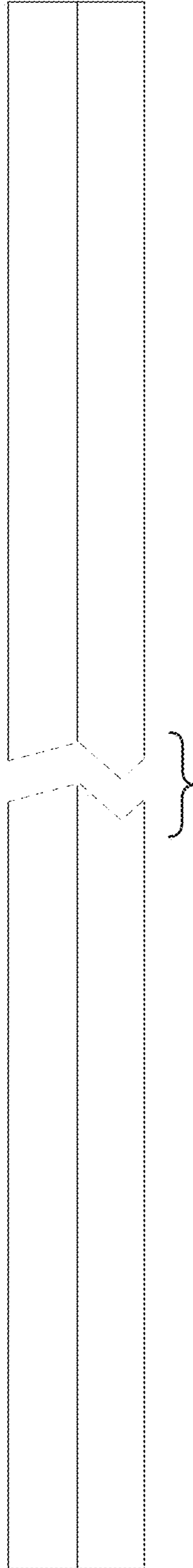


FIG. 5



FIG. 6

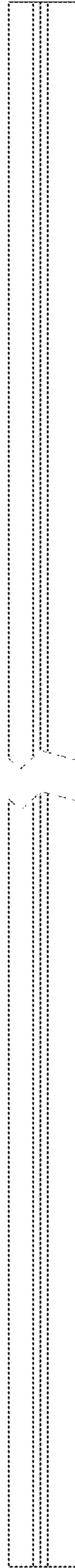


FIG. 7