



US00D950997S

(12) **United States Design Patent**
Liu

(10) **Patent No.:** **US D950,997 S**

(45) **Date of Patent:** **** May 10, 2022**

(54) **CHAIR**

(71) Applicant: **SHENZHEN BESTQI INNOVATION TECHNOLOGY CO., LTD**, Shenzhen (CN)

(72) Inventor: **Jiuju Liu**, Shenzhen (CN)

(73) Assignee: **SHENZHEN BESTQI INNOVATION TECHNOLOGY CO., LLD**, Shenzhen (CN)

(**) Term: **15 Years**

(21) Appl. No.: **29/763,193**

(22) Filed: **Dec. 21, 2020**

(51) **LOC (13) Cl.** **06-01**

(52) **U.S. Cl.**
USPC **D6/716**

(58) **Field of Classification Search**
USPC D6/334, 356, 366, 370, 380, 716, 716.4
CPC A47C 3/00; A47C 3/18; A47C 3/20; A47C 1/00; A47C 1/022; A47C 1/024; A47C 7/40; A47C 7/46; A47C 7/18; A47C 5/14
See application file for complete search history.

(56) **References Cited**

U.S. PATENT DOCUMENTS

D597,330 S	*	8/2009	Neil	D6/366
D782,239 S	*	3/2017	Tsai	D6/716.4
D859,866 S	*	9/2019	Wu	D6/366
D903,354 S	*	12/2020	Igarashi	D6/366
D920,696 S	*	6/2021	Su	D6/366

D929,165 S	*	8/2021	Guo	D6/716.4
D929,757 S	*	9/2021	Feng	D6/366
D929,784 S	*	9/2021	Su	D6/716.4
D935,819 S	*	11/2021	Wang	D6/716
D937,592 S	*	12/2021	Ni	D6/366
D937,593 S	*	12/2021	Ni	D6/366
D938,768 S	*	12/2021	Mezzera	D6/716
2016/0135603 A1	*	5/2016	Chan	A47C 7/44 297/285

FOREIGN PATENT DOCUMENTS

JP 2011092381 A * 5/2011

* cited by examiner

Primary Examiner — R. Johnson

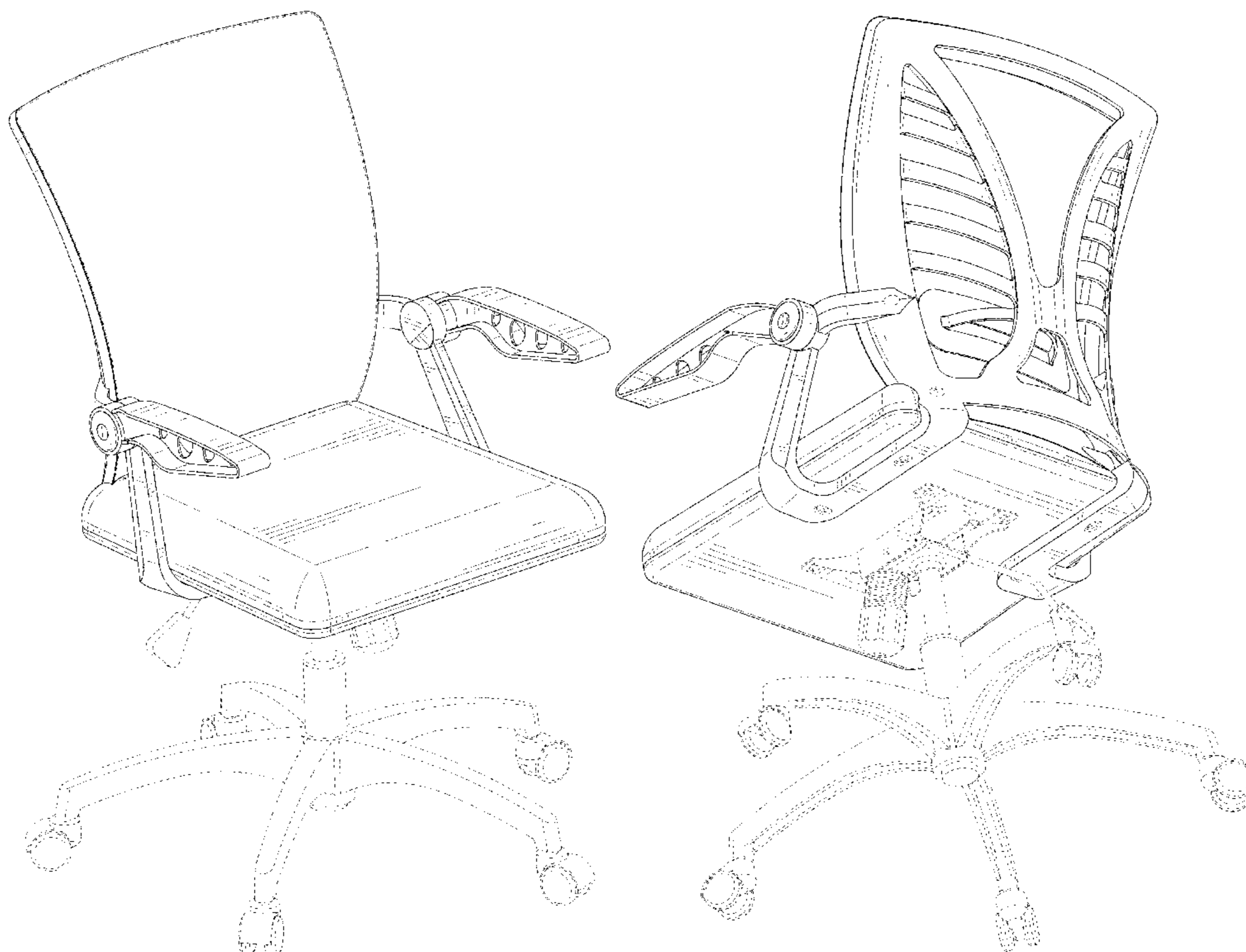
(57) **CLAIM**

The ornamental design for a chair, as shown and described.

DESCRIPTION

FIG. 1 is a perspective view of a chair showing my new design;
FIG. 2 is another perspective view thereof;
FIG. 3 is a front elevational view thereof;
FIG. 4 is a rear elevational view thereof;
FIG. 5 is a left side elevational view thereof;
FIG. 6 is a right side elevational view thereof;
FIG. 7 is a top plan view thereof; and,
FIG. 8 is a bottom plan view thereof.
The broken lines in the drawings depict portions of the chair that form no part of the claimed design.

1 Claim, 8 Drawing Sheets



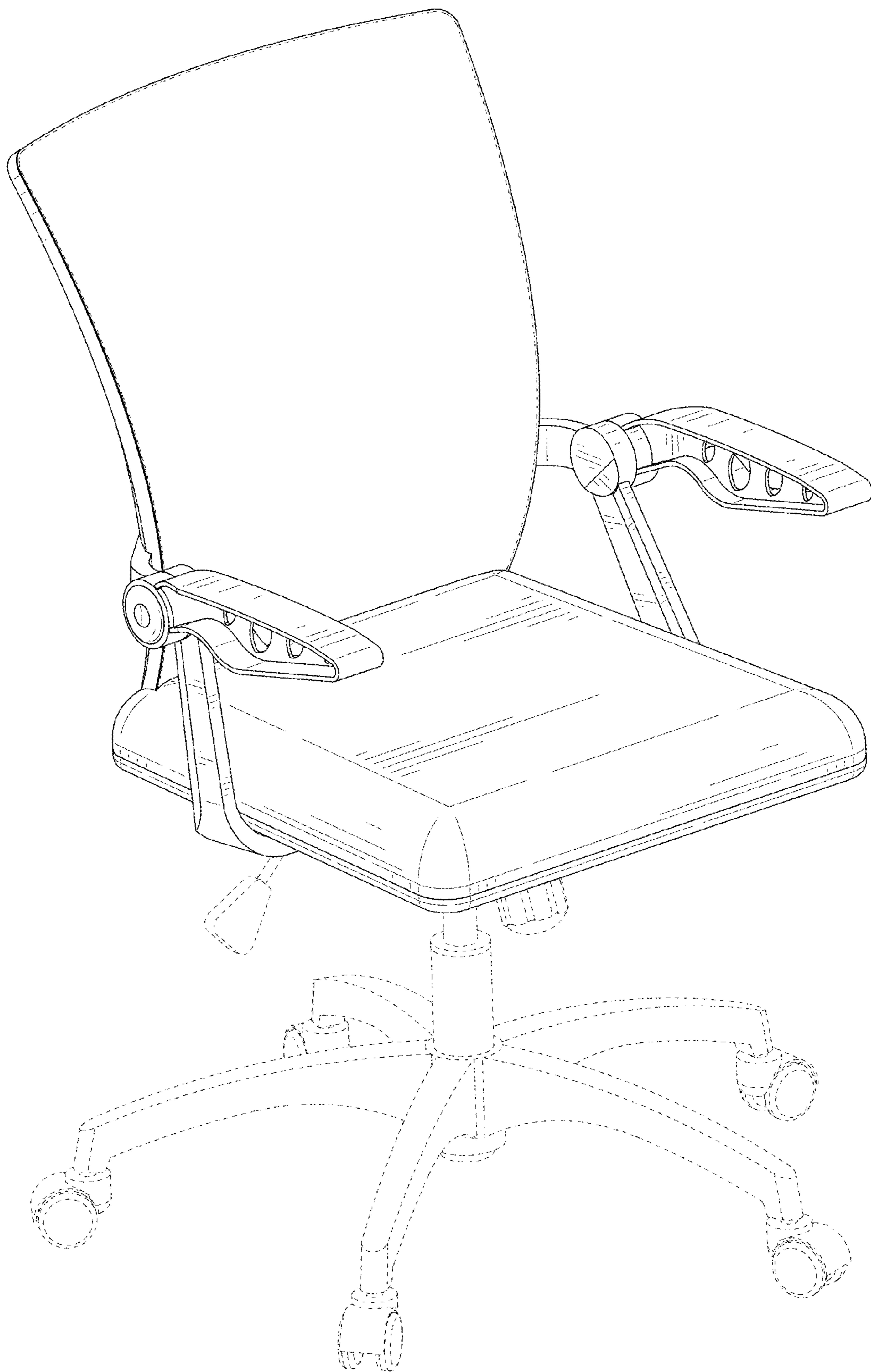


FIG. 1

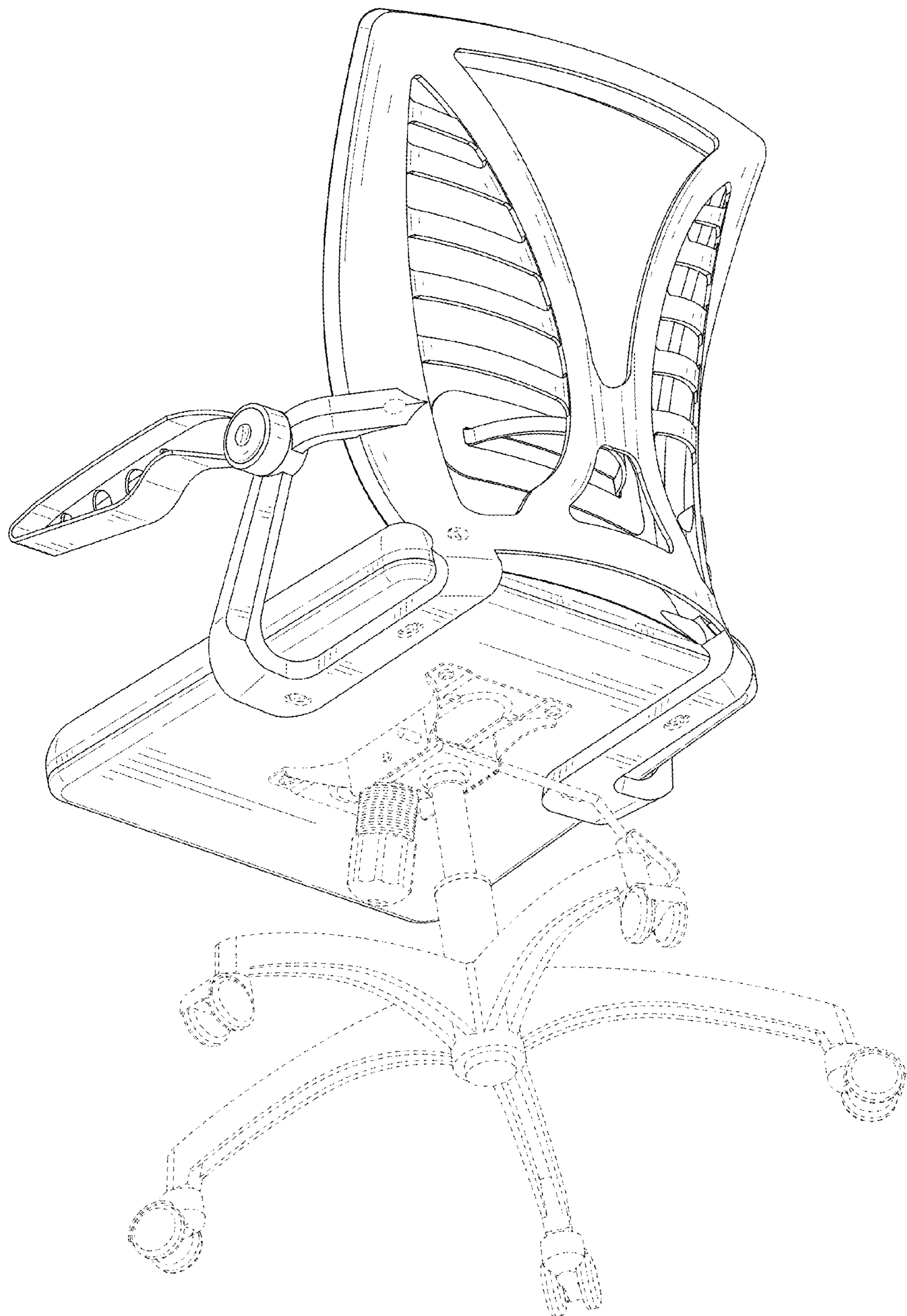


FIG. 2

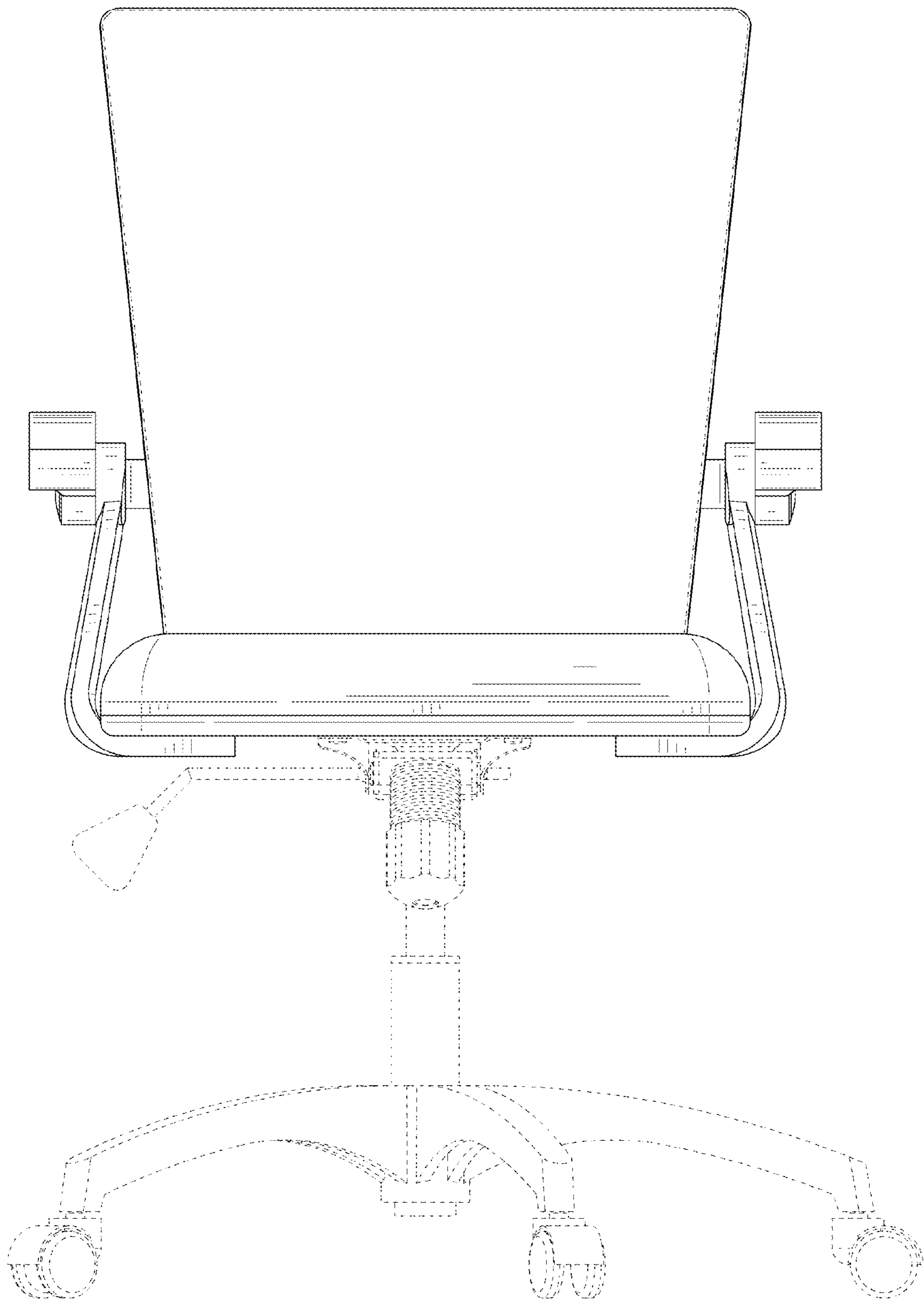


FIG. 3

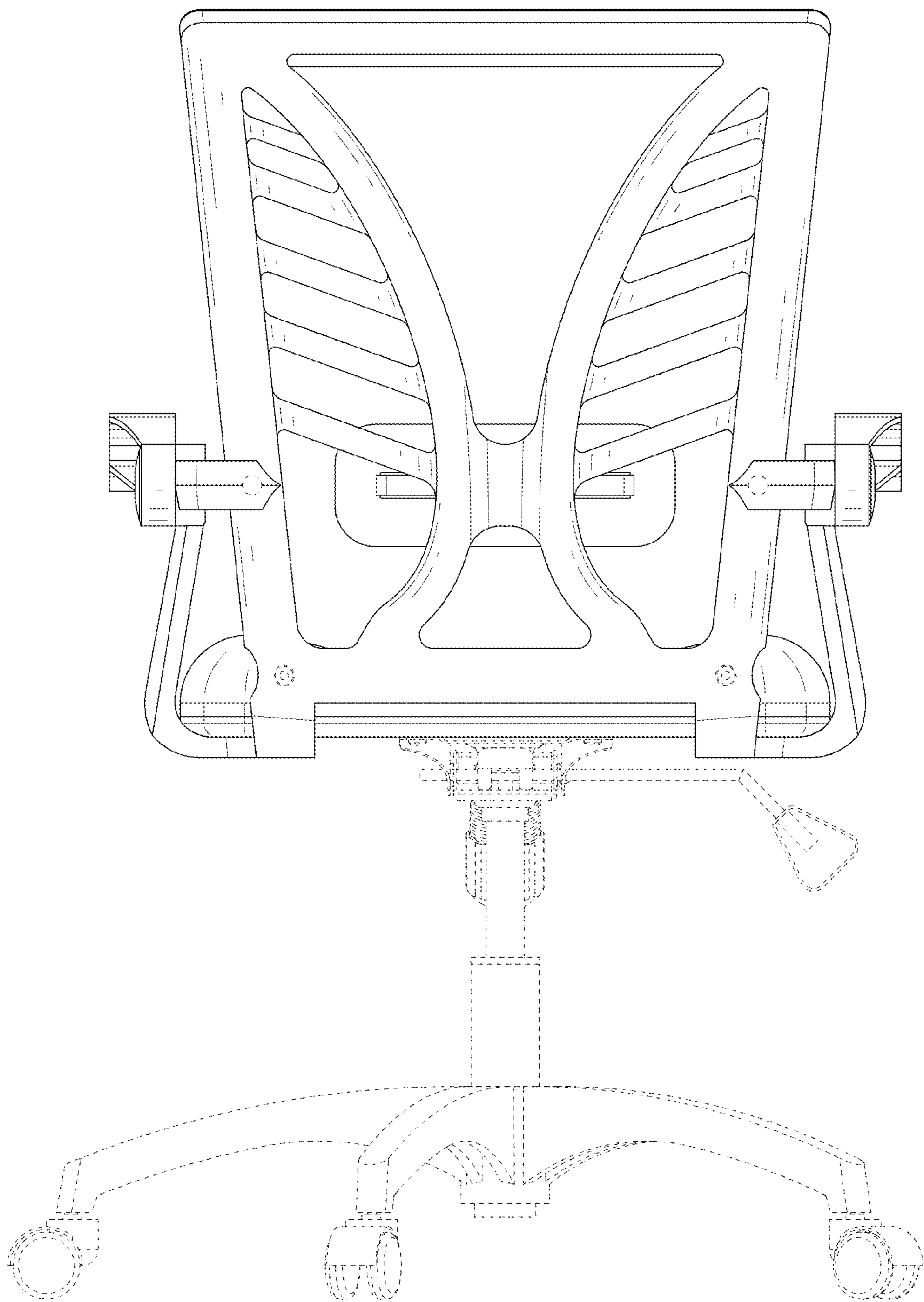


FIG. 4

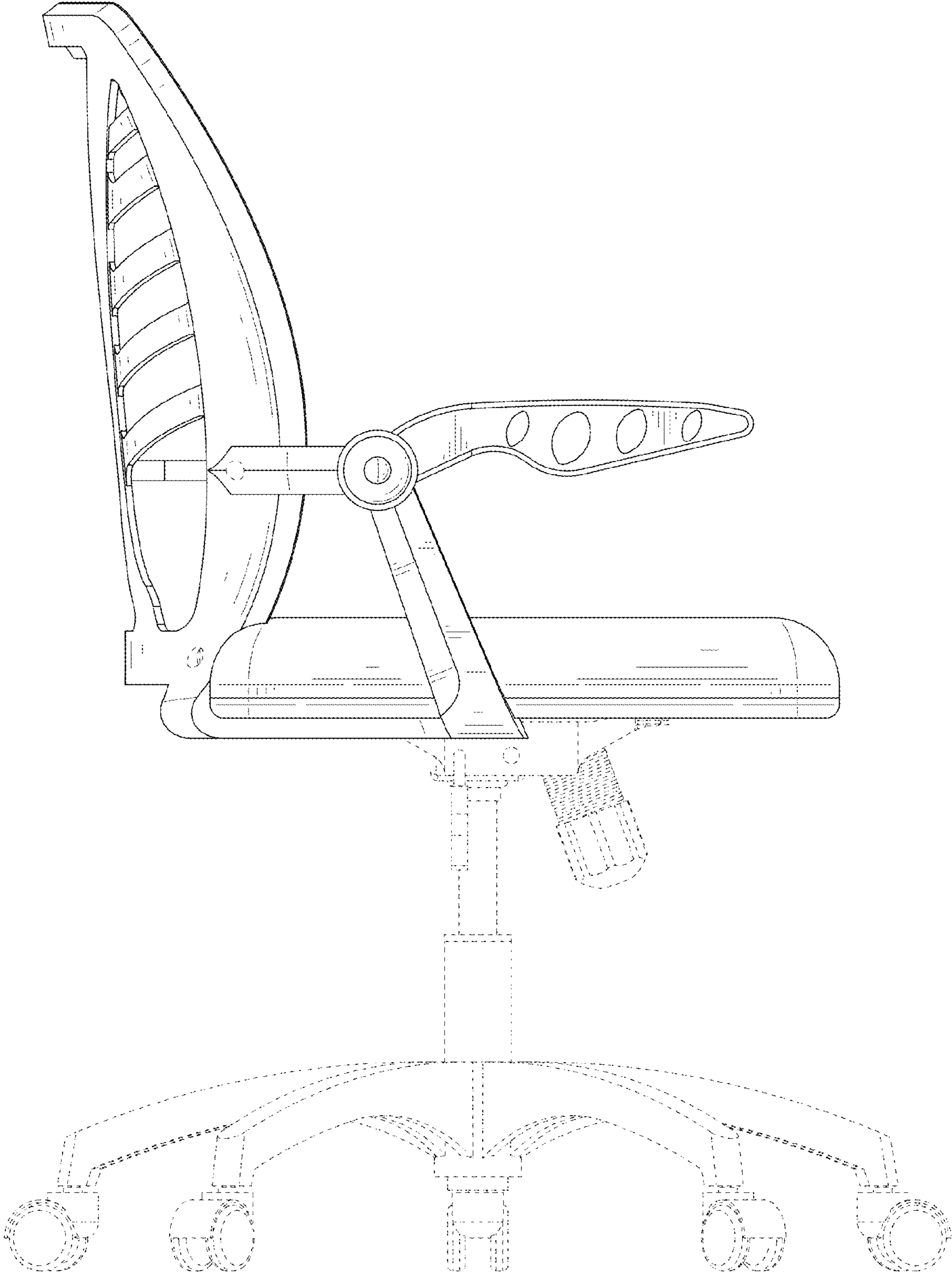


FIG. 5

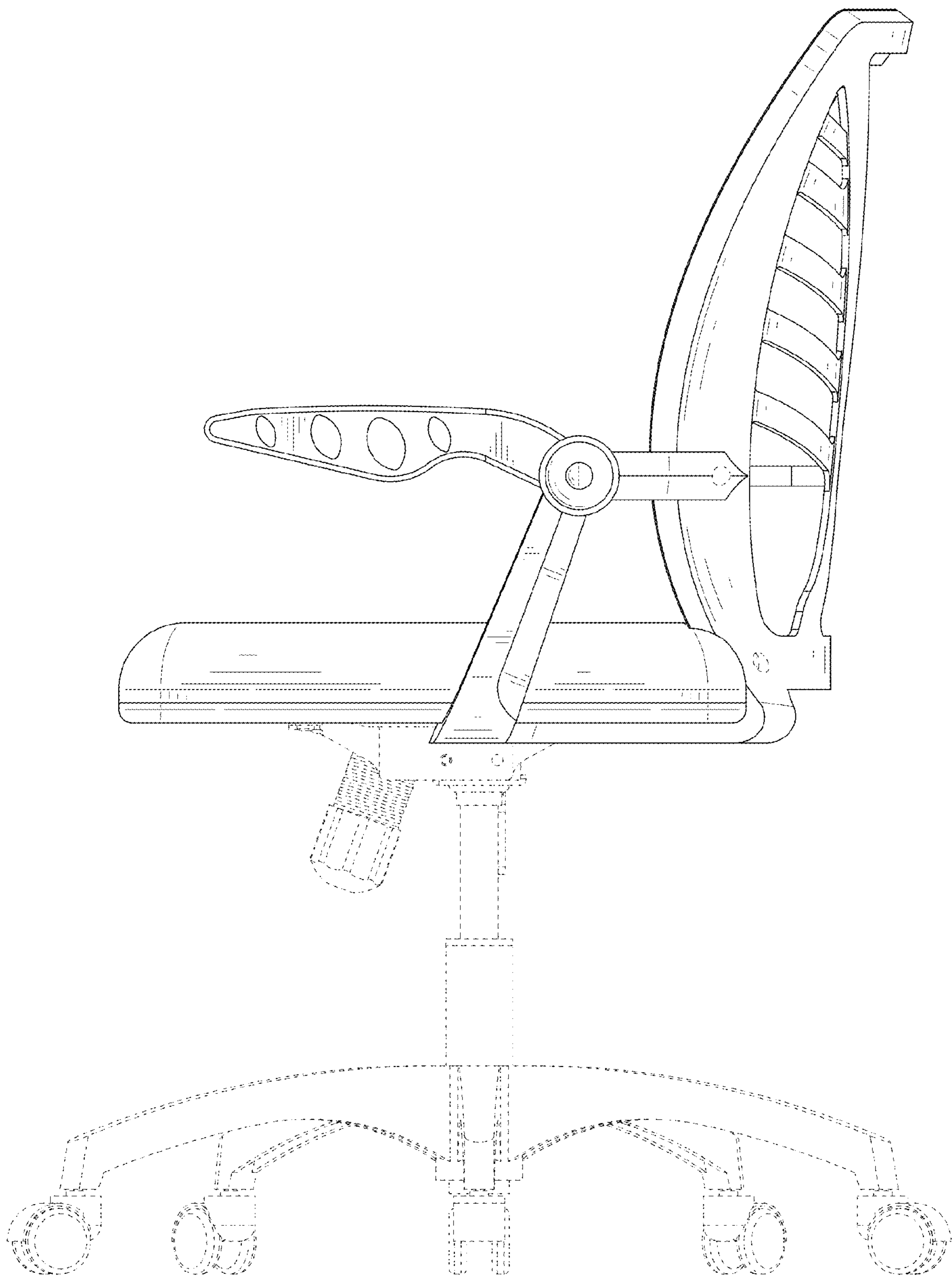


FIG. 6

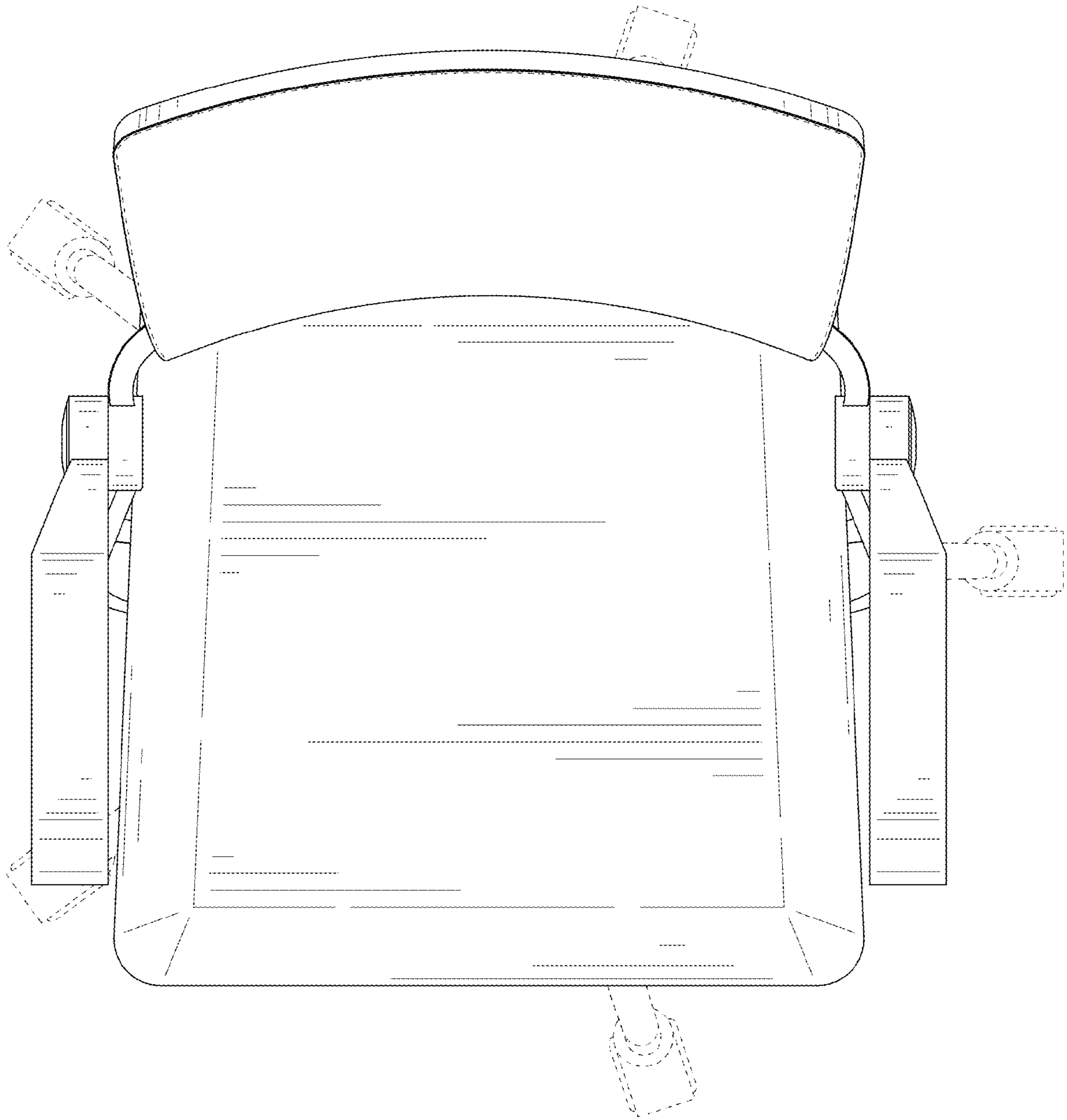


FIG. 7

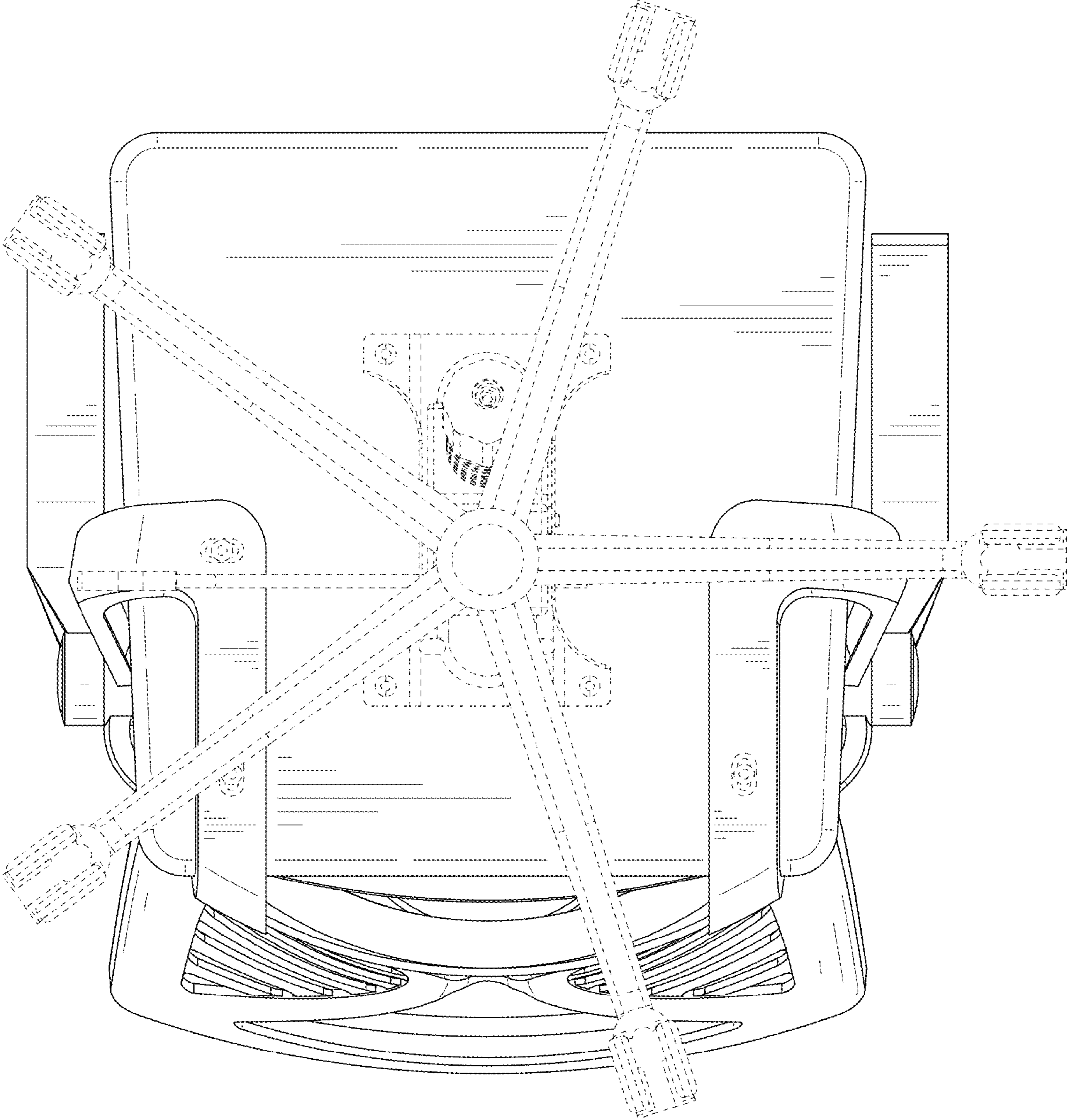


FIG. 8